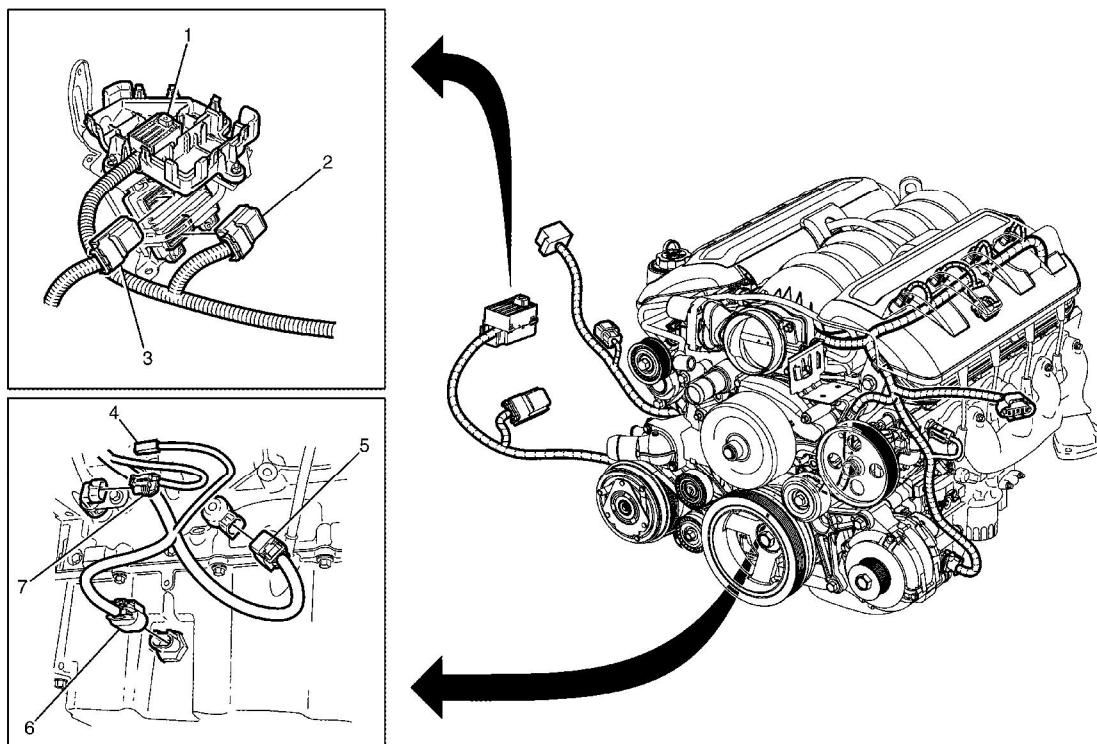


Engine and Transmission Harness (6.0L) - 4 of 7



- (1) Fuse Block Underhood -- X124
- (2) Engine Control Module 2 Connector -- A43-X2
- (3) Engine Control Module 1 Connector -- A43-X1
- (4) Starter Connector -- M15
- (5) Knock Sensor (KS) Right Connector -- B65
- (6) Engine Oil Level/Temperature Sensor Connector -- B41
- (7) Crankshaft Position (CKP) Sensor Connector -- B30