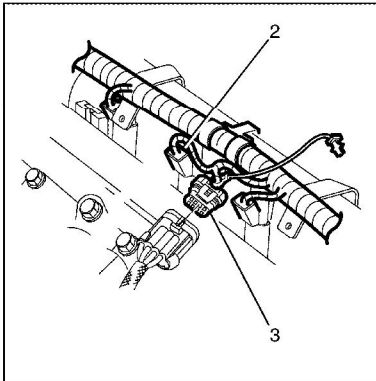
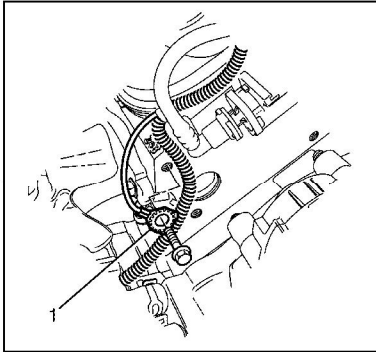


Engine and Transmission Harness (6.0L) - 7 of 7



- (1) Engine Block Ground -- G110
- (2) Fuel Injector (Odd) Connector -- L2
- (3) Ignition Coil (Even) Connector -- X112

