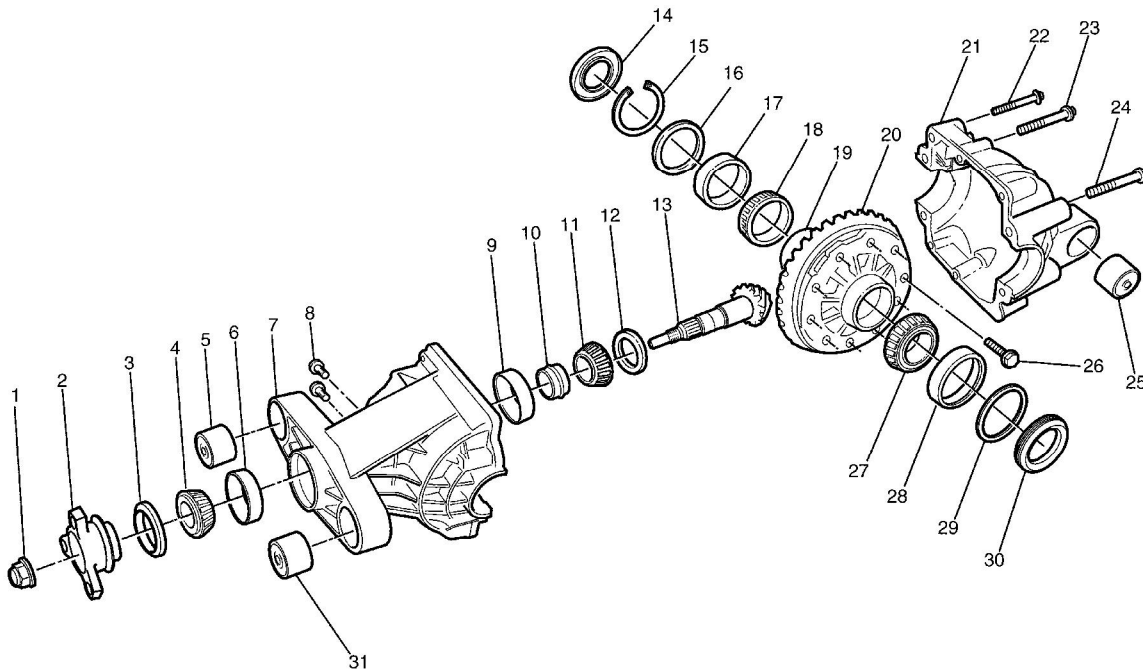


Rear Axle Disassembled Views

Differential



- (1) Prevailing Torque Pinion Flange Nut
- (2) Pinion Flange
- (3) Pinion Flange Oil Seal
- (4) Pinion Tail Bearing
- (5) Right Front Bushing
- (6) Pinion Tail Bearing Cup
- (7) Differential Housing
- (8) Drain/Fill Plugs
- (9) Pinion Head Bearing Cup
- (10) Collapsible Spacer
- (11) Pinion Head Bearing
- (12) Pinion Shim
- (13) Pinion Gear
- (14) Right Axle Shaft Seal
- (15) Circlip
- (16) Right Shim
- (17) Differential Bearing Cup

© 2011 General Motors Corporation. All rights reserved.

- (18) Differential Bearing
- (19) Differential Assembly
- (20) Ring Gear
- (21) Differential Housing Cover
- (22) Differential Retaining Bolt M10 (6x)
- (23) Differential Housing Bolt M14 x 135mm (2x)
- (24) Differential Housing Bolt M14 x 100mm (2x)
- (25) Rear Bushing
- (26) Ring Gear Bolts M12 (10x)
- (27) Differential Bearing
- (28) Differential Bearing Cup
- (29) Left Shim
- (30) Axle Shaft Seal
- (31) Left Front Bushing