

## Component Connector End Views

- Connector 1: [1-2 Shift Solenoid \(SS\) Valve](#)
- Connector 2: [3-4 Shift Solenoid \(SS\) Valve](#)
- Connector 3: [4-5 Shift Solenoid \(SS\) Valve](#)
- Connector 4: [A/C Compressor](#)
- Connector 5: [A/C Refrigerant Pressure Sensor](#)
- Connector 6: [Accelerator Pedal Position \(APP\) Sensor](#)
- Connector 7: [Accessory Power Outlet - Center Console Compartment](#)
- Connector 8: [Accessory Power Outlet - I/P](#)
- Connector 9: [Air Temperature Actuator \(C60\)](#)
- Connector 10: [Air Temperature Actuator - Left](#)
- Connector 11: [Air Temperature Actuator - Right](#)
- Connector 12: [Air Temperature Actuator - Auxiliary \(C63\)](#)
- Connector 13: [Air Temperature Sensor](#)
- Connector 14: [Air Temperature Sensor - Inside](#)
- Connector 15: [Alarm Module Connector](#)
- Connector 16: [Ambient Air Temperature Sensor](#)
- Connector 17: [Ambient Light Sensor \(C60\)](#)
- Connector 18: [Audio Amplifier \(UWP\)](#)
- Connector 19: [Audio Amplifier X1 \(UQ7 and LHD\)](#)
- Connector 20: [Audio Amplifier X1 \(UQ7 and RHD\)](#)
- Connector 21: [Audio Amplifier X2 \(UQ7 and LHD\)](#)
- Connector 22: [Audio Amplifier X2 \(UQ7 and RHD\)](#)
- Connector 23: [Audio Amplifier X3 \(LHD and UQ7\)](#)
- Connector 24: [Audio Amplifier X3 \(RHD and UQ7\)](#)
- Connector 25: [Automatic Transmission \(MYC\)](#)
- Connector 26: [Automatic Transmission \(M30 or M32\)](#)
- Connector 27: [Automatic Transmission Input Shaft Speed \(ISS\) Sensor](#)
- Connector 28: [Automatic Transmission Output Shaft Speed \(OSS\) Sensor](#)
- Connector 29: [Automatic Transmission Shift Lever](#)
- Connector 30: [Backup Lamp - Left](#)
- Connector 31: [Backup Lamp - Right](#)
- Connector 32: [Backup Lamp Switch \(M10 or MV5\)](#)
- Connector 33: [Battery \(-\)](#)
- Connector 34: [Battery \(+\)](#)
- Connector 35: [Battery Current Sensor](#)
- Connector 36: [Battery Voltage Gauge](#)
- Connector 37: [Blower Motor \(LHD\)](#)
- Connector 38: [Blower Motor \(RHD\)](#)
- Connector 39: [Blower Motor Control Module](#)
- Connector 40: [Bluetooth Connector](#)

- Connector 41: [Bluetooth Microphone](#)
- Connector 42: [Bluetooth Module](#)
- Connector 43: [Body Control Module \(BCM\) X1](#)
- Connector 44: [Body Control Module \(BCM\) X2](#)
- Connector 45: [Body Control Module \(BCM\) X3](#)
- Connector 46: [Body Control Module \(BCM\) X4](#)
- Connector 47: [Body Control Module \(BCM\) X5](#)
- Connector 48: [Body Control Module \(BCM\) X6](#)
- Connector 49: [Body Control Module \(BCM\) X7](#)
- Connector 50: [Brake Fluid Level Switch](#)
- Connector 51: [Brake Pedal Position \(BPP\) Sensor](#)
- Connector 52: [Camshaft Position \(CMP\) Actuator Solenoid Valve - Bank 1 Exhaust \(LY7\)](#)
- Connector 53: [Camshaft Position \(CMP\) Actuator Solenoid Valve - Bank 1 Intake \(LY7\)](#)
- Connector 54: [Camshaft Position \(CMP\) Actuator Solenoid Valve - Bank 2 Exhaust \(LY7\)](#)
- Connector 55: [Camshaft Position \(CMP\) Actuator Solenoid Valve - Bank 2 Intake \(LY7\)](#)
- Connector 56: [Camshaft Position \(CMP\) Sensor - Bank 1 Exhaust \(LY7\)](#)
- Connector 57: [Camshaft Position \(CMP\) Sensor - Bank 1 Intake \(LY7\)](#)
- Connector 58: [Camshaft Position \(CMP\) Sensor - Bank 2 Exhaust \(LY7\)](#)
- Connector 59: [Camshaft Position \(CMP\) Sensor - Bank 2 Intake \(LY7\)](#)
- Connector 60: [Camshaft Position \(CMP\) Sensor \(LS2 or HSV or L98\)](#)
- Connector 61: [Center Console Compartment Lamp X1](#)
- Connector 62: [Center Console Compartment Lamp X2](#)
- Connector 63: [Center Console Compartment Lamp Switch X1](#)
- Connector 64: [Center Console Compartment Lamp Switch X2](#)
- Connector 65: [Center High Mounted Stop Lamp \(CHMSL\)](#)
- Connector 66: [Clutch Pedal Position \(CPP\) Switch](#)
- Connector 67: [Clutch Safety Switch \(not an approved name\)](#)
- Connector 68: [Clutch Start Switch](#)
- Connector 69: [Courtesy Lamp - Left Footwell](#)
- Connector 70: [Courtesy Lamp - Right Footwell](#)
- Connector 71: [Cruise Control Clutch Pedal Release Switch](#)
- Connector 72: [Crankshaft Position \(CKP\) Sensor \(LY7\)](#)
- Connector 73: [Crankshaft Position \(CKP\) Sensor \(without LY7\)](#)
- Connector 74: [Data Link Connector \(DLC\)](#)
- Connector 75: [Data Link Resistor](#)
- Connector 76: [Diagnostic Connector \(LPG\)](#)
- Connector 77: [Digital Radio Receiver \(U2K\)](#)
- Connector 78: [Digital Video Disc \(DVD\) Control Module X1](#)
- Connector 79: [Digital Video Disc \(DVD\) Control Module X2](#)
- Connector 80: [Digital Video Disc \(DVD\) Control Module X3](#)
- Connector 81: [Digital Video Disc \(DVD\) Control Module X4](#)
- Connector 82: [Digital Video Disc \(DVD\) Control Module X5](#)
- Connector 83: [Digital Video Disc \(DVD\) Control Module X6](#)
- Connector 84: [Digital Video Disc \(DVD\) Control Module X7](#)
- Connector 85: [Digital Video Disc \(DVD\) Control Module X8](#)

- Connector 86: [Digital Video Disc \(DVD\) Display X1](#)
- Connector 87: [Digital Video Disc \(DVD\) Display X2](#)
- Connector 88: [Digital Video Disc \(DVD\) Player X1](#)
- Connector 89: [Digital Video Disc \(DVD\) Player X2](#)
- Connector 90: [Disable Switch](#)
- Connector 91: [Dome Lamp \(without TRV\)](#)
- Connector 92: [Dome/Reading Lamps - Front \(C74 without 9C1\)](#)
- Connector 93: [Dome/Reading Lamps \(9C1\)](#)
- Connector 94: [Dome/Reading Lamps - Rear \(TRV\)](#)
- Connector 95: [Dome/Reading Lamps - Rear \(without TRV\)](#)
- Connector 96: [Door Courtesy Lamp - Driver X1](#)
- Connector 97: [Door Courtesy Lamp - Driver X2](#)
- Connector 98: [Door Courtesy Lamp - Left Rear X1](#)
- Connector 99: [Door Courtesy Lamp - Left Rear X2](#)
- Connector 100: [Door Courtesy Lamp - Passenger X1](#)
- Connector 101: [Door Courtesy Lamp - Passenger X2](#)
- Connector 102: [Door Courtesy Lamp - Right Rear X1](#)
- Connector 103: [Door Courtesy Lamp - Right Rear X2](#)
- Connector 104: [Door Latch - Driver](#)
- Connector 105: [Door Latch - Left Rear](#)
- Connector 106: [Door Latch - Passenger](#)
- Connector 107: [Door Latch - Right Rear](#)
- Connector 108: [Door Lock/Window Switch X1](#)
- Connector 109: [Door Lock/Window Switch X2](#)
- Connector 110: [Driver Information Center \(DIC\) \(ERG\)](#)
- Connector 111: [Driver Information Center \(DIC\) \(without ERG\)](#)
- Connector 112: [Driving Lamp - Left \(HSV or VXR8\)](#)
- Connector 113: [Driving Lamp - Right \(HSV or VXR8\)](#)
- Connector 114: [Driving Lamp - HSVDR 1 \(HSV or VXR8\)](#)
- Connector 115: [Electronic Brake Control Module \(EBCM\) \(JL4\)](#)
- Connector 116: [Electronic Brake Control Module \(EBCM\) \(JL9\)](#)
- Connector 117: [Electronic Suspension Control \(ESC\) Switch \(HSV\)](#)
- Connector 118: [Electronic Suspension Control \(ESC\) Module \(HSV\)](#)
- Connector 119: [Engine Control Module \(ECM\) \(L98 or HSV or LS2\) X1](#)
- Connector 120: [Engine Control Module \(ECM\) \(L98 or HSV or LS2\) X2](#)
- Connector 121: [Engine Control Module \(ECM\) \(LY7\) X1](#)
- Connector 122: [Engine Control Module \(ECM\) \(LY7\) X2](#)
- Connector 123: [Engine Coolant Temperature \(ECT\) Sensor \(L98 or HSV\)](#)
- Connector 124: [Engine Coolant Temperature \(ECT\) Sensor \(LY7\)](#)
- Connector 125: [Engine Cooling Fan - Left](#)
- Connector 126: [Engine Cooling Fan - Right](#)
- Connector 127: [Engine Oil Level and Temperature Sensor](#)
- Connector 128: [Engine Oil Pressure \(EOP\) Sensor](#)
- Connector 129: [Evaporative Emission \(EVAP\) Canister Purge Solenoid Valve \(L98 or HSV\)](#)
- Connector 130: [Evaporative Emission \(EVAP\) Canister Purge Solenoid Valve \(LY7\)](#)

- Connector 131: [Evaporative Emission \(EVAP\) Canister Vent Solenoid Valve](#)
- Connector 132: [Fog Lamp - Left Front](#)
- Connector 133: [Fog Lamp - Rear \(T79\)](#)
- Connector 134: [Fog Lamp - Right Front](#)
- Connector 135: [Front and Rear Object Alarm Module X1](#)
- Connector 136: [Front and Rear Object Alarm Module X2](#)
- Connector 137: [Front and Rear Object Alarm Module X3](#)
- Connector 138: [Front and Rear Object Alarm](#)
- Connector 139: [Fuel Door Release Actuator](#)
- Connector 140: [Fuel Injector 1 \(LY7\)](#)
- Connector 141: [Fuel Injector 1 \(L98 or HSV\)](#)
- Connector 142: [Fuel Injector 2 \(LY7\)](#)
- Connector 143: [Fuel Injector 2 \(L98 or HSV\)](#)
- Connector 144: [Fuel Injector 3 \(LY7\)](#)
- Connector 145: [Fuel Injector 3 \(L98 or HSV\)](#)
- Connector 146: [Fuel Injector 4 \(LY7\)](#)
- Connector 147: [Fuel Injector 4 \(L98 or HSV\)](#)
- Connector 148: [Fuel Injector 5 \(LY7\)](#)
- Connector 149: [Fuel Injector 5 \(L98 or HSV\)](#)
- Connector 150: [Fuel Injector 6 \(LY7\)](#)
- Connector 151: [Fuel Injector 6 \(L98 or HSV\)](#)
- Connector 152: [Fuel Injector 7 \(L98 or HSV\)](#)
- Connector 153: [Fuel Injector 8 \(L98 or HSV\)](#)
- Connector 154: [Fuel Level Sensor - Secondary](#)
- Connector 155: [Fuel Tank Pressure \(FTP\) Sensor](#)
- Connector 156: [Fuel Pump and Sender Assembly](#)
- Connector 157: [Generator X1 \(L76\)](#)
- Connector 158: [Generator X1 \(LY7\)](#)
- Connector 159: [Generator X2](#)
- Connector 160: [Headlamp and Panel Dimmer Switch](#)
- Connector 161: [Headlamp - Left](#)
- Connector 162: [Headlamp - Right](#)
- Connector 163: [Headlamp Washer Fluid Pump](#)
- Connector 164: [Heated Oxygen Sensor \(HO2S\) Bank 1 Sensor 1 \(LY7\)](#)
- Connector 165: [Heated Oxygen Sensor \(HO2S\) Bank 1 Sensor 1 \(L98 or HSV\)](#)
- Connector 166: [Heated Oxygen Sensor \(HO2S\) Bank 1 Sensor 2 \(LY7\)](#)
- Connector 167: [Heated Oxygen Sensor \(HO2S\) Bank 1 Sensor 2 \(L98 or HSV or LS2\)](#)
- Connector 168: [Heated Oxygen Sensor \(HO2S\) Bank 2 Sensor 1 \(LY7\)](#)
- Connector 169: [Heated Oxygen Sensor \(HO2S\) Bank 2 Sensor 1 \(L98 or HSV\)](#)
- Connector 170: [Heated Oxygen Sensor \(HO2S\) Bank 2 Sensor 2 \(LY7\)](#)
- Connector 171: [Heated Oxygen Sensor \(HO2S\) Bank 2 Sensor 2 \(L98 or HSV\)](#)
- Connector 172: [Heated Seat Control Module - Driver \(KA1\)](#)
- Connector 173: [Heated Seat Control Module - Passenger \(KA1\)](#)
- Connector 174: [Hood Ajar Switch](#)
- Connector 175: [Horn - Left X1](#)

- Connector 176: [Horn - Left X2](#)
- Connector 177: [Horn - Right X1](#)
- Connector 178: [Horn - Right X2](#)
- Connector 179: [HVAC Control Module X1 \(LHD\)](#)
- Connector 180: [HVAC Control Module X1 \(RHD\)](#)
- Connector 181: [HVAC Control Module X2 \(LHD\)](#)
- Connector 182: [HVAC Control Module X3 \(RHD\)](#)
- Connector 183: [HVAC Control Module \(RHD\) X4](#)
- Connector 184: [HVAC Control Module \(RHD\) X5](#)
- Connector 185: [Ignition Coil 1 \(LY7\)](#)
- Connector 186: [Ignition Coil 1 \(L98 or HSV\)](#)
- Connector 187: [Ignition Coil 2 \(LY7\)](#)
- Connector 188: [Ignition Coil 2 \(L98 or HSV\)](#)
- Connector 189: [Ignition Coil 3 \(LY7\)](#)
- Connector 190: [Ignition Coil 3 \(L98 or HSV\)](#)
- Connector 191: [Ignition Coil 4 \(LY7\)](#)
- Connector 192: [Ignition Coil 4 \(L98 or HSV\)](#)
- Connector 193: [Ignition Coil 5 \(LY7\)](#)
- Connector 194: [Ignition Coil 5 \(L98 or HSV\)](#)
- Connector 195: [Ignition Coil 6 \(LY7\)](#)
- Connector 196: [Ignition Coil 6 \(L98 or HSV\)](#)
- Connector 197: [Ignition Coil 7 \(L98 or HSV\)](#)
- Connector 198: [Ignition Coil 8 \(L98 or HSV\)](#)
- Connector 199: [Ignition Key Cylinder Lamp](#)
- Connector 200: [Ignition Lock Cylinder Control Solenoid](#)
- Connector 201: [Ignition Switch](#)
- Connector 202: [Inflatable Restraint Front End Sensor - Left](#)
- Connector 203: [Inflatable Restraint Front End Sensor - Right](#)
- Connector 204: [Inflatable Restraint Front Passenger Presence System \(PPS\) Module X1](#)
- Connector 205: [Inflatable Restraint Front Passenger Presence System \(PPS\) Module X2](#)
- Connector 206: [Inflatable Restraint I/P Module X1](#)
- Connector 207: [Inflatable Restraint I/P Module X2](#)
- Connector 208: [Inflatable Restraint Roof Rail Module - Left](#)
- Connector 209: [Inflatable Restraint Roof Rail Module - Right](#)
- Connector 210: [Inflatable Restraint Seat Position Sensor - Driver](#)
- Connector 211: [Inflatable Restraint Seat Position Sensor - Passenger](#)
- Connector 212: [Inflatable Restraint Sensing and Diagnostic Module \(SDM\) X1](#)
- Connector 213: [Inflatable Restraint Sensing and Diagnostic Module \(SDM\) X2](#)
- Connector 214: [Inflatable Restraint Side Impact Module - Left X1](#)
- Connector 215: [Inflatable Restraint Side Impact Module - Left X2](#)
- Connector 216: [Inflatable Restraint Side Impact Module - Right X1](#)
- Connector 217: [Inflatable Restraint Side Impact Module - Right X2](#)
- Connector 218: [Inflatable Restraint Side Impact Sensor \(SIS\) - Left](#)
- Connector 219: [Inflatable Restraint Side Impact Sensor \(SIS\) - Right](#)
- Connector 220: [Inflatable Restraint Steering Wheel Module Coil X1](#)

**Connector** 221: [Inflatable Restraint Steering Wheel Module Coil X2 \(RHD\)](#)  
**Connector** 222: [Inflatable Restraint Steering Wheel Module Coil X2 \(LHD\)](#)  
**Connector** 223: [Inflatable Restraint Steering Wheel Module X1](#)  
**Connector** 224: [Inflatable Restraint Steering Wheel Module X2](#)  
**Connector** 225: [Inside Rearview Mirror \(ISRVM\) \(UE1\)](#)  
**Connector** 226: [Inside Rearview Mirror \(ISRVM\) \(without UE1\)](#)  
**Connector** 227: [Instrument Panel Cluster](#)  
**Connector** 228: [I/P Compartment Lamp X1](#)  
**Connector** 229: [I/P Compartment Lamp X2](#)  
**Connector** 230: [I/P Compartment Lamp Switch X1](#)  
**Connector** 231: [I/P Compartment Lamp Switch X2](#)  
**Connector** 232: [Intake Manifold Tuning \(IMT\) Solenoid Valve \(LY7\)](#)  
**Connector** 233: [Internal Mode Switch \(IMS\)](#)  
**Connector** 234: [Knock Sensor \(KS\) 1 \(LY7\)](#)  
**Connector** 235: [Knock Sensor \(KS\) 1 \(L98 or HSV\)](#)  
**Connector** 236: [Knock Sensor \(KS\) 2 \(LY7\)](#)  
**Connector** 237: [Knock Sensor \(KS\) 2 \(L98 or HSV\)](#)  
**Connector** 238: [License Lamp - Left](#)  
**Connector** 239: [License Lamp - Right](#)  
**Connector** 240: [LPG Control Module](#)  
**Connector** 241: [LPG Fuel Injector 1](#)  
**Connector** 242: [LPG Fuel Injector 2](#)  
**Connector** 243: [LPG Fuel Injector 3](#)  
**Connector** 244: [LPG Fuel Injector 4](#)  
**Connector** 245: [LPG Fuel Injector 5](#)  
**Connector** 246: [LPG Fuel Injector 6](#)  
**Connector** 247: [LPG Lock-Off](#)  
**Connector** 248: [LPG Relay](#)  
**Connector** 249: [LPG Switch/Fuel Display](#)  
**Connector** 250: [Manifold Absolute Pressure \(MAP\) Sensor \(L98\)](#)  
**Connector** 251: [Mass Air Flow \(MAF\)/Intake Air Temperature \(IAT\) Sensor](#)  
**Connector** 252: [Memory Seat Module - Driver X1](#)  
**Connector** 253: [Memory Seat Module - Driver X2](#)  
**Connector** 254: [Memory Seat Module - Driver X3](#)  
**Connector** 255: [Memory Seat Module - Driver X4](#)  
**Connector** 256: [Mode Actuator - Left](#)  
**Connector** 257: [Mode Actuator - Right](#)  
**Connector** 258: [Mode Actuator - Auxiliary \(C63\)](#)  
**Connector** 259: [Multifunction Switch - Center Console](#)  
**Connector** 260: [Navigation Gateway Module \(RHD\)](#)  
**Connector** 261: [Navigation Module X1 \(RHD\)](#)  
**Connector** 262: [Navigation Module X2 \(RHD\)](#)  
**Connector** 263: [Navigation Module X3 \(RHD\)](#)  
**Connector** 264: [Navigation Module X4 \(RHD\)](#)  
**Connector** 265: [Navigation Module X5 \(RHD\)](#)

**Connector 266:** [Navigation Module X6 \(RHD\)](#)  
**Connector 267:** [Navigation Module X7 \(RHD\)](#)  
**Connector 268:** [Object Alarm Sensor - Left Front Corner](#)  
**Connector 269:** [Object Alarm Sensor - Left Front Middle](#)  
**Connector 270:** [Object Alarm Sensor - Left Rear Corner](#)  
**Connector 271:** [Object Alarm Sensor - Left Rear Middle](#)  
**Connector 272:** [Object Alarm Sensor - Right Front Corner](#)  
**Connector 273:** [Object Alarm Sensor - Right Front Middle](#)  
**Connector 274:** [Object Alarm Sensor - Right Rear Corner](#)  
**Connector 275:** [Object Alarm Sensor - Right Rear Middle](#)  
**Connector 276:** [Oil Pressure Gauge](#)  
**Connector 277:** [Oil Temperature Gauge](#)  
**Connector 278:** [Outside Moisture Sensor](#)  
**Connector 279:** [Outside Rearview Mirror - Driver](#)  
**Connector 280:** [Outside Rearview Mirror - Passenger](#)  
**Connector 281:** [Outside Rearview Mirror Switch](#)  
**Connector 282:** [Park Brake Switch](#)  
**Connector 283:** [Park/Neutral Position \(PNP\) Switch \(M30 or M32\)](#)  
**Connector 284:** [Pressure Control \(PC\) Solenoid Valve](#)  
**Connector 285:** [Radio X1](#)  
**Connector 286:** [Radio X2](#)  
**Connector 287:** [Radio X3](#)  
**Connector 288:** [Radio X4](#)  
**Connector 289:** [Rail Pressure/Temperature Sensor \(LPG\)](#)  
**Connector 290:** [Rear Compartment Courtesy Lamp X1](#)  
**Connector 291:** [Rear Compartment Courtesy Lamp X2](#)  
**Connector 292:** [Rear Compartment Lid Latch](#)  
**Connector 293:** [Rear Compartment Lid Release Switch](#)  
**Connector 294:** [Rear Lock-Off/Service Solenoid Assembly \(LPG\)](#)  
**Connector 295:** [Rear Object Sensor Control Module Connector](#)  
**Connector 296:** [Rear Park Assist Module X2](#)  
**Connector 297:** [Rear Park Assist Module X3](#)  
**Connector 298:** [Rear Park Assist Module X4](#)  
**Connector 299:** [Rear Park Assist Module X5](#)  
**Connector 300:** [Rear Park Assist Ground Connector X1](#)  
**Connector 301:** [Rear Park Assist Ground Connector X2](#)  
**Connector 302:** [Rear Window Defogger Grid X1](#)  
**Connector 303:** [Rear Window Defogger Grid X2](#)  
**Connector 304:** [Recirculation Actuator](#)  
**Connector 305:** [Regulator Temperature Sensor \(LPG\)](#)  
**Connector 306:** [Remote Control Door Lock Receiver \(RCDLR\)](#)  
**Connector 307:** [Reverse Lockout Solenoid \(L98 or HSV\)](#)  
**Connector 308:** [Seat Adjuster Switch - Driver \(AG3 or AGB\)](#)  
**Connector 309:** [Seat Adjuster Switch - Driver \(AH6 or AJ6\)](#)  
**Connector 310:** [Seat Adjuster Switch - Passenger](#)

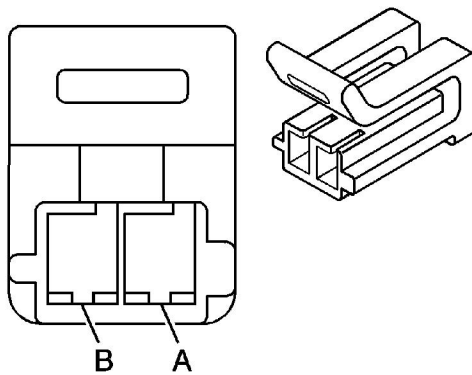
- Connector 311: [Seat Belt Buckle Pretensioner - Driver](#)
- Connector 312: [Seat Belt Retractor Pretensioner - Driver](#)
- Connector 313: [Seat Belt Buckle Pretensioner - Passenger](#)
- Connector 314: [Seat Belt Retractor Pretensioner - Passenger](#)
- Connector 315: [Seat Belt Switch - Driver](#)
- Connector 316: [Seat Belt Switch - Passenger](#)
- Connector 317: [Seat Front Vertical Motor - Driver \(AG1 or AG3\)](#)
- Connector 318: [Seat Front Vertical Motor - Passenger \(AG1\)](#)
- Connector 319: [Seat Horizontal Motor - Driver \(AG1 or AG3\)](#)
- Connector 320: [Seat Horizontal Motor - Passenger \(AG1\)](#)
- Connector 321: [Memory Seat Module \(MSM\)](#)
- Connector 322: [Seat Lumbar Motor - Driver X1 \(AG3\)](#)
- Connector 323: [Seat Lumbar Motor - Driver X2 \(AG3\)](#)
- Connector 324: [Seat Rear Vertical Motor - Driver \(AG1 or AG3\)](#)
- Connector 325: [Seat Rear Vertical Motor - Passenger \(AG1\)](#)
- Connector 326: [Seat Recline Motor - Driver \(AG1 or AG3\)](#)
- Connector 327: [Seat Recline Motor - Passenger \(AG1\)](#)
- Connector 328: [Shock Absorber Actuator - Left Front \(HSV\)](#)
- Connector 329: [Shock Absorber Actuator - Left Rear \(HSV\)](#)
- Connector 330: [Shock Absorber Actuator - Right Front \(HSV\)](#)
- Connector 331: [Shock Absorber Actuator - Right Rear \(HSV\)](#)
- Connector 332: [Side Marker Lamp - Left Front](#)
- Connector 333: [Side Marker Lamp - Left Rear](#)
- Connector 334: [Side Marker Lamp - Right Front](#)
- Connector 335: [Side Marker Lamp - Right Rear](#)
- Connector 336: [Siren Connector](#)
- Connector 337: [Speaker - Center I/P X1 \(UW5\)](#)
- Connector 338: [Speaker - Center I/P X2 \(UW5\)](#)
- Connector 339: [Speaker - Center I/P \(without UW5\)](#)
- Connector 340: [Speaker - Left Front \(UQ7\)](#)
- Connector 341: [Speaker - Left Front \(UW5 or U65\)](#)
- Connector 342: [Speaker - Left Front Tweeter \(U65 or UW5\)](#)
- Connector 343: [Speaker - Left Front Tweeter \(UQ7\)](#)
- Connector 344: [Speaker - Left Rear \(U65 or UW5\)](#)
- Connector 345: [Speaker - Left Rear \(UQ7\)](#)
- Connector 346: [Speaker - Left Subwoofer \(UQ7\)](#)
- Connector 347: [Speaker - Right Front \(UQ7\)](#)
- Connector 348: [Speaker - Right Front \(UW5 or U65\)](#)
- Connector 349: [Speaker - Right Front Tweeter \(U65 or UW5\)](#)
- Connector 350: [Speaker - Right Front Tweeter \(UQ7\)](#)
- Connector 351: [Speaker - Right Rear \(U65 or UW5\)](#)
- Connector 352: [Speaker - Right Rear \(UQ7\)](#)
- Connector 353: [Speaker - Right Subwoofer \(UQ7\)](#)
- Connector 354: [Starter Motor X1](#)
- Connector 355: [Starter Motor X2](#)



- Connector 356: [Steering Angle Sensor](#)
- Connector 357: [Steering Wheel Controls Switch Assembly](#)
- Connector 358: [Sunload Sensor \(CJ2 or C63\)](#)
- Connector 359: [Sunroof Control Module \(RHD\)](#)
- Connector 360: [Sunroof Switch \(RHD\)](#)
- Connector 361: [Sunshade - Left](#)
- Connector 362: [Sunshade - Right](#)
- Connector 363: [Suspension Position Sensor - Left Front \(HSV\)](#)
- Connector 364: [Suspension Position Sensor - Left Rear \(HSV\)](#)
- Connector 365: [Suspension Position Sensor - Right Front \(HSV\)](#)
- Connector 366: [Suspension Position Sensor - Right Rear \(HSV\)](#)
- Connector 367: [Tail Lamp - Left \(without HSV or VXR8\)](#)
- Connector 368: [Tail Lamp - Left \(HSV or VXR8\)](#)
- Connector 369: [Tail Lamp - Right \(without HSV or VXR8\)](#)
- Connector 370: [Tail Lamp - Right \(HSV or VXR8\)](#)
- Connector 371: [Telematics Module X1 \(RHD\)](#)
- Connector 372: [Telematics Module X2 \(RHD\)](#)
- Connector 373: [Theft Deterrent Alarm Siren X1](#)
- Connector 374: [Theft Deterrent Alarm Siren X2](#)
- Connector 375: [Theft Deterrent Module \(TDM\)](#)
- Connector 376: [Throttle Body](#)
- Connector 377: [Tilt Sensor](#)
- Connector 378: [Trailer Connector](#)
- Connector 379: [Trailer Harness Control Module](#)
- Connector 380: [Trailer Patch Harness Electrical Brake Connector](#)
- Connector 381: [Trailer Presence Connector](#)
- Connector 382: [Torque Converter Clutch \(TCC\) Pulse Width Modulation \(PWM\) Solenoid Valve](#)
- Connector 383: [Transmission Control Module \(TCM\) \(M30 or M32\)](#)
- Connector 384: [Turn Signal/Multifunction Switch](#)
- Connector 385: [Ultrasonic Sensor Control Module](#)
- Connector 386: [Valve Lifter Oil Manifold \(VLOM\) Assembly](#)
- Connector 387: [Variable Intake Manifold \(VIM\) Module](#)
- Connector 388: [Vehicle Communication Interface Module \(VCIM\) X1](#)
- Connector 389: [Vehicle Communication Interface Module \(VCIM\) X2](#)
- Connector 390: [Vehicle Communication Interface Module \(VCIM\) Battery](#)
- Connector 391: [Vehicle Speed Sensor \(VSS\)](#)
- Connector 392: [Video Display](#)
- Connector 393: [Video Display - Left Seat Headrest X1](#)
- Connector 394: [Video Display - Left Seat Headrest X2](#)
- Connector 395: [Video Display - Right Seat Headrest X1](#)
- Connector 396: [Video Display - Right Seat Headrest X2](#)
- Connector 397: [Wheel Speed Sensor \(WSS\) - Left Front](#)
- Connector 398: [Wheel Speed Sensor \(WSS\) - Left Rear](#)
- Connector 399: [Wheel Speed Sensor \(WSS\) - Right Front](#)
- Connector 400: [Wheel Speed Sensor \(WSS\) - Right Rear](#)

- Connector 401: [Window Control Module](#)
- Connector 402: [Window Motor - Driver \(AXB\)](#)
- Connector 403: [Window Motor - Driver \(AXC\)](#)
- Connector 404: [Window Motor - Left Rear](#)
- Connector 405: [Window Motor - Passenger \(AXB\)](#)
- Connector 406: [Window Motor - Passenger \(AXC\)](#)
- Connector 407: [Window Motor - Right Rear](#)
- Connector 408: [Window Switch - Left Rear](#)
- Connector 409: [Window Switch - Right Rear](#)
- Connector 410: [Windshield Washer Fluid Level Switch \(TT7 or TT8 or EF7\)](#)
- Connector 411: [Windshield Washer Fluid Pump](#)
- Connector 412: [Windshield Wiper Motor](#)
- Connector 413: [Windshield Wiper/Washer Switch](#)
- Connector 414: [Yaw and Lateral Accelerometer Sensor](#)

## 1-2 Shift Solenoid (SS) Valve



### Connector Part Information

- | OEM: 12146094
- | Service: See Catalog
- | Description: 2-Way F Metri-Pack 150.2 Series, Sealed, Pull To Seat (GY)

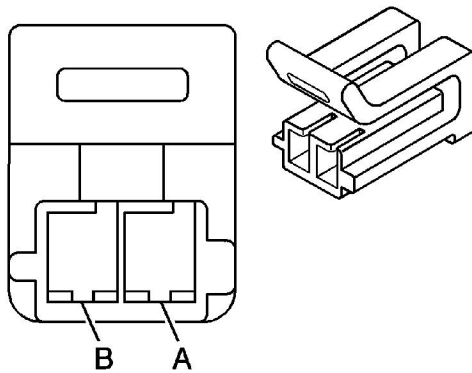
### Terminal Part Information

- | Terminal/Tray: See Terminal Repair Kit
- | Core/Insulation Crimp: See Terminal Repair Kit
- | Release Tool/Test Probe: See Terminal Repair Kit

## 1-2 Shift Solenoid (SS) Valve

Pin	Wire Color	Circuit No.	Function
A	0.5 BK	1222	Shift Solenoid A Valve Control
B	0.5 WH	1525	Clutch Pressure Control Solenoid Valve 1 High Control

### 3-4 Shift Solenoid (SS) Valve



#### Connector Part Information

- | OEM: 12146094
- | Service: See Catalog
- | Description: 2-Way F Metri-Pack 150.2 Series, Sealed, Pull To Seat (GY)

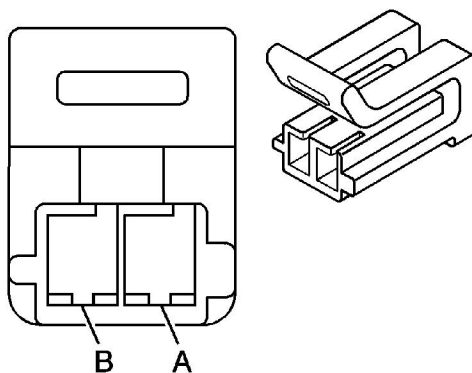
#### Terminal Part Information

- | Terminal/Tray: See Terminal Repair Kit
- | Core/Insulation Crimp: See Terminal Repair Kit
- | Release Tool/Test Probe: See Terminal Repair Kit

### 3-4 Shift Solenoid (SS) Valve

Pin	Wire Color	Circuit No.	Function
A	0.5 GY	898	Shift Solenoid C Valve Control
B	0.5 WH	1525	Clutch Pressure Control Solenoid Valve 1 High Control

### 4-5 Shift Solenoid (SS) Valve



### Connector Part Information

- | OEM: 12146094
- | Service: See Catalog
- | Description: 2-Way F Metri-Pack 150.2 Series, Sealed, Pull To Seat (GY)

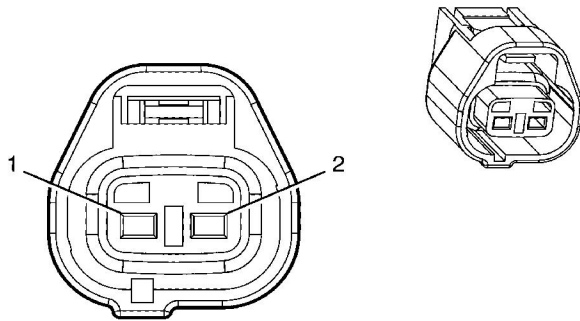
### Terminal Part Information

- | Terminal/Tray: See Terminal Repair Kit
- | Core/Insulation Crimp: See Terminal Repair Kit
- | Release Tool/Test Probe: See Terminal Repair Kit

### 4-5 Shift Solenoid (SS) Valve

Pin	Wire Color	Circuit No.	Function
A	0.5 D-BU	1223	Shift Solenoid B Valve Control
B	0.5 WH	1525	Clutch Pressure Control Solenoid Valve 1 High Control

### A/C Compressor



### Connector Part Information

- | OEM: 7283-8125-30
- | Service: See Catalog
- | Description: 2-Way F (BK)

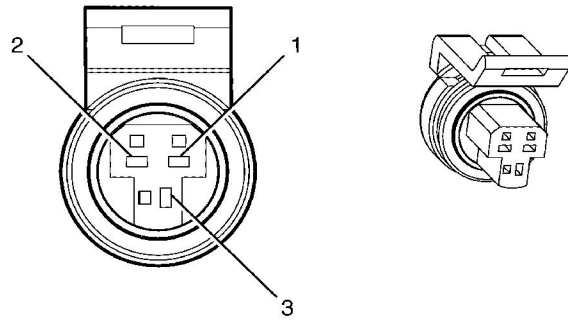
### Terminal Part Information

- | Terminal/Tray: 7116-4025/11
- | Core/Insulation Crimp: E/1
- | Release Tool/Test Probe: 15313892/J-35616-18 (BK)

### A/C Compressor

Pin	Wire Color	Circuit No.	Function
1	0.5 D-BU	7393	A/C Compressor Clutch Low Reference
2	0.5 D-GN	7392	A/C Compressor Clutch Supply Voltage

## A/C Refrigerant Pressure Sensor



### Connector Part Information

- | OEM: 7283-2429
- | Service: See Catalog
- | Description: 3-Way F (BK)

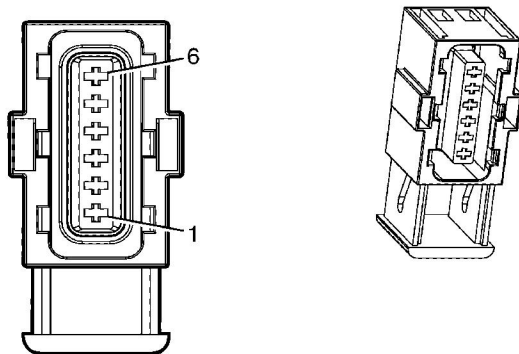
### Terminal Part Information

- | Terminal/Tray: 15326267/19
- | Core/Insulation Crimp: E/4
- | Release Tool/Test Probe: 15315247/J-35616-2A (GY)

## A/C Refrigerant Pressure Sensor

Pin	Wire Color	Circuit No.	Function
1	0.5 BN/GN	2759	Low Reference
2	0.5 GY	1688	5-Volt Reference
3	0.5 OG/BK	380	A/C Refrigerant Pressure Sensor Signal

## Accelerator Pedal Position (APP) Sensor





### Connector Part Information

- | OEM: 7283-6463-30
- | Service: See Catalog
- | Description: 6-Way F (BK)

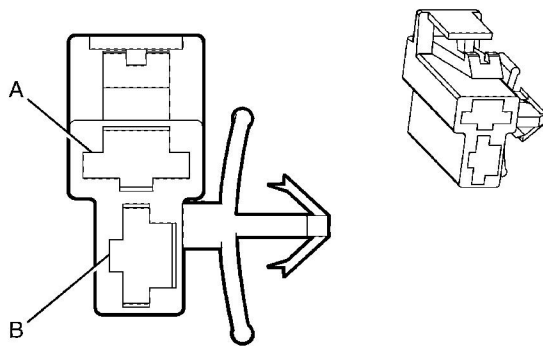
### Terminal Part Information

- | Terminal/Tray: 4-964274-1/25
- | Core/Insulation Crimp: E/A
- | Release Tool/Test Probe: J-38125-560/J-35616-33 (YE)

### Accelerator Pedal Position (APP) Sensor

Pin	Wire Color	Circuit No.	Function
1	0.5 BN/YE	1274	5-Volt Reference
2	0.5 WH/BK	1164	5-Volt Reference
3	0.5 D-BU/WH	1161	APP Sensor 1 Signal
4	0.5 BN	1271	Low Reference
5	0.5 PU	1272	Low Reference
6	0.5 L-BU	1162	APP Sensor 2 Signal

### Accessory Power Outlet - Center Console Compartment



### Connector Part Information

- | OEM: 7123-5125-30
- | Service: See Catalog
- | Description: 2-Way F (BK)

### Terminal Part Information

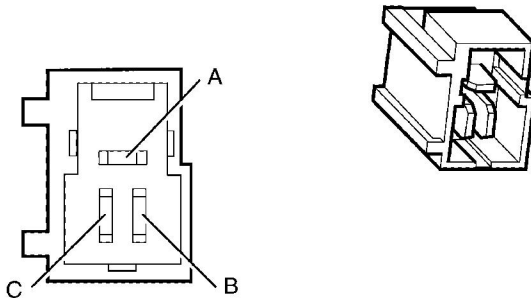
- | Terminal/Tray: 7116-2641-02/12
- | Core/Insulation Crimp: C/B

| Release Tool/Test Probe: 12094430/J-35616-42 (RD)

### Accessory Power Outlet - Center Console Compartment

Pin	Wire Color	Circuit No.	Function
A	1.25 BN/WH	9301	Accessory Voltage
B	1.25 BK	2050	Ground

### Accessory Power Outlet - I/P



#### Connector Part Information

- | OEM: 7122-6030
- | Service: See Catalog
- | Description: 3-Way (BK)

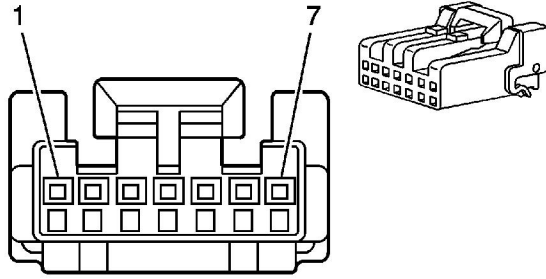
#### Terminal Part Information

- | Terminal/Tray: See Terminal Repair Kit
- | Core/Insulation Crimp: See Terminal Repair Kit
- | Release Tool/Test Probe: See Terminal Repair Kit

### Accessory Power Outlet - I/P

Pin	Wire Color	Circuit No.	Function
A	1.25 GY	8	Instrument Panel Lamp Supply Voltage
B	1.25 BN/WH	143	Accessory Voltage
C	1.25 BK	850	Ground

### Air Temperature Actuator (C60)



### Connector Part Information

- | OEM: IL-AG5-7S-S3C1
- | Service: See Catalog
- | Description: 7-Way F (GN)

### Terminal Part Information

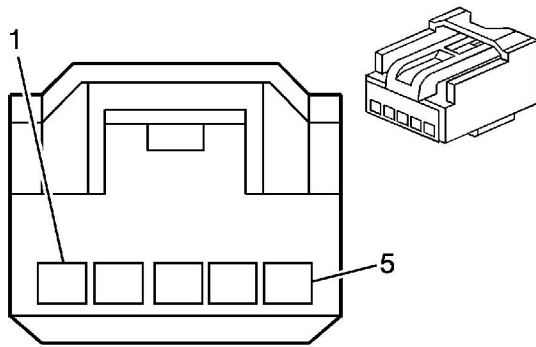
- | Terminal/Tray: See Terminal Repair Kit
- | Core/Insulation Crimp: See Terminal Repair Kit
- | Release Tool/Test Probe: See Terminal Repair Kit

### Air Temperature Actuator (C60)

Pin	Wire Color	Circuit No.	Function
1	0.5 YE	598	5-Volt Reference
2	--	--	Not Used
3	0.5 GY	1791	Low Reference
4	--	--	Not Used
5	0.5 WH	733	Air Temperature Door Position Signal
6	0.5 D-BU/WH	5954	Air Temperature Motor Control
7	0.5 RD/WH	2210	Air Temperature Door Control

### Air Temperature Actuator - Left





### Connector Part Information

- | OEM: 7283-5830-30
- | Service: See Catalog
- | Description: 5-Way F Yazaki (BK)

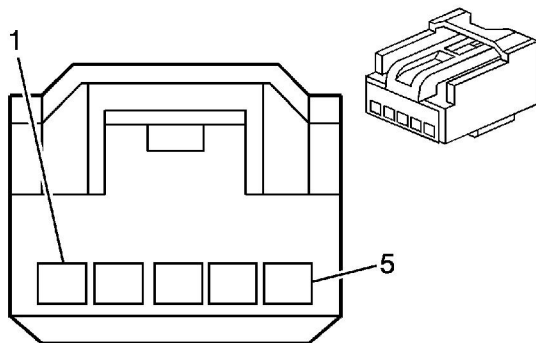
### Terminal Part Information

- | Terminal/Tray: See Terminal Repair Kit
- | Core/Insulation Crimp: See Terminal Repair Kit
- | Release Tool/Test Probe: See Terminal Repair Kit

### Air Temperature Actuator - Left

Pin	Wire Color	Circuit No.	Function
1	0.3 WH	2778	Passenger Air Temperature Motor Control
2	0.3 YE	1236	Passenger Air Temperature Door Control
3	0.3 BK/RD	719	Low Reference
4	0.3 BK/YE	1646	Passenger Air Temperature Door Position Signal
5	0.3 BK/WH	598	5-Volt Reference

### Air Temperature Actuator - Right





## Connector Part Information

- | OEM: 7283-5830-30
- | Service: See Catalog
- | Description: 5-Way F Yazaki (BK)

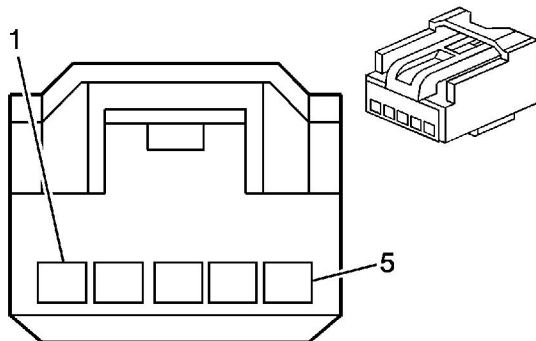
## Terminal Part Information

- | Terminal/Tray: See Terminal Repair Kit
- | Core/Insulation Crimp: See Terminal Repair Kit
- | Release Tool/Test Probe: See Terminal Repair Kit

## Air Temperature Actuator - Right

Pin	Wire Color	Circuit No.	Function
1	0.3 D-BU/WH	2148	Passenger Temp B Signal
2	0.3 YE/BK	2147	Passenger Temp A Signal
3	0.3 BN/WH	476	Low Reference
4	0.3 YE/BU	2178	Passenger Temp D Signal
5	0.3 YE/RD	2149	Passenger Temp C Signal

## Air Temperature Actuator - Auxiliary (C63)



## Connector Part Information

- | OEM: 7283-5830-30
- | Service: See Catalog
- | Description: 5-Way F Yazaki (BK)

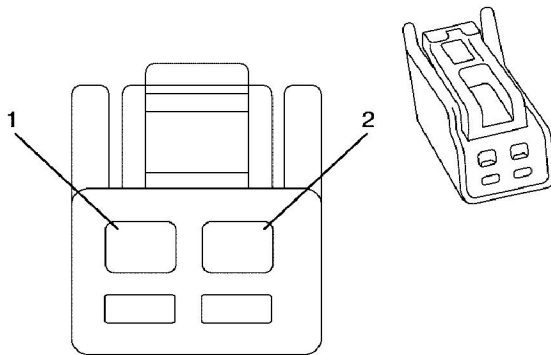
## Terminal Part Information

- | Terminal/Tray: See Terminal Repair Kit
- | Core/Insulation Crimp: See Terminal Repair Kit
- | Release Tool/Test Probe: See Terminal Repair Kit

## Air Temperature Actuator - Auxiliary (C63)

Pin	Wire Color	Circuit No.	Function
1	0.3 L-GN/RD	5515	Inside Air Temperature Sensor Assembly Control
2	0.3 D-BU/OG	5516	Inside Air Temperature Sensor Assembly Control
3	0.3 RD/BK	552	Low Reference
4	0.3 PK/BK	5517	Low Reference
5	0.3 D-BU/GN	5518	Auxiliary Inside Air Temperature Sensor Signal

## Air Temperature Sensor



### Connector Part Information

- | OEM: 7283-5845
- | Service: See Catalog
- | Description: 2-Way F 040-III (NA)

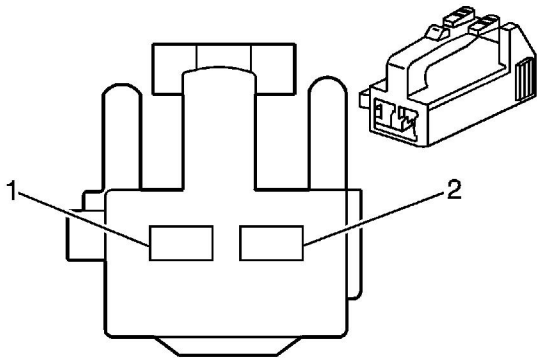
### Terminal Part Information

- | Terminal/Tray: See Terminal Repair Kit
- | Core/Insulation Crimp: See Terminal Repair Kit
- | Release Tool/Test Probe: See Terminal Repair Kit

## Air Temperature Sensor

Pin	Wire Color	Circuit No.	Function
A	0.5 GY	1791	Low Reference
B	0.5 GY	1199	Air Temperature Door Control

## Air Temperature Sensor - Inside



### Connector Part Information

- | OEM: 7123-1520
- | Service: 88988450
- | Description: 2-Way F 090 Series (NA)

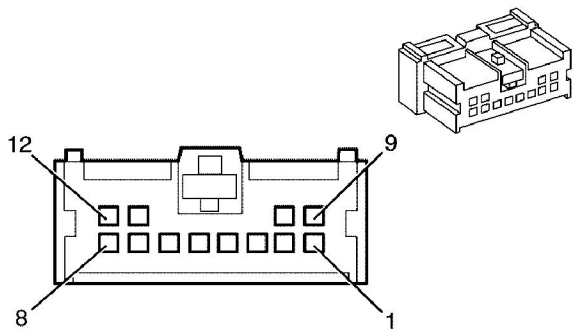
### Terminal Part Information

- | Terminal/Tray: 7116-1180/11
- | Core/Insulation Crimp: C/E/C
- | Release Tool/Test Probe: 15315247/J-35616-18 (BK)

### Air Temperature Sensor - Inside

Pin	Wire Color	Circuit No.	Function
A	0.3 D-GN	734	Inside Ambient Temperature Sensor Low Reference
B	0.3 BN	61	Outside Air Temperature Sensor Signal

### Alarm Module Connector



### Connector Part Information

- | OEM:

- | Service: See Catalog
- | Description: 12-Way F

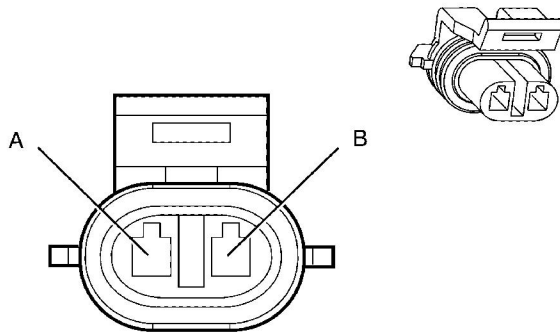
### Terminal Part Information

- | Terminal/Tray: See Terminal Repair Kit
- | Core/Insulation Crimp: See Terminal Repair Kit
- | Release Tool/Test Probe: See Terminal Repair Kit

### Alarm Module Connector

Pin	Wire Color	Circuit No.	Function
1	0.35 BK		Battery Power
2	0.35 BK		Horn Signal Input
3	0.35 BK		Siren Battery Test Output
4	0.35 BK		Inclination Sensor Signal
5	0.35 BK		Siren Control Signal
6	0.35 BK		Ground
7	0.35 BK		Intrusion Sensor Signal
8	0.35 BK		Alarm System Status
9	0.35 BK		Alarm Control Module Power Control
10	--	--	Not Used
11	0.35 BK		Disable Signal
12	--	--	Not Used

### Ambient Air Temperature Sensor



### Connector Part Information

- | OEM: 7223-9725-30
- | Service: 88987920
- | Description: 2-Way F (BK)

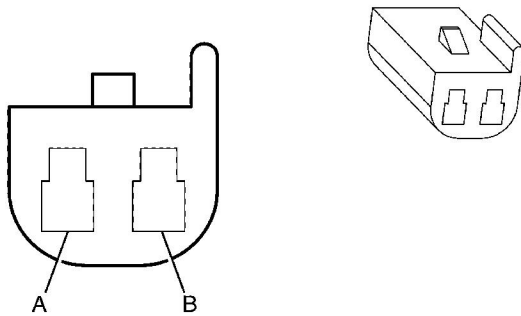
### Terminal Part Information

- | Terminal/Tray: 12048074/2
- | Core/Insulation Crimp: E/1
- | Release Tool/Test Probe: 12094429/J-35616-14 (GN)

### Ambient Air Temperature Sensor

Pin	Wire Color	Circuit No.	Function
A	0.3 BN	61	Low Reference
B	0.3 L-GN/BK	735	5-Volt Reference

### Ambient Light Sensor (C60)



#### Connector Part Information

- | OEM: 7123-8328-30
- | Service: 12085535
- | Description: 2-Way F (BK)

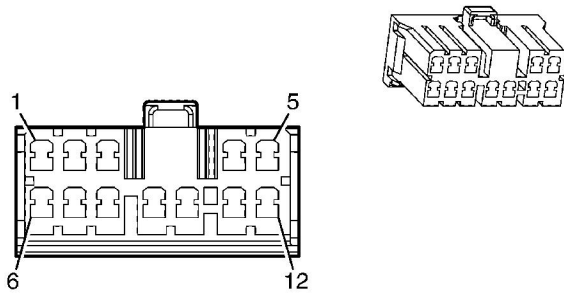
#### Terminal Part Information

- | Terminal/Tray: 12064971/5
- | Core/Insulation Crimp: E/C
- | Release Tool/Test Probe: 12094429/J-35616-14 (GN)

### Ambient Light Sensor (C60)

Pin	Wire Color	Circuit No.	Function
A	0.3 L-GN/BK	1137	DRL Ambient Light Sensor Signal
B	0.3 BK	850	Ground

### Audio Amplifier (UWP)



## Connector Part Information

- | OEM: 7123-1423
- | Service: See Catalog
- | Description: 12-Way F

## Terminal Part Information

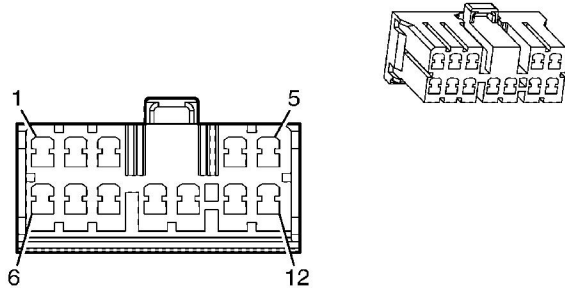
- | Pins: 1, 2, 6, 7
- | Terminal/Tray: 173630-7/7
- | Core/Insulation Crimp: E/4
- | Release Tool/Test Probe: 15315247/J-35616-33 (YE)
  
- | Pins: 3-5, 8-12
- | Terminal/Tray: 173630-7/7
- | Core/Insulation Crimp: E/A
- | Release Tool/Test Probe: 15315247/J-35616-33 (YE)

## Audio Amplifier (UWP)

Pin	Wire Color	Circuit No.	Function
1	0.5 BN	199	Left Rear Speaker Output (+)
2	0.5 D-BU	46	Right Rear Speaker Output (+)
3	1.25 D-BU/WH	346	Left or Rear Subwoofer Speaker Output (+)
4	1.25 RD/WH	2040	Battery Positive Voltage (LHD)
	1.25 OG/WH	2040	Battery Positive Voltage (RHD)
5	1.25 BK	2050	Ground
6	0.5 YE	116	Left Rear Speaker Output (-) (LHD)
	0.5 YE/RD	116	Left Rear Speaker Output (-) (RHD)
7	0.5 L-BU	115	Right Rear Speaker Output (-)
8	1.25 L-GN/BK	1794	[Left or Rear] Subwoofer Speaker Output (-)
9	1.25 D-GN	1795	Right Subwoofer Speaker Output (+)
10	1.25 L-BU/BK	315	Right Subwoofer Speaker Output (-)
11	1.25 RD/WH	2040	Battery Positive Voltage
	1.25 OG/WH	2040	Battery Positive Voltage

12	1.25 BK	2050	Ground
----	---------	------	--------

## Audio Amplifier X1 (UQ7 and LHD)



### Connector Part Information

- | OEM: 7123-1423
- | Service: See Catalog
- | Description: 12-Way F

### Terminal Part Information

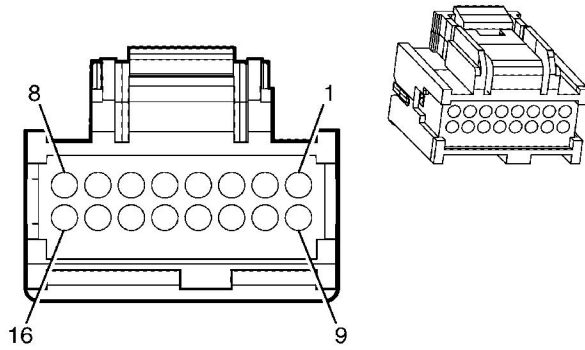
- | Terminal/Tray: See Terminal Repair Kit
- | Core/Insulation Crimp: See Terminal Repair Kit
- | Release Tool/Test Probe: See Terminal Repair Kit

## Audio Amplifier X1 (UQ7 and LHD)

Pin	Wire Color	Circuit No.	Function
1	0.5 BN	--	Left Rear Speaker Output (+)
2	0.5 D-BU	--	Right Rear Speaker Output (+)
3	1 D-BU/WH	--	Left or Rear Subwoofer Speaker Output (+)
4	2 RD/WH	--	Battery Positive Voltage
5	2 BK	--	Ground
6	0.5 YE	--	Left Rear Speaker Output (-)
7	0.5 L-BU	--	Right Rear Speaker Output (-)
8	1 L-GN/BK	--	Subwoofer Speaker Output (-)
9	1 D-GN	--	Right Subwoofer Speaker Output (+)
10	1 L-BU/BK	--	Right Subwoofer Speaker Output (-)
11	2 RD/WH	--	Battery Positive Voltage
12	2 BK	--	Ground

## Audio Amplifier X1 (UQ7 and RHD)





### Connector Part Information

- | OEM: 15394150
- | Service: See Catalog
- | Description: 16-Way F (BK)

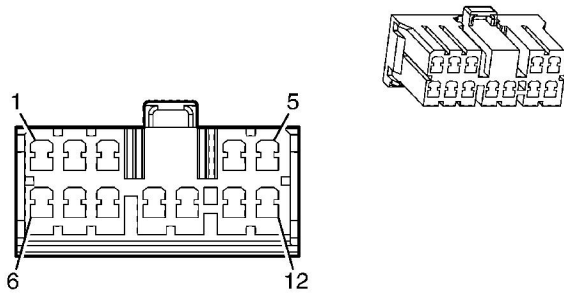
### Terminal Part Information

- | Terminal/Tray: See Terminal Repair Kit
- | Core/Insulation Crimp: See Terminal Repair Kit
- | Release Tool/Test Probe: See Terminal Repair Kit

### Audio Amplifier X1 (UQ7 and RHD)

Pin	Wire Color	Circuit No.	Function
1-3	--	--	Not Used
4	0.3 BN/BU	1946	Right Rear Low Level Audio Signal (-)
5	0.3 BN	1999	Left Rear Low Level Audio Signal (-)
6	0.3 L-GN	1948	Right Front Low Level Audio Signal (-)
7	0.3 D-GN	1947	Left Front Low Level Audio Signal (-)
8	0.3 WH	7066	Amplifier Enable Signal
9-10	--	--	Not Used
11	0.3 OG	6978	Amplifier Mute Control
12	0.3 D-BU	546	Right Rear Low Level Audio Signal (+)
13	0.3 BN/WH	599	Left Rear Low Level Audio Signal (+)
14	0.3 L-GN/WH	512	Right Front Low Level Audio Signal (+)
15	0.3 BN/OG	511	Left Front Low Level Audio Signal (+)
16	--	--	Not Used

### Audio Amplifier X2 (UQ7 and LHD)



### Connector Part Information

- | OEM: 7123-1423
- | Service: See Catalog
- | Description: 12-Way F

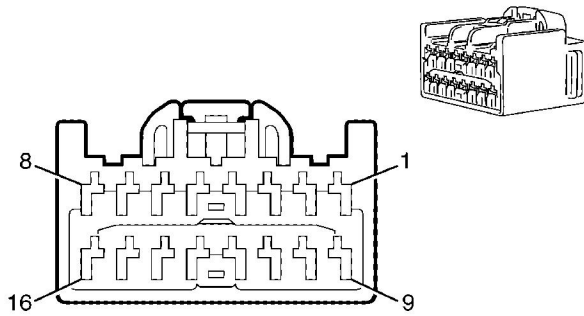
### Terminal Part Information

- | Terminal/Tray: See Terminal Repair Kit
- | Core/Insulation Crimp: See Terminal Repair Kit
- | Release Tool/Test Probe: See Terminal Repair Kit

### Audio Amplifier X2 (UQ7 and LHD)

Pin	Wire Color	Circuit No.	Function
1	0.5 BN	--	Left Rear Speaker Output (+)
2	0.5 D-BU	--	Right Rear Speaker Output (+)
3	1 D-BU/WH	--	Rear Subwoofer Speaker Output (+)
4	2 RD/WH	--	Battery Positive Voltage
5	2 BK	--	Ground
6	0.5 YE	--	Left Rear Speaker Output (-)
7	0.5 L-BU	--	Right Rear Speaker Output (-)
8	1 L-GN/BK	--	Subwoofer Speaker Output (-)
9	1 D-GN	--	Right Subwoofer Speaker Output (+)
10	1 L-BU/BK	--	Right Subwoofer Speaker Output (-)
11	2 RD/WH	--	Battery Positive Voltage
12	2 BK	--	Ground

### Audio Amplifier X2 (UQ7 and RHD)



### Connector Part Information

- | OEM: 7283-5534-60
- | Service: See Catalog
- | Description: 16-Way F

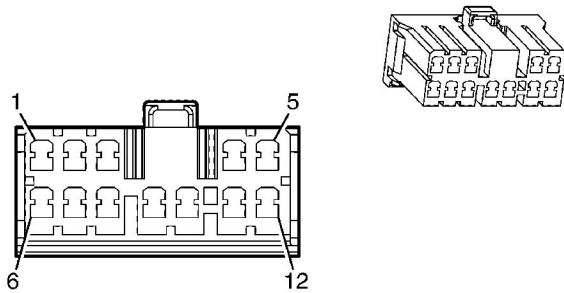
### Terminal Part Information

- | Terminal/Tray: See Terminal Repair Kit
- | Core/Insulation Crimp: See Terminal Repair Kit
- | Release Tool/Test Probe: See Terminal Repair Kit

### Audio Amplifier X2 (UQ7 and RHD)

Pin	Wire Color	Circuit No.	Function
1	0.85 L-BU	115	Right Rear Speaker Output (-)
2	0.85 D-BU	46	Right Rear Speaker Output (+)
3	0.85 L-BU	1960	Front Center Speaker Output (-)
4	0.85 YE	1860	Front Center Speaker Output (+)
5	0.5 OG/BK	5766	Front Center Speaker Output (+)
6	0.5 OG	5756	Roof Center Speaker Output (-)
7	0.85 D-GN	117	Right Front Speaker Output (-)
8	0.85 L-GN	200	Right Front Speaker Output (+)
9-14	--	--	Not Used
15	0.85 BN	199	Left Front Speaker Output (-)
16	0.85 YE/RD	116	Left Front Speaker Output (+)

### Audio Amplifier X3 (LHD and UQ7)



### Connector Part Information

- | OEM: 7123-1423
- | Service: See Catalog
- | Description: 12-Way F

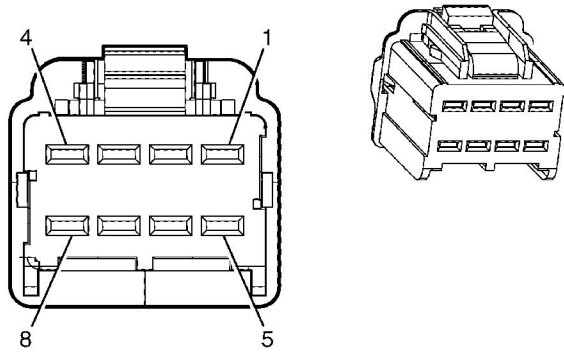
### Terminal Part Information

- | Terminal/Tray: See Terminal Repair Kit
- | Core/Insulation Crimp: See Terminal Repair Kit
- | Release Tool/Test Probe: See Terminal Repair Kit

### Audio Amplifier X3 (LHD and UQ7)

Pin	Wire Color	Circuit No.	Function
1	0.5 BN	--	Left Rear Speaker Output (+)
2	0.5 D-BU	--	Right Rear Speaker Output (+)
3	1 D-BU/WH	--	Left or Rear Subwoofer Speaker Output (+)
4	2 RD/WH	--	Battery Positive Voltage
5	2 BK	--	Ground
6	0.5 YE	--	Left Rear Speaker Output (-)
7	0.5 L-BU	--	Right Rear Speaker Output (-)
8	1 L-GN/BK	--	Subwoofer Speaker Output (-)
9	1 D-GN	--	Right Subwoofer Speaker Output (+)
10	1 L-BU/BK	--	Right Subwoofer Speaker Output (-)
11	2 RD/WH	--	Battery Positive Voltage
12	2 BK	--	Ground

### Audio Amplifier X3 (RHD and UQ7)



### Connector Part Information

- | OEM: 6098-4713
- | Service: See Catalog
- | Description: 8-Way F (BK)

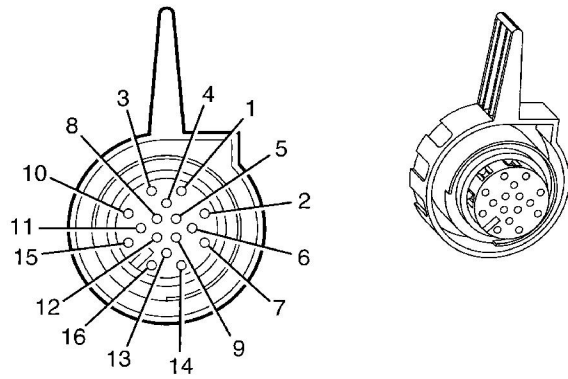
### Terminal Part Information

- | Terminal/Tray: See Terminal Repair Kit
- | Core/Insulation Crimp: See Terminal Repair Kit
- | Release Tool/Test Probe: See Terminal Repair Kit

### Audio Amplifier X3 (RHD and UQ7)

Pin	Wire Color	Circuit No.	Function
1	0.85 GY	118	Left Front Speaker Output (-)
2	1.25 L-BU/BK	315	Right Subwoofer Speaker Output (-)
3	1.25 L-GN/BK	1794	Left Subwoofer Speaker Output (-)
4	3 OG/WH	2040	Battery Positive Voltage
5	0.85 TN	201	Left Front Speaker Output (+)
6	1.25 D-GN	1795	Right Subwoofer Speaker Output (+)
7	1.25 D-BU/WH	346	Left Subwoofer Speaker Output (+)
8	3 BK	351	Ground

### Automatic Transmission (MYC)



### Connector Part Information

- | OEM: 7229-4189-30
- | Service: See Catalog
- | Description: 16-Way F

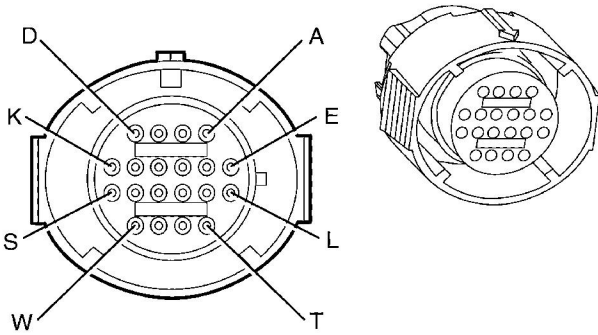
### Terminal Part Information

- | Terminal/Tray: See Terminal Repair Kit
- | Core/Insulation Crimp: See Terminal Repair Kit
- | Release Tool/Test Probe: See Terminal Repair Kit

### Automatic Transmission (MYC)

Pin	Wire Color	Circuit No.	Function
1	0.75 OG/YE	3640	Battery Positive Voltage
2	0.75 BK	450	Ground
3	0.5 OG/BK	1786	Park/Neutral Signal
4	0.75 OG/YE	3640	Battery Positive Voltage
5	0.75 BK	450	Ground
6	0.5 WH/BU	17	Stop Lamp Switch Signal
7-8	--	--	Not Used
9	0.5 D-BU	5985	Accessory Wakeup Serial Data
10	0.5 BN/BK	9002	High Speed GMLAN Serial Data Bus+
11	0.5 BN	9003	High Speed GMLAN Serial Data Bus-
12	0.5 PK	439	Ignition 1 Voltage
13	0.5 BN	9001	High Speed GMLAN Serial Data Bus-
14	0.5 BN/BK	9000	High Speed GMLAN Serial Data Bus+
15-16	--	--	Not Used

### Automatic Transmission (M30 or M32)



### Connector Part Information

- | OEM: 15463921
- | Service: See Catalog
- | Description: 20-Way F (BK)

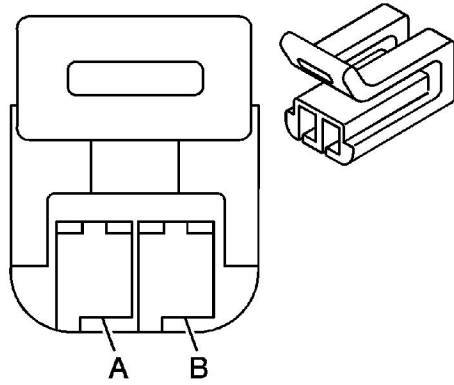
### Terminal Part Information

- | Terminal/Tray: See Terminal Repair Kit
- | Core/Insulation Crimp: See Terminal Repair Kit
- | Release Tool/Test Probe: See Terminal Repair Kit

### Automatic Transmission (M30 or M32)

Pin	Wire Color	Circuit No.	Function
A	0.5 L-GN	1222	Shift Solenoid A Valve Control
B	0.5 YE/BK	1223	Shift Solenoid B Valve Control
C	0.5 OG/BK	1228	PC Solenoid Valve High Control
D	0.5 L-BU/WH	1229	PC Solenoid Valve Low Control
E	0.5 PK	439	Ignition 1 Voltage
F-J	--	--	Not Used
K	0.5 OG	1983	Transmission Turbine Speed Switch Signal
L	0.5 YE/BK	1227	TFT Sensor Signal
M	0.5 TN	2762	Low Reference
N	0.5 PK	1224	Transmission Fluid Pressure Switch Signal A
P	0.5 OG	1226	Transmission Fluid Pressure Switch Signal B
R	0.5 D-BU	1225	Transmission Fluid Pressure Switch Signal C
S	0.5 WH/GN	687	3-2 Shift Solenoid Valve Control
T	0.5 BN/OG	422	TCC Solenoid Valve Control
U	0.5 BN	418	TCC PWM Solenoid Valve Control
V	0.5 L-BU	1984	Transmission Turbine Speed Switch Low Reference
W	--	--	Not Used

### Automatic Transmission Input Shaft Speed (ISS) Sensor



### Connector Part Information

- | OEM: 10768934
- | Service: See Catalog
- | Description: 2-Way F (BK)

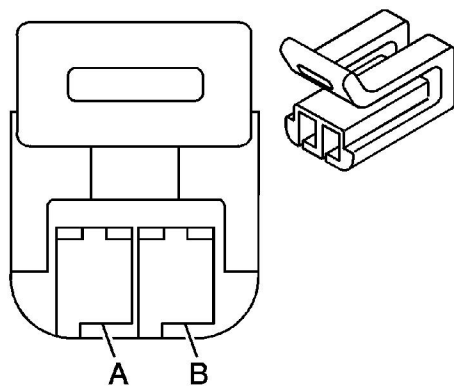
### Terminal Part Information

- | Terminal/Tray: See Terminal Repair Kit
- | Core/Insulation Crimp: See Terminal Repair Kit
- | Release Tool/Test Probe: See Terminal Repair Kit

### Automatic Transmission Input Shaft Speed (ISS) Sensor

Pin	Wire Color	Circuit No.	Function
A	0.5 YE	1983	Transmission Turbine Speed Switch Signal
B	0.5 WH	1984	Transmission Turbine Speed Switch Low Reference

### Automatic Transmission Output Shaft Speed (OSS) Sensor



### Connector Part Information



- | OEM: 12162201
- | Service: See Catalog
- | Description: 2-Way F Metri-Pack 150.2 Series, Pull To Seat (BK)

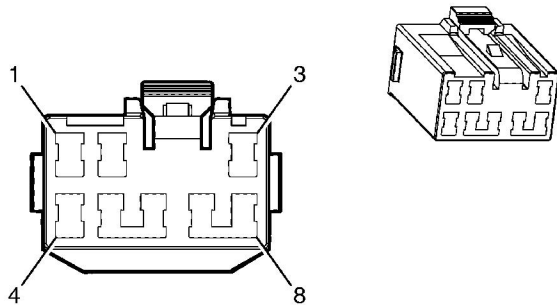
### Terminal Part Information

- | Terminal/Tray: See Terminal Repair Kit
- | Core/Insulation Crimp: See Terminal Repair Kit
- | Release Tool/Test Probe: See Terminal Repair Kit

### Automatic Transmission Output Shaft Speed (OSS) Sensor

Pin	Wire Color	Circuit No.	Function
A	0.5 OG	822	VSS Low Signal
B	0.5 WH	821	VSS High Signal

### Automatic Transmission Shift Lever



### Connector Part Information

- | OEM: 7283-7087
- | Service: See Catalog
- | Description: 8-Way F (BK)

### Terminal Part Information

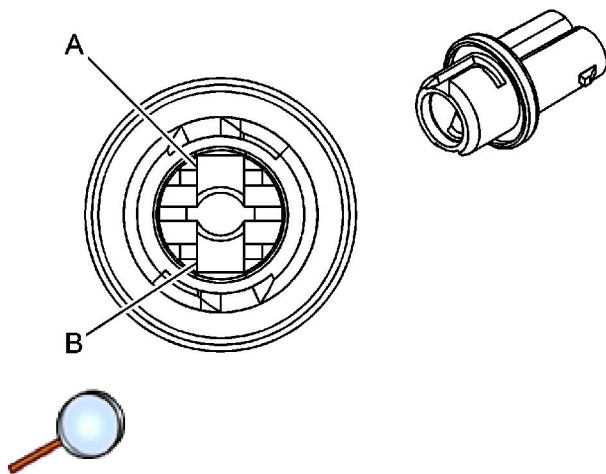
- | Terminal/Tray: 7116-4020/11
- | Core/Insulation Crimp: E/C
- | Release Tool/Test Probe: 15315247/J-35616-18 (BK)

### Automatic Transmission Shift Lever

Pin	Wire Color	Circuit No.	Function
1	0.3 PU	1375	Transmission Cruise Switch Reference
2	0.3 D-GN/WH	1135	A/T Shift Lock Control Solenoid Supply Voltage
3	0.3 BK	850	Ground
4	0.3 PU/RD	5526	Transmission Range Select Reference

5	--	--	Not Used
6	0.3 PU/WH	1630	Steering Column Key Cylinder Lock Solenoid Control
7	--	--	Not Used
8	0.3 PU/WH	6817	LED Backlight Diming Control

### Backup Lamp - Left



#### Connector Part Information

- | OEM: 15317651
- | Service: See Catalog
- | Description: 2-Way F Bulb Socket (WH)

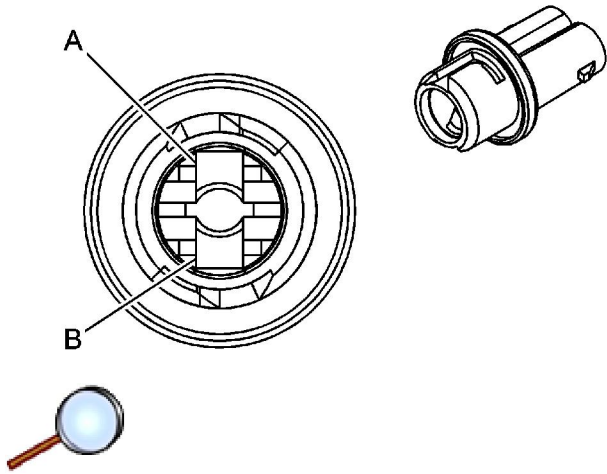
#### Terminal Part Information

- | Terminal/Tray: See Terminal Repair Kit
- | Core/Insulation Crimp: See Terminal Repair Kit
- | Release Tool/Test Probe: See Terminal Repair Kit

### Backup Lamp - Left

Pin	Wire Color	Circuit No.	Function
1	0.85 L-GN	--	Backup Lamp Supply Voltage
2	0.85 BK	--	Ground

### Backup Lamp - Right



**Connector Part Information**

- | OEM: 15317651
- | Service: See Catalog
- | Description: 2-Way F Bulb Socket (WH)

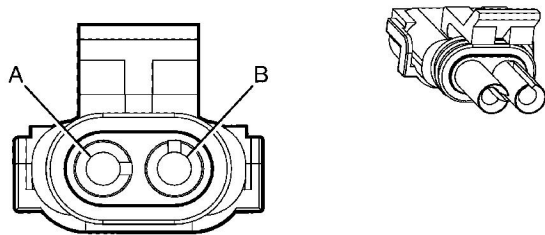
**Terminal Part Information**

- | Terminal/Tray: See Terminal Repair Kit
- | Core/Insulation Crimp: See Terminal Repair Kit
- | Release Tool/Test Probe: See Terminal Repair Kit

**Backup Lamp - Right**

Pin	Wire Color	Circuit No.	Function
1	0.85 L-GN	--	Backup Lamp Supply Voltage
2	0.85 BK	--	Ground

**Backup Lamp Switch (M10 or MV5)**



**Connector Part Information**

- | OEM: 7282-7420-40

- | Service: See Catalog
- | Description: 2-way F

### Terminal Part Information

- | Terminal/Tray: See Terminal Repair Kit
- | Core/Insulation Crimp: See Terminal Repair Kit
- | Release Tool/Test Probe: See Terminal Repair Kit

### Backup Lamp Switch (M10 or MV5)

Pin	Wire Color	Circuit No.	Function
A	0.5 L-GN	5007	Backup Lamp Switch Signal
B	0.5 BK	450	Ground

### Battery (-)

#### Terminal Part Information

- | Terminal: 7306-2055-03
- | Core/Insulation Crimp: N/A
- | Description: Battery Terminal

### Battery (-)

Pin	Wire Color	Circuit No.	Function
-	50 BK	50	Ground

### Battery (+)

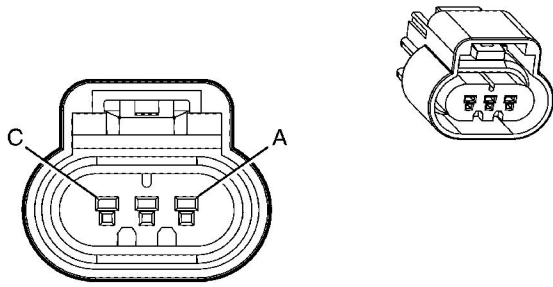
#### Terminal Part Information

- | Terminal: 7306-3053-06
- | Core/Insulation Crimp: N/A
- | Description: Battery Terminal

### Battery (+)

Pin	Wire Color	Circuit No.	Function
+	50 RD	1	Battery Positive

### Battery Current Sensor



### Connector Part Information

- | OEM: 7283-6579-30
- | Service: See Catalog
- | Description: 3-Way F (BK)

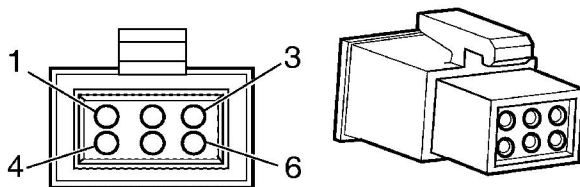
### Terminal Part Information

- | Terminal/Tray: 12191819/8
- | Core/Insulation Crimp: E/A
- | Release Tool/Test Probe: 15315247/J-35616-2A (GY)

### Battery Current Sensor

Pin	Wire Color	Circuit No.	Function
A	0.3 PK	5076	5-Volt Reference
B	0.3 BN	5077	Low Reference
C	0.3 WH/GN	5075	Battery Current Signal

### Battery Voltage Gauge



### Connector Part Information

- | OEM:
- | Service: See Catalog
- | Description: 6-Way F

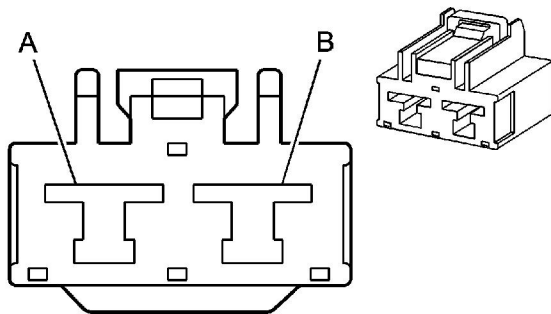
**Terminal Part Information**

- | Terminal/Tray: See Terminal Repair Kit
- | Core/Insulation Crimp: See Terminal Repair Kit
- | Release Tool/Test Probe: See Terminal Repair Kit

**Battery Voltage Gauge**

Pin	Wire Color	Circuit No.	Function
1	0.3 YE		Low Speed GMLAN Serial Data
2	0.3 D-BU		Ground
3	0.3 D-BU/RD		Battery Positive Voltage
4	0.3 YE		Low Speed GMLAN Serial Data
5	0.3 D-BU		Ground
6	0.3 D-BU/RD		Battery Positive Voltage

**Blower Motor (LHD)**



**Connector Part Information**

- | OEM: 7283-3123
- | Service: See Catalog
- | Description: 2-Way F (WH)

**Terminal Part Information**

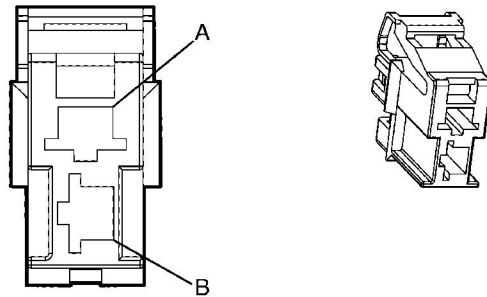
- | Terminal/Tray: 7116-6041/11
- | Core/Insulation Crimp: A/B
- | Release Tool/Test Probe: 12094430/J-35616-44 (YE)

**Blower Motor (LHD)**

Pin	Wire Color	Circuit No.	Function
-----	------------	-------------	----------

A	3 OG	5987	Ground
B	3 PU	65	Blower Motor Supply Voltage

### Blower Motor (RHD)



#### Connector Part Information

- | OEM: 7123-6020
- | Service: See Catalog
- | Description: 2-Way F

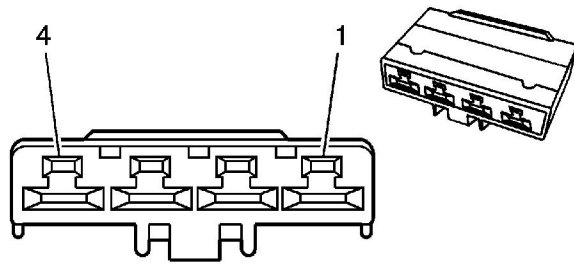
#### Terminal Part Information

- | Terminal/Tray: See Terminal Repair Kit
- | Core/Insulation Crimp: See Terminal Repair Kit
- | Release Tool/Test Probe: See Terminal Repair Kit

### Blower Motor (RHD)

Pin	Wire Color	Circuit No.	Function
A	3 D-GN	442	Battery Positive Voltage
B	3 OG	5987	HVAC Blower Motor Control Circuit

### Blower Motor Control Module



### Connector Part Information

- | OEM: 7283-3141-30
- | Service: See Catalog
- | Description: 4-Way F (BK)

### Terminal Part Information

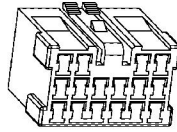
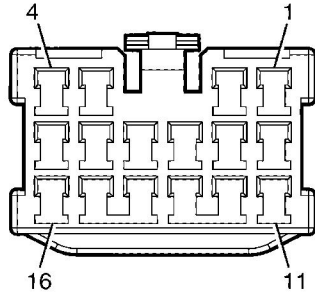
- | Pins: 1, 3, 4
- | Terminal/Tray: 7116-6041/11
- | Core/Insulation Crimp: A/B
- | Release Tool/Test Probe: 12094430/J-35616-44 (YE)
  
- | Pin: 2
- | Terminal/Tray: See Terminal Repair Kit
- | Core/Insulation Crimp: See Terminal Repair Kit
- | Release Tool/Test Probe: See Terminal Repair Kit

### Blower Motor Control Module

Pin	Wire Color	Circuit No.	Function
1	3 BK	850	Ground
2	0.5 GY/BK	754	Blower Motor Speed Control
3	3 PU	65	Blower Motor Supply Voltage
4	3 OG	5987	Blower Motor Low Reference

### Bluetooth Connector





## Connector Part Information

- | OEM: 1318386
- | Service: See Catalog
- | Description: 16-Way F

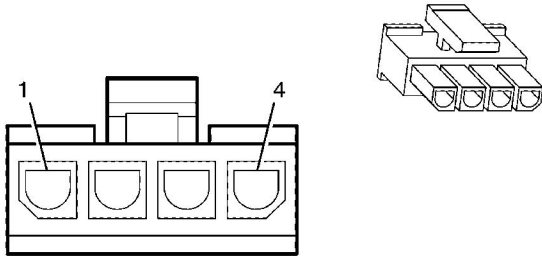
## Terminal Part Information

- | Terminal/Tray: See Terminal Repair Kit
- | Core/Insulation Crimp: See Terminal Repair Kit
- | Release Tool/Test Probe: See Terminal Repair Kit

## Bluetooth Connector

Pin	Wire Color	Circuit No.	Function
1	0.5 OG/WH		Battery Positive Voltage
2	0.5 PK/BU		Ignition 1 Voltage
3	0.5 L-GN		Backup Lamp Supply Voltage
4	0.3 D-GN		Low Speed GMLAN Serial Data
5	0.3 BN		Accessory Voltage
6	0.3 D-BU		Bluetooth Connector
7	0.3 OG/BK		Remote Playback Device Left Audio Signal
8	0.3 L-BU		Remote Playback Device Audio Common Signal
9	0.3 WH		Mute Signal
10	0.3 BK		Ground
11	0.3 D-BU		Cellular Telephone Voice Signal
12	0.3 L-BU/BK		Cellular Telephone Voice Low Reference
13	0.3 YE/BK		Cellular Telephone Mute Signal
14	0.5 GY		Left Front Speaker Output (-)
	0.85 L-BU		Front Center Speaker Output (-)
15	0.5 TN		Left Front Speaker Output (+)
	0.85 YE		Front Center Speaker Output (+)
16	--	--	Not Used

## Bluetooth Microphone



### Connector Part Information

- | OEM: 4365-0400
- | Service: See Catalog
- | Description: 4-Way

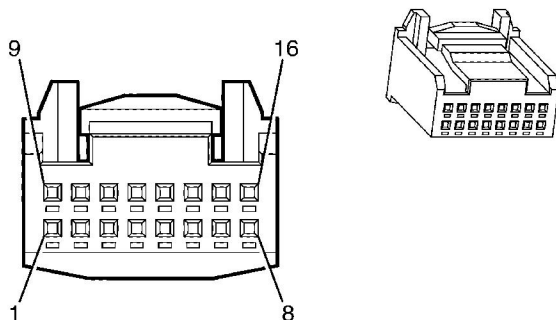
### Terminal Part Information

- | Terminal/Tray: See Terminal Repair Kit
- | Core/Insulation Crimp: See Terminal Repair Kit
- | Release Tool/Test Probe: See Terminal Repair Kit

## Bluetooth Microphone

Pin	Wire Color	Circuit No.	Function
1	0.3 D-BU	7043	Microphone Signal
2-3	--	--	Not Used
4	0.3 PK/BK	7044	Microphone Return

## Bluetooth Module





### Connector Part Information

- | OEM: 1318386-1
- | Service: See Catalog
- | Description: 16-Way F

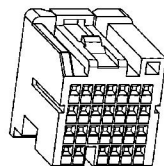
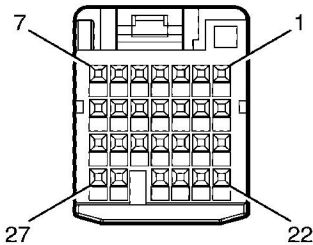
### Terminal Part Information

- | Terminal/Tray: See Terminal Repair Kit
- | Core/Insulation Crimp: See Terminal Repair Kit
- | Release Tool/Test Probe: See Terminal Repair Kit

### Bluetooth Module

Pin	Wire Color	Circuit No.	Function
1	0.3 L-BU/BK	659	Cellular Telephone Voice Low Reference
2-3	--	--	Not Used
4	0.3 D-BU	7148	Not Used
5	0.3 D-BU	7043	Microphone Signal
6	0.3 YE/BK	693	Cellular Telephone Mute Signal
7	0.3 YE	443	Accessory Voltage
8	--	--	Not Used
9	0.3 D-BU	658	Cellular Telephone Voice Signal
10-11	--	--	Not Used
12	0.3 PK/BK	7044	Microphone Return
13-14	--	--	Not Used
15	0.5 BK	1050	Ground
16	0.5 OG/WH	2340	Battery Positive Voltage

### Body Control Module (BCM) X1



## Connector Part Information

- | OEM: 7283-9177-60
- | Service: See Catalog
- | Description: 27-Way F (GN)

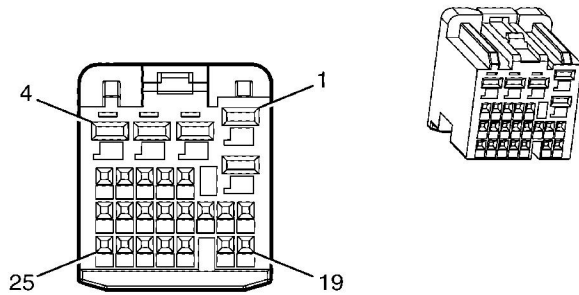
## Terminal Part Information

- | Terminal/Tray: See Terminal Repair Kit
- | Core/Insulation Crimp: See Terminal Repair Kit
- | Release Tool/Test Probe: See Terminal Repair Kit

## Body Control Module (BCM) X1

Pin	Wire Color	Circuit No.	Function
1	--	--	Not Used
2	0.3 WH	1390	Ignition Key Resistor Low Reference
3	0.5 GY	1884	Cruise Control Switch Signal
4	0.3 WH/BK	1073	Ignition Key Resistor Signal
5	0.3 L-GN	1715	Windshield Wiper Switch High Signal
6-7	--	--	Not Used
8	0.3 BK/WH	1251	Wiper Switch Low Reference
9	0.3 L-BU	1714	Windshield Wiper Switch Low Signal
10-13	--	--	Not Used
14	0.3 PK	3	Run/Crank Voltage
15	0.3 L-BU/WH	1414	Left Turn Signal Switch Signal
16	0.3 D-BU/WH	1415	Right Turn Signal Switch Signal
17	0.3 PU	1375	Remote Radio Control Supply Voltage
18	PU/YE	524	Headlamp Dimmer Switch High Beam Signal
19	--	--	Not Used
20	0.3 PU/RD	5526	Transmission Electronic Range Select Signal
21	0.3 BN	4	Ignition 1 Voltage
22	--	--	Not Used
23	0.5 YE	5356	Left Tail Lamp Monitoring (HSV)
24	0.3 OG	94	Windshield Washer Switch Signal
25	0.3 BN/RD	1356	Flash To Pass Switch Signal
26-27	--	--	Not Used

## Body Control Module (BCM) X2



## Connector Part Information

- | OEM: 7283-1373
- | Service: See Catalog
- | Description: 25-Way F (WH)

## Terminal Part Information

- | Terminal/Tray: See Terminal Repair Kit
- | Core/Insulation Crimp: See Terminal Repair Kit
- | Release Tool/Test Probe: See Terminal Repair Kit

## Body Control Module (BCM) X2

Pin	Wire Color	Circuit No.	Function
1	0.85 OG	1732	Inadvertent Power Supply Voltage
2	0.85 OG/BU	1240	Battery Positive Voltage
3	0.85 GY	8	Instrument Panel Lamp Supply Voltage
4	--	--	Not Used
5	0.85 D-BU/WH	149	Courtesy Lamp Supply Voltage
6-7	--	--	Not Used
8	0.3 BN/WH	301	Park Lamp Switch On Signal
9	--	--	Not Used
10	0.3 D-BU	6189	Rear Compartment Relay Switch
11	0.3 L-GN/BK	1137	DRL Ambient Light Sensor Signal
12	0.3 WH	103	Headlamp Switch Headlamps On Signal
13-16	--	--	Not Used
17	0.3 D-GN	306	Headlamp Switch Headlamps Off Signal
18	0.3 PK/BK	1597	Courtesy Lamps Switch Signal
19	--	--	Not Used
20	0.5 L-BU	553	Tow/Haul Switch Signal
21	0.3 BN/OG	1571	Traction Control Switch Signal
22	0.3 D-GN/WH	1135	A/T Shift Lock Control Solenoid Supply Voltage
23-24	--	--	Not Used

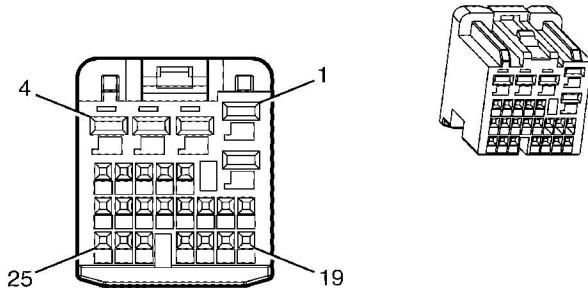
25

0.3 PU

328

Interior Lamp Switch Signal

## Body Control Module (BCM) X3



### Connector Part Information

- | OEM: 7283-1374-90
- | Service: See Catalog
- | Description: 25-Way F (BU)

### Terminal Part Information

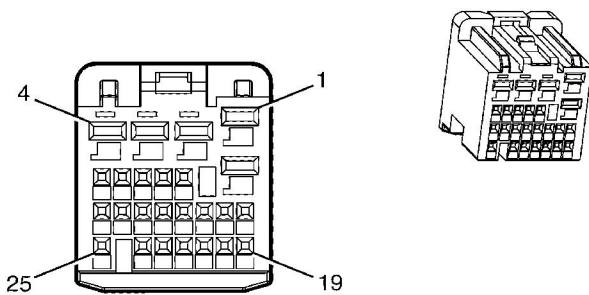
- | Terminal/Tray: See Terminal Repair Kit
- | Core/Insulation Crimp: See Terminal Repair Kit
- | Release Tool/Test Probe: See Terminal Repair Kit

## Body Control Module (BCM) X3

Pin	Wire Color	Circuit No.	Function
1	0.85 BK	850	Ground
2	0.85 OG/YE	1640	Battery Positive Voltage
3	0.85 OG/RD	2740	Battery Positive Voltage
4	--	--	Not Used
5	0.85 BK	850	Ground
6	--	--	Not Used
7	0.3 GY	728	Security Indicator Control
8	0.5 BN/BK	9004	High Speed GMLAN Serial Data Bus+
9	0.5 BN	9005	High Speed GMLAN Serial Data Bus-
10	D-GN	9208	Low Speed GMLAN Serial Data
11-12	--	--	Not Used
13	0.5 L-GN	526	Stop Lamp Switch Signal
14	0.5 BN/RD	552	Low Reference
15	0.5 GY	598	5-Volt Reference

16	0.5 BN/BK	9006	High Speed GMLAN Serial Data Bus+
17	0.5 BN	9007	High Speed GMLAN Serial Data Bus-
18	0.3 YE	6817	LED Backlight Dimming Control
19	0.3 PU/WH	5727	Communication Enable Relay Control
20	--	--	Not Used
21	0.3 OG	192	Fog Lamp Switch
22-24	--	--	Not Used
25	0.3 PU/WH	6816	RPA Switch LED Backlight Dimming Control

## Body Control Module (BCM) X4



### Connector Part Information

- | OEM: 7283-1375-30
- | Service: See Catalog
- | Description: 25-Way F (BK)

### Terminal Part Information

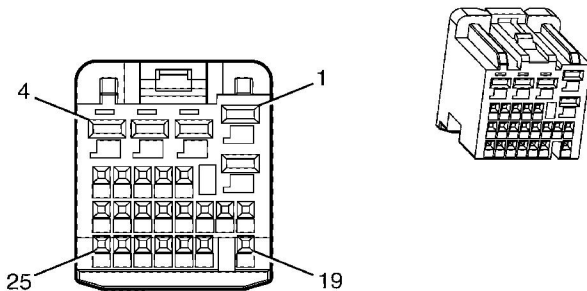
- | Terminal/Tray: See Terminal Repair Kit
- | Core/Insulation Crimp: See Terminal Repair Kit
- | Release Tool/Test Probe: See Terminal Repair Kit

## Body Control Module (BCM) X4

Pin	Wire Color	Circuit No.	Function
1	0.85 OG/RD	340	Battery Positive Voltage
2	0.85 OG	240	Battery Positive Voltage
3	0.85 OG/PU	440	Battery Positive Voltage
4	0.85 OG/PU	2140	Battery Positive Voltage
5	0.75 D-BU/WH	1315	Right Front Turn Signal Lamp Supply Voltage
6	--	--	Not Used
7	0.3 YE	196	Windshield Wiper Motor Park Switch Signal

8	--	--	Not Used
9	0.3 BK	1850	Ground
10	0.3 OG/BU	2440	Battery Positive Voltage
11	0.3 D-GN/WH	1317	Fog Lamp Relay Control
12-13	--	--	Not Used
14	0.5 OG	482	Outside Moisture Sensor Signal 2
15	0.5 OG	2268	Washer Fluid Pump Relay Control
16	0.3 BN/YE	1969	Headlamp High Beam Relay Control
17	0.3 PK/BK	109	Hood Ajar Switch Signal
18	0.3 BN	481	Outside Moisture Sensor Signal 1
19	0.3 D-BU	5985	Accessory Wakeup Serial Data
20	--	--	Not Used
21	0.3 PK	1439	Run/Crank Control
22	0.3 BN	253	Trunk Release Relay Control
23	--	--	Not Used
24	0.3 D-GN	646	Backup Lamp Relay Control
25	--	--	Not Used

## Body Control Module (BCM) X5



### Connector Part Information

- | OEM: 7283-1377-80
- | Service: See Catalog
- | Description: 25-Way F (BN)

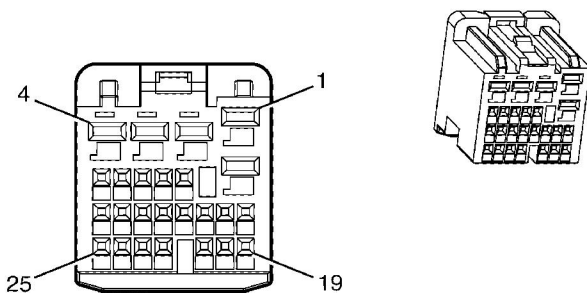
### Terminal Part Information

- | Terminal/Tray: See Terminal Repair Kit
- | Core/Insulation Crimp: See Terminal Repair Kit
- | Release Tool/Test Probe: See Terminal Repair Kit



**Body Control Module (BCM) X5**

Pin	Wire Color	Circuit No.	Function
1	0.85 YE/BK	1334	Left Rear Turn Signal Lamp Supply Voltage
2	0.85 D-GN/WH	1335	Right Rear Turn Signal Lamp Supply Voltage
3	--	--	Not Used
4	0.75 L-BU/WH	1314	Left Front Turn Signal Lamp Supply
5	0.85 BN	5998	Puddle Lamp Supply Voltage
6	0.5 WH/BU	17	Stop Lamp Switch Signal
7	--	--	Not Used
8	0.3 PK	5076	5-Volt Reference
9	0.3 WH/GN	5075	Battery Current Signal
10	0.3 BN	5077	Low Reference
11	0.3 BN/YE	707	RAP Relay Coil Supply Voltage
12-13	--	--	Not Used
14	0.3 YE	43	Accessory Power Relay Control
15	0.3 PU	5531	Hood Closed Switch Signal
16	0.5 OG/BK	233	Park Brake Switch Signal
17	0.5 PU	5357	Right Tail Lamp Monitoring (HSV)
18	0.3 BN/BK	28	Horn Relay Control
19	--	--	Not Used
20	0.3 GY	91	Windshield Wiper Switch Signal 2
21	0.3 BN/RD	860	Front Windshield Wiper Switch High Signal
22	--	--	Not Used
23	0.3 PK/WH	1970	Headlamp Low Beam Relay Control
24	0.3 WH/YE	1080	Park Lamp Relay Control
25	--	--	Not Used

**Body Control Module (BCM) X6**

### Connector Part Information

- | OEM: 7283-1376-50
- | Service: See Catalog
- | Description: 25-Way F (PK)

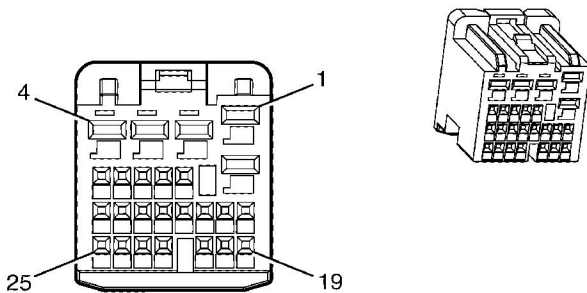
### Terminal Part Information

- | Terminal/Tray: See Terminal Repair Kit
- | Core/Insulation Crimp: See Terminal Repair Kit
- | Release Tool/Test Probe: See Terminal Repair Kit

### Body Control Module (BCM) X6

Pin	Wire Color	Circuit No.	Function
1	--	--	Not Used
2	1.25 L-BU	20	Stop Lamp Supply Voltage
3-7	--	--	Not Used
8	0.3 BN/WH	746	Passenger Front Door Ajar Switch Signal
9	--	--	Not Used
10	0.3 GY/BK	745	Driver Door Ajar Switch Signal
11-19	--	--	Not Used
20	0.3 PK	781	Driver Door Lock Switch Unlock Signal
21	--	--	Not Used
22	0.3 OG/BK	744	Liftgate Ajar Switch Signal
23	0.3 PK/BK	780	Driver Door Lock Switch Lock Signal
24-25	--	--	Not Used

### Body Control Module (BCM) X7



### Connector Part Information

- | OEM: 7283-1376-50
- | Service: See Catalog

- | Description: 25-Way F (GY)

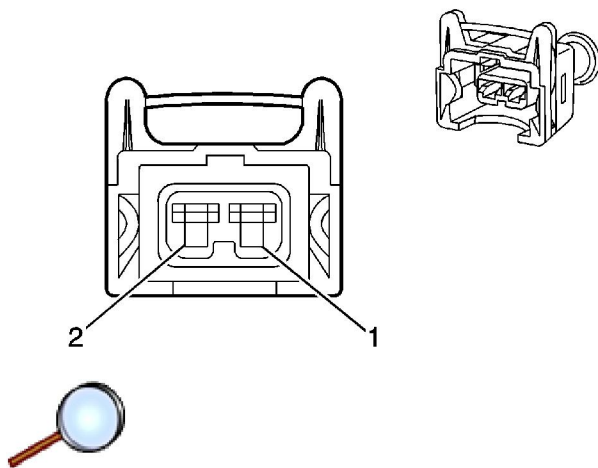
## Terminal Part Information

- | Terminal/Tray: See Terminal Repair Kit
- | Core/Insulation Crimp: See Terminal Repair Kit
- | Release Tool/Test Probe: See Terminal Repair Kit

## Body Control Module (BCM) X7

Pin	Wire Color	Circuit No.	Function
1	--	--	Not Used
2	0.3 WH	2282	Headlamp Washer Relay Control
3-5	--	--	Not Used
6	0.3 L-BU	5921	Door Unlock Supply Voltage
7	0.3 D-BU/WH	195	Door Lock Control
8	--	--	Not Used
9	0.3 WH	194	Door Unlock Control
10	0.3 GY/BU	7388	Headlamp Dimming Switch Up
11	0.3 BN/BK	254	Power Door Unlock Fuse Supply Voltage
12	0.3 GY/BK	255	Power Door Lock Fuse Supply Voltage
13-15	--	--	Not Used
16	0.35 L-BU	187	Fog Lamp Switch - Output - Rear
17-23	--	--	Not Used
24	0.3 GY/WH	7389	Headlamp Dimming Switch Down
25-28	--	--	Not Used

## Brake Fluid Level Switch



## Connector Part Information

- | OEM: 7219-5226-30
- | Service: See Catalog

- | Description: 2-Way F (BK)

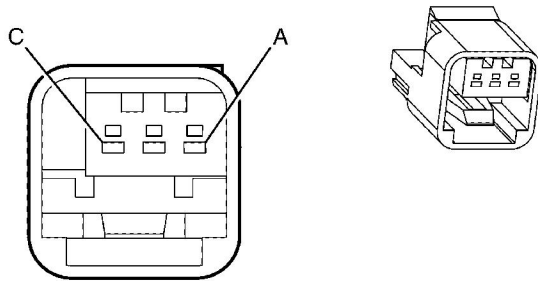
### Terminal Part Information

- | Terminal/Tray: See Terminal Repair Kit
- | Core/Insulation Crimp: See Terminal Repair Kit
- | Release Tool/Test Probe: See Terminal Repair Kit

### Brake Fluid Level Switch

Pin	Wire Color	Circuit No.	Function
1	0.3 BN/WH	33	Brake Warning Indicator Control
2	0.3 BK	350	Ground

### Brake Pedal Position (BPP) Sensor



### Connector Part Information

- | OEM: 7283-2525-30
- | Service: 88953364
- | Description: 3-Way F (BK)

### Terminal Part Information

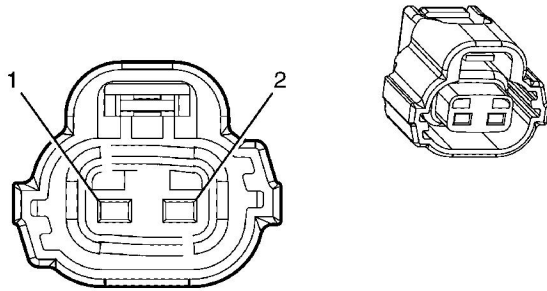
- | Terminal/Tray: 12191812/19
- | Core/Insulation Crimp: E/C
- | Release Tool/Test Probe: 15315247/J-35616-2A (GY)

### Brake Pedal Position (BPP) Sensor

Pin	Wire Color	Circuit No.	Function
A	0.5 GY	598	5-Volt Reference
B	0.5 L-GN	526	Stop Lamp Switch Signal
C	0.5 BN/RD	552	Low Reference

### Camshaft Position (CMP) Actuator Solenoid Valve - Bank 1

## Exhaust (LY7)



### Connector Part Information

- | OEM: 7283-7526-30
- | Service: 88988588
- | Description: 2-Way F Sealed (BK)

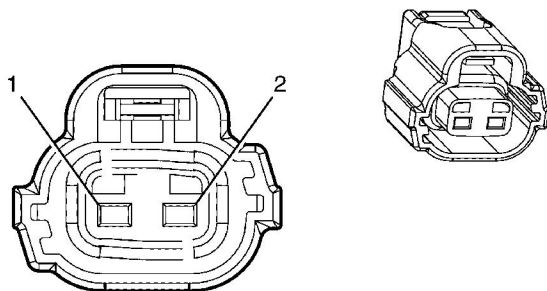
### Terminal Part Information

- | Terminal/Tray: 7116-4026/11
- | Core/Insulation Crimp: E/1
- | Release Tool/Test Probe: 15313892/J-35616-18 (BK)

## Camshaft Position (CMP) Actuator Solenoid Valve - Bank 1 Exhaust (LY7)

Pin	Wire Color	Circuit No.	Function
1	0.75 PK/BU	5293	Ignition 1 Voltage
2	0.75 L-GN	5282	CMP Actuator Solenoid Control - Exhaust Bank 1

## Camshaft Position (CMP) Actuator Solenoid Valve - Bank 1 Intake (LY7)





### Connector Part Information

- | OEM: 7283-7526-30
- | Service: 88988588
- | Description: 2-Way F Sealed (BK)

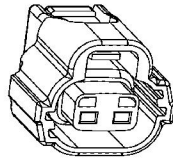
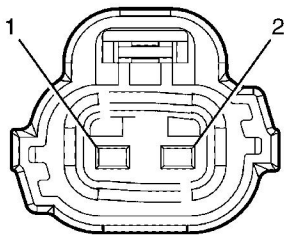
### Terminal Part Information

- | Terminal/Tray: 7116-4026/11
- | Core/Insulation Crimp: E/1
- | Release Tool/Test Probe: 15313892/J-35616-18 (BK)

### Camshaft Position (CMP) Actuator Solenoid Valve - Bank 1 Intake (LY7)

Pin	Wire Color	Circuit No.	Function
1	0.75 PK/BU	5293	Ignition 1 Voltage
2	0.75 PU	5284	CMP Actuator Solenoid Control - Intake Bank 1

### Camshaft Position (CMP) Actuator Solenoid Valve - Bank 2 Exhaust (LY7)



### Connector Part Information

- | OEM: 7283-7526-30
- | Service: 88988588
- | Description: 2-Way F Sealed (BK)

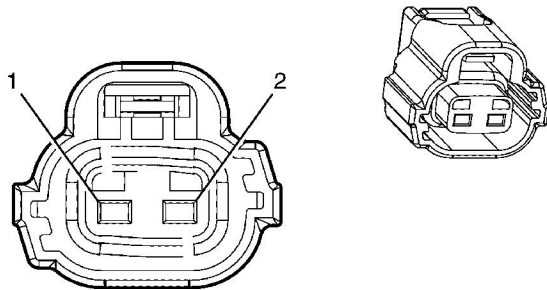
### Terminal Part Information

- | Terminal/Tray: 7116-4026/11
- | Core/Insulation Crimp: E/1
- | Release Tool/Test Probe: 15313892/J-35616-18 (BK)

### Camshaft Position (CMP) Actuator Solenoid Valve - Bank 2 Exhaust (LY7)

Pin	Wire Color	Circuit No.	Function
1	0.75 PK/BU	5293	Ignition 1 Voltage
2	0.75 WH/BK	5283	CMP Actuator Solenoid Control - Exhaust Bank 2

### Camshaft Position (CMP) Actuator Solenoid Valve - Bank 2 Intake (LY7)



#### Connector Part Information

- | OEM: 7283-7526-30
- | Service: 88988588
- | Description: 2-Way F Sealed (BK)

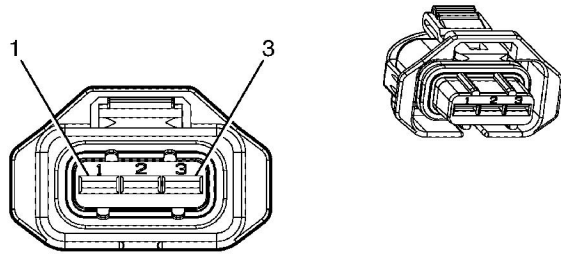
#### Terminal Part Information

- | Terminal/Tray: 7116-4026/11
- | Core/Insulation Crimp: E/1
- | Release Tool/Test Probe: 15313892/J-35616-18 (BK)

### Camshaft Position (CMP) Actuator Solenoid Valve - Bank 2 Intake (LY7)

Pin	Wire Color	Circuit No.	Function
1	0.75 PK/BU	5293	Ignition 1 Voltage
2	0.75 OG/BK	5272	CMP Actuator Solenoid Control - Intake Bank 2

### Camshaft Position (CMP) Sensor - Bank 1 Exhaust (LY7)



### Connector Part Information

- | OEM: 7283-6206-30
- | Service: See Catalog
- | Description: 3-Way F (BK)

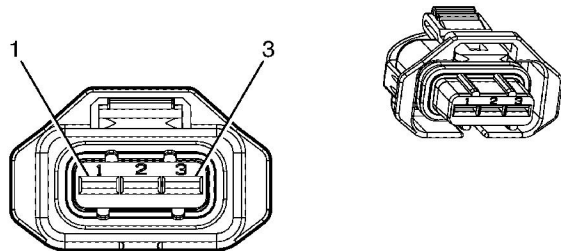
### Terminal Part Information

- | Terminal/Tray: See Terminal Repair Kit
- | Core/Insulation Crimp: See Terminal Repair Kit
- | Release Tool/Test Probe: See Terminal Repair Kit

### Camshaft Position (CMP) Sensor - Bank 1 Exhaust (LY7)

Pin	Wire Color	Circuit No.	Function
1	0.75 PK/BK	632	Low Reference
2	0.5 D-GN	5273	CMP Sensor Signal - Exhaust Bank 1
3	0.75 GY	705	5-Volt Reference

### Camshaft Position (CMP) Sensor - Bank 1 Intake (LY7)



### Connector Part Information



- | OEM: 7283-6206-30
- | Service: See Catalog
- | Description: 3-Way F (BK)

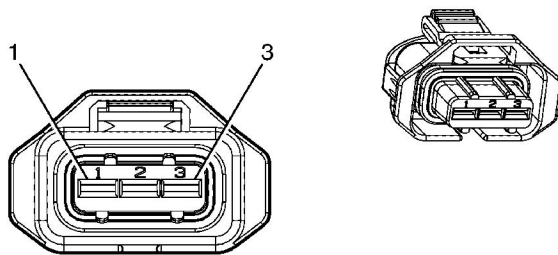
### Terminal Part Information

- | Terminal/Tray: See Terminal Repair Kit
- | Core/Insulation Crimp: See Terminal Repair Kit
- | Release Tool/Test Probe: See Terminal Repair Kit

### Camshaft Position (CMP) Sensor - Bank 1 Intake (LY7)

Pin	Wire Color	Circuit No.	Function
1	0.5 PK/BK	632	Low Reference
2	0.5 OG/BU	5275	CMP Sensor Signal - Intake Bank 1
3	0.5 GY	705	5-Volt Reference

### Camshaft Position (CMP) Sensor - Bank 2 Exhaust (LY7)



### Connector Part Information

- | OEM: 7283-6206-30
- | Service: See Catalog
- | Description: 3-Way F (BK)

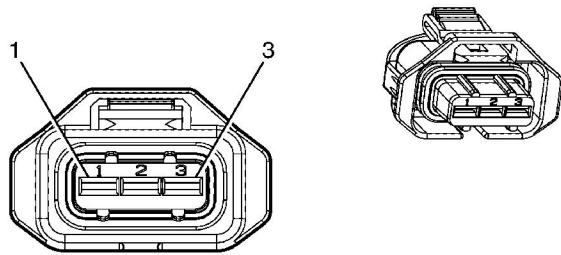
### Terminal Part Information

- | Terminal/Tray: See Terminal Repair Kit
- | Core/Insulation Crimp: See Terminal Repair Kit
- | Release Tool/Test Probe: See Terminal Repair Kit

### Camshaft Position (CMP) Sensor - Bank 2 Exhaust (LY7)

Pin	Wire Color	Circuit No.	Function
1	0.5 PK/BK	632	Low Reference
2	0.5 PU	5274	CMP Sensor Signal - Exhaust Bank 2
3	0.5 GY	705	5-Volt Reference

## Camshaft Position (CMP) Sensor - Bank 2 Intake (LY7)



### Connector Part Information

- | OEM: 7283-6206-30
- | Service: See Catalog
- | Description: 3-Way F

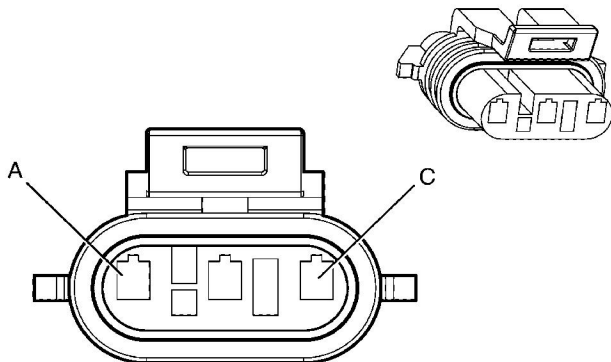
### Terminal Part Information

- | Terminal/Tray: See Terminal Repair Kit
- | Core/Insulation Crimp: See Terminal Repair Kit
- | Release Tool/Test Probe: See Terminal Repair Kit

## Camshaft Position (CMP) Sensor - Bank 2 Intake (LY7)

Pin	Wire Color	Circuit No.	Function
1	0.5 PK/BK	632	Low Reference
2	0.5 PU	5276	CMP Sensor Signal - Intake Bank 2
3	0.5 GY	705	5-Volt Reference

## Camshaft Position (CMP) Sensor (LS2 or HSV or L98)





### Connector Part Information

- | OEM: 7223-9735-30
- | Service: 88986451
- | Description: 3-Way F

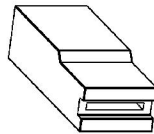
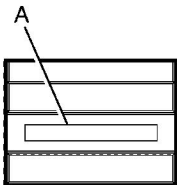
### Terminal Part Information

- | Terminal/Tray: 12048074/2
- | Core/Insulation Crimp: E/1
- | Release Tool/Test Probe: 12094429/J-35616-14 (GN)

### Camshaft Position (CMP) Sensor (LS2 or HSV or L98)

Pin	Wire Color	Circuit No.	Function
A	0.5 OG	631	5-Volt Reference
B	0.5 PK/BK	632	Low Reference
C	0.5 BN/WH	633	CMP Sensor Signal

### Center Console Compartment Lamp X1



### Connector Part Information

- | OEM: 7123-0073-30
- | Service: See Catalog
- | Description: 1-Way F (BK)

### Terminal Part Information

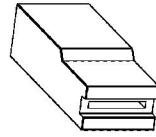
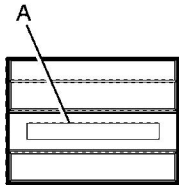
- | Terminal/Tray: See Terminal Repair Kit
- | Core/Insulation Crimp: See Terminal Repair Kit
- | Release Tool/Test Probe: See Terminal Repair Kit

### Center Console Compartment Lamp X1



Pin	Wire Color	Circuit No.	Function
A	0.85 OG	1732	Courtesy Lamps Supply Voltage

### Center Console Compartment Lamp X2



#### Connector Part Information

- | OEM: 7123-0073-30
- | Service: See Catalog
- | Description: 1-Way F (BK)

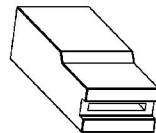
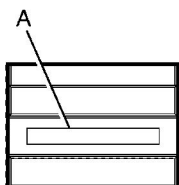
#### Terminal Part Information

- | Terminal/Tray: See Terminal Repair Kit
- | Core/Insulation Crimp: See Terminal Repair Kit
- | Release Tool/Test Probe: See Terminal Repair Kit

### Center Console Compartment Lamp X2

Pin	Wire Color	Circuit No.	Function
A	0.5 GY	157	Courtesy Lamp Control

### Center Console Compartment Lamp Switch X1





### Connector Part Information

- | OEM: 7123-0073-30
- | Service: See Catalog
- | Description: 1-Way F (BK)

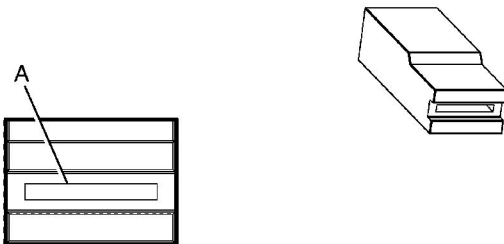
### Terminal Part Information

- | Terminal/Tray: See Terminal Repair Kit
- | Core/Insulation Crimp: See Terminal Repair Kit
- | Release Tool/Test Probe: See Terminal Repair Kit

### Center Console Compartment Lamp Switch X1

Pin	Wire Color	Circuit No.	Function
A	0.5 GY	157	Courtesy Lamp Control

### Center Console Compartment Lamp Switch X2



### Connector Part Information

- | OEM: 7123-0073-30
- | Service: See Catalog
- | Description: 1-Way F (BK)

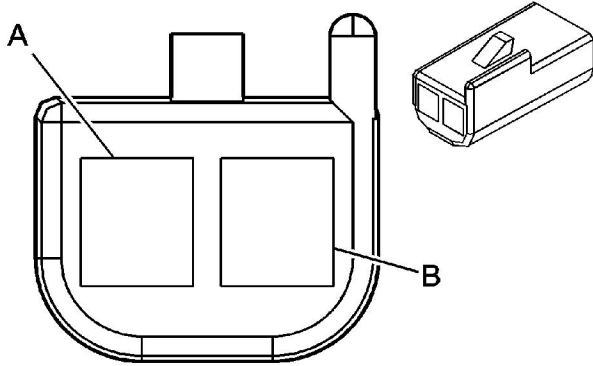
### Terminal Part Information

- | Terminal/Tray: See Terminal Repair Kit
- | Core/Insulation Crimp: See Terminal Repair Kit
- | Release Tool/Test Probe: See Terminal Repair Kit

### Center Console Compartment Lamp Switch X2

Pin	Wire Color	Circuit No.	Function
A	0.5 BK	850	Ground

## Center High Mounted Stop Lamp (CHMSL)



### Connector Part Information

- | OEM: 12047662
- | Service: 12085535
- | Description: 2-Way F Metri-Pack 150 Series (BK)

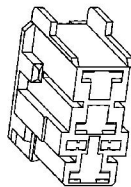
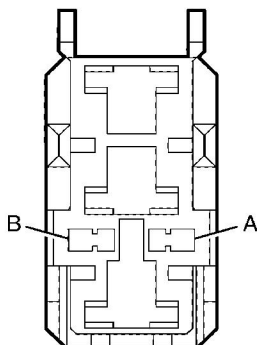
### Terminal Part Information

- | Terminal/Tray: See Terminal Repair Kit
- | Core/Insulation Crimp: See Terminal Repair Kit
- | Release Tool/Test Probe: See Terminal Repair Kit

## Center High Mounted Stop Lamp (CHMSL)

Pin	Wire Color	Circuit No.	Function
A	0.5 L-BU	20	Stop Lamp Supply Voltage
B	0.5 BK/WH	851	Ground

## Clutch Pedal Position (CPP) Switch



### Connector Part Information

- | OEM:
- | Service:
- | Description:

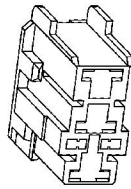
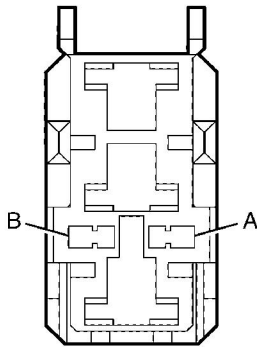
### Terminal Part Information

- | Terminal/Tray: See Terminal Repair Kit
- | Core/Insulation Crimp: See Terminal Repair Kit
- | Release Tool/Test Probe: See Terminal Repair Kit

### Clutch Pedal Position (CPP) Switch

Pin	Wire Color	Circuit No.	Function
A	0.5 BN/WH		CPP Switch Signal
B	0.5 PK		Ignition 1 Voltage

### Clutch Safety Switch (not an approved name)



### Connector Part Information

- | OEM:
- | Service:
- | Description:

### Terminal Part Information

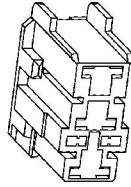
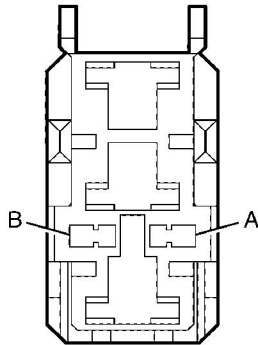
- | Terminal/Tray: See Terminal Repair Kit
- | Core/Insulation Crimp: See Terminal Repair Kit
- | Release Tool/Test Probe: See Terminal Repair Kit

### Clutch Safety Switch (not an approved name)

Pin	Wire Color	Circuit No.	Function
A	0.5 D-GN		Clutch Start/Neutral Start (without LY7)
	0.5 OG/BK		Clutch Start/Neutral Start (LY7)

B	0.5 BK	Ground
---	--------	--------

## Clutch Start Switch



### Connector Part Information

- | OEM:
- | Service:
- | Description:

### Terminal Part Information

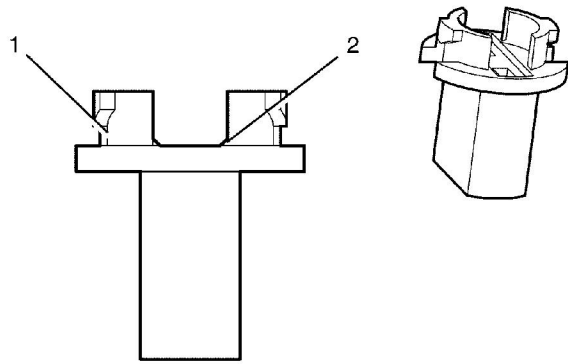
- | Terminal/Tray: See Terminal Repair Kit
- | Core/Insulation Crimp: See Terminal Repair Kit
- | Release Tool/Test Probe: See Terminal Repair Kit

## Clutch Start Switch

Pin	Wire Color	Circuit No.	Function
A	0.5 D-GN		Clutch Start/Neutral Start (without LY7)
	0.5 OG/BK		Clutch Start/Neutral Start (LY7)
B	0.5 BK		Ground

## Courtesy Lamp - Left Footwell





**Connector Part Information**

- | OEM: 7141-5030-80
- | Service: See Catalog
- | Description:

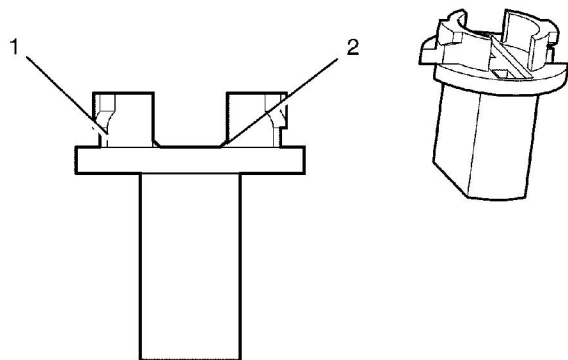
**Terminal Part Information**

- | Terminal/Tray: See Terminal Repair Kit
- | Core/Insulation Crimp: See Terminal Repair Kit
- | Release Tool/Test Probe: See Terminal Repair Kit

**Courtesy Lamp - Left Footwell**

Pin	Wire Color	Circuit No.	Function
1	0.5 D-BU/WH	149	Courtesy Lamp Supply Voltage
2	0.5 BK	1450	Ground

**Courtesy Lamp - Right Footwell**



**Connector Part Information**

- | OEM: 7141-5030-80

- | Service: See Catalog
- | Description:

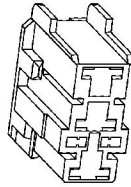
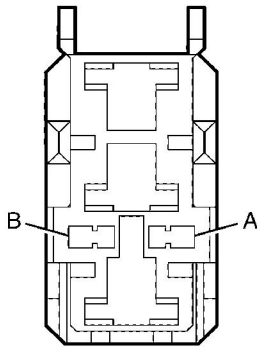
**Terminal Part Information**

- | Terminal/Tray: See Terminal Repair Kit
- | Core/Insulation Crimp: See Terminal Repair Kit
- | Release Tool/Test Probe: See Terminal Repair Kit

**Courtesy Lamp - Right Footwell**

Pin	Wire Color	Circuit No.	Function
1	0.5 D-BU/WH	149	Courtesy Lamp Supply Voltage
2	0.5 BK	850	Ground

**Cruise Control Clutch Pedal Release Switch**



**Connector Part Information**

- | OEM:
- | Service:
- | Description:

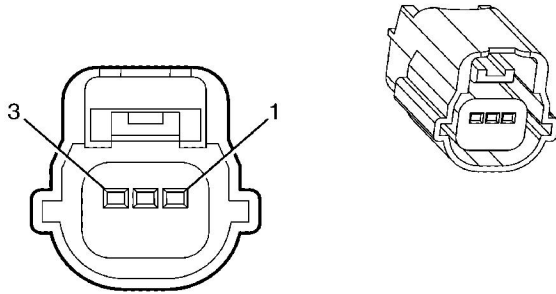
**Terminal Part Information**

- | Terminal/Tray:
- | Core/Insulation Crimp:
- | Release Tool/Test Probe:

**Cruise Control Clutch Pedal Release Switch**

Pin	Wire Color	Circuit No.	Function
A	0.5 BN/WH		Clutch Disable Clutch SW Signal
B	0.5 PK		Ignition 1 Voltage (LY7)
	0.5 PK/BU		Ignition 1 Voltage (without LY7)

**Crankshaft Position (CKP) Sensor (LY7)**



### Connector Part Information

- | OEM: 7283-0283-30
- | Service: See Catalog
- | Description: 3-Way F (BK)

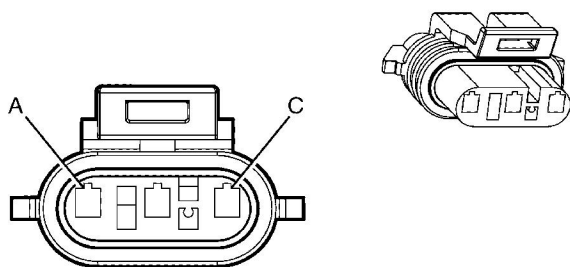
### Terminal Part Information

- | Terminal/Tray: See Terminal Repair Kit
- | Core/Insulation Crimp: See Terminal Repair Kit
- | Release Tool/Test Probe: See Terminal Repair Kit

### Crankshaft Position (CKP) Sensor (LY7)

Pin	Wire Color	Circuit No.	Function
1	0.5 PU	574	Low Reference
2	0.5 YE/BU	573	CKP Sensor Signal
3	0.5 PU/WH	605	5-Volt Reference

### Crankshaft Position (CKP) Sensor (without LY7)



### Connector Part Information

- | OEM: 7223-9736-40
- | Service: 88987997
- | Description: 3-Way F

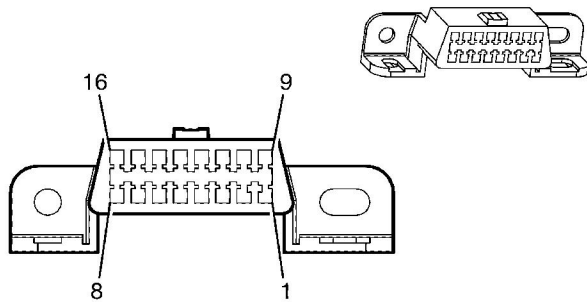
### Terminal Part Information

- | Terminal/Tray: 12048074/2
- | Core/Insulation Crimp: E/1
- | Release Tool/Test Probe: 12094429/J-35616-14 (GN)

### Crankshaft Position (CKP) Sensor (without LY7)

Pin	Wire Color	Circuit No.	Function
1	0.5 D-BU/WH	1869	CKP Sensor Signal
2	0.5 YE/BK	1868	Low Reference
3	0.5 L-GN	1867	12-Volt Reference

### Data Link Connector (DLC)



### Connector Part Information

- | OEM: 7123-9265-30
- | Service: See Catalog
- | Description: 16-Way F (BK)

### Terminal Part Information

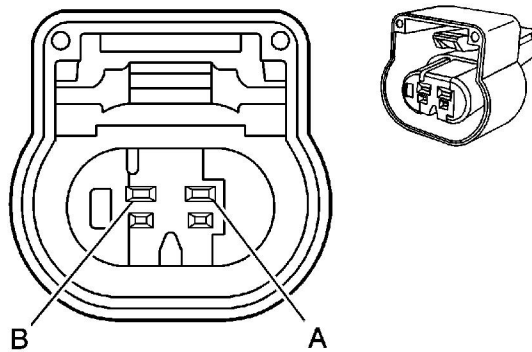
- | Pins: 1, 4, 5, 16
- | Terminal/Tray: 12129484/19
- | Core/Insulation Crimp: E/C
- | Release Tool/Test Probe: 12094429/J-35616-14 (GN)
  
- | Pins: 6, 14
- | Terminal/Tray: 12129484/19
- | Core/Insulation Crimp: E/C

| Release Tool/Test Probe: 12094429/J-35616-14 (GN)

### Data Link Connector (DLC)

Pin	Wire Color	Circuit No.	Function
1	0.35 L-GN	9200	Low Speed GMLAN Serial Data
2-3	--	--	Not Used
4	0.3 BK	850	Ground
5	0.3 BK	850	Ground
6	0.5 BN/BK	9004	High Speed GMLAN Serial Data Bus+
7-13	--	--	Not Used
14	0.5 BN	9005	High Speed GMLAN Serial Data Bus-
15	--	--	Not Used
16	0.5 OG/WH	1840	Battery Positive Voltage

### Data Link Resistor



#### Connector Part Information

- | OEM: 7282-9913-30
- | Service: See Catalog
- | Description: 2-Way F (BK)

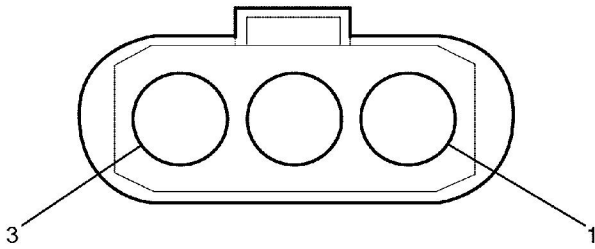
#### Terminal Part Information

- | Terminal/Tray: 12191819/8
- | Core/Insulation Crimp: E/A
- | Release Tool/Test Probe: 15315247/J-35616-2A (GY)

### Data Link Resistor

Pin	Wire Color	Circuit No.	Function
A	0.5 BN/BK	9010	High Speed GMLAN Serial Data Bus+
B	0.5 BN	9011	High Speed GMLAN Serial Data Bus-

## Diagnostic Connector (LPG)

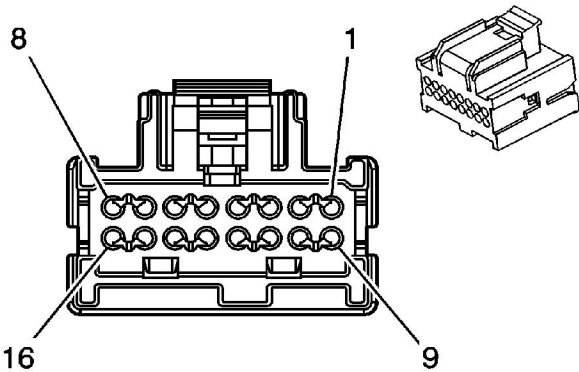


### Connector Part Information Terminal Part Information

## Diagnostic Connector (LPG)

Pin	Wire Color	Circuit No.	Function
1	0.5 BK	--	Ground
2	0.5 BK	--	Ground
3	0.75 PK/BU	--	Ignition Voltage

## Digital Radio Receiver (U2K)



### Connector Part Information

- | OEM: 7229-3239-30
- | Service: See Catalog
- | Description: 16-Way F Micro-Pack 64 Series (BK)

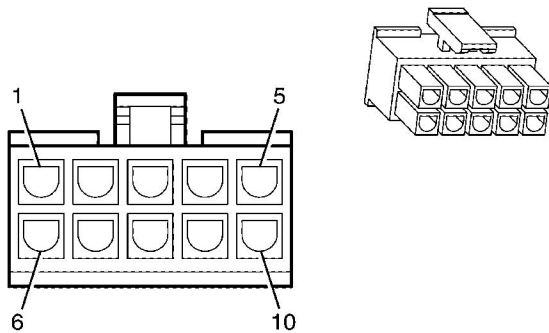
### Terminal Part Information

- | Terminal/Tray: See Terminal Repair Kit
- | Core/Insulation Crimp: See Terminal Repair Kit
- | Release Tool/Test Probe: See Terminal Repair Kit

### Digital Radio Receiver (U2K)

Pin	Wire Color	Circuit No.	Function
1	0.5 BN/WH	372	Remote Radio Audio Output (-)
2	0.5 D-GN	7007	Left Radio Audio Output
3	0.5 GY/BK	7008	Right Radio Audio Output
4	0.5 GY	388	Remote Radio Right Audio Signal
5	0.35 D-GN	9213	--
6-8	--	--	Not Used
9	0.5 BN	1050	Ground
10-15	--	--	Not Used
16	0.5 OG/WH	2340	Battery Positive Voltage

### Digital Video Disc (DVD) Control Module X1



#### Connector Part Information

- | OEM: 3046-10
- | Service: See Catalog
- | Description: 10-Way

#### Terminal Part Information

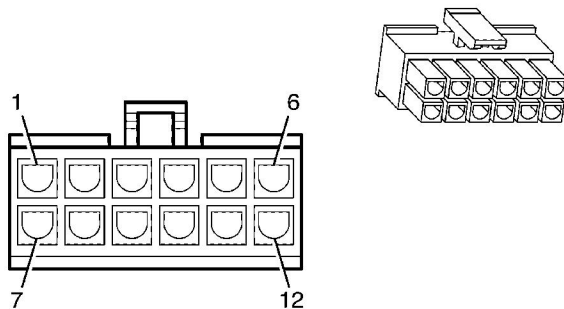
- | Terminal/Tray: See Terminal Repair Kit
- | Core/Insulation Crimp: See Terminal Repair Kit
- | Release Tool/Test Probe: See Terminal Repair Kit

### Digital Video Disc (DVD) Control Module X1

Pin	Wire Color	Circuit No.	Function

1	--	--	Not Used
2	0.3 D-GN	5060	Low Speed GMLAN Serial Data
3	0.5 RD/WH	4540	Battery Positive Voltage (RHD)
	0.5 OG/YE	4540	Battery Positive Voltage (LHD)
4	0.5 RD/WH	4540	Battery Positive Voltage (RHD)
	0.5 OG/YE	4540	Battery Positive Voltage (LHD)
5-7	--	--	Not Used
8	0.5 BK	1050	Ground
9	0.5 BK	1050	Ground
10	--	--	Not Used

## Digital Video Disc (DVD) Control Module X2



### Connector Part Information

- | OEM: 3046-12
- | Service: See Catalog
- | Description: 12-Way

### Terminal Part Information

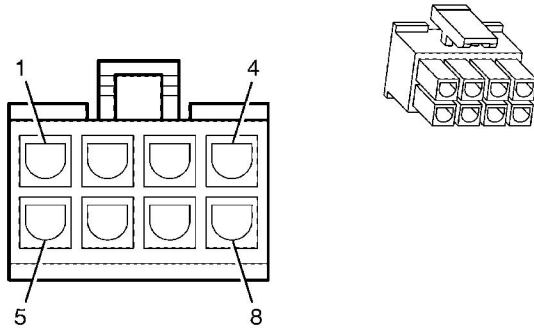
- | Terminal/Tray: See Terminal Repair Kit
- | Core/Insulation Crimp: See Terminal Repair Kit
- | Release Tool/Test Probe: See Terminal Repair Kit

## Digital Video Disc (DVD) Control Module X2

Pin	Wire Color	Circuit No.	Function
1	0.5 D-BU	5841	Auxiliary Audio Right Signal (+) (UWF)
2	0.5 BN/WH	5839	Auxiliary Audio Left Signal (+) (UWF)
3-7	--	--	Not Used
8	0.5 D-BU	7001	Common Auxiliary Audio Signal (-) (UWF)
9-12	--	--	Not Used



## Digital Video Disc (DVD) Control Module X3



### Connector Part Information

- | OEM: 3046-8
- | Service: See Catalog
- | Description: 8-Way

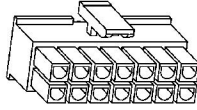
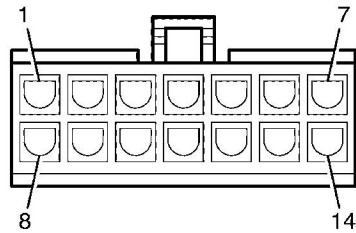
### Terminal Part Information

- | Terminal/Tray: See Terminal Repair Kit
- | Core/Insulation Crimp: See Terminal Repair Kit
- | Release Tool/Test Probe: See Terminal Repair Kit

## Digital Video Disc (DVD) Control Module X3

Pin	Wire Color	Circuit No.	Function
1	0.18 PU	5842	Auxiliary Video Signal (-) (RHD)
	0.18 BARE	5842	Auxiliary Video Signal (-)(LHD)
2	0.18 WH/RD	2058	Auxiliary Audio Right Signal (+) (RHD)
	0.18 RD	2058	Auxiliary Audio Right Signal (+) (LHD)
3	0.18 YE	2059	Auxiliary Audio Left Signal (+) (RHD)
	0.18 WH	2059	Auxiliary Audio Left Signal (+) (LHD)
4	--	--	Not Used
5	0.18 PU	5843	Auxiliary Video Signal (+) (RHD)
	0.18 BK	5843	Auxiliary Video Signal (+) (LHD)
6	0.18 WH/RD	5841	Auxiliary Audio Right Signal (-) (RHD)
	0.18 D-GN	5841	Auxiliary Audio Right Signal (-) (LHD)
7	0.18 YE	5839	Auxiliary Audio Left Signal (-) (RHD)
	0.18 PK	5839	Auxiliary Audio Left Signal (-) (LHD)
8	--	--	Not Used

## Digital Video Disc (DVD) Control Module X4



### Connector Part Information

- | OEM: 3046-14
- | Service: See Catalog
- | Description: 14-Way

### Terminal Part Information

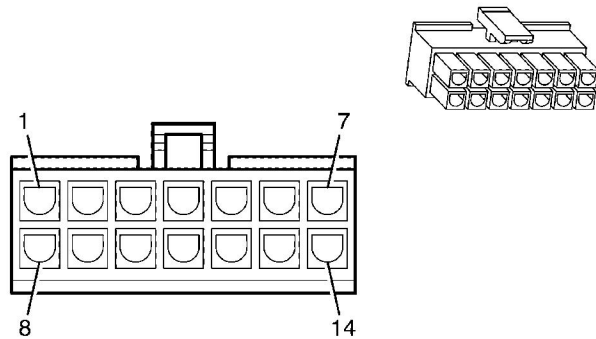
- | Terminal/Tray: See Terminal Repair Kit
- | Core/Insulation Crimp: See Terminal Repair Kit
- | Release Tool/Test Probe: See Terminal Repair Kit

### Digital Video Disc (DVD) Control Module X4

Pin	Wire Color	Circuit No.	Function
1	0.3 WH	9412	DVD Video Signal (-) (RHD and U56)
	0.3 GY	9412	DVD Video Signal (-) (without RHD and U56)
2	0.3 D-GN/WH	9410	DVD Audio Right Signal (+) (RHD and U56)
	0.3 WH	9410	DVD Audio Right Signal (+) (without RHD and U56)
3	0.3 L-GN	9408	DVD Audio Left Signal (+) (RHD and U56)
	0.3 L-BU	9408	DVD Audio Left Signal (+) (without RHD and U56)
4	--	--	Not Used
5	0.3 YE	9407	DVRX DVD IN (RHD and U56)
	0.3 YE/BK	9407	DVRX DVD IN (without RHD and U56)
6	0.3 L-BU	6871	DVD0V 1 DVD-1
7	0.3 OG	9405	DVD_IN_! DVD+1
8	0.3 WH	6975	DVD Video Signal (+) (RHD and U56)
	0.3 D-GN	6975	DVD Video Signal (+) (without RHD and U56)
9	0.3 D-GN/WH	9411	DVD Audio Right Signal (-) (RHD and U56)
	0.3 D-GN	9411	DVD Audio Right Signal (-) (without RHD and U56)
10	0.3 L-GN	9409	DVD Audio Left Signal (-) (RHD and U56)
	0.3 WH/BK	9409	DVD Audio Left Signal (-) (without RHD and U56)
11	--	--	Not Used

12	0.3 D-GN	1096	DVTX DVD IN (without LHD and U56)
	0.3 GY	1096	Passenger Door Lock Switch Low Reference (LHD and U56)
13	0.3 D-BU	9406	DVD0V 2 DVD-2
14	0.3 PK	6875	DVD_IN 2 DVD+2

## Digital Video Disc (DVD) Control Module X5



### Connector Part Information

- | OEM: 34046-14
- | Service: See Catalog
- | Description: 14-Way

### Terminal Part Information

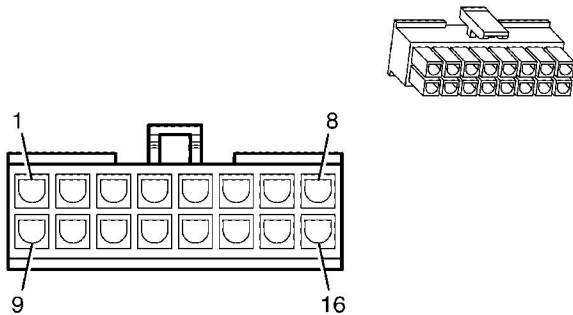
- | Terminal/Tray: See Terminal Repair Kit
- | Core/Insulation Crimp: See Terminal Repair Kit
- | Release Tool/Test Probe: See Terminal Repair Kit

## Digital Video Disc (DVD) Control Module X5

Pin	Wire Color	Circuit No.	Function
1	0.18 WH	6975	DVD Video Signal (-) (without LHD and U56)
	0.18 BK	6975	DVD Video Signal (-) (LHD and U56)
2	0.18 D-GN/WH	5828	DVD Audio Right Signal (+) (without LHD and U56)
	0.18 RD	5828	DVD Audio Right Signal (+) (LHD and U56)
3	0.18 L-GN	5826	DVD Audio Left Signal (+) (without LHD and U56)
	0.18 WH	5826	DVD Audio Left Signal (+) (LHD and U56)
4	0.18 BARE	5339	Shield (without LHD and U56)
	0.18 BARE	5339	Drain Wire (LHD and U56)
5	0.18 YE	5485	RS485 TX (without LHD and U56)
	0.18 GY	5485	RS485 TX (LHD and U56)
6	0.18 L-BU	6873	Ground (without LHD and U56)

	0.18 PU	6873	Ground (LHD and U56)
7	0.18 OG	6849	Battery Positive (without LHD and U56)
	0.18 YE	6849	Battery Positive (LHD and U56)
8	0.18 WH	6976	DVD Video Signal (+) (without LHD and U56)
	0.18 BK	6976	Battery Positive (LHD and U56)
9	0.18 D-GN/WH	5827	DVD Audio Right Signal (-) (without LHD and U56)
	0.18 RD	5827	DVD Audio Right Signal (-) (LHD and U56)
10	0.18 L-GN	5825	DVD Audio Left Signal (-) (without LHD and U56)
	0.18 WH	5825	DVD Audio Left Signal (-) (LHD and U56)
11	--	--	Not Used
12	0.18 D-GN	1098	RS485 RX (without LHD and U56)
	0.18 D-BU	1098	RS485 RX (LHD and U56)
13-14	--	--	Not Used

### Digital Video Disc (DVD) Control Module X6



#### Connector Part Information

- | OEM: 3046-16
- | Service: See Catalog
- | Description: 16-Way

#### Terminal Part Information

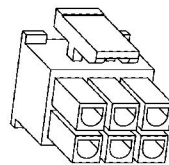
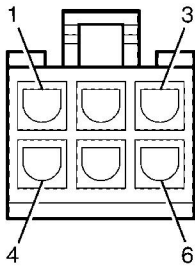
- | Terminal/Tray: See Terminal Repair Kit
- | Core/Insulation Crimp: See Terminal Repair Kit
- | Release Tool/Test Probe: See Terminal Repair Kit

### Digital Video Disc (DVD) Control Module X6

Pin	Wire Color	Circuit No.	Function
1	0.18 WH	6976	DVD Video Signal (-)
2	0.18 D-GN/WH	5828	DVD Audio Right Signal (+)

3	0.18 L-GN	5826	DVD Audio Left Signal (+)
4	0.18 BARE	5339	Shield
5	0.18 YE	5845	RS485TX
6	0.18 L-BU	6873	Ground
7	0.18 OG	6849	Battery Positive
8	--	--	Not Used
9	0.18 WH	6975	DVD Video Signal (+)
10	0.18 D-GN/WH	5827	DVD Audio Right Signal (-)
11	0.18 L-GN	5825	DVD Audio Left Signal (-)
12	--	--	Not Used
13	0.18 D-GN	1098	RS485RX
14-16	--	--	Not Used

### Digital Video Disc (DVD) Control Module X7



#### Connector Part Information

- | OEM: 3046-6
- | Service: See Catalog
- | Description: 6-Way

#### Terminal Part Information

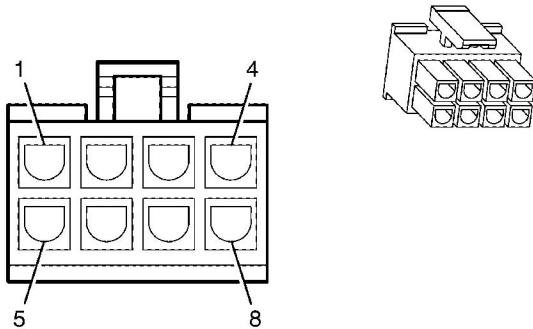
- | Terminal/Tray: See Terminal Repair Kit
- | Core/Insulation Crimp: See Terminal Repair Kit
- | Release Tool/Test Probe: See Terminal Repair Kit

### Digital Video Disc (DVD) Control Module X7

Pin	Wire Color	Circuit No.	Function
1	0.18 D-GN	9403	RX (U56 and RHD)
	0.18 D-BU	9403	RX (U56 and LHD)
	0.18 L-GN/BK	9403	RX (UWF)

2	0.18 L-BU	9401	Ground (U56)
	0.18 TN	9401	Ground (UW5)
3	--	--	Not Used
4	0.18 BARE	9404	Shield
5	0.18 YE	9402	TX (U56 and RHD)
	0.18 GY	9402	TX (U56 and LHD)
	0.18 YE/BK	9402	TX (UWF)
6	0.18 OG	9400	Video In (+) (without U56 and LHD)
	0.18 RD	9400	Video In (+) (U56 and LHD)

## Digital Video Disc (DVD) Control Module X8



### Connector Part Information

- | OEM: 34046-8
- | Service: See Catalog
- | Description: 8-Way

### Terminal Part Information

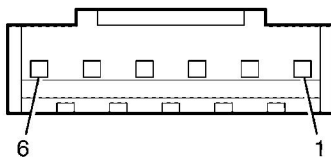
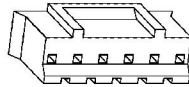
- | Terminal/Tray: See Terminal Repair Kit
- | Core/Insulation Crimp: See Terminal Repair Kit
- | Release Tool/Test Probe: See Terminal Repair Kit

## Digital Video Disc (DVD) Control Module X8

Pin	Wire Color	Circuit No.	Function
1	0.5 BK	5335	DVD Video Signal (-)
2	--	--	Not Used
3	0.5 RD	368	Right Audio Signal (+) (without RHD and U56)
	0.5 D-BU	368	Right Audio Signal (+) (RHD and U56)
4	0.5 WH	367	Left Audio Signal (+) (without RHD and U56)
	0.5 BN/WH	367	Left Audio Signal (+) (RHD and U56)

5	--	--	Not Used
6	0.5 BK	5334	DVD Video Signal (+)
7	--	--	Not Used
8	0.5 WH/RD	1547	Common Audio Signal (-) (without RHD and U56)
	0.5 D-GN	1547	Common Audio Signal (-) (RHD and U56)

## Digital Video Disc (DVD) Display X1



### Connector Part Information

- | OEM: LMA0150600A
- | Service: See Catalog
- | Description: 6-Way F

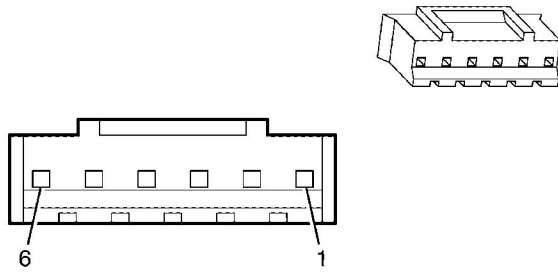
### Terminal Part Information

- | Terminal/Tray: See Terminal Repair Kit
- | Core/Insulation Crimp: See Terminal Repair Kit
- | Release Tool/Test Probe: See Terminal Repair Kit

## Digital Video Disc (DVD) Display X1

Pin	Wire Color	Circuit No.	Function
1	--	--	Not Used
2	0.18 OG	9400	Video In (+)
3	0.18 TN	9401	Ground (UWF)
	0.18 L-BU	9401	Ground (U56)
4	0.18 YE/BK	9402	TX (UWF)
	0.18 YE	9402	TX (U56)
5	0.18 L-GN/BK	9403	RX (UWF)
	0.18 D-GN	9403	RX (U56)
6	--	--	Not Used

## Digital Video Disc (DVD) Display X2



### Connector Part Information

- | OEM: LMA0150600A
- | Service: See Catalog
- | Description: 6-Way F

### Terminal Part Information

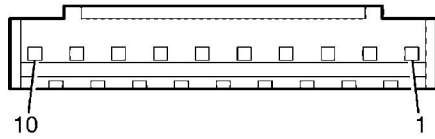
- | Terminal/Tray: See Terminal Repair Kit
- | Core/Insulation Crimp: See Terminal Repair Kit
- | Release Tool/Test Probe: See Terminal Repair Kit

## Digital Video Disc (DVD) Display X2

Pin	Wire Color	Circuit No.	Function
1	0.18 PU	5483	Auxiliary Video Signal (+) (RHD)
	0.18 WH	5483	Auxiliary Audio Left Signal (+) (LHD)
2	0.18 WH/RD	2058	Auxiliary Audio Right Signal (+) (RHD)
	0.18 PK	2058	Auxiliary Audio Left Signal (-) (LHD)
3	0.18 YE	2059	Auxiliary Audio Left Signal (+) (RHD)
	0.18 RD	2059	Auxiliary Audio Right Signal (+) (LHD)
4	0.18 YE	5389	Auxiliary Audio Left Signal (-) (RHD)
	0.18 D-GN	5389	Auxiliary Audio Right Signal (-) (LHD)
5	0.18 PU	5842	Auxiliary Audio Signal (-) (RHD)
	0.18 BARE	5842	Auxiliary Video Signal (-) (LHD)
6	0.18 WH/RD	5841	Auxiliary Video Right Signal (-) (RHD)
	0.18 BK	5841	Auxiliary Video Signal (+) (LHD)

## Digital Video Disc (DVD) Player X1





### Connector Part Information

- | OEM: CALMA0150400A
- | Service: See Catalog
- | Description:

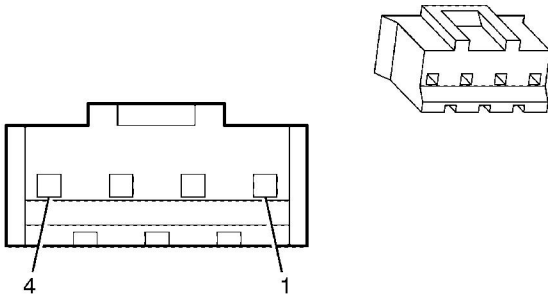
### Terminal Part Information

- | Terminal/Tray: See Terminal Repair Kit
- | Core/Insulation Crimp: See Terminal Repair Kit
- | Release Tool/Test Probe: See Terminal Repair Kit

### Digital Video Disc (DVD) Player X1

Pin	Wire Color	Circuit No.	Function
1	0.3 D-GN	1096	DVTX DVDIN (RHD)
	0.3 GY	1096	DVTX DVDIN
2	0.3 YE	9407	DVRX DVDIN (RHD)
	0.3 YE/BK	9407	DVRX DVDIN
3	--	--	Not Used
4	0.3 BARE	9413	Shield
5	0.3 L-GN	9408	DVD Audio Left Signal (+) (RHD)
	0.3 L-BU	9408	DVD Audio Left Signal (+)
6	0.3 L-GN	9409	DVD Audio Left Signal (-) (RHD)
	0.3 L-BU	9409	DVD Audio Left Signal (-) (RHD)
	0.3 WH/BK	9409	DVD Audio Left Signal (-) (LHD)
7	0.3 D-GN/WH	9410	DVD Audio Right Signal (+) (RHD)
	0.3 WH	9410	DVD Audio Right Signal (+)
8	0.3 D-GN/WH	9411	DVD Audio Right Signal (-) (RHD)
	0.3 D-GN	9411	DVD Audio Right Signal (-)
9	0.3 WH	9412	DVD Video Signal (-) (RHD)
	0.3 GY	9412	DVD Video Signal (-)
10	0.3 WH	6975	DVD Video Signal (+) (RHD)
	0.3 D-GN	6975	DVD Video Signal (+)

## Digital Video Disc (DVD) Player X2



### Connector Part Information

- | OEM: CALMA0151000A
- | Service: See Catalog
- | Description:

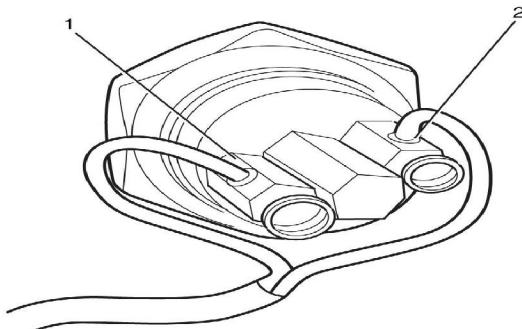
### Terminal Part Information

- | Terminal/Tray: See Terminal Repair Kit
- | Core/Insulation Crimp: See Terminal Repair Kit
- | Release Tool/Test Probe: See Terminal Repair Kit

## Digital Video Disc (DVD) Player X2

Pin	Wire Color	Circuit No.	Function
1	0.3 OG	9405	DVD IN 1 DVD+1
2	0.3 PK	6875	DVD IN 2 DVD+2
3	0.3 L-BU	6871	DVD IN 1 DVD-1
4	0.3 D-BU	9406	DVD IN 2 DVD-2

## Disable Switch





### Connector Part Information

- | OEM:
- | Service: See Catalog
- | Description: 2-Way

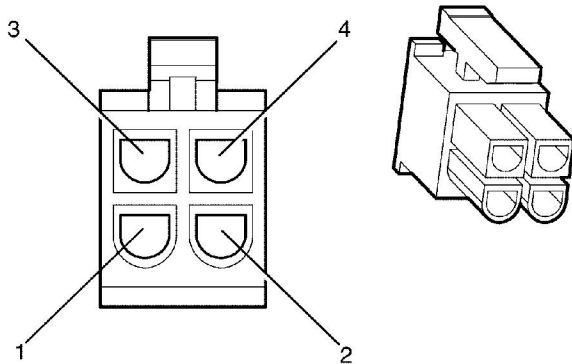
### Terminal Part Information

- | Terminal/Tray: See Terminal Repair Kit
- | Core/Insulation Crimp: See Terminal Repair Kit
- | Release Tool/Test Probe: See Terminal Repair Kit

### Disable Switch

Pin	Wire Color	Circuit No.	Function
1	0.35 BK	6	Ground
2	0.35 BK	11	Disable Signal

### Dome Lamp (without TRV)



### Connector Part Information

- | OEM: 0039-01-2045
- | Service: See Catalog
- | Description: 4-Way F (WH)

### Terminal Part Information

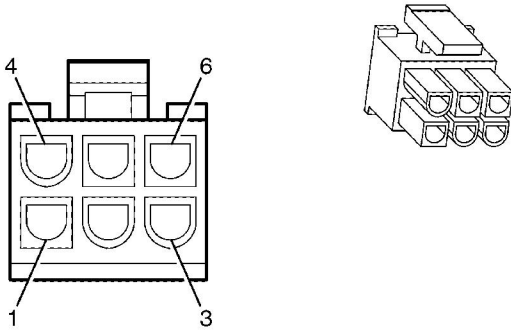
- | Terminal/Tray: See Terminal Repair Kit
- | Core/Insulation Crimp: See Terminal Repair Kit
- | Release Tool/Test Probe: See Terminal Repair Kit

### Dome Lamp (without TRV)

Pin	Wire Color	Circuit No.	Function

1	0.5 BK/WH	851	Ground
2	0.3 PK/BK	1597	Courtesy Lamp Supply Voltage
3	0.3 PU	328	Interior Lamp Switch Signal
4	0.5 D-BU/WH	149	Courtesy Lamp Supply Voltage

### Dome/Reading Lamps - Front (C74 without 9C1)



#### Connector Part Information

- | OEM: 0039-01-2065
- | Service: See Catalog
- | Description: 6-Way F (WH)

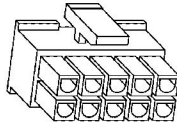
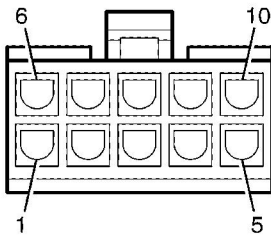
#### Terminal Part Information

- | Terminal/Tray: See Terminal Repair Kit
- | Core/Insulation Crimp: See Terminal Repair Kit
- | Release Tool/Test Probe: See Terminal Repair Kit

### Dome/Reading Lamps - Front (C74 without 9C1)

Pin	Wire Color	Circuit No.	Function
1	0.5 BK/WH	851	Ground
2	0.3 PK/BK	1597	Courtesy Lamps Switch on signal
3	0.3 PU	328	Interior Lamp Switch Signal
4	0.5 D-BU/WH	149	Courtesy Lamp Supply Voltage
5	0.5 OG	1732	Courtesy Lamp Supply Voltage
6	0.3 YE	6817	LED Backlight Dimming Control

### Dome/Reading Lamps (9C1)



## Connector Part Information

- | OEM:
- | Service: See Catalog
- | Description:

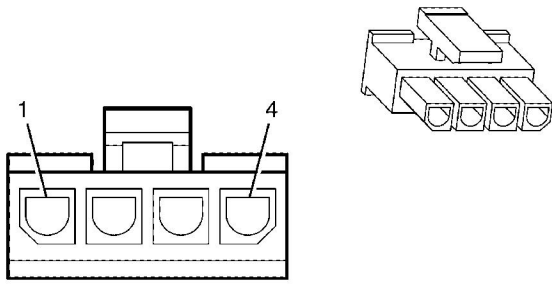
## Terminal Part Information

- | Terminal/Tray: See Terminal Repair Kit
- | Core/Insulation Crimp: See Terminal Repair Kit
- | Release Tool/Test Probe: See Terminal Repair Kit

## Dome/Reading Lamps (9C1)

Pin	Wire Color	Circuit No.	Function
1	--	--	Not Used
2	0.3 PK/BK	1597	Courtesy Lamps Switch On Signal
3	0.5 OG/WH	1840	Battery Positive Voltage
4	0.3 WH/RD	6821	Courtesy Lamps Switch On Signal
5-6	--	--	Not Used
7	0.3 PU	328	Interior Lamp Switch Signal
8	0.5 D-BU/WH	149	Courtesy Lamp Supply Voltage
9	0.85 OG	1732	Courtesy Lamps Supply Voltage
10	0.5 BK/WH	851	Ground

## Dome/Reading Lamps - Rear (TRV)



### Connector Part Information

- | OEM: 43645-0400
- | Service: See Catalog
- | Description: 4-Way F (WH)

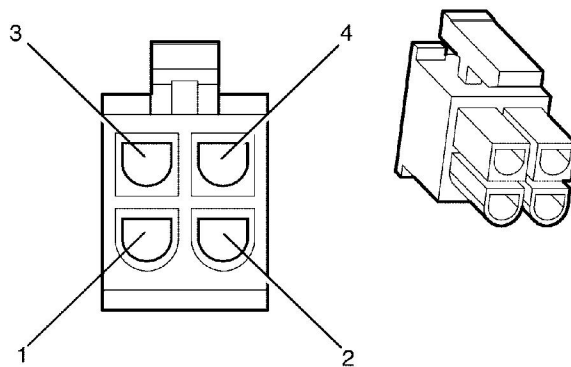
### Terminal Part Information

- | Terminal/Tray: See Terminal Repair Kit
- | Core/Insulation Crimp: See Terminal Repair Kit
- | Release Tool/Test Probe: See Terminal Repair Kit

### Dome/Reading Lamps - Rear (TRV)

Pin	Wire Color	Circuit No.	Function
1	0.5 BK/WH	851	Ground
2	0.5 D-BU/WH	149	Courtesy Lamp Supply Voltage
3	0.5 OG	1732	Courtesy Lamp Supply Voltage
4	0.3 YE	6817	LED Backlight Dimming Control

### Dome/Reading Lamps - Rear (without TRV)



### Connector Part Information

- | OEM: 0039-01-2045
- | Service: See Catalog
- | Description: 4-Way F (WH)

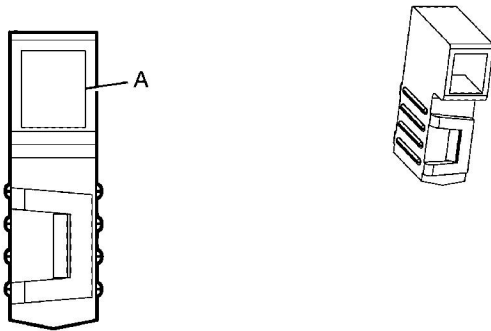
### Terminal Part Information

- | Terminal/Tray: See Terminal Repair Kit
- | Core/Insulation Crimp: See Terminal Repair Kit
- | Release Tool/Test Probe: See Terminal Repair Kit

### Dome/Reading Lamps - Rear (without TRV)

Pin	Wire Color	Circuit No.	Function
1	0.5 BK/WH	851	Ground
2	0.5 D-BU/WH	149	Courtesy Lamp Supply Voltage
3-4	--	--	Not Used

### Door Courtesy Lamp - Driver X1



### Connector Part Information

- | OEM: 180984-5
- | Service: See Catalog
- | Description:

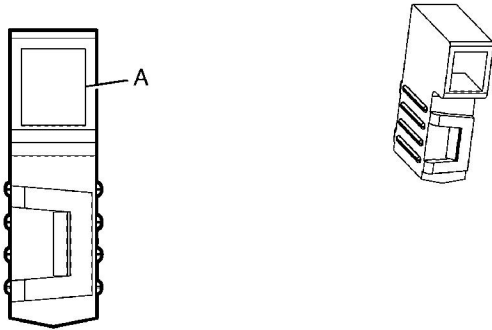
### Terminal Part Information

- | Terminal/Tray: See Terminal Repair Kit
- | Core/Insulation Crimp: See Terminal Repair Kit
- | Release Tool/Test Probe: See Terminal Repair Kit

### Door Courtesy Lamp - Driver X1

Pin	Wire Color	Circuit No.	Function
A	0.5 D-BU/WH	149	Courtesy Lamp Supply Voltage

## Door Courtesy Lamp - Driver X2



### Connector Part Information

- | OEM: 180984-5
- | Service: See Catalog
- | Description:

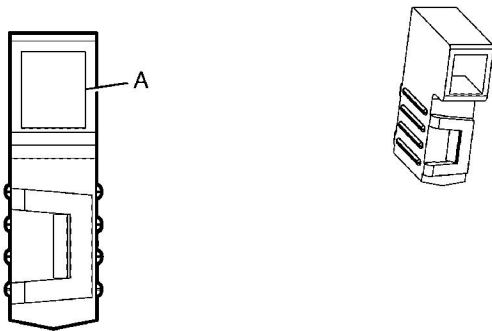
### Terminal Part Information

- | Terminal/Tray: See Terminal Repair Kit
- | Core/Insulation Crimp: See Terminal Repair Kit
- | Release Tool/Test Probe: See Terminal Repair Kit

## Door Courtesy Lamp - Driver X2

Pin	Wire Color	Circuit No.	Function
A	0.5 BK	2050	Ground

## Door Courtesy Lamp - Left Rear X1



### Connector Part Information



- | OEM: 180984-5
- | Service: See Catalog
- | Description:

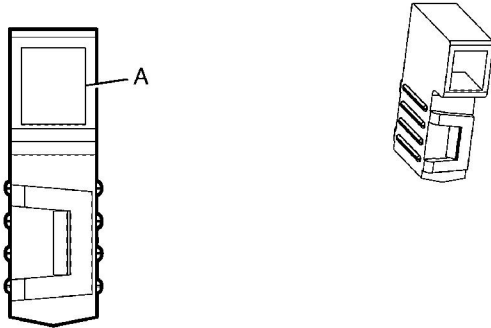
### Terminal Part Information

- | Terminal/Tray: See Terminal Repair Kit
- | Core/Insulation Crimp: See Terminal Repair Kit
- | Release Tool/Test Probe: See Terminal Repair Kit

### Door Courtesy Lamp - Left Rear X1

Pin	Wire Color	Circuit No.	Function
A	0.5 D-BU/WH	149	Courtesy Lamp Supply Voltage

### Door Courtesy Lamp - Left Rear X2



### Connector Part Information

- | OEM: 180984-5
- | Service: See Catalog
- | Description:

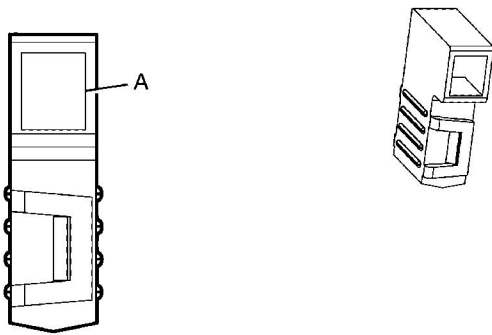
### Terminal Part Information

- | Terminal/Tray: See Terminal Repair Kit
- | Core/Insulation Crimp: See Terminal Repair Kit
- | Release Tool/Test Probe: See Terminal Repair Kit

### Door Courtesy Lamp - Left Rear X2

Pin	Wire Color	Circuit No.	Function
A	0.5 BK	2050	Ground

### Door Courtesy Lamp - Passenger X1



### Connector Part Information

- | OEM: 180984-5
- | Service: See Catalog
- | Description:

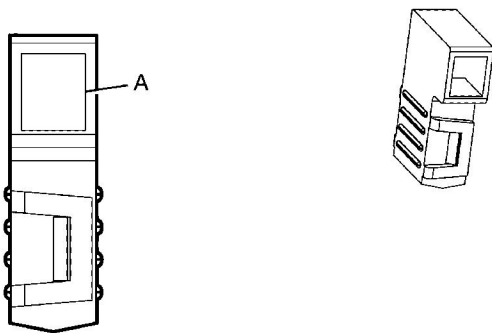
### Terminal Part Information

- | Terminal/Tray: See Terminal Repair Kit
- | Core/Insulation Crimp: See Terminal Repair Kit
- | Release Tool/Test Probe: See Terminal Repair Kit

### Door Courtesy Lamp - Passenger X1

Pin	Wire Color	Circuit No.	Function
A	0.5 D-BU/WH	149	Courtesy Lamp Supply Voltage

### Door Courtesy Lamp - Passenger X2



### Connector Part Information

- | OEM: 180984-5
- | Service: See Catalog

| Description:

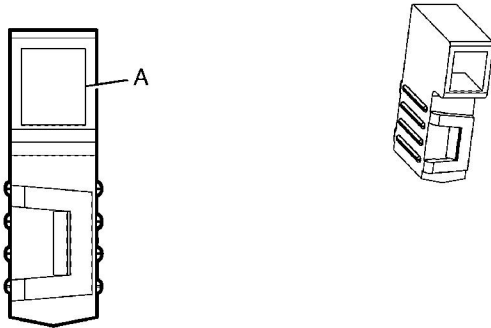
**Terminal Part Information**

- | Terminal/Tray: See Terminal Repair Kit
- | Core/Insulation Crimp: See Terminal Repair Kit
- | Release Tool/Test Probe: See Terminal Repair Kit

**Door Courtesy Lamp - Passenger X2**

Pin	Wire Color	Circuit No.	Function
A	0.5 BK	1350	Ground

**Door Courtesy Lamp - Right Rear X1**



**Connector Part Information**

- | OEM: 180984-5
- | Service: See Catalog
- | Description:

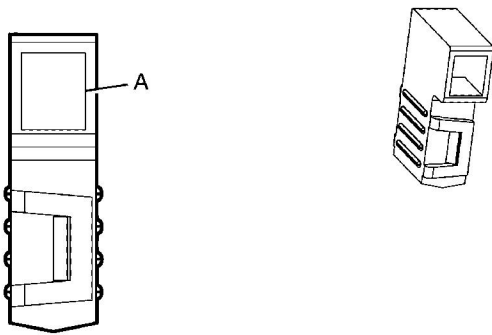
**Terminal Part Information**

- | Terminal/Tray: See Terminal Repair Kit
- | Core/Insulation Crimp: See Terminal Repair Kit
- | Release Tool/Test Probe: See Terminal Repair Kit

**Door Courtesy Lamp - Right Rear X1**

Pin	Wire Color	Circuit No.	Function
A	0.5 D-BU/WH	149	Courtesy Lamp Supply Voltage

**Door Courtesy Lamp - Right Rear X2**



### Connector Part Information

- | OEM: 180984-5
- | Service: See Catalog
- | Description:

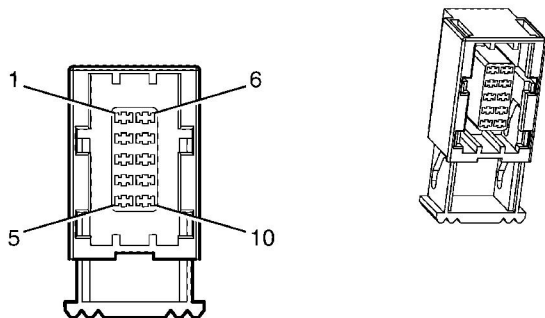
### Terminal Part Information

- | Terminal/Tray: See Terminal Repair Kit
- | Core/Insulation Crimp: See Terminal Repair Kit
- | Release Tool/Test Probe: See Terminal Repair Kit

### Door Courtesy Lamp - Right Rear X2

Pin	Wire Color	Circuit No.	Function
A	0.5 BK	1350	Ground

### Door Latch - Driver



### Connector Part Information

- | OEM: 7283-6930-30
- | Service: See Catalog

- | Description: 10-Way F (BK)

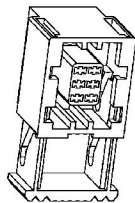
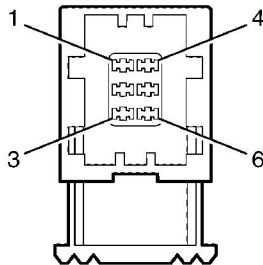
### Terminal Part Information

- | Pins: 2, 3
- | Terminal/Tray: 964274-2/16
- | Pins: 6, 8, 9
- | Terminal/Tray: 4-969005-1/16
- | Core/Insulation Crimp: E/1
- | Release Tool/Test Probe: J-38125-560/J-35616-33 (YE)

### Door Latch - Driver

Pin	Wire Color	Circuit No.	Function
1	--	--	Not Used
2	0.75 BN/RD	294	Door Lock Actuator Unlock Control
3	0.75 GN/WH	295	Door Lock Actuator Lock Control
4-5	--	--	Not Used
6	0.3 BN/WH	746	Driver Door Ajar Switch Signal
7	--	--	Not Used
8	0.5 BK	2050	Ground
9-10	--	--	Not Used

### Door Latch - Left Rear



### Connector Part Information

- | OEM: 7283-6931-30
- | Service: 88986251
- | Description: 6-Way F Sealed (BK)

### Terminal Part Information

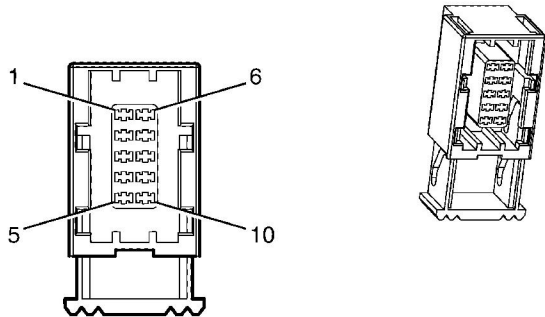
- | Pins: 2, 3
- | Terminal/Tray: 964274-2/16
- | Core/Insulation Crimp: E/1

- | Release Tool/Test Probe: J-38125-560/J-35616-33 (YE)
- | Pins: 4, 6
- | Terminal/Tray: 4-969005-1/16
- | Core/Insulation Crimp: E/1
- | Release Tool/Test Probe: J-38125-560/J-35616-33 (YE)

### Door Latch - Left Rear

Pin	Wire Color	Circuit No.	Function
1	--	--	Not Used
2	0.75 BN/RD	294	Door Lock Actuator Unlock Control
3	0.75 GN/WH	295	Door Lock Actuator Lock Control
4	0.3 BN/WH	746	Passengers Door Ajar Switch Signal
5	--	--	Not Used
6	0.5 BK	2050	Ground

### Door Latch - Passenger



#### Connector Part Information

- | OEM: 7283-6930-30
- | Service: See Catalog
- | Description: 10-Way F (BK)

#### Terminal Part Information

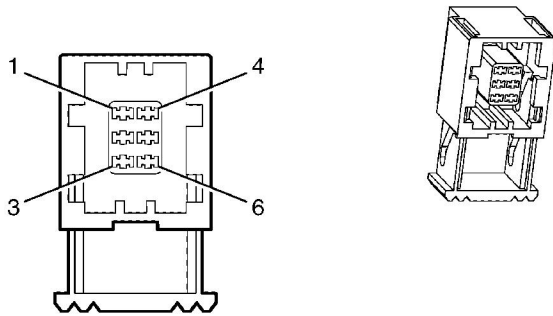
- | Pins: 7, 8
- | Terminal/Tray: 964274-2/16
- | Pins: 1, 3
- | Terminal/Tray: 4-969005-1/16
- | Core/Insulation Crimp: E/1
- | Release Tool/Test Probe: J-38125-560/J-35616-33 (YE)

### Door Latch - Passenger

--	--	--	--	--	--	--	--	--	--

Pin	Wire Color	Circuit No.	Function
1	0.3 GY/BK	745	Passengers Door Ajar Switch Signal
2	--	--	Not Used
3	0.5 BK	1350	Ground
4	0.3 PK	781	Driver Door Lock Switch Unlock Signal
5-6	--	--	Not Used
7	0.75 BN/RD	694	Driver Door Lock Actuator Unlock Control
8	0.75 GN/WH	295	Door Lock Actuator Lock Control
9	0.3 PK/BK	780	Driver Door Lock Switch Lock Signal
10	--	--	Not Used

## Door Latch - Right Rear



### Connector Part Information

- | OEM: 7283-6931-30
- | Service: 88986251
- | Description: 6-Way F Sealed (BK)

### Terminal Part Information

- | Pins: 5, 6
- | Terminal/Tray: 964274-2/16
- | Core/Insulation Crimp: E/1
- | Release Tool/Test Probe: J-38125-560/J-35616-33 (YE)

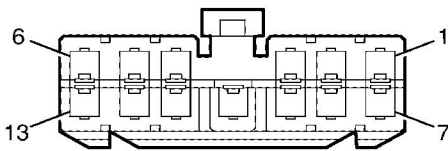
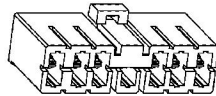
- | Pins: 1, 3
- | Terminal/Tray: 4-969005-1/16
- | Core/Insulation Crimp: E/1
- | Release Tool/Test Probe: J-38125-560/J-35616-33 (YE)

## Door Latch - Right Rear

Pin	Wire Color	Circuit No.	Function
1	0.3 BN/WH	746	Passengers Door Ajar Switch Signal

2	--	--	Not Used
3	0.5 BK	1350	Ground
4	--	--	Not Used
5	0.75 BN/RD	294	Door Lock Actuator Unlock Control
6	0.75 GN/WH	295	Door Lock Actuator Lock Control

## Door Lock/Window Switch X1



### Connector Part Information

- | OEM: 7119-3130
- | Service: See Catalog
- | Description: 13-Way F (WH)

### Terminal Part Information

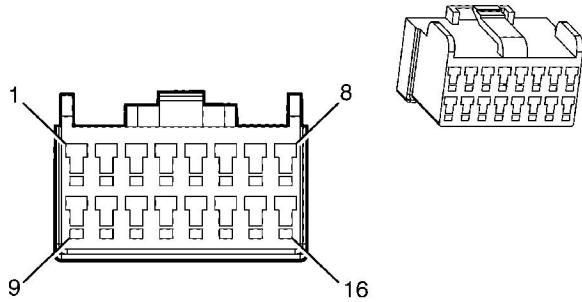
- | Terminal/Tray: 7116-1050/27
- | Core/Insulation Crimp: C/A
- | Release Tool/Test Probe: 12094430/J-35616-4A (PU)

## Door Lock/Window Switch X1

Pin	Wire Color	Circuit No.	Function
1-6	--	--	Not Used
7	2 PU	169	Power Window Master Switch Left Rear Down Signal
8	2 D-GN	168	Power Window Master Switch Left Rear Up Signal
9	2 BK	2050	Ground
10	2 D-GN	1001	RAP [X] Fuse Supply Voltage
11	2 D-BU	1307	Power Window Master Switch Lockout Signal
12	2 PU/WH	171	Power Window Master Switch Right Rear Down Signal
13	2 L-GN	170	Power Window Master Switch Right Rear Up Signal

## Door Lock/Window Switch X2





### Connector Part Information

- | OEM: 7123-1765-30
- | Service: See Catalog
- | Description: 16-Way F (BK)

### Terminal Part Information

- | Terminal/Tray: 173681-2/17
- | Core/Insulation Crimp: E/4
- | Release Tool/Test Probe: 15315247/J-35616-16 (L-GN)

### Door Lock/Window Switch X2

Pin	Wire Color	Circuit No.	Function
1	0.5 D-GN	1301	RAP [X] Fuse Supply Voltage
2	0.5 BN	1300	Power Window Master Switch Left Front Up Signal
3	0.5 GY/BU	1136	Power Window Master Switch Left Front Down Signal
4	0.5 BK	2050	Ground
5	0.5 BN/BK	254	Power Door Unlock Fuse Supply Voltage
6	0.5 WH/BK	81	Driver Mirror Motor Right Control
7	0.5 L-GN/BK	89	Driver Mirror Motor Down Control
8	0.5 WH/BU	7391	Power Window Switch Right and Up
9	0.5 L-BU	166	Power Window Master Switch Right Front Up Signal
10	0.5 GN/BK	167	Power Window Master Switch Right Front Down Signal
11	0.3 YE	6817	LED Backlight Diming Control
12	0.5 PU/WH	889	Passenger Mirror Motor Down Control
13	0.5 OG/WH	881	Passenger Mirror Motor Right Control
14	0.5 BK	2050	Ground
15	0.3 GY/BK	255	Power Door Lock Fuse Supply Voltage
16	0.5 BN/BU	343	Accessory Voltage

### Driver Information Center (DIC) (ERG)

### Connector Part Information

- | OEM: 7282-1060
- | Service: See Catalog
- | Description: 26-Way

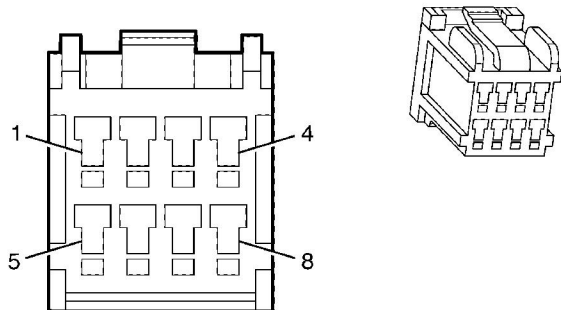
### Terminal Part Information

- | Terminal/Tray: See Terminal Repair Kit
- | Core/Insulation Crimp: See Terminal Repair Kit
- | Release Tool/Test Probe: See Terminal Repair Kit

### Driver Information Center (DIC) (ERG)

Pin	Wire Color	Circuit No.	Function
1	0.35 YE	2501	High Speed GMLAN Serial Data Bus-
2	0.35 YE	2501	High Speed GMLAN Serial Data Bus-
3	0.35 YE	2500	High Speed GMLAN Serial Data Bus+
4	0.35 YE		--
5-7	--	--	Not Used
8	0.35 BK/BU		Steering Wheel Position Sensor Low Reference
9-15	--	--	Not Used
16	0.35 YE	2500	High Speed GMLAN Serial Data Bus+
17	0.35 YE		--
18-26	--	--	Not Used

### Driver Information Center (DIC) (without ERG)



- | OEM: 7123-1685
- | Service: See Catalog
- | Description: 8-Way F (WH)

### Terminal Part Information

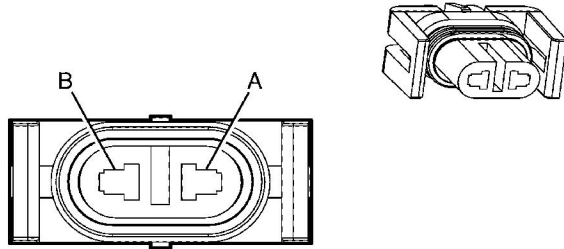
- | Terminal/Tray: See Terminal Repair Kit

- | Core/Insulation Crimp: See Terminal Repair Kit
- | Release Tool/Test Probe: See Terminal Repair Kit

### Driver Information Center (DIC) (without ERG)

Pin	Wire Color	Circuit No.	Function
1	0.3 D-GN	5060	Low Speed GMLAN Serial Data
2-3	--	--	Not Used
4	0.5 RD/WH	1840	Battery Positive Voltage
5-7	--	--	Not Used
8	0.3 BK	1450	Ground

### Driving Lamp - Left (HSV or VXR8)



#### Connector Part Information

- | OEM:
- | Service: See Catalog
- | Description: 2-Way F

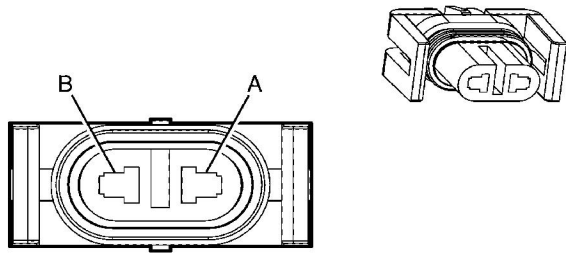
#### Terminal Part Information

- | Terminal/Tray: See Terminal Repair Kit
- | Core/Insulation Crimp: See Terminal Repair Kit
- | Release Tool/Test Probe: See Terminal Repair Kit

### Driving Lamp - Left (HSV or VXR8)

Pin	Wire Color	Circuit No.	Function
A	0.75 PU		Front Driving Lamp Relay Supply Voltage
B	0.75 BK		Ground

### Driving Lamp - Right (HSV or VXR8)



### Connector Part Information

- | OEM:
- | Service: See Catalog
- | Description: 2-Way F

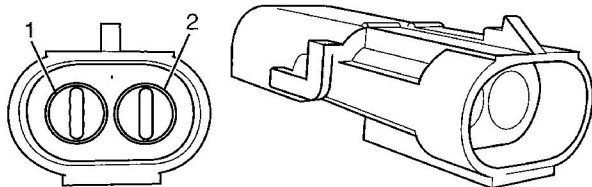
### Terminal Part Information

- | Terminal/Tray: See Terminal Repair Kit
- | Core/Insulation Crimp: See Terminal Repair Kit
- | Release Tool/Test Probe: See Terminal Repair Kit

### Driving Lamp - Right (HSV or VXR8)

Pin	Wire Color	Circuit No.	Function
A	0.75 PU		Front Driving Lamp Relay Supply Voltage
B	0.75 BK		Ground

### Driving Lamp - HSVDR 1 (HSV or VXR8)



### Connector Part Information

- | OEM:

- | Service: See Catalog
- | Description: 2-Way F

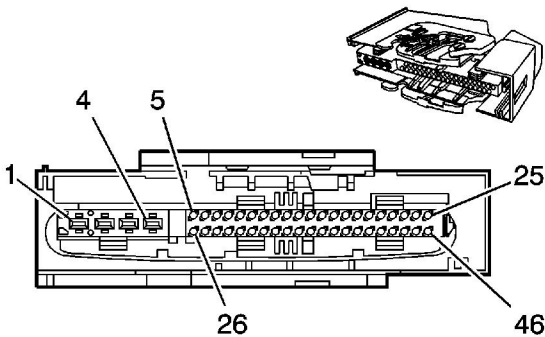
### Terminal Part Information

- | Terminal/Tray: See Terminal Repair Kit
- | Core/Insulation Crimp: See Terminal Repair Kit
- | Release Tool/Test Probe: See Terminal Repair Kit

### Driving Lamp - HSVDR 1 (HSV or VXR8)

Pin	Wire Color	Circuit No.	Function
A	0.3 D-BU		Ground
B	0.3 RD/BU		Voltage Supply

### Electronic Brake Control Module (EBCM) (JL4)



### Connector Part Information

- | OEM: 7229-2512-30
- | Service: See Catalog
- | Description: 46-Way F (BK)

### Terminal Part Information

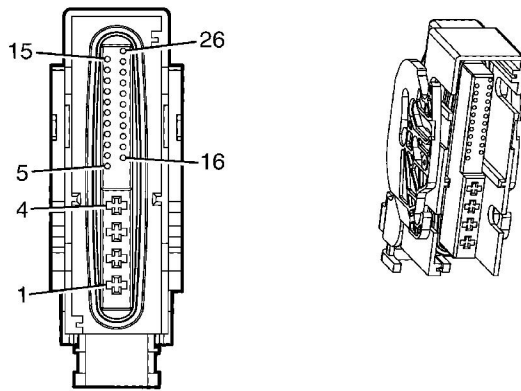
- | Pins: 1, 2
- | Terminal/Tray: 1-968859-3/7
- | Core/Insulation Crimp: A/3
- | Release Tool/Test Probe: 12093647/J-35616-4A (PU)
  
- | Pins: 3, 4
- | Terminal/Tray: 1-968857-3/7
- | Core/Insulation Crimp: C/1
- | Release Tool/Test Probe: 12093647/J-35616-4A (PU)
  
- | Pins: 5-10, 14-16, 18, 20, 25-27, 35, 37, 45
- | Terminal/Tray: 1928498014/17
- | Core/Insulation Crimp: N/N

- | Release Tool/Test Probe: J-38125-560/J-35616-64B (L-BU)
- | Pins: 28
- | Terminal/Tray: 1928498014/17
- | Core/Insulation Crimp: N/N
- | Release Tool/Test Probe: J-38125-560/J-35616-64B (L-BU)

### Electronic Brake Control Module (EBCM) (JL4)

Pin	Wire Color	Circuit No.	Function
1	3 BK	350	Ground
2	3 RD/BK	142	Battery Positive Voltage
3	2 OG	3540	Battery Positive Voltage
4	2 BK	350	Ground
5	0.5 L-BU	830	Left Front Wheel Speed Sensor Signal
6	0.5 GY	7127	Wheel Speed Sensor Supply Voltage Left Rear
7	0.5 GY	7128	Wheel Speed Sensor Supply Voltage Right Rear
8	0.5 BN	882	Right Rear Wheel Speed Sensor Signal
9	0.5 GY	7065	Wheel Speed Sensor Supply Voltage Right Front
10	0.5 D-GN	872	Wheel Speed Sensor Signal Right Front
11-13	--	--	Not Used
14	0.5 BN	9003	High Speed GMLAN Serial Data Bus-
15	0.5 BK/BU	2088	Steering Wheel Position Sensor Low Reference
16	0.5 BN/WH	2086	Yaw Rate Sensor Test Control
17	--	--	Not Used
18	0.5 D-GN	2087	Steering Wheel Position Sensor 5-V Reference
19	--	--	Not Used
20	0.5 PU/WH	1699	Combined Vehicle Inertial Sensor Signal
21-24	--	--	Not Used
25	0.5 BN	9001	High Speed GMLAN Serial Data Bus-
26	0.5 GY	7064	Wheel Speed Sensor Supply Voltage Left Front
27	0.5 BN/BK	884	Left Rear Wheel Speed Sensor Signal
28	0.75 L-BU	5986	Communication Enable Relay Supply Voltage
29-34	--	--	Not Used
35	0.5 BN/BK	9002	High Speed GMLAN Serial Data Bus+
36	--	--	Not Used
37	0.5 L-GN/BK	5352	Yaw Rate Sensor Test Control
38-44	--	--	Not Used
45	0.5 BN/BK	9000	High Speed GMLAN Serial Data Bus+ (LY7)
46	--	--	Not Used

### Electronic Brake Control Module (EBCM) (JL9)



## Connector Part Information

- | OEM: 1928404406
- | Service: See Catalog
- | Description:

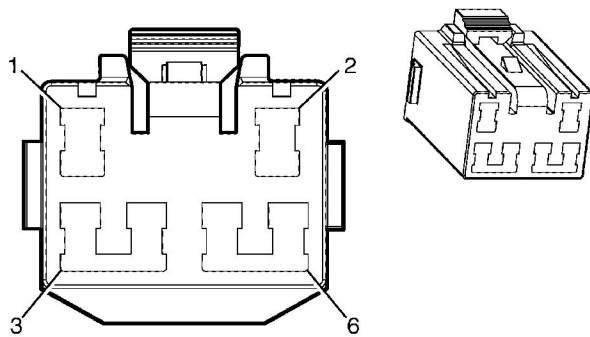
## Terminal Part Information

- | Terminal/Tray: See Terminal Repair Kit
- | Core/Insulation Crimp: See Terminal Repair Kit
- | Release Tool/Test Probe: See Terminal Repair Kit

## Electronic Brake Control Module (EBCM) (JL9)

Pin	Wire Color	Circuit No.	Function
1	3 BK	350	Ground
2	3 RD/BK	142	Battery Positive Voltage
3	2 OG	3540	Battery Positive Voltage
4	2 BK	350	Ground
5	0.5 L-BU	830	Left Front Wheel Speed Sensor Signal
6	0.5 GY	7127	Left Rear Wheel Speed Sensor Supply Voltage
7	0.5 GY	7128	Right Rear Wheel Speed Sensor Supply Voltage
8	0.5 BN	882	Right Rear Wheel Speed Sensor Signal
9	0.5 GY/WH	7065	Right Front Wheel Speed Sensor Supply Voltage
10	0.5 D-GN	872	Right Front Wheel Speed Sensor Signal
11-13	--	--	Not Used
14	0.5 BN	2501	High Speed GMLAN Serial Data Bus-
15	0.5 BN	2501	High Speed GMLAN Serial Data Bus-
16	0.5 GY	7064	Left Front Wheel Speed Sensor Supply Voltage
17	0.5 BN/BK	884	Left Rear Wheel Speed Sensor Signal
18	0.5 L-BU	5986	Communication Enable Relay Supply Voltage
19-24	--	--	Not Used
25	0.5 BN/BK	2500	High Speed GMLAN Serial Data Bus+
25	0.5 BN/BK	2500	High Speed GMLAN Serial Data Bus+

## Electronic Suspension Control (ESC) Switch (HSV)



### Connector Part Information

- | OEM: 7282-1060
- | Service: See Catalog
- | Description: 6-Way F

### Terminal Part Information

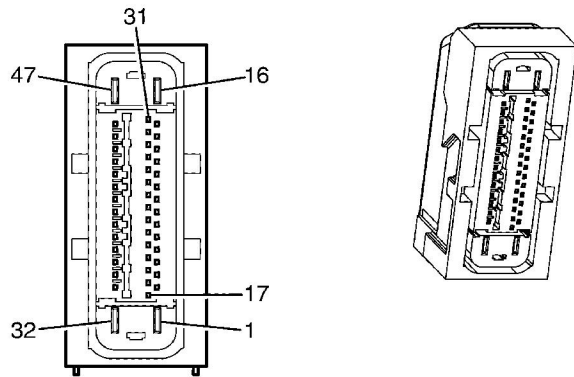
- | Terminal/Tray: See Terminal Repair Kit
- | Core/Insulation Crimp: See Terminal Repair Kit
- | Release Tool/Test Probe: See Terminal Repair Kit

## Electronic Suspension Control (ESC) Switch (HSV)

Pin	Wire Color	Circuit No.	Function
1	0.35 L-BU	5986	Communication Enable Relay Supply Voltage
2	0.35 BK	850	Ground
3	0.35 YE/GN	1437	Firm LED Supply Voltage
4	0.35 BK	850	Ground
5	0.35 YE/RD	1384	Electronic Suspension Control Switch Signal
6	0.35 BK	6817	Ground

## Electronic Suspension Control (ESC) Module (HSV)





### Connector Part Information

- | OEM:
- | Service: See Catalog
- | Description: 47-Way F

### Terminal Part Information

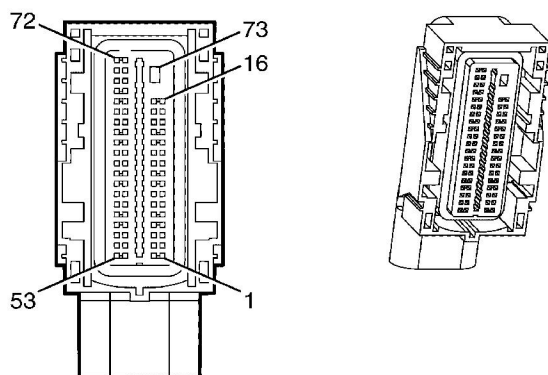
- | Terminal/Tray: See Terminal Repair Kit
- | Core/Insulation Crimp: See Terminal Repair Kit
- | Release Tool/Test Probe: See Terminal Repair Kit

### Electronic Suspension Control (ESC) Module (HSV)

Pin	Wire Color	Circuit No.	Function
1	--	--	Not Used
2	0.3 D-BU/WH	1205	Left Front Suspension Position Sensor Voltage Reference
3	0.3 D-GN/WH	1211	Right Front Suspension Position Sensor Voltage Reference
4	0.3 GY/WH	1208	Left Rear Suspension Position Sensor Voltage Reference
5	0.3 BN/WH	1214	Right Rear Suspension Position Sensor Voltage Reference
6-7	--	--	Not Used
8	0.3 YE/BK	370	Module Signal Error
9	0.3 YE/GN	1437	Firm LED Supply Voltage
10	--	--	Not Used
11	0.3 BN/BK	1215	Right Rear Suspension Position Sensor Low Reference
12-16	--	--	Not Used
17	0.3 D-BU	1207	Left Front Suspension Position Sensor Signal
18	0.3 D-GN	1213	Right Front Suspension Position Sensor Signal
19	0.3 BN	1216	Right Rear Suspension Position Sensor Signal
20	--	--	Not Used
21	0.35 YE/RD	1384	Electronic Suspension Control Switch Signal
22-23	--	--	Not Used
24	0.3 BN	2501	High Speed GMLAN Serial Data Bus-
25	0.3 BN/BK	2500	High Speed GMLAN Serial Data Bus+

26	0.3 D-GN/BK	1212	Right Front Suspension Position Sensor Low Reference
27	0.3 GY/BK	1209	Left Rear Suspension Position Sensor Low Reference
28	0.85 WH/BK	1115	Left Rear Damper Low Reference
29	0.85 PU/WH	1117	Right Front Damper Low Reference
30	0.85 PK/BK	1113	Left Front Damper Low Reference
31	0.5 L-BU	5986	Communication Enable Relay Supply Voltage
32	2 RD/BU	2640	Battery Positive Voltage
33	0.3 GY	1210	Left Rear Suspension Position Sensor Signal
34-38	--	--	Not Used
39	0.3 BN	2501	High Speed GMLAN Serial Data Bus-
40	0.3 BN/BK	2500	High Speed GMLAN Serial Data Bus+
41	0.3 D-BU/BK	1206	Left Front Suspension Position Sensor Low Reference
42	0.85 L-GN/BK	1119	Right Rear Damper Control
43	0.85 WH/RD	1114	Left Rear Damper Control
44	0.85 L-GN/BK	1118	Right Rear Damper Low Reference
45	0.85 PU	1116	Right Front Damper Control
46	0.85 PK	1107	Left Front Damper Control
47	2 BK	850	Ground

## Engine Control Module (ECM) (L98 or HSV or LS2) X1



### Connector Part Information

- | OEM: 7283-9139-30
- | Service: See Catalog
- | Description: 73-Way F

### Terminal Part Information

- | Pins: 1-72
- | Terminal/Tray: See Terminal Repair Kit
- | Core/Insulation Crimp: See Terminal Repair Kit

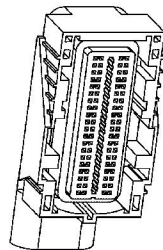
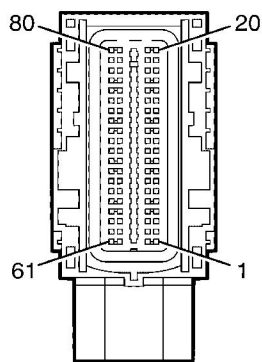
- | Release Tool/Test Probe: See Terminal Repair Kit
  
- | Pin: 73
- | Terminal/Tray: 7116-4152-02/9
- | Core/Insulation Crimp: 2/5
- | Release Tool/Test Probe: 12094430/J-35616-35 (VT)

### Engine Control Module (ECM) (L98 or HSV or LS2) X1

Pin	Wire Color	Circuit No.	Function
1	0.5 OG/BK	1786	Park/Neutral Signal
2-5	--	--	Not Used
6	0.5 BN/WH		Cruise Control Disable Clutch Switch Signal
7	--	--	Not Used
8	0.5 L-GN	5007	Backup Lamp Switch Signal
9	0.5 WH/BU	17	Stop Lamp Switch Signal
10	0.5 PU/WH	1668	HO2S High Signal (Bank 1 Sensor 2)
11	0.5 BN/WH	1669	HO2S Low Signal (Bank 1 Sensor 2)
12	0.5 OG/BK	380	A/C Refrigerant Pressure Sensor Signal
13	0.5 BN/GN	2759	Low Reference
14-15	--	--	Not Used
16	0.5 PU	1589	Fuel Level Sensor Signal (Primary)
17	0.5 D-BU/BK	473	High Speed Cooling Fan Relay Control (L98)
	0.5 D-BU	473	High Speed Cooling Fan Relay Control (HSV)
18	0.5 D-BU	5985	Accessory Wakeup Serial Data
19	0.5 PK	439	Ignition 1 Voltage
20	0.75 OG/BK	540	Battery Positive Voltage
21-22	--	--	Not Used
23	0.5 PU	1272	Low Reference
24-26	--	--	Not Used
27	0.5 BN	9001	High Speed GMLAN Serial Data Bus-
28	0.5 BN/BK	9000	High Speed GMLAN Serial Data Bus+
29	0.5 D-BU/WH	1161	APP Sensor 1 Signal
30	0.5 BN	1271	Low Reference
31	0.5 BN/YE	452	Low Reference
32	0.5 L-BU	1162	APP Sensor 2 Signal
33	--	--	Not Used
34	0.5 GY	1688	5-Volt Reference
35	--	--	Not Used
36	0.5 BN/YE	1274	5-Volt Reference
37	0.5 BN/RD	472	IAT Sensor Signal
38	0.5 BN/WH	2760	Low Reference
39-40	--	--	Not Used

41	0.5 YE	492	MAF Sensor Signal
42	--	--	Not Used
43			High Speed Cooling Fan Relay Control
44-46	--	--	Not Used
47	0.75 PK/BK	5290	Ignition 1 Voltage (L98)
	0.75 BK	5290	Ignition 1 Voltage (HSV)
48	--	--	Not Used
49	0.5 BN/WH	1671	HO2S Low Signal (Bank 2 Sensor 2)
50	0.5 D-GN/WH	465	Fuel Pump Relay Control (Primary)
51	--	--	Not Used
52	0.5 YE	447	Starter Relay Coil Control
53-55	--	--	Not Used
56	0.5 WH/BK	1164	5-Volt Reference
57	--	--	Not Used
58	0.5 D-GN	335	Low Speed Cooling Fan Relay Control
59	0.5 BN	5069	Main Relay Control
60-63	--	--	Not Used
64	0.5 OG/WH	3223	HO2S Heater Low Control (Bank 2 Sensor 2)
65	0.5 BN	2391	HO2S Heater Low Control (Bank 1 Sensor 2)
66-67	--	--	Not Used
68	0.5 BN/WH	419	MIL Control
69	0.5 PU	1670	HO2S High Signal (Bank 2 Sensor 2)
70	0.5 L-BU	1937	Fuel Level Sensor Signal (Secondary)
71-72	--	--	Not Used
73	2 BK	450	Ground

### Engine Control Module (ECM) (L98 or HSV or LS2) X2



#### Connector Part Information

- | OEM: 7283-9623-40
- | Service: See Catalog
- | Description: 80-Way F

## Terminal Part Information

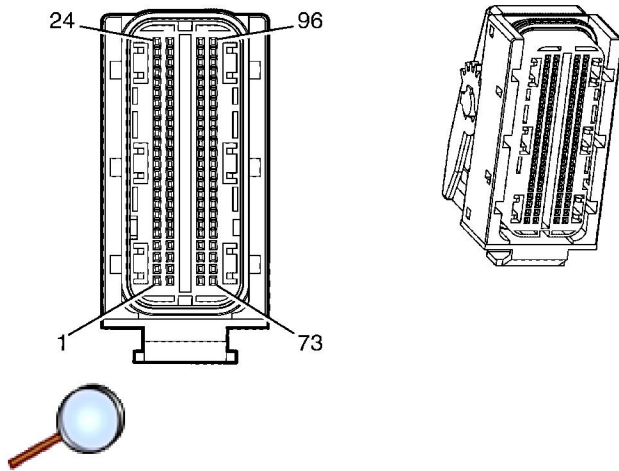
- | Terminal/Tray: See Terminal Repair Kit
- | Core/Insulation Crimp: See Terminal Repair Kit
- | Release Tool/Test Probe: See Terminal Repair Kit

## Engine Control Module (ECM) (L98 or HSV or LS2) X2

Pin	Wire Color	Circuit No.	Function
1	--	--	Not Used
2	0.5 L-GN	1867	5-Volt Reference
3	0.5 GY	2701	5-Volt Reference
4	--	--	Not Used
5	0.75 BN	582	TAC Motor Control - 2
6	0.75 YE	581	TAC Motor Control - 1
7	--	--	Not Used
8	0.75 D-GN/WH	428	EVAP Canister Purge Solenoid Control
9-10	--	--	Not Used
11	0.75 L-GN	5494	Reverse Lockout Solenoid Control
12	0.5 GY/WH	3113	HO2S Heater Low Control (Bank 1 Sensor 1)
13	0.5 L-GN	3212	HO2S Heater Low Control (Bank 2 Sensor 1)
14-16	--	--	Not Used
17	0.75 D-BU/WH	878	Fuel Injector 8 Control
18	0.75 BN/WH	845	Fuel Injector 5 Control
19	0.75 YE/BK	846	Fuel Injector 6 Control
20	0.75 BN/BK	1744	Fuel Injector 1 Control
21	0.5 YE/GN	410	ECT Sensor Signal
22	0.5 BN/WH	2761	Low Reference
23	0.5 D-GN/YE	357	Oil Temperature Sensor Signal
24	0.5 BN/RD	470	Low Reference
25	--	--	Not Used
26	0.5 D-BU	496	Knock Sensor 1 Signal
27	0.5 GY	1716	Low Reference Knock Sensor Signal Return
28	--	--	Not Used
29	0.5 L-BU	1876	Knock Sensor 2 Signal
30	0.5 TN	407	Low Reference
31	--	--	Not Used
32	0.5 PU/WH	23	Generator Field Duty Cycle Signal
33	0.5 BN	1174	Oil Level Switch Signal
34	0.5 BK	2755	Low Reference

35	0.5 BN/BK	2752	Low Reference
36	--	--	Not Used
37	0.75 L-GN/BK	1745	Fuel Injector 2 Control
38	0.75 PK/BK	1746	Fuel Injector 3 Control
39	0.75 L-BU/BK	844	Fuel Injector 4 Control
40	0.75 OG/BK	877	Fuel Injector 7 Control
41	0.5 GY	2705	5-Volt Reference
42	--	--	Not Used
43	0.5 GY	2704	5-Volt Reference
44	0.5 OG	631	5-Volt Reference
45-49	--	--	Not Used
50	0.5 BN/WH	331	Oil Pressure Sensor Signal
51-52	--	--	Not Used
53	0.5 OG/BK	469	Low Reference
54-55	--	--	Not Used
56	0.5 BN/YE	1664	HO2S Low Signal (Bank 1 Sensor 1)
57	0.5 PU/WH	1665	HO2S High Signal (Bank 1 Sensor 1)
58	0.5 L-GN	432	MAP Sensor Signal
59	0.5 PU	1666	HO2S High Signal (Bank 2 Sensor 1)
60	0.5 BN/RD	1667	HO2S Low Signal (Bank 2 Sensor 1)
61	0.5 OG/WH	225	Generator Turn On Signal
62	--	--	Not Used
63	0.5 PU	486	TP Sensor 2 Signal
64	0.5 BN/WH	633	CMP Sensor Signal
65	0.5 D-GN	485	TP Sensor 1 Signal
66	0.5 PK/BK	632	Low Reference
67	--	--	Not Used
68	0.5 D-BU/WH	1869	CKP Sensor Signal
69	0.5 YE/BK	1868	Low Reference
70	0.5 PU	2121	IC 1 Control
71	0.5 PU/WH	2128	IC 8 Control
72	0.5 OG	2127	IC 7 Control
73	0.5 OG/WH	2122	IC 2 Control
74	0.5 L-BU/WH	2126	IC 6 Control
75	0.5 D-GN/RD	2125	IC 5 Control
76	0.5 D-GN/WH	2124	IC 4 Control
77	0.5 L-BU	2123	IC 3 Control
78	0.5 BN	2129	Low Reference
79	0.5 BN/WH	2130	Low Reference
80	--	--	Not Used

## Engine Control Module (ECM) (LY7) X1



### Connector Part Information

- | OEM: 7283-3389-30
- | Service: See Catalog
- | Description: 96-Way F (BK)

### Terminal Part Information

- | Terminal/Tray: 1928498135/19
- | Core/Insulation Crimp: J/J
- | Release Tool/Test Probe: J-38125-213/J-35616-64B (L-BU)

## Engine Control Module (ECM) (LY7) X1

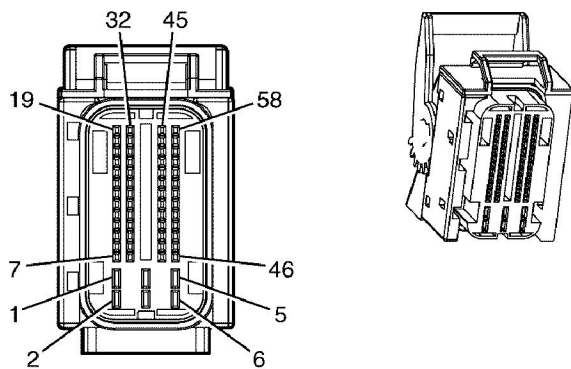
Pin	Wire Color	Circuit No.	Function
1	0.75 L-GN	5282	Cam Phaser Exhaust 1 Signal
2	0.75 PU	5284	Cam Phaser Intake 1 Signal
3	--	--	Not Used
4	0.75 YE/BK	846	Fuel Injector 6 Control
5	0.75 D-GN/WH	428	EVAP Canister Purge Solenoid Control
6	--	--	Not Used
7	0.5 OG/BU	5275	Intake 1 Cam Position Sensor Signal
8	--	--	Not Used
9	0.5 PU	5274	Exhaust 2 Cam Position Sensor Signal
10	0.5 OG/WH	225	Generator Turn On Signal
11	0.5 BN	1174	Oil Level Switch Signal
12	0.75 L-BU/WH		VIM PWM Signal
13	0.5 PK	6414	Low Reference
14	--	--	Not Used
15	0.75 GY	705	5-Volt Reference
16-23	--	--	Not Used

24	0.75 YE	581	TAC Motor Control - 1
25	0.75 WH/BK	5283	Cam Phaser Exhaust 2 Signal
26	0.75 PK/BK	1746	Fuel Injector 3 Control
27	--	--	Not Used
28	0.75 BN/WH	845	Fuel Injector 5 Control
29	--	--	Not Used
30	0.5 PU/WH	23	Generator Field Duty Cycle Signal
31-32	--	--	Not Used
33	0.5 YE/RD	5276	Intake 2 Cam Position Sensor Signal
34	0.5 D-GN	5273	Exhaust 1 Cam Position Sensor Signal
35	0.5 YE/BU	573	CKP Sensor 1 Signal
36-38	--	--	Not Used
39	0.5 GY	2701	5-Volt Reference
40	0.5 GY	596	5-Volt Reference
41	0.75 PK/BK	632	Low Reference
42	--	--	Not Used
43	0.5 BN/RD	470	Low Reference
44	0.5 BK	2755	Low Reference
45	0.5 PU/WH	605	5-Volt Reference
46	0.5 PU	574	Low Reference
47	--	--	Not Used
48	0.75 BN	582	TAC Motor Control - 2
49	0.75 OG/BK	5272	Cam Phaser Intake 2 Signal
50	0.75 L-BU/BK	844	Fuel Injector 4 Control
51	0.75 BN/BK	1744	Fuel Injector 1 Control
52	0.75 L-GN/BK	1745	Fuel Injector 2 Control
53-54	--	--	Not Used
55	0.5 PU	2121	IC 1 Control
56	0.5 L-BU	2123	IC 3 Control
57	0.5 D-GN/RD	2125	IC 5 Control
58	--	--	Not Used
59	0.5 D-BU	496	Knock Sensor 1 Signal
60	0.5 BN	407	Low Reference
61	0.5 BN/WH	331	Oil Pressure Sensor Signal
62-66	--	--	Not Used
67	0.5 BN/YE	1664	HO2S Low Signal (Bank 1 Sensor 1)
68	0.5 WH		HO2S Output Pump Current (Bank 1 Sensor 1)
69	0.5 OG		HO2S Input Pump Current (Bank 2 Sensor 1)
70	0.5 PU	1666	HO2S High Signal (Bank 2 Sensor 1)
71	--	--	Not Used



72	0.75 L-GN	3212	HO2S Low Signal (Bank 2 Sensor 1)
73-77	--	--	Not Used
78	0.5 PU	6413	Low Reference
79	0.5 OG/WH	2122	IC 2 Control
80	0.5 D-GN/WH	2124	IC 4 Control
81	0.5 L-BU/WH	2126	IC 6 Control
82	0.5 YE/GN	410	ECT Sensor Signal
83	0.5 GY	1716	Low Reference
84	0.5 L-BU	1876	Knock Sensor 2 Signal
85	0.5 D-GN/YE	357	Oil Temperature Sensor Signal
86-87	--	--	Not Used
88	0.5 BN/BK	2752	Low Reference
89	0.5 PU	486	TP Sensor 2 Signal
90	0.5 D-GN	485	TP Sensor 1 Signal
91	0.5 L-GN		HO2S Input Pump Current (Bank 1 Sensor 1)
92	0.5 PU/WH	1665	HO2S High Signal (Bank 1 Sensor 1)
93	0.5 BN/RD	1667	HO2S Low Signal (Bank 2 Sensor 1)
94	0.5 PU/WH		HO2S Output Pump Current (Bank 2 Sensor 1)
95	--	--	Not Used
96	0.75 GY/WH	3113	HO2S Heater Low Control (Bank 1 Sensor 1)

## Engine Control Module (ECM) (LY7) X2



### Connector Part Information

- | OEM: 7283-3487-30
- | Service: See Catalog
- | Description: 58-Way F (BK)

### Terminal Part Information

- | Pins: 1-6
- | Terminal/Tray: 1928498056/8
- | Core/Insulation Crimp: E/1
- | Release Tool/Test Probe: J-38125-561/J-35616-35 (VT)

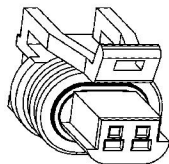
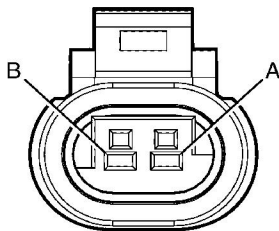
- | Pins: 7, 9-11, 13-15, 17, 19-27, 34-39, 41, 42, 45-52, 54-58
- | Terminal/Tray: 1928498135/19
- | Core/Insulation Crimp: J/J
- | Release Tool/Test Probe: J-38125-213/J-35616-64B (L-BU)

### Engine Control Module (ECM) (LY7) X2

Pin	Wire Color	Circuit No.	Function
1	0.5 BK	450	Ground
2	0.5 BK	450	Ground
3	0.75 PK/BU	5290	Ignition 1 Voltage
4	0.5 BK	450	Ground
5	0.75 PK/BK	5290	Ignition 1 Voltage
6	0.75 PK/BU	5290	Ignition 1 Voltage
7	0.75 GY/WH	3122	HO2S Heater Low Control (Bank 1 Sensor 2)
8	--	--	Not Used
9	0.5 BN/YE	452	Low Reference
10	0.5 D-GN/WH	465	Fuel Pump Relay Control (Primary)
11	0.5 BN/GN	2759	Low Reference
12	--	--	Not Used
13	0.5 YE	492	MAF Sensor Signal
14	--	--	Not Used
15	0.5 D-BU/WH	1161	APP Sensor 1 Signal
16	0.5 BN/WH		CPP Switch Signal
17	0.5 D-GN		Park/Neutral/Clutch Safety Switch Signal
18	0.5 L-GN		Backup Lamp Switch Signal
19	--	--	Not Used
20	0.75 OG/WH	3223	HO2S Heater Low Control (Bank 2 Sensor 2)
21	0.5 BN/WH	419	MIL Control
22	0.5 BN/WH	2760	Low Reference
23	0.5 BN/GN	3121	HO2S Low Signal (Bank 1 Sensor 2)
24	0.5 BN/RD	3221	HO2S Low Signal (Bank 2 Sensor 2)
25	0.5 L-BU	1162	APP Sensor 2 Signal
26	0.5 L-BU	1937	Fuel Level Sensor Signal (1)
27-33	--	--	Not Used
34	0.5 BN	1271	Low Reference
35	0.5 GY	2709	5-Volt Reference
36	0.5 PU	1589	Fuel Level Sensor Signal (2)
37	--	--	Not Used

38	0.5 PU	3120	HO2S High Signal (Bank 1 Sensor 2)
39	0.5 OG/BK	380	A/C Refrigerant Pressure Sensor Signal
40	--	--	Not Used
41	0.5 D-BU	5985	Accessory Wakeup Serial Data
42	0.5 BN/BK	9000	High Speed GMLAN Serial Data Bus+
43-44	--	--	Not Used
45	0.5 D-BU/BK	473	High Speed Cooling Fan Relay Control
46	0.5 D-GN	335	Low Speed Cooling Fan Relay Control
47	0.5 PU	1272	Low Reference
48	0.5 BN/YE	1274	5-Volt Reference
49	0.5 WH/BK	1164	5-Volt Reference
50	0.5 BN/RD	472	IAT Sensor Signal
51	0.5 PU	3220	HO2S High Signal (Bank 2 Sensor 2)
52	0.5 WH/BU	17	Stop Lamp Switch Signal
53	--	--	Not Used
54	0.5 PK	439	Ignition 1 Voltage
55	0.5 BN	9001	High Speed GMLAN Serial Data Bus-
56	0.75 OG/BK	540	Battery Positive Voltage
57	0.5 YE	447	Starter Relay Coil Control
58	0.5 BN	5069	Main Relay Control

## Engine Coolant Temperature (ECT) Sensor (L98 or HSV)



### Connector Part Information

- | OEM: 7283-0370-30
- | Service: See Catalog
- | Description: 2-Way F

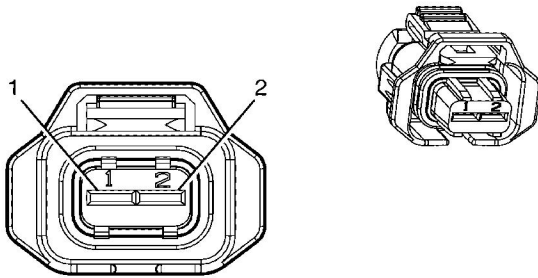
### Terminal Part Information

- | Terminal/Tray: 15326267/19
- | Core/Insulation Crimp: E/4
- | Release Tool/Test Probe: 15315247/J-35616-2A (GY)

### Engine Coolant Temperature (ECT) Sensor (L98 or HSV)

Pin	Wire Color	Circuit No.	Function
A	0.5 BN/WH	2761	Low Reference
B	0.5 YE/GN	410	ECT Sensor Signal

### Engine Coolant Temperature (ECT) Sensor (LY7)



#### Connector Part Information

- | OEM: 7283-6205-30
- | Service: See Catalog
- | Description: 2-Way F (BK)

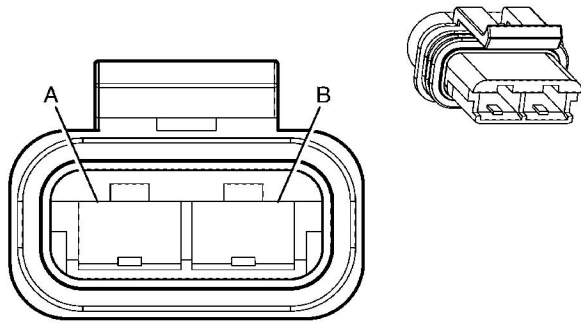
#### Terminal Part Information

- | Terminal/Tray: See Terminal Repair Kit
- | Core/Insulation Crimp: See Terminal Repair Kit
- | Release Tool/Test Probe: See Terminal Repair Kit

### Engine Coolant Temperature (ECT) Sensor (LY7)

Pin	Wire Color	Circuit No.	Function
1	0.5 YE/GN	410	ECT Sensor Signal
2	0.5 BK	2755	Low Reference

### Engine Cooling Fan - Left



### Connector Part Information

- | OEM: 12020341
- | Service: See Catalog
- | Description: 2-Way F Metri-Pack 630 Series Sealed (BK)

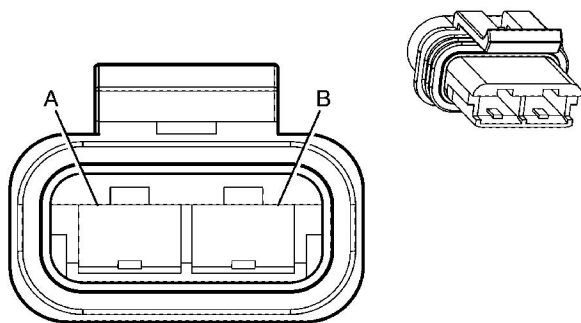
### Terminal Part Information

- | Terminal/Tray: See Terminal Repair Kit
- | Core/Insulation Crimp: See Terminal Repair Kit
- | Release Tool/Test Probe: See Terminal Repair Kit

### Engine Cooling Fan - Left

Pin	Wire Color	Circuit No.	Function
A	3 BK	250	Ground
B	3 D-BU	409	Left Cooling Fan Motor Supply Voltage

### Engine Cooling Fan - Right



### Connector Part Information

- | OEM: 12020341

- | Service: See Catalog
- | Description: 2-Way F Metri-Pack 630 Series Sealed (BK)

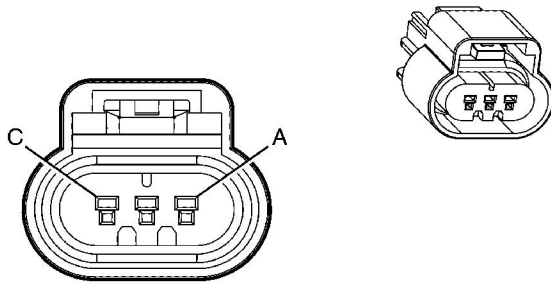
### Terminal Part Information

- | Terminal/Tray: See Terminal Repair Kit
- | Core/Insulation Crimp: See Terminal Repair Kit
- | Release Tool/Test Probe: See Terminal Repair Kit

### Engine Cooling Fan - Right

Pin	Wire Color	Circuit No.	Function
A	3 GY	532	Right Cooling Fan Motor Low Reference
B	3 WH	504	Right Cooling Fan Motor Supply Voltage

### Engine Oil Level and Temperature Sensor



### Connector Part Information

- | OEM: 7283-6579-30
- | Service: See Catalog
- | Description: 3-Way F (BK)

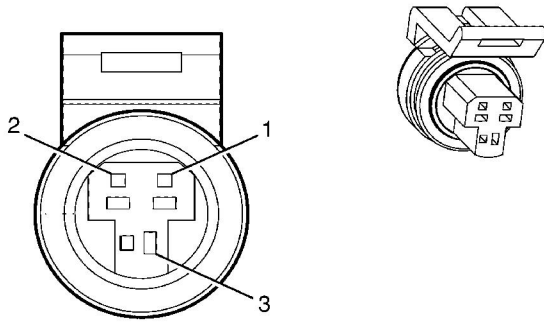
### Terminal Part Information

- | Terminal/Tray: 12191819/8
- | Core/Insulation Crimp: E/A
- | Release Tool/Test Probe: 15315247/J-35616-2A (GY)

### Engine Oil Level and Temperature Sensor

Pin	Wire Color	Circuit No.	Function
A	0.5 BN	1174	Oil Level Switch Signal
B	0.5 D-GN/YE	357	Oil Temperature Sensor Signal (L98 or LY7)
	0.5 YE	357	Oil Temperature Sensor Signal (HSV)
C	0.5 BN/RD	470	Low Reference (L98 or HSV)
	0.5 BK	2755	Low Reference (LY7)

## Engine Oil Pressure (EOP) Sensor



### Connector Part Information

- | OEM: 7283-2429
- | Service: See Catalog
- | Description: 3-Way F (BK)

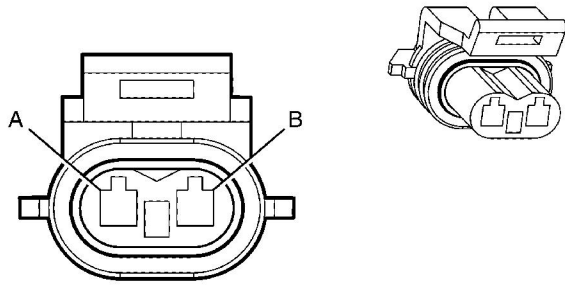
### Terminal Part Information

- | Terminal/Tray: 15326267/19
- | Core/Insulation Crimp: E/4
- | Release Tool/Test Probe: 15315247/J-35616-2A (GY)

## Engine Oil Pressure (EOP) Sensor

Pin	Wire Color	Circuit No.	Function
1	0.5 BK	2755	Low Reference (L98 or HSV)
	0.5 BN/RD	470	Low Reference (LY7)
2	0.5 GY	2705	5-Volt Reference (L98 or HSV)
	0.5 GY	596	5-Volt Reference (LY7)
3	0.5 BN/WH	331	Oil Pressure Sensor Signal (L98 or HSV)
	0.5 BN/WH	331	Oil Pressure Sensor Signal (LY7)

## Evaporative Emission (EVAP) Canister Purge Solenoid Valve (L98 or HSV)



### Connector Part Information

- | OEM: 7223-9922-50
- | Service: 12101858
- | Description: 2-Way F

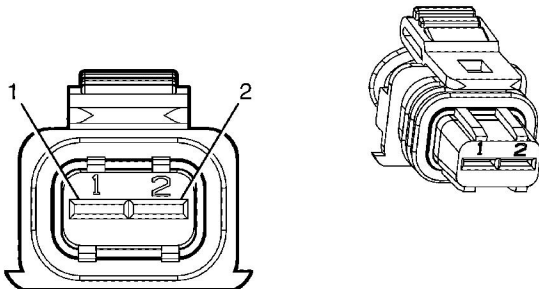
### Terminal Part Information

- | Terminal/Tray: 12048074/2
- | Core/Insulation Crimp: E/1
- | Release Tool/Test Probe: 12094429/J-35616-14 (GN)

## Evaporative Emission (EVAP) Canister Purge Solenoid Valve (L98 or HSV)

Pin	Wire Color	Circuit No.	Function
A	0.75 PK/BU	5293	Ignition 1 Voltage
B	0.75 D-GN/WH	428	EVAP Canister Purge Solenoid Control

## Evaporative Emission (EVAP) Canister Purge Solenoid Valve (LY7)



### Connector Part Information



- | OEM: 7283-5483-30
- | Service: See Catalog
- | Description: 2-Way F (BK)

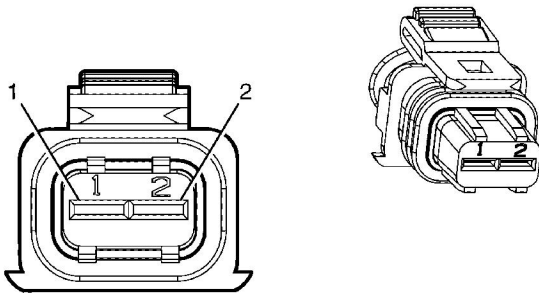
**Terminal Part Information**

- | Terminal/Tray: 1928498056/8
- | Core/Insulation Crimp: E/1
- | Release Tool/Test Probe: J-38125-561/J-35616-35 (VT)

**Evaporative Emission (EVAP) Canister Purge Solenoid Valve (LY7)**

Pin	Wire Color	Circuit No.	Function
1	0.75 PK/BU	5293	Ignition 1 Voltage
2	0.75 D-GN/WH	428	EVAP Canister Purge Solenoid Control

**Evaporative Emission (EVAP) Canister Vent Solenoid Valve**



**Connector Part Information**

- | OEM: 12052643
- | Service: 12101858
- | Description: 2-Way F Metri-Pack 150 Series Sealed (RD)

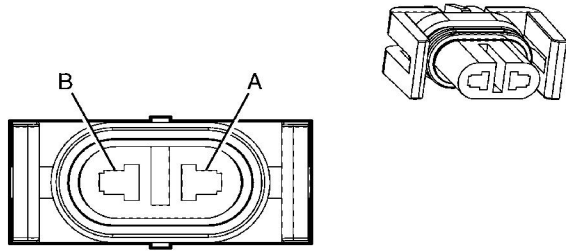
**Terminal Part Information**

- | Terminal/Tray: See Terminal Repair Kit
- | Core/Insulation Crimp: See Terminal Repair Kit
- | Release Tool/Test Probe: See Terminal Repair Kit

**Evaporative Emission (EVAP) Canister Vent Solenoid Valve**

Pin	Wire Color	Circuit No.	Function
A	0.5 OG	3140	Battery Positive Voltage
B	0.5 WH	1310	EVAP Canister Vent Solenoid Control

**Fog Lamp - Left Front**



### Connector Part Information

- | OEM: 7223-9928-30
- | Service: See Catalog
- | Description: 2-Way F 150 Series (BK)

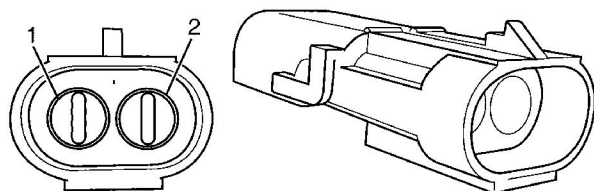
### Terminal Part Information

- | Terminal/Tray: 12077411/2
- | Core/Insulation Crimp: 2/5
- | Release Tool/Test Probe: 12094430/J-35616-4A (PU)

### Fog Lamp - Left Front

Pin	Wire Color	Circuit No.	Function
A	0.75 PU	34	Fog Lamps Supply Voltage
B	0.75 BK	350	Ground

### Fog Lamp - Rear (T79)



### Connector Part Information

- | OEM: 1418893-1
- | Service: See Catalog
- | Description: 2-Way F

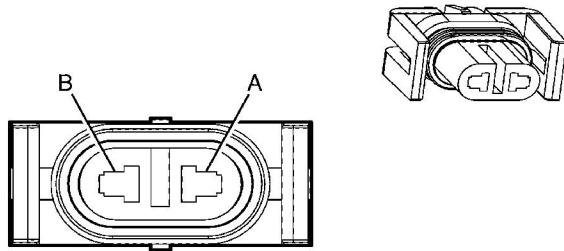
### Terminal Part Information

- | Terminal/Tray: See Terminal Repair Kit
- | Core/Insulation Crimp: See Terminal Repair Kit
- | Release Tool/Test Probe: See Terminal Repair Kit

### Fog Lamp - Rear (T79)

Pin	Wire Color	Circuit No.	Function
1	0.5 OG	122	Rear Fog Lamp Supply Voltage
2	0.5 BK	1850	Ground

### Fog Lamp - Right Front



### Connector Part Information

- | OEM: 7223-9928-30
- | Service: See Catalog
- | Description: 2-Way F 150 Series (BK)

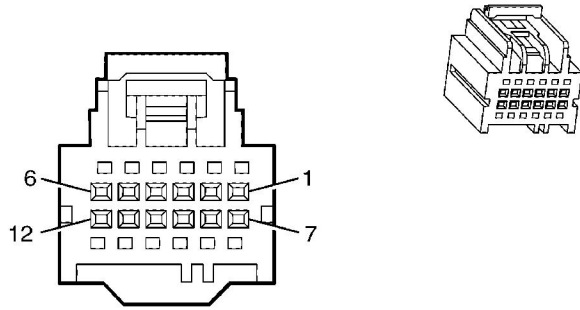
### Terminal Part Information

- | Terminal/Tray: 12077411/2
- | Core/Insulation Crimp: 2/5
- | Release Tool/Test Probe: 12094430/J-35616-4A (PU)

### Fog Lamp - Right Front

Pin	Wire Color	Circuit No.	Function
A	0.75 PU	34	Fog Lamps Supply Voltage
B	0.75 BK	350	Ground

### Front and Rear Object Alarm Module X1



### Connector Part Information

- | OEM: 7283-9783-30
- | Service: See Catalog
- | Description: 12-Way F

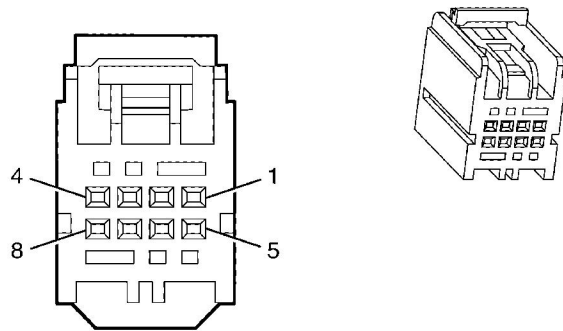
### Terminal Part Information

- | Terminal/Tray: See Terminal Repair Kit
- | Core/Insulation Crimp: See Terminal Repair Kit
- | Release Tool/Test Probe: See Terminal Repair Kit

### Front and Rear Object Alarm Module X1

Pin	Wire Color	Circuit No.	Function
1	0.85 OG/PU	2140	Battery Positive Voltage
2	0.3 YE	5247	Object Detection Alarm Signal A
3	0.3 BN	5852	Instrument Panel Lamp Supply Voltage
4	--	--	Not Used
5	0.3 GY	5248	Object Detection Alarm Signal B
6	0.35 D-GN	5060	Low Speed GMLAN Serial Data
7	0.5 BK	1850	Ground
8	0.3 GY	2555	Object Detection Disable Signal
9-12	--	--	Not Used

### Front and Rear Object Alarm Module X2



### Connector Part Information

- | OEM: 7283-9029-40
- | Service: See Catalog
- | Description: 8-Way F

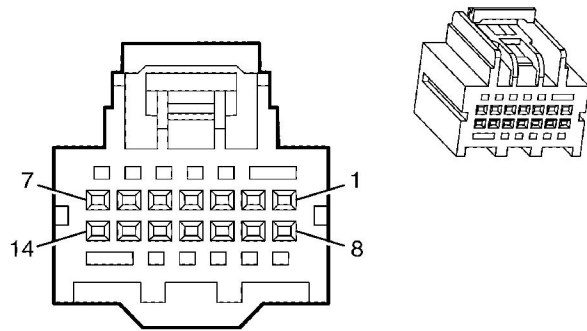
### Terminal Part Information

- | Terminal/Tray: See Terminal Repair Kit
- | Core/Insulation Crimp: See Terminal Repair Kit
- | Release Tool/Test Probe: See Terminal Repair Kit

### Front and Rear Object Alarm Module X2

Pin	Wire Color	Circuit No.	Function
1	0.3 PU	2378	RR Corner Object Sensor Signal
2	0.3 D-GN	2377	RR Middle Object Sensor Signal
3	0.3 OG	2376	LR Middle Object Sensor Signal
4	0.3 D-BU	2374	Object Sensor Supply Voltage
5	0.3 YE	2375	LR Corner Object Sensor Signal
6-7	--	--	Not Used
8	0.3 GY	2379	Object Sensor Low Reference

### Front and Rear Object Alarm Module X3



### Connector Part Information

- | OEM: 7283-9068-90
- | Service: See Catalog
- | Description: 14-Way F

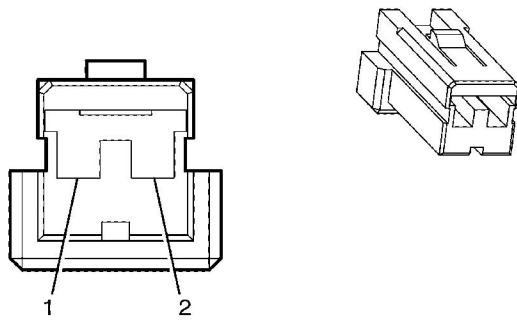
### Terminal Part Information

- | Terminal/Tray: See Terminal Repair Kit
- | Core/Insulation Crimp: See Terminal Repair Kit
- | Release Tool/Test Probe: See Terminal Repair Kit

### Front and Rear Object Alarm Module X3

Pin	Wire Color	Circuit No.	Function
1	0.3 BN	6581	Object Sensor Supply Voltage
2-3	--	--	Not Used
4	0.3 PU/WH	5215	LF Corner Object Sensor Signal
5	0.3 WH	5216	LF Middle Object Sensor Signal
6-7	--	--	Not Used
8	0.3 OG/BK	5214	Object Sensor Low Reference
9	--	--	Not Used
10	0.3 WH	5218	RF Middle Object Sensor Signal
11	0.3 BN/WH	5217	RF Corner Object Sensor Signal
12-14	--	--	Not Used

### Front and Rear Object Alarm



### Connector Part Information

- | OEM:
- | Service: See Catalog
- | Description: 2-Way

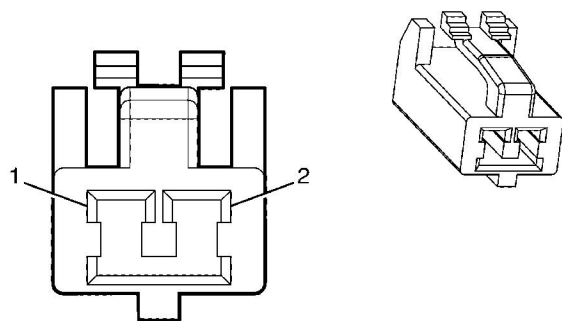
### Terminal Part Information

- | Terminal/Tray: See Terminal Repair Kit
- | Core/Insulation Crimp: See Terminal Repair Kit
- | Release Tool/Test Probe: See Terminal Repair Kit

### Front and Rear Object Alarm

Pin	Wire Color	Circuit No.	Function
1	0.3 YE	5247	Object Detection Alarm Signal A
2	0.3 GY	5248	Object Detection Alarm Signal B

### Fuel Door Release Actuator



### Connector Part Information

- | OEM: 7283-1020

- | Service: 88953305
- | Description: 2-Way F 2.3 Series (WH)

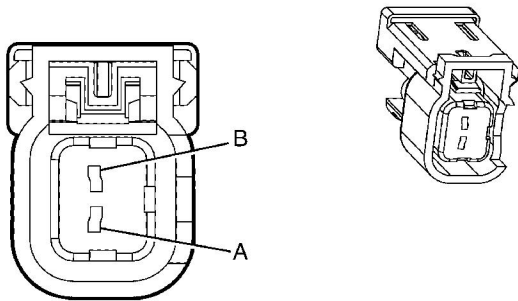
### Terminal Part Information

- | Terminal/Tray: 7116-4021/11
- | Core/Insulation Crimp: 2/A
- | Release Tool/Test Probe: 15315247/J-35616-18 (BK)

### Fuel Door Release Actuator

Pin	Wire Color	Circuit No.	Function
1	1.25 D-GN/WH	295	Door Lock Actuator Lock Control
2	1.25 BN/RD	694	Driver Door Lock Actuator Unlock Control

### Fuel Injector 1 (LY7)



### Connector Part Information

- | OEM: 1-0190667-3
- | Service: See Catalog
- | Description: 2-way F (GY)

### Terminal Part Information

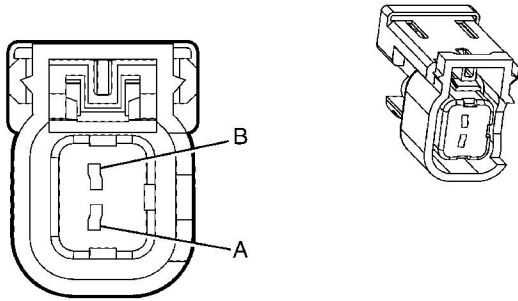
- | Terminal/Tray: See Terminal Repair Kit
- | Core/Insulation Crimp: See Terminal Repair Kit
- | Release Tool/Test Probe: See Terminal Repair Kit

### Fuel Injector 1 (LY7)

Pin	Wire Color	Circuit No.	Function
A	0.8 PK/BU	5291	Ignition 1 Voltage
B	0.5 BN/BK	1744	Fuel Injector 1 Control

### Fuel Injector 1 (L98 or HSV)





### Connector Part Information

- | OEM: 7283-8756
- | Service: 15306318
- | Description: 2-way F

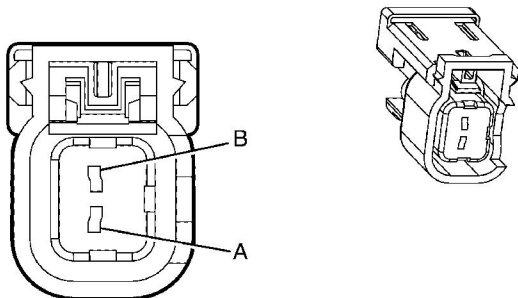
### Terminal Part Information

- | Terminal/Tray: 12176636/19
- | Core/Insulation Crimp: C/1
- | Release Tool/Test Probe: 12094429/J-35616-14 (GN)

### Fuel Injector 1 (L98 or HSV)

Pin	Wire Color	Circuit No.	Function
A	0.75 PK/BU	5291	Ignition 1 Voltage
B	0.75 BN/BK	1744	Fuel Injector 1 Control

### Fuel Injector 2 (LY7)



### Connector Part Information

- | OEM: 1-0190667-3
- | Service: See Catalog
- | Description: 2-Way F (GY)

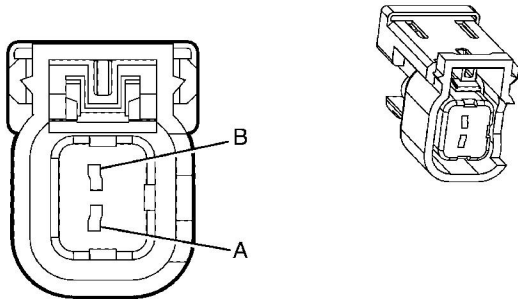
### Terminal Part Information

- | Terminal/Tray: See Terminal Repair Kit
- | Core/Insulation Crimp: See Terminal Repair Kit
- | Release Tool/Test Probe: See Terminal Repair Kit

### Fuel Injector 2 (LY7)

Pin	Wire Color	Circuit No.	Function
A	0.8 PK	5292	Ignition 1 Voltage
B	0.8 L-GN/BK	1745	Fuel Injector 2 Control

### Fuel Injector 2 (L98 or HSV)



### Connector Part Information

- | OEM: 7283-8756
- | Service: 15306318
- | Description: 2-Way F

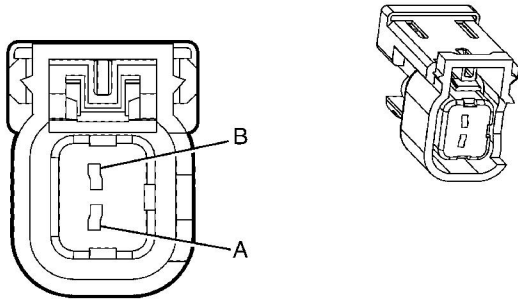
### Terminal Part Information

- | Terminal/Tray: 12176636/19
- | Core/Insulation Crimp: C/1
- | Release Tool/Test Probe: 12094429/J-35616-14 (GN)

### Fuel Injector 2 (L98 or HSV)

Pin	Wire Color	Circuit No.	Function
A	0.75 PK	5292	Ignition 1 Voltage
B	0.75 L-GN/BK	1745	Fuel Injector 2 Control

### Fuel Injector 3 (LY7)



### Connector Part Information

- | OEM: 1-0190667-3
- | Service: See Catalog
- | Description: 2-Way F (GY)

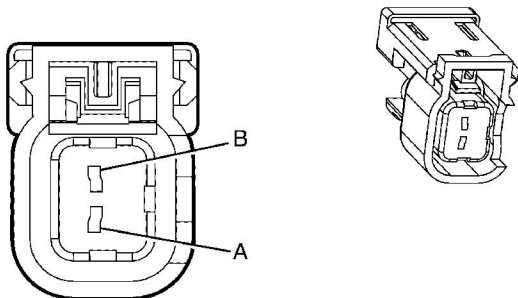
### Terminal Part Information

- | Terminal/Tray: See Terminal Repair Kit
- | Core/Insulation Crimp: See Terminal Repair Kit
- | Release Tool/Test Probe: See Terminal Repair Kit

### Fuel Injector 3 (LY7)

Pin	Wire Color	Circuit No.	Function
A	0.8 PK/BU	5291	Ignition 1 Voltage
B	0.8 PK/BK	1746	Fuel Injector 3 Control

### Fuel Injector 3 (L98 or HSV)



### Connector Part Information

- | OEM: 7283-8756
- | Service: 15306318
- | Description: 2-Way F

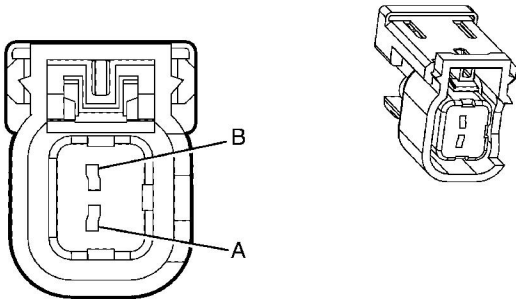
### Terminal Part Information

- | Terminal/Tray: 12176636/19
- | Core/Insulation Crimp: C/1
- | Release Tool/Test Probe: 12094429/J-35616-14 (GN)

### Fuel Injector 3 (L98 or HSV)

Pin	Wire Color	Circuit No.	Function
A	0.75 PK/BU	5291	Ignition 1 Voltage
B	0.75 PK/BK	1746	Fuel Injector 3 Control

### Fuel Injector 4 (LY7)



### Connector Part Information

- | OEM: 1-0190667-3
- | Service: See Catalog
- | Description: 2-Way F (GY)

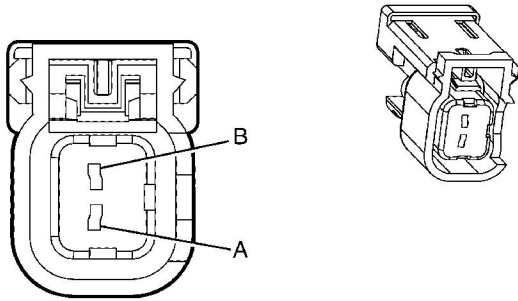
### Terminal Part Information

- | Terminal/Tray: See Terminal Repair Kit
- | Core/Insulation Crimp: See Terminal Repair Kit
- | Release Tool/Test Probe: See Terminal Repair Kit

### Fuel Injector 4 (LY7)

Pin	Wire Color	Circuit No.	Function
A	0.8 PK	5292	Ignition 1 Voltage
B	0.8 L-BU/BK	844	Fuel Injector 4 Control

### Fuel Injector 4 (L98 or HSV)



### Connector Part Information

- | OEM: 7283-8756
- | Service: 15306318
- | Description: 2-Way F

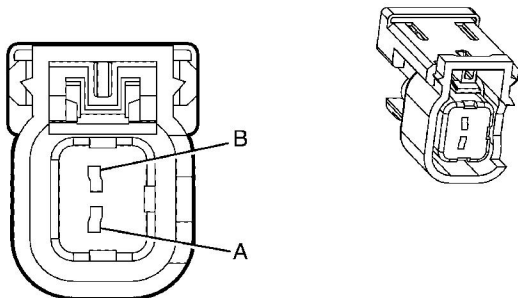
### Terminal Part Information

- | Terminal/Tray: 12176636/19
- | Core/Insulation Crimp: C/1
- | Release Tool/Test Probe: 12094429/J-35616-14 (GN)

### Fuel Injector 4 (L98 or HSV)

Pin	Wire Color	Circuit No.	Function
A	0.75 PK	5292	Ignition 1 Voltage
B	0.75 L-BU/BK	844	Fuel Injector 4 Control

### Fuel Injector 5 (LY7)



### Connector Part Information

- | OEM: 1-0190667-3
- | Service: See Catalog
- | Description: 2-Way F (GY)

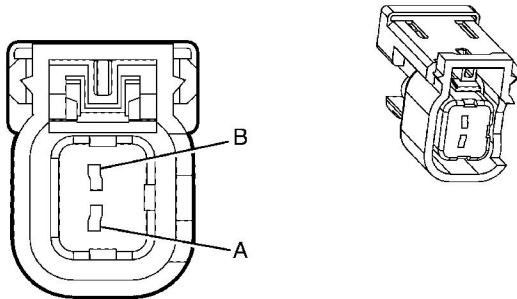
### Terminal Part Information

- | Terminal/Tray: See Terminal Repair Kit
- | Core/Insulation Crimp: See Terminal Repair Kit
- | Release Tool/Test Probe: See Terminal Repair Kit

### Fuel Injector 5 (LY7)

Pin	Wire Color	Circuit No.	Function
A	0.8 PK/BU	5291	Ignition 1 Voltage
B	0.8 BN/WH	845	Fuel Injector 5 Control

### Fuel Injector 5 (L98 or HSV)



### Connector Part Information

- | OEM: 7283-8756
- | Service: 15306318
- | Description: 2-Way F

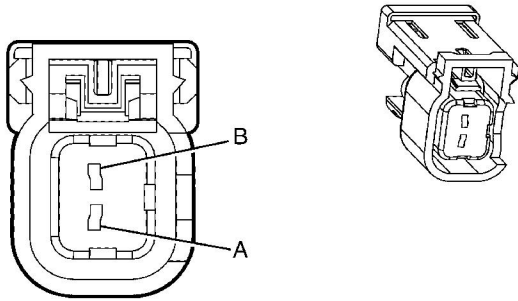
### Terminal Part Information

- | Terminal/Tray: 12176636/19
- | Core/Insulation Crimp: C/1
- | Release Tool/Test Probe: 12094429/J-35616-14 (GN)

### Fuel Injector 5 (L98 or HSV)

Pin	Wire Color	Circuit No.	Function
A	0.75 PK/BU	5291	Ignition 1 Voltage
B	0.75 BN/WH	845	Fuel Injector 5 Control

### Fuel Injector 6 (LY7)



### Connector Part Information

- | OEM: 1-0190667-3
- | Service: See Catalog
- | Description: 2-Way F (GY)

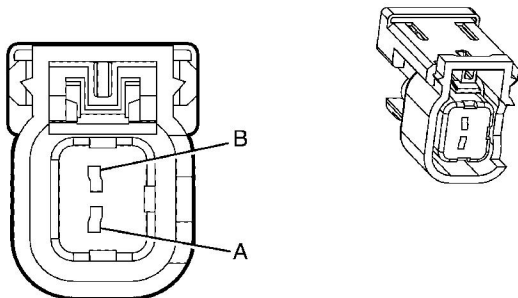
### Terminal Part Information

- | Terminal/Tray: See Terminal Repair Kit
- | Core/Insulation Crimp: See Terminal Repair Kit
- | Release Tool/Test Probe: See Terminal Repair Kit

### Fuel Injector 6 (LY7)

Pin	Wire Color	Circuit No.	Function
A	0.8 PK	5292	Ignition 1 Voltage
B	0.8 YE/BK	846	Fuel Injector 6 Control

### Fuel Injector 6 (L98 or HSV)



### Connector Part Information

- | OEM: 7283-8756
- | Service: 15306318
- | Description: 2-Way F

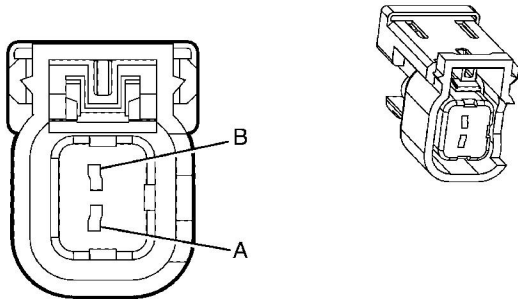
**Terminal Part Information**

- | Terminal/Tray: 12176636/19
- | Core/Insulation Crimp: C/1
- | Release Tool/Test Probe: 12094429/J-35616-14 (GN)

**Fuel Injector 6 (L98 or HSV)**

Pin	Wire Color	Circuit No.	Function
A	0.75 PK	5292	Ignition 1 Voltage
B	0.75 YE/BK	846	Fuel Injector 6 Control

**Fuel Injector 7 (L98 or HSV)**



**Connector Part Information**

- | OEM: 7283-8756
- | Service: 15306318
- | Description: 2-Way F

**Terminal Part Information**

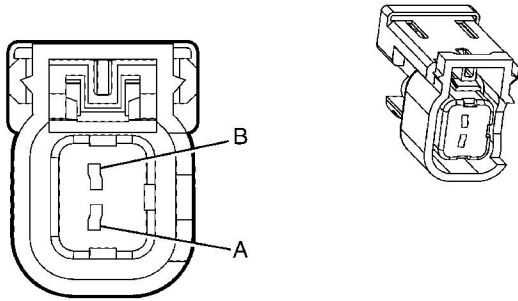
- | Terminal/Tray: 12176636/19
- | Core/Insulation Crimp: C/1
- | Release Tool/Test Probe: 12094429/J-35616-14 (GN)

**Fuel Injector 7 (L98 or HSV)**

Pin	Wire Color	Circuit No.	Function
A	0.75 PK/BU	5291	Ignition 1 Voltage
B	0.75 OG/BK	877	Fuel Injector 7 Control

**Fuel Injector 8 (L98 or HSV)**





### Connector Part Information

- | OEM: 7283-8756
- | Service: 15306318
- | Description: 2-Way F

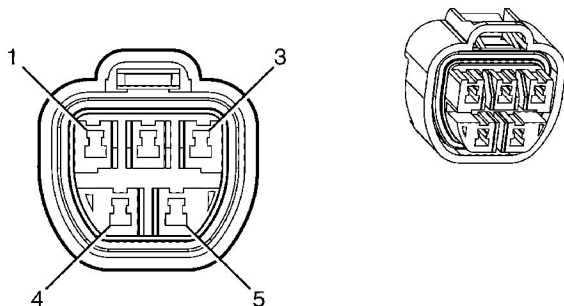
### Terminal Part Information

- | Terminal/Tray: 12176636/19
- | Core/Insulation Crimp: C/1
- | Release Tool/Test Probe: 12094429/J-35616-14 (GN)

### Fuel Injector 8 (L98 or HSV)

Pin	Wire Color	Circuit No.	Function
A	0.75 PK	5292	Ignition 1 Voltage
B	0.75 D-BU/WH	878	Fuel Injector 8 Control

### Fuel Level Sensor - Secondary



### Connector Part Information

- | OEM: 7283-1156
- | Service: See Catalog
- | Description: 5-Way F

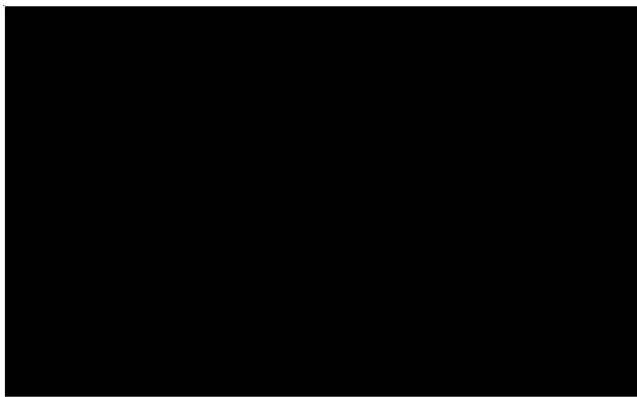
### Terminal Part Information

- | Terminal/Tray: See Terminal Repair Kit
- | Core/Insulation Crimp: See Terminal Repair Kit
- | Release Tool/Test Probe: See Terminal Repair Kit

### Fuel Level Sensor - Secondary

Pin	Wire Color	Circuit No.	Function
1	0.3 BN/YE	452	Fuel Return
2	0.5 L-BU	1937	Fuel Level
3-5	--	--	Not Used

### Fuel Tank Pressure (FTP) Sensor



### Connector Part Information

- | OEM: 13511996
- | Service: 19149288
- | Description: 3-Way

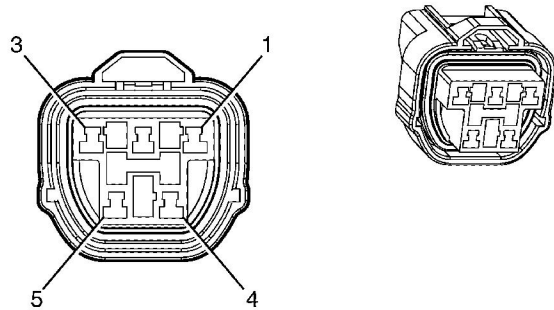
### Terminal Part Information

- | Terminal/Tray: See Terminal Repair Kit
- | Core/Insulation Crimp: See Terminal Repair Kit
- | Release Tool/Test Probe: See Terminal Repair Kit

### Fuel Tank Pressure (FTP) Sensor

Pin	Wire Color	Circuit No.	Function
A	0.5 D-GN	890	Fuel Tank Pressure Sensor Signal
B	0.5 BN/YE	452	Low Reference
C	0.5 GY	2709	5-Volt Reference

## Fuel Pump and Sender Assembly



### Connector Part Information

- | OEM: 15326631
- | Service: 19152589
- | Description: 4-Way F GT 280 5.8 Series Sealed (BK)

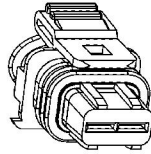
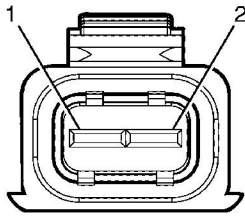
### Terminal Part Information

- | Terminal/Tray: See Terminal Repair Kit
- | Core/Insulation Crimp: See Terminal Repair Kit
- | Release Tool/Test Probe: See Terminal Repair Kit

## Fuel Pump and Sender Assembly

Pin	Wire Color	Circuit No.	Function
1	2 GY	120	Fuel Pump Supply Voltage
2	0.5 PU	1589	Fuel Level Sensor Signal (Primary)
3	2 BK	1350	Ground
4	0.5 BN/YE	452	Low Reference
5	--	--	Not Used

## Generator X1 (L76)



### Connector Part Information

- | OEM: 7283-5483-30
- | Service: See Catalog
- | Description: 2-Way F

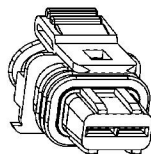
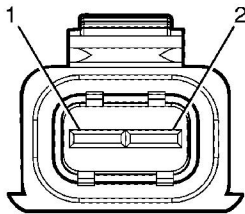
### Terminal Part Information

- | Terminal/Tray: 1928498056/8
- | Core/Insulation Crimp: E/1
- | Release Tool/Test Probe: J-38125-561/J-35616-35 (VT)

### Generator X1 (L76)

Pin	Wire Color	Circuit No.	Function
1	0.5 OG/WH	225	Generator Turn On Signal
2	0.5 PU/WH	23	Generator Field Duty Cycle Signal

### Generator X1 (LY7)



### Connector Part Information

- | OEM: 7183-5344-30

- | Service: See Catalog
- | Description: 2-Way F (BK)

### Terminal Part Information

- | Terminal/Tray: 4-964286-1/16
- | Core/Insulation Crimp: E/1
- | Release Tool/Test Probe: 12093647/J-35616-4A (PU)

### Generator X1 (LY7)

Pin	Wire Color	Circuit No.	Function
1	0.5 OG/WH	225	Generator Turn On Signal
2	0.5 PU/WH	23	Generator Field Duty Cycle Signal

### Generator X2

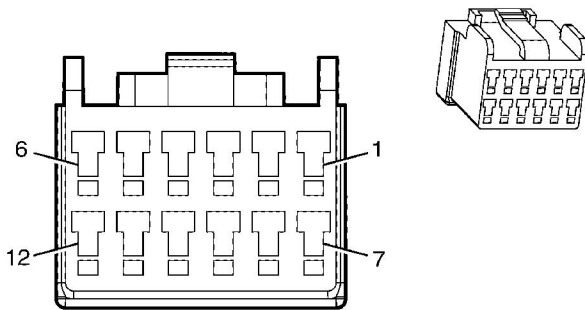
#### Terminal Part Information

- | Terminal: 7003-1190-02-DC
- | Core/Insulation Crimp: N/A
- | Description: Ring Terminal

### Generator X2

Pin	Wire Color	Circuit No.	Function
+	19 RD	2	Battery Positive Voltage
	19 RD	2	Battery Positive Voltage

### Headlamp and Panel Dimmer Switch



#### Connector Part Information

- | OEM: 7123-1725-30
- | Service: See Catalog
- | Description: 12-Way F (BK)

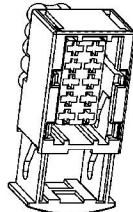
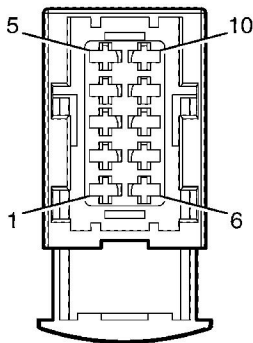
## Terminal Part Information

- | Terminal/Tray: 173681-2/17
- | Core/Insulation Crimp: E/4
- | Release Tool/Test Probe: 15315247/J-35616-16 (L-GN)

## Headlamp and Panel Dimmer Switch

Pin	Wire Color	Circuit No.	Function
1	0.3 WH	103	Headlamp Switch Headlamps On Signal
2	--	--	Not Used
3	0.3 D-GN	306	Headlamp Switch Headlamps Off Signal
4	0.3 BK	850	Ground
5	0.3 BN/WH	301	Park Lamp Switch On Signal
6	0.3 OG	192	Front Fog Lamp Switch Signal
7	0.3 GY/WH	7389	Headlamp Dimming Switch Down
8	0.3 YE	6817	Interior Lights Dimming Switch
9	--	--	Not Used
10	0.5 PK/BU	1339	Ignition 1 Voltage
11	--	--	Not Used
12	0.3 GY/BU	7388	Headlamp Dimming Switch Up

## Headlamp - Left



## Connector Part Information

- | OEM: 7283-7109-30
- | Service: See Catalog
- | Description: 10-Way F (BK)

## Terminal Part Information

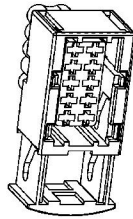
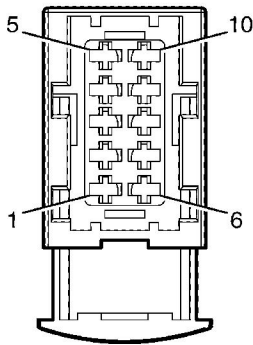
- | Terminal/Tray: See Terminal Repair Kit
- | Core/Insulation Crimp: See Terminal Repair Kit

| Release Tool/Test Probe: See Terminal Repair Kit

### Headlamp - Left

Pin	Wire Color	Circuit No.	Function
1	0.5 BK	250	Ground (-TT7-TT8)
	1.25 BK	250	Ground (TT7/TT8)
2	2 BK	350	Ground
3	0.5 BK	250	Ground
4-5	--	--	Not Used
6	0.5 PU	709	Left Park Lamp Supply Voltage
7	0.5 YE	712	Left Headlamp Low Beam Supply Voltage (-TT7-TT8)
	1.25 YE	712	Left Headlamp Low Beam Supply Voltage (TT7/TT8)
8	0.5 D-GN/WH	711	Left Headlamp High Beam Supply Voltage
9	0.5 L-BU/WH	1314	Left Front Turn Signal Lamp Supply Voltage
10	--	--	Not Used

### Headlamp - Right



#### Connector Part Information

- | OEM: 7283-7109-30
- | Service: See Catalog
- | Description: 10-Way F (BK)

#### Terminal Part Information

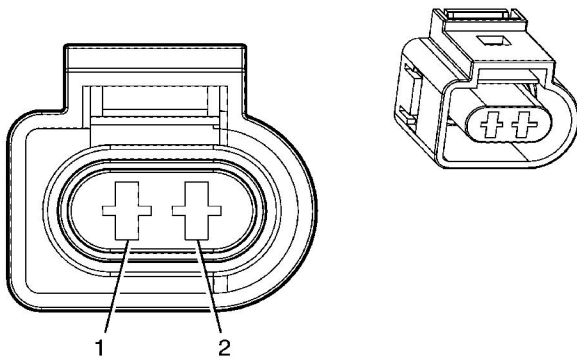
- | Terminal/Tray: See Terminal Repair Kit
- | Core/Insulation Crimp: See Terminal Repair Kit
- | Release Tool/Test Probe: See Terminal Repair Kit

### Headlamp - Right

Pin	Wire Color	Circuit No.	Function

1	0.5 BK	250	Ground (-TT7-TT8)
	1.25 BK	250	Ground (TT7/TT8)
2	2 BK	350	Ground
3	0.5 BK	250	Ground
4-5	--	--	Not Used
6	0.5 BN/WH	309	Right Park Lamp Supply Voltage
7	0.5 BN/BK	312	Right Headlamp Low Beam Supply Voltage (-TT7-TT8)
	1.25 BN/WH	312	Right Headlamp Low Beam Supply Voltage (TT7/TT8)
8	0.5 L-GN/WH	311	Right Headlamp High Beam Supply Voltage
9	0.5 D-BU/WH	1315	Right Front Turn Signal Lamp Supply Voltage
10	--	--	Not Used

## Headlamp Washer Fluid Pump



### Connector Part Information

- | OEM: 2-1355200-2
- | Service: See Catalog
- | Description: 2-Way F

### Terminal Part Information

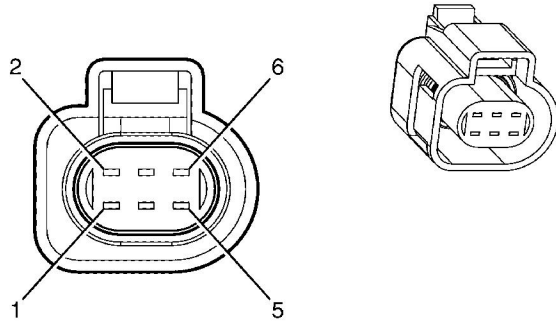
- | Terminal/Tray: See Terminal Repair Kit
- | Core/Insulation Crimp: See Terminal Repair Kit
- | Release Tool/Test Probe: See Terminal Repair Kit

## Headlamp Washer Fluid Pump

Pin	Wire Color	Circuit No.	Function
1	2 BN/WH	6724	Headlamp Washer Fluid Pump
2	0.85 BK	250	Ground

## Heated Oxygen Sensor (HO2S) Bank 1 Sensor 1 (LY7)





### Connector Part Information

- | OEM:
- | Service: See Catalog
- | Description: 6-Way

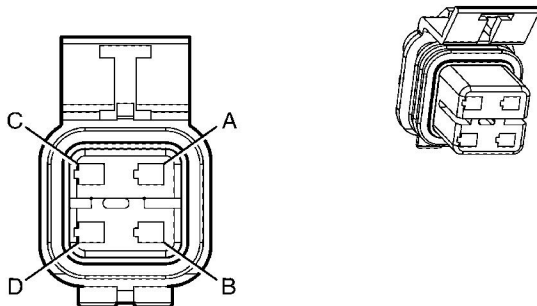
### Terminal Part Information

- | Terminal/Tray: See Terminal Repair Kit
- | Core/Insulation Crimp: See Terminal Repair Kit
- | Release Tool/Test Probe: See Terminal Repair Kit

### Heated Oxygen Sensor (HO2S) Bank 1 Sensor 1 (LY7)

Pin	Wire Color	Circuit No.	Function
1	0.5 WH		HO2S Output Pump Current (Bank 1 Sensor 1)
2	0.5 BN/YE		HO2S Low Signal (Bank 1 Sensor 1)
3	0.75 GY/WH		HO2S Heater Low Control (Bank 1 Sensor 1)
4	0.75 PK/BU		Ignition 1 Voltage
5	0.5 L-GN		HO2S Input Pump Current (Bank 1 Sensor 1)
6	0.5 PU/WH		HO2S High Signal (Bank 1 Sensor 1)

### Heated Oxygen Sensor (HO2S) Bank 1 Sensor 1 (L98 or HSV)





## Connector Part Information

- | OEM: 7219-1744-40
- | Service: See Catalog
- | Description: 4-Way F

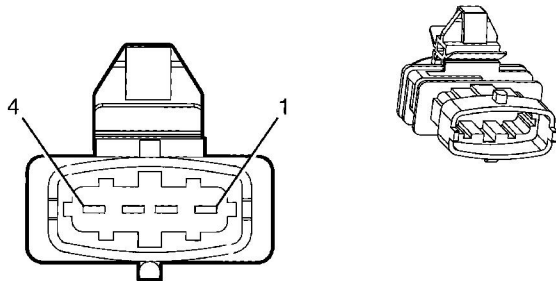
## Terminal Part Information

- | Terminal/Tray: 12048074/2
- | Core/Insulation Crimp: E/1
- | Release Tool/Test Probe: 12094429/J-35616-14 (GN)

## Heated Oxygen Sensor (HO2S) Bank 1 Sensor 1 (L98 or HSV)

Pin	Wire Color	Circuit No.	Function
A	0.5 BN/RD	1664	HO2S Low Signal [- Bank 1 Sensor 1]
B	0.5 PU/WH	1665	HO2S High Signal [- Bank 1 Sensor 1]
C	0.5 GY/WH	3113	HO2S Heater Low Control [- Bank 1 Sensor 1]
D	0.8 PK/BK	5293	Ignition 1 Voltage

## Heated Oxygen Sensor (HO2S) Bank 1 Sensor 2 (LY7)



## Connector Part Information

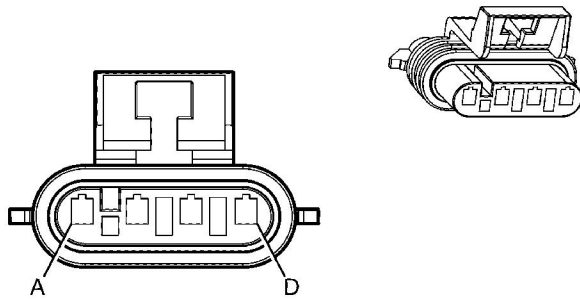
- | OEM: 7182-8145-30
- | Service: 88952839
- | Description: 4-Way M (BK)

## Terminal Part Information

- | Terminal/Tray: 1-962915-3/15
- | Core/Insulation Crimp: E/1
- | Release Tool/Test Probe: 12093647/J-35616-5 (PU)

**Heated Oxygen Sensor (HO2S) Bank 1 Sensor 2 (LY7)**

Pin	Wire Color	Circuit No.	Function
1	0.75 PK/BU	5294	Ignition 1 Voltage
2	0.75 OG/WH	3122	HO2S Heater Low Control (Bank 1 Sensor 2)
3	0.5 BN/RD	3121	HO2S Low Signal (Bank 1 Sensor 2)
4	0.5 PU	3120	HO2S High Signal (Bank 1 Sensor 2)

**Heated Oxygen Sensor (HO2S) Bank 1 Sensor 2 (L98 or HSV or LS2)****Connector Part Information**

- | OEM: 7223-9845-30
- | Service: See Catalog
- | Description: 4-Way F

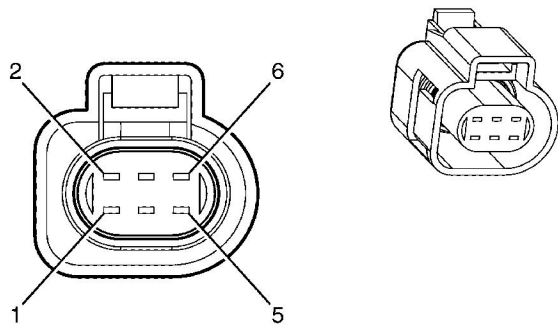
**Terminal Part Information**

- | Terminal/Tray: 12048074/2
- | Core/Insulation Crimp: E/1
- | Release Tool/Test Probe: 12094429/J-35616-14 (GN)

**Heated Oxygen Sensor (HO2S) Bank 1 Sensor 2 (L98 or HSV)**

Pin	Wire Color	Circuit No.	Function
A	0.5 BN/WH	1669	HO2S Low Signal [- Bank 1 Sensor 2]
B	0.5 PU/WH	1668	HO2S High Signal [- Bank 1 Sensor 2]
C	0.5 BN	2391	HO2S Heater Low Control [- Bank 1 Sensor 2]
D	0.78 PK/BU	5294	Ignition 1 Voltage

**Heated Oxygen Sensor (HO2S) Bank 2 Sensor 1 (LY7)**



### Connector Part Information

- | OEM:
- | Service: See Catalog
- | Description: 6-Way

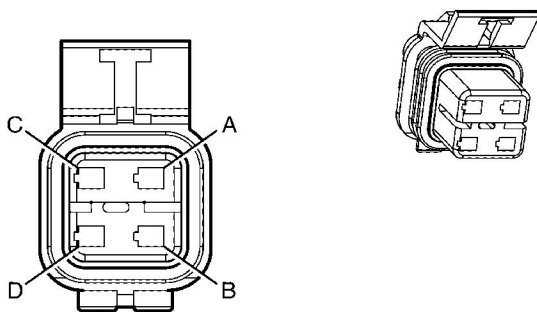
### Terminal Part Information

- | Terminal/Tray: See Terminal Repair Kit
- | Core/Insulation Crimp: See Terminal Repair Kit
- | Release Tool/Test Probe: See Terminal Repair Kit

### Heated Oxygen Sensor (HO2S) Bank 2 Sensor 1 (LY7)

Pin	Wire Color	Circuit No.	Function
1	0.5 PU/WH		HO2S Pump Output Current (Bank 2 Sensor 1)
2	0.5 BN/RD		HO2S Low Signal (Bank 2 Sensor 1)
3	0.75 L-GN		HO2S Heater Low Control (Bank 2 Sensor 1)
4	0.75 PK/BU		Battery 1 Voltage
5	0.5 OG		HO2S Input Pump Current (Bank 2 Sensor 1)
6	0.5 PU		HO2S High Signal (Bank 2 Sensor 1)

### Heated Oxygen Sensor (HO2S) Bank 2 Sensor 1 (L98 or HSV)





### Connector Part Information

- | OEM: 7219-1744-40
- | Service: See Catalog
- | Description: 4-Way F

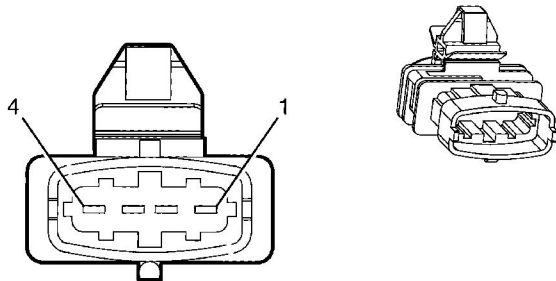
### Terminal Part Information

- | Terminal/Tray: 12048074/2
- | Core/Insulation Crimp: E/1
- | Release Tool/Test Probe: 12094429/J-35616-14 (GN)

### Heated Oxygen Sensor (HO2S) Bank 2 Sensor 1 (L98 or HSV)

Pin	Wire Color	Circuit No.	Function
A	0.5 BN/RD	1667	HO2S Low Signal [- Bank 2 Sensor 1]
B	0.5 PU	1666	HO2S High Signal [- Bank 2 Sensor 1]
C	0.5 L-GN	3212	HO2S Heater Low Control [- Bank 2 Sensor 1]
D	0.8 PK/BU	5293	Ignition 1 Voltage

### Heated Oxygen Sensor (HO2S) Bank 2 Sensor 2 (LY7)



### Connector Part Information

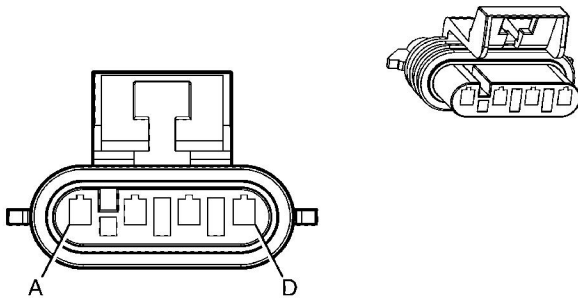
- | OEM: 7182-8145-30
- | Service: See Catalog
- | Description: 4-Way M (GY)

### Terminal Part Information

- | Terminal/Tray: 1-962915-3/15
- | Core/Insulation Crimp: E/1
- | Release Tool/Test Probe: 12093647/J-35616-5 (PU)

**Heated Oxygen Sensor (HO2S) Bank 2 Sensor 2 (LY7)**

Pin	Wire Color	Circuit No.	Function
1	0.75 PK/BU	5294	Battery 1 Voltage
2	0.75 GY/WH	3223	HO2S Heater Low Control (Bank 2 Sensor 2)
3	0.5 BN/GN	3221	HO2S Low Signal (Bank 2 Sensor 2)
4	0.5 PU	3220	HO2S High Signal (Bank 2 Sensor 2)

**Heated Oxygen Sensor (HO2S) Bank 2 Sensor 2 (L98 or HSV)****Connector Part Information**

- | OEM: 7223-9845-30
- | Service: See Catalog
- | Description: 4-Way F

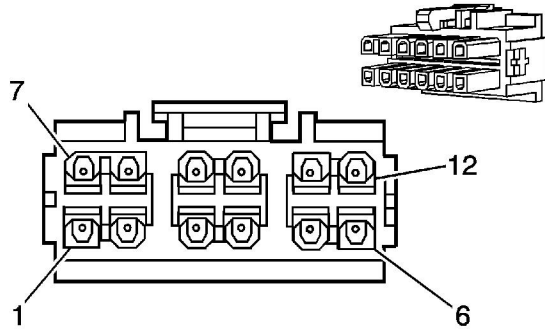
**Terminal Part Information**

- | Terminal/Tray: 12048074/2
- | Core/Insulation Crimp: E/1
- | Release Tool/Test Probe: 12094429/J-35616-14 (GN)

**Heated Oxygen Sensor (HO2S) Bank 2 Sensor 2 (L98 or HSV)**

Pin	Wire Color	Circuit No.	Function
A	0.5 BN/WH	1671	HO2S Low Signal [- Bank 2 Sensor 2]
B	0.5 PU	1670	HO2S High Signal [- Bank 2 Sensor 2]
C	0.5 OG/WH	3223	HO2S Heater Low Control (Bank 2 Sensor 2)
D	0.78 PK/BU	5294	Ignition 1 Voltage

**Heated Seat Control Module - Driver (KA1)**



### Connector Part Information

- | OEM: 15-97-5121
- | Service: See Catalog
- | Description: 12-Way F Mini-Fit Series (BK)

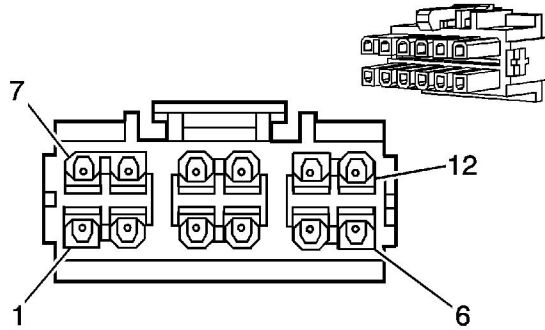
### Terminal Part Information

- | Terminal/Tray: See Terminal Repair Kit
- | Core/Insulation Crimp: See Terminal Repair Kit
- | Release Tool/Test Probe: See Terminal Repair Kit

### Heated Seat Control Module - Driver (KA1)

Pin	Wire Color	Circuit No.	Function
1	--	--	Not Used
2	0.5 RD/YE	2050	Low Reference
3	0.5 PK	1339	Ignition 1 Voltage
4	PU/GN	--	Low Reference
5	0.35 BN	1661	Driver Heated Seat High Temperature Indicator Control
6	0.35 OG/BK	6177	Passenger Heated Seat Intermediate Signal
7	--	--	Not Used
8	0.5 D-GN/RD	2077	Heated Seat Cushion Element Supply Voltage
9	0.35 PK/OG	1501	Driver Heated Seat High/Low Signal
10	--	--	Not Used
11	0.35 WH/YE	1662	Driver Heated Seat Low Temperature Indicator Control
12	0.35 WH/BK	2079	Heated Seat Cushion Temperature Sensor Signal

### Heated Seat Control Module - Passenger (KA1)



### Connector Part Information

- | OEM: 15-97-5121
- | Service: See Catalog
- | Description: 12-Way F Mini-Fit Series (BK)

### Terminal Part Information

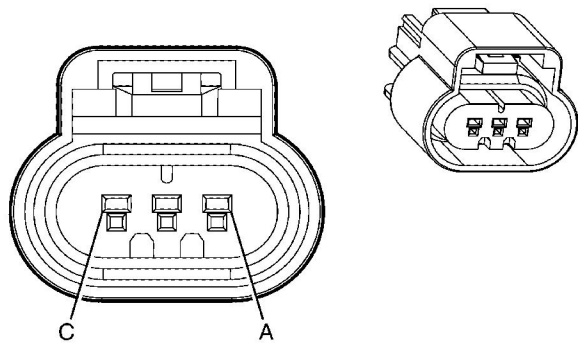
- | Terminal/Tray: See Terminal Repair Kit
- | Core/Insulation Crimp: See Terminal Repair Kit
- | Release Tool/Test Probe: See Terminal Repair Kit

### Heated Seat Control Module - Passenger (KA1)

Pin	Wire Color	Circuit No.	Function
1	--	--	Not Used
2	0.5 RD/YE	2050	Low Reference
3	0.5 PK	1339	Ignition 1 Voltage
4	PU/GN	--	Low Reference
5	0.35 BN	1661	Driver Heated Seat High Temperature Indicator Control
6	0.35 OG/BK	6177	Passenger Heated Seat Intermediate Signal
7	--	--	Not Used
8	0.5 D-GN/RD	2077	Heated Seat Cushion Element Supply Voltage
9	0.35 PK/OG	1501	Driver Heated Seat High/Low Signal
10	--	--	Not Used
11	0.35 WH/YE	1662	Driver Heated Seat Low Temperature Indicator Control
12	0.35 WH/BK	2079	Heated Seat Cushion Temperature Sensor Signal

### Hood Ajar Switch





### Connector Part Information

- | OEM: 7283-6579
- | Service: See Catalog
- | Description: 3-Way F (BK)

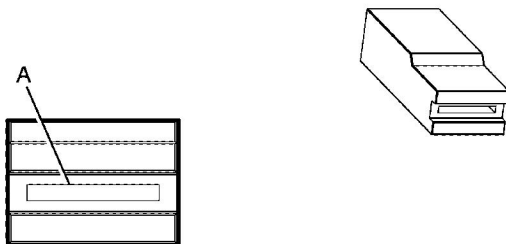
### Terminal Part Information

- | Terminal/Tray: 12191819/8
- | Core/Insulation Crimp: E/A
- | Release Tool/Test Probe: 15315247/J-35616-2A (GY)

### Hood Ajar Switch

Pin	Wire Color	Circuit No.	Function
A	0.3 PK/BK	109	Hood Ajar Switch Signal
B	0.3 PU	5531	Hood Closed Switch Signal
C	0.3 BK	250	Ground

### Horn - Left X1



- | OEM: 7183-0073-30
- | Service: See Catalog

- | Description: 1-Way F (BK)

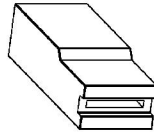
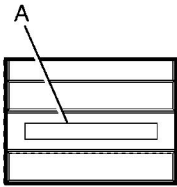
### Terminal Part Information

- | Terminal/Tray: See Terminal Repair Kit
- | Core/Insulation Crimp: See Terminal Repair Kit
- | Release Tool/Test Probe: See Terminal Repair Kit

### Horn - Left X1

Pin	Wire Color	Circuit No.	Function
A	0.75 D-GN	1329	Content Left Horn Control

### Horn - Left X2



- | OEM: 7183-0073-30
- | Service: See Catalog
- | Description: 1-Way F (BK)

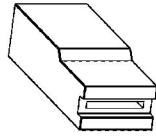
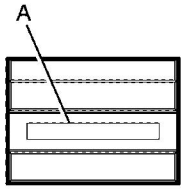
### Terminal Part Information

- | Terminal/Tray: See Terminal Repair Kit
- | Core/Insulation Crimp: See Terminal Repair Kit
- | Release Tool/Test Probe: See Terminal Repair Kit

### Horn - Left X2

Pin	Wire Color	Circuit No.	Function
A	0.75 BK	250	Ground

### Horn - Right X1



- | OEM: 7183-0073-30
- | Service: See Catalog
- | Description: 1-Way F (BK)

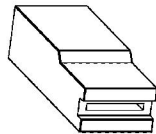
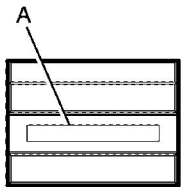
**Terminal Part Information**

- | Terminal/Tray: See Terminal Repair Kit
- | Core/Insulation Crimp: See Terminal Repair Kit
- | Release Tool/Test Probe: See Terminal Repair Kit

**Horn - Right X1**

Pin	Wire Color	Circuit No.	Function
A	0.75 D-GN	1329	Content Right Horn Control

**Horn - Right X2**



- | OEM: 7183-0073-30
- | Service: See Catalog
- | Description: 1-Way F (BK)

**Terminal Part Information**

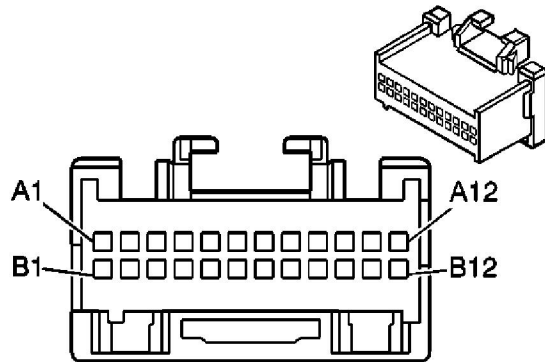
- | Terminal/Tray: See Terminal Repair Kit

- | Core/Insulation Crimp: See Terminal Repair Kit
- | Release Tool/Test Probe: See Terminal Repair Kit

### Horn - Right X2

Pin	Wire Color	Circuit No.	Function
A	0.75 BK	250	Ground

### HVAC Control Module X1 (LHD)



#### Connector Part Information

- | OEM: 12160778
- | Service: 12160778
- | Description: 24-Way F Micro-Pack 100 Series (BN)

#### Terminal Part Information

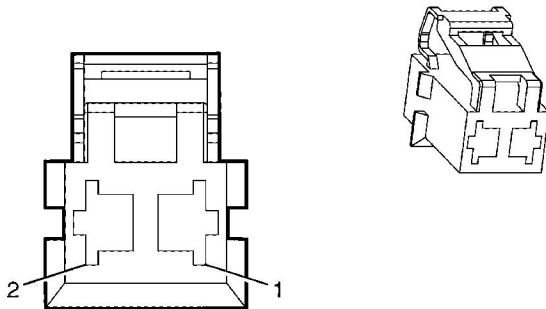
- | Terminal/Tray: See Terminal Repair Kit
- | Core/Insulation Crimp: See Terminal Repair Kit
- | Release Tool/Test Probe: See Terminal Repair Kit

### HVAC Control Module X1 (LHD)

Pin	Wire Color	Circuit No.	Function
A1	0.3 RD/WH	340	Battery Positive Voltage
A2	0.3 YE	6817	LED Backlight Dimming Control
	0.3 YE	6817	LED Backlight Dimming Control
A3	--	--	Not Used
A4	0.3 L-GN	1478	Coolant Level Switch Signal
A5	0.3 BN	247	Medium Blower Motor Control
A6	--	--	Not Used
A7	0.3 PU/WH	5203	Air Quality HC Sensor Signal (K14)
A8	0.3 L-GN/BK	735	Outside Ambient Air Temperature Sensor Signal
A9	0.3 GY	731	A/C Refrigerant Low Temperature Sensor Signal

A10	0.3 L-BU/BK	590	Solar Sensor Driver Signal
A11	0.3 WH	278	Ambient Light Sensor Signal
A12	0.3 GY	705	5-Volt Reference
B1	0.3 PK	1539	Run/Crank Ignition 1 Voltage
B2-B4	--	--	Not Used
B5	0.3 D-GN	5060	Low Speed GMLAN Serial Data
B6	0.3 GY/BK	754	Blower Motor Speed Control
B7	0.3 L-GN/WH	6845	Air Quality NOX Sensor Signal (K14)
B8	--	--	Not Used
B9	0.3 D-GN	734	Inside Air Temperature Sensor Signal
B10	0.3 GY	1548	Passenger Solar Sensor Signal
B11	0.3 BK/WH	451	Ground
B12	0.3 YE	61	Outside Ambient Temperature Sensor Low Reference

## HVAC Control Module X1 (RHD)



### Connector Part Information

- | OEM: 7123-6023-30
- | Service: See Catalog
- | Description: 2-Way F

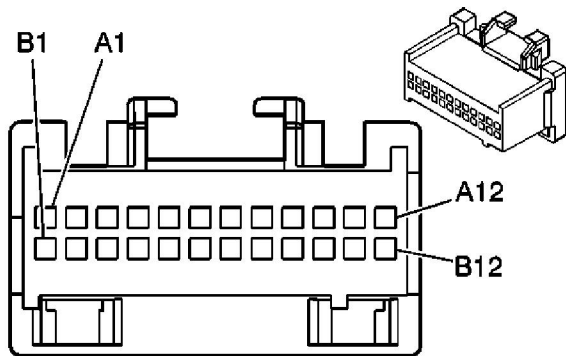
### Terminal Part Information

- | Terminal/Tray: See Terminal Repair Kit
- | Core/Insulation Crimp: See Terminal Repair Kit
- | Release Tool/Test Probe: See Terminal Repair Kit

## HVAC Control Module X1 (RHD)

Pin	Wire Color	Circuit No.	Function
1	3 OG	5987	HVAC Blower Motor Control Circuit
2	3 BK	1450	Ground

## HVAC Control Module X2 (LHD)



### Connector Part Information

- | OEM: 12110088
- | Service: See Catalog
- | Description: 24-Way F Micro-Pack 100 Series (GY)

### Terminal Part Information

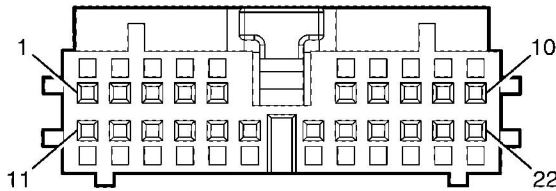
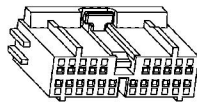
- | Terminal/Tray: See Terminal Repair Kit
- | Core/Insulation Crimp: See Terminal Repair Kit
- | Release Tool/Test Probe: See Terminal Repair Kit

## HVAC Control Module X2 (LHD)

Pin	Wire Color	Circuit No.	Function
A1	0.3 L-BU	733	Air Temperature Door Position Signal
A2	0.3 YE/BK	1814	Mode Door Position Signal
A3	0.3 BN	1838	Recirculation Door Position Signal
A4	0.3 GY	2599	Rear Mode Door Position Signal
A5	--	--	Not Used
A6	0.3 L-BU	2776	Rear Passenger Air Temperature Door Control A
A7	0.3 L-GN/WH	5729	Rear Mode Door Control A
A8	0.3 YE	1791	Air Temperature Door Control Low Reference
A9	0.3 GY/BK	2778	Passenger Air Temperature Motor Control
A10	0.3 YE	1318	Mode Door Control B
A11	0.3 GY	5127	After Boil Coolant Pump Relay Control
A12	0.3 PU	1648	Recirculation Door Control A
B1	0.3 D-BU	1646	Passenger Air Temperature Door Position Signal
B2	--	--	Not Used
B3	0.3 D-GN	2600	Rear Passenger Air Temperature Door Position Signal
B4	0.3 PU	73	Rear Mode Switch Signal (KA6)

B5	0.3 L-BU	72	Rear Temperature Switch Signal (KA6)
B6	0.3 BN	2775	Rear Passenger Air Temperature Door Control B
B7	0.3 L-GN/BK	5730	Rear Mode Door Control B
B8	0.3 D-BU	1199	Air Temperature Door Control
B9	0.3 WH/BK	1236	Passenger Air Temperature Door Control
B10	0.3 TN	2273	Mode Door Control A
B11	--	--	Not Used
B12	0.3 D-GN	1614	Recirculation Door Control B

### HVAC Control Module X3 (RHD)



#### Connector Part Information

- | OEM: 13003501
- | Service: See Catalog
- | Description: 22-Way F

#### Terminal Part Information

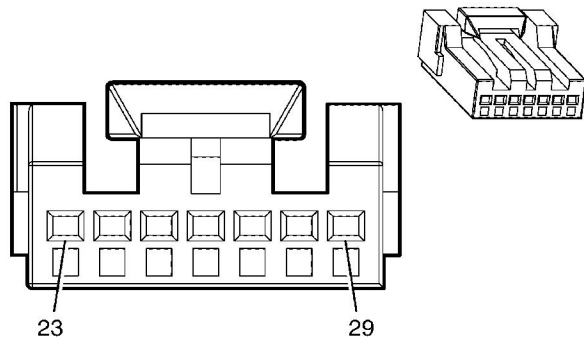
- | Terminal/Tray: See Terminal Repair Kit
- | Core/Insulation Crimp: See Terminal Repair Kit
- | Release Tool/Test Probe: See Terminal Repair Kit

### HVAC Control Module X3 (RHD)

Pin	Wire Color	Circuit No.	Function
1	0.3 BK	119	Mode Actuator 1 - Control
2	0.3 BN	2273	Mode Actuator 1 - Power
3	0.3 GY	2275	Mode Actuator 1 - Feedback
4	0.3 RD	1199	Mode Actuator 2 - Feedback
5	0.3 BK/YE	1646	Air Mix Actuator - Feedback
6	0.3 WH/RD	1838	Recirculation Actuator - Feedback
7	0.35 BK	732	Evaporator Temperature Sensor Signal

8	0.35 BK	731	Evaporator Temperature Sensor Low Reference
9	0.3 D-BU/BK	718	Low Reference
10	0.3 BK/RD	719	Low Reference
11	0.3 L-GN	2210	Mode Actuator 2 - Power
12	0.3 OG	1791	Mode Actuator 2 - Control
13	0.3 WH	2778	Air Mix Actuator - Power
14	0.3 YE	1236	Air Mix Actuator - Control
15	0.3 WH/BK	2274	Recirculation Actuator - Power
16	0.3 WH/BU	1614	Recirculation Actuator - Control
17	0.3 D-GN	474	5-Volt Reference
18	0.3 PK	1236	5-Volt Reference
19	0.3 BK/WH	598	5-Volt Reference
20	0.3 WH/GN	597	5-Volt Reference
21	0.3 D-BU	1791	Low Reference
22	0.3 L-BU	720	Low Reference

### HVAC Control Module (RHD) X4



#### Connector Part Information

- | OEM: 13003497
- | Service: See Catalog
- | Description: 7-Way F

#### Terminal Part Information

- | Terminal/Tray: See Terminal Repair Kit
- | Core/Insulation Crimp: See Terminal Repair Kit
- | Release Tool/Test Probe: See Terminal Repair Kit

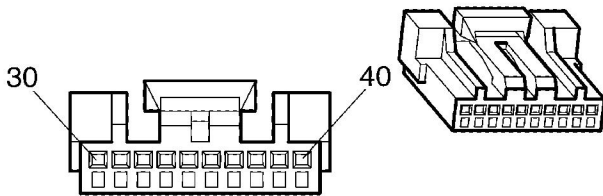
### HVAC Control Module (RHD) X4

Pin	Wire Color	Circuit No.	Function
-----	------------	-------------	----------



23	0.3 D-BU/WH	2148	Dual Zone Air Mix Actuator Power
24	0.3 YE/BK	2147	Dual Zone Air Mix Actuator Control
25	0.3 YE/BU	2178	Dual Zone Air Mix Actuator Feedback
26	0.3 YE/RD	2149	5-Volt Reference
27	--	--	Not Used
28	0.3 BN/WH	476	Low Reference
29	--	--	Not Used

### HVAC Control Module (RHD) X5



#### Connector Part Information

- | OEM: 13001498
- | Service: See Catalog
- | Description: 10-Way F

#### Terminal Part Information

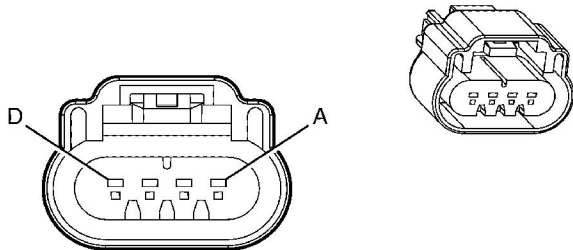
- | Terminal/Tray: See Terminal Repair Kit
- | Core/Insulation Crimp: See Terminal Repair Kit
- | Release Tool/Test Probe: See Terminal Repair Kit

### HVAC Control Module (RHD) X5

Pin	Wire Color	Circuit No.	Function
28	0.3 D-GN/BU	6555	Mode Actuator Rear Power
29	0.3 D-GN/RD	6556	Mode Actuator Rear Control
30	0.3 D-BU/OG	5516	Tri-Zone Air Mix Actuator Control
31	0.3 L-GN/RD	5515	Tri-Zone Air Mix Actuator Power
32	0.3 D-GN/WH	6558	Mode Actuator Rear Feedback
33	0.3 PK/BK	5517	Tri-Zone Air Mix Actuator Feedback
34	0.3 D-GN/OG	6718	5-Volt Reference
35	0.3 D-BU/GN	5518	5-Volt Reference

36	0.3 D-GN/YE	645	Low Reference
37	0.3 RD/BK	552	Low Reference

### Ignition Coil 1 (LY7)



#### Connector Part Information

- | OEM: 7283-9394-30
- | Service: See Catalog
- | Description: 4-Way F (BK)

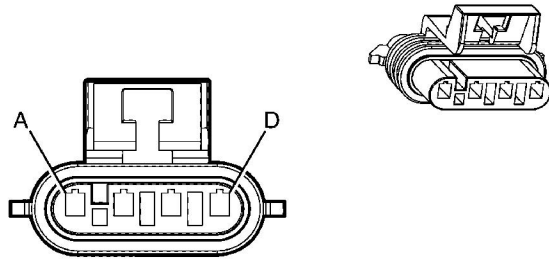
#### Terminal Part Information

- | Pins: A, D
- | Terminal/Tray: 12191819/8
- | Core/Insulation Crimp: 2/A
- | Release Tool/Test Probe: 15315247/J-35616-2A (GY)
  
- | Pins: B, C
- | Terminal/Tray: 12191819/8
- | Core/Insulation Crimp: E/A
- | Release Tool/Test Probe: 15315247/J-35616-2A (GY)

### Ignition Coil 1 (LY7)

Pin	Wire Color	Circuit No.	Function
A	0.75 BK	2550	Ground
B	0.5 PU	6413	Low Reference
C	0.5 PU	2121	IC 1 Control
D	0.75 PK/BU	5291	Ignition 1 Voltage

### Ignition Coil 1 (L98 or HSV)



### Connector Part Information

- | OEM: 7283-9394-30
- | Service: See Catalog
- | Description: 4-Way F

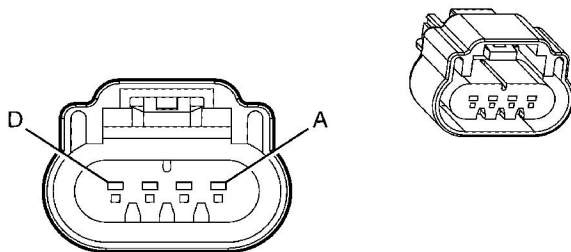
### Terminal Part Information

- | Terminal/Tray: See Terminal Repair Kit
- | Core/Insulation Crimp: See Terminal Repair Kit
- | Release Tool/Test Probe: See Terminal Repair Kit

### Ignition Coil 1 (L98 or HSV)

Pin	Wire Color	Circuit No.	Function
A	0.8 BK	151	Ground
B	0.5 BN	2129	IC 1 Control
C	0.5 PU	2121	IC 1 Control
D	0.8 PK/BK	39	Ignition 1 Voltage

### Ignition Coil 2 (LY7)



## Connector Part Information

- | OEM: 7283-9394-30
- | Service: See Catalog
- | Description: 4-Way F (BK)

## Terminal Part Information

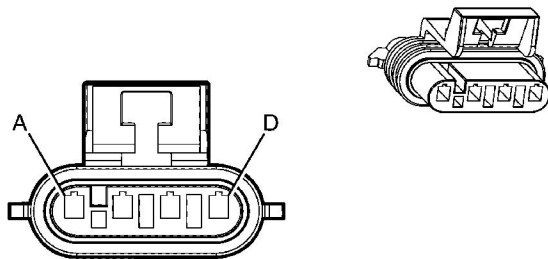
- | Pins: A, D
- | Terminal/Tray: 12191819/8
- | Core/Insulation Crimp: 2/A
- | Release Tool/Test Probe: 15315247/J-35616-2A (GY)

- | Pins: B, C
- | Terminal/Tray: 12191819/8
- | Core/Insulation Crimp: E/A
- | Release Tool/Test Probe: 15315247/J-35616-2A (GY)

## Ignition Coil 2 (LY7)

Pin	Wire Color	Circuit No.	Function
A	0.75 BK	2650	Ground
B	0.5 PK	6414	Low Reference
C	0.5 OG/WH	2122	IC 2 Control
D	0.75 PK	5292	Ignition 1 Voltage

## Ignition Coil 2 (L98 or HSV)



## Connector Part Information

- | OEM: 7283-9394-30
- | Service: See Catalog
- | Description: 4-Way F

## Terminal Part Information

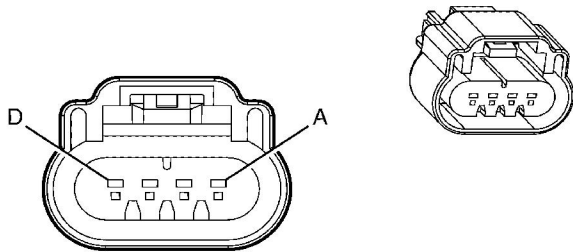
- | Terminal/Tray: See Terminal Repair Kit

- | Core/Insulation Crimp: See Terminal Repair Kit
- | Release Tool/Test Probe: See Terminal Repair Kit

### Ignition Coil 2 (L98 or HSV)

Pin	Wire Color	Circuit No.	Function
A	0.8 BK	151	Ground
B	0.5 BN/WH	2129	IC 2 Control
C	0.5 OG/WH	2127	IC 2 Control
D	0.8 PK/BK	39	Ignition 1Voltage

### Ignition Coil 3 (LY7)



#### Connector Part Information

- | OEM: 7283-9394-30
- | Service: See Catalog
- | Description: 4-Way F (BK)

#### Terminal Part Information

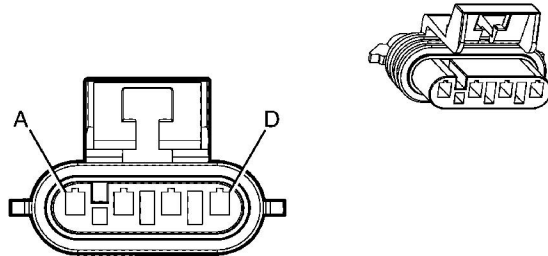
- | Pins: A, D
- | Terminal/Tray: 12191819/8
- | Core/Insulation Crimp: 2/A
- | Release Tool/Test Probe: 15315247/J-35616-2A (GY)
  
- | Pins: B, C
- | Terminal/Tray: 12191819/8
- | Core/Insulation Crimp: E/A
- | Release Tool/Test Probe: 15315247/J-35616-2A (GY)

### Ignition Coil 3 (LY7)

Pin	Wire Color	Circuit No.	Function
A	0.75 BK	2550	Ground
B	0.5 PU	6413	Low Reference

C	0.5 L-BU	2123	IC 3 Control
D	0.75 PK/BU	5291	Ignition 1 Voltage

### Ignition Coil 3 (L98 or HSV)



#### Connector Part Information

- | OEM: 7283-9394-30
- | Service: See Catalog
- | Description: 4-Way F

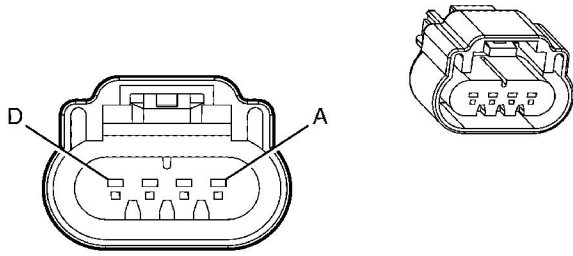
#### Terminal Part Information

- | Terminal/Tray: See Terminal Repair Kit
- | Core/Insulation Crimp: See Terminal Repair Kit
- | Release Tool/Test Probe: See Terminal Repair Kit

### Ignition Coil 3 (L98 or HSV)

Pin	Wire Color	Circuit No.	Function
A	0.8 BK	151	Ground
B	0.5 BN	2129	IC 3 Control
C	0.5 L-BU	2123	IC 3 Control
D	0.8 PK/BK	39	Ignition 1 Voltage

### Ignition Coil 4 (LY7)



### Connector Part Information

- | OEM: 7283-9394-30
- | Service: See Catalog
- | Description: 4-Way F (BK)

### Terminal Part Information

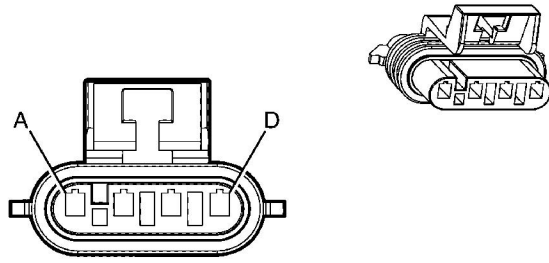
- | Pins: A, D
- | Terminal/Tray: 12191819/8
- | Core/Insulation Crimp: 2/A
- | Release Tool/Test Probe: 15315247/J-35616-2A (GY)

- | Pins: B, C
- | Terminal/Tray: 12191819/8
- | Core/Insulation Crimp: E/A
- | Release Tool/Test Probe: 15315247/J-35616-2A (GY)

### Ignition Coil 4 (LY7)

Pin	Wire Color	Circuit No.	Function
A	0.75 BK	2650	Ground
B	0.5 PK	6414	Low Reference
C	0.5 D-GN/WH	2124	IC 4 Control
D	0.75 PK	5292	Ignition 1 Voltage

### Ignition Coil 4 (L98 or HSV)



### Connector Part Information

- | OEM: 7283-9394-30
- | Service: See Catalog
- | Description: 4-Way F

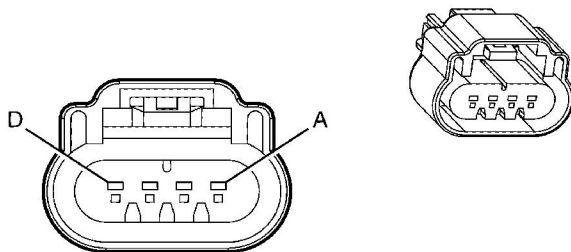
### Terminal Part Information

- | Terminal/Tray: See Terminal Repair Kit
- | Core/Insulation Crimp: See Terminal Repair Kit
- | Release Tool/Test Probe: See Terminal Repair Kit

### Ignition Coil 4 (L98 or HSV)

Pin	Wire Color	Circuit No.	Function
A	0.8 BK	151	Ground
B	0.5 BN/WH	2129	IC 4 Control
C	0.5 D-GN/WH	2125	IC 4 Control
D	0.8 PK/BK	39	Ignition 1Voltage

### Ignition Coil 5 (LY7)





## Connector Part Information

- | OEM: 7283-9394-30
- | Service: See Catalog
- | Description: 4-Way F (BK)

## Terminal Part Information

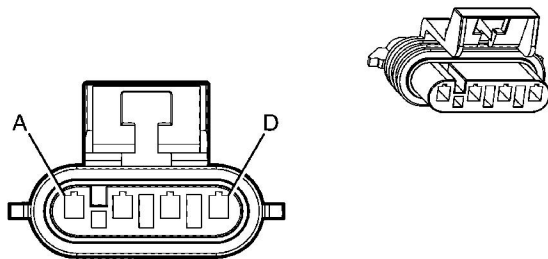
- | Pins: A, D
- | Terminal/Tray: 12191819/8
- | Core/Insulation Crimp: 2/A
- | Release Tool/Test Probe: 15315247/J-35616-2A (GY)

- | Pins: B, C
- | Terminal/Tray: 12191819/8
- | Core/Insulation Crimp: E/A
- | Release Tool/Test Probe: 15315247/J-35616-2A (GY)

## Ignition Coil 5 (LY7)

Pin	Wire Color	Circuit No.	Function
A	0.75 BK	2550	Ground
B	0.5 PU	6413	Low Reference
C	0.5 D-GN/RD	2125	IC 5 Control
D	0.75 PK/BU	5291	Ignition 1 Voltage

## Ignition Coil 5 (L98 or HSV)



## Connector Part Information

- | OEM: 7283-9394-30
- | Service: See Catalog
- | Description: 4-Way F

## Terminal Part Information

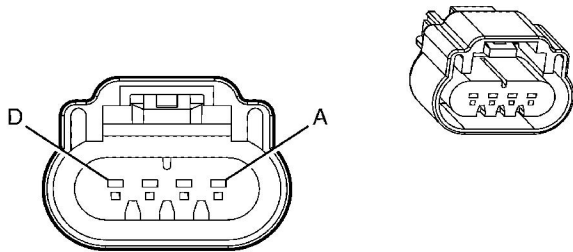
- | Terminal/Tray: See Terminal Repair Kit

- | Core/Insulation Crimp: See Terminal Repair Kit
- | Release Tool/Test Probe: See Terminal Repair Kit

### Ignition Coil 5 (L98 or HSV)

Pin	Wire Color	Circuit No.	Function
A	0.8 BK	151	Ground
B	0.5 BN	2129	IC 5 Control
C	0.5 D-GN	2125	IC 5 Control
D	0.8 PK/BK	39	Ignition 1Voltage

### Ignition Coil 6 (LY7)



#### Connector Part Information

- | OEM: 7283-9394-30
- | Service: See Catalog
- | Description: 4-Way F (BK)

#### Terminal Part Information

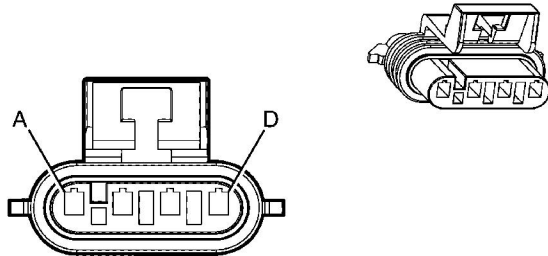
- | Pins: A, D
- | Terminal/Tray: 12191819/8
- | Core/Insulation Crimp: 2/A
- | Release Tool/Test Probe: 15315247/J-35616-2A (GY)
  
- | Pins: B, C
- | Terminal/Tray: 12191819/8
- | Core/Insulation Crimp: E/A
- | Release Tool/Test Probe: 15315247/J-35616-2A (GY)

### Ignition Coil 6 (LY7)

Pin	Wire Color	Circuit No.	Function
A	0.75 BK	2650	Ground
B	0.5 PK	6414	Low Reference

C	0.5 L-BU/WH	2126	IC 6 Control
D	0.75 PK	5292	Ignition 1 Voltage

### Ignition Coil 6 (L98 or HSV)



#### Connector Part Information

- | OEM: 7283-9394-30
- | Service: See Catalog
- | Description: 4-Way F

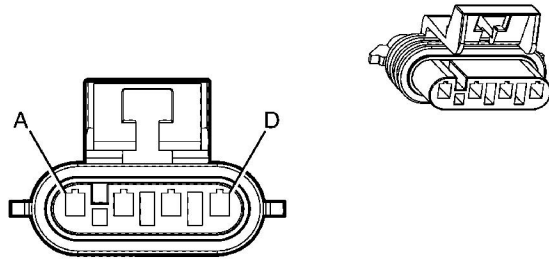
#### Terminal Part Information

- | Terminal/Tray: See Terminal Repair Kit
- | Core/Insulation Crimp: See Terminal Repair Kit
- | Release Tool/Test Probe: See Terminal Repair Kit

### Ignition Coil 6 (L98 or HSV)

Pin	Wire Color	Circuit No.	Function
A	0.8 BK	151	Ground
B	0.5 BN/WH	2129	IC 6 Control
C	0.5 L-BU/WH	2123	IC 6 Control
D	0.8 PK/BK	39	Ignition 1 Voltage

### Ignition Coil 7 (L98 or HSV)



### Connector Part Information

- | OEM: 7283-9394-30
- | Service: See Catalog
- | Description: 4-Way F

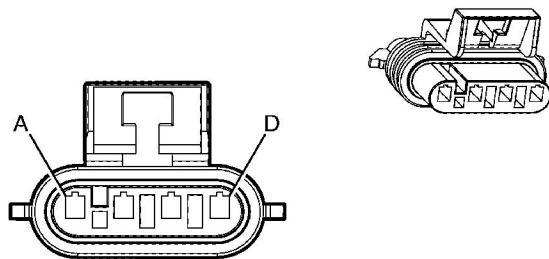
### Terminal Part Information

- | Terminal/Tray: See Terminal Repair Kit
- | Core/Insulation Crimp: See Terminal Repair Kit
- | Release Tool/Test Probe: See Terminal Repair Kit

### Ignition Coil 7 (L98 or HSV)

Pin	Wire Color	Circuit No.	Function
A	0.8 BK	151	Ground
B	0.5 BN	2129	IC 7 Control
C	0.5 OG	2127	IC 7 Control
D	0.8 PK/BK	39	Ignition 1Voltage

### Ignition Coil 8 (L98 or HSV)



### Connector Part Information

- | OEM: 7283-9394-30
- | Service: See Catalog
- | Description: 4-Way F

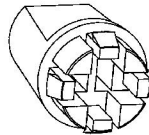
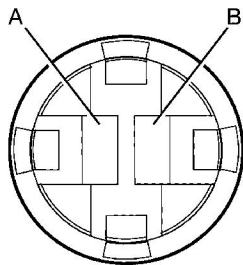
### Terminal Part Information

- | Terminal/Tray: See Terminal Repair Kit
- | Core/Insulation Crimp: See Terminal Repair Kit
- | Release Tool/Test Probe: See Terminal Repair Kit

### Ignition Coil 8 (L98 or HSV)

Pin	Wire Color	Circuit No.	Function
A	0.8 BK	151	Ground
B	0.5 BN/WH	2129	IC 8 Control
C	0.5 PU/WH	2121	IC 8 Control
D	0.8 PK/BK	39	Ignition 1 Voltage

### Ignition Key Cylinder Lamp



### Connector Part Information

- | OEM: 7141-5191-30
- | Service: See Catalog
- | Description: 2-Way F (BK)

### Terminal Part Information

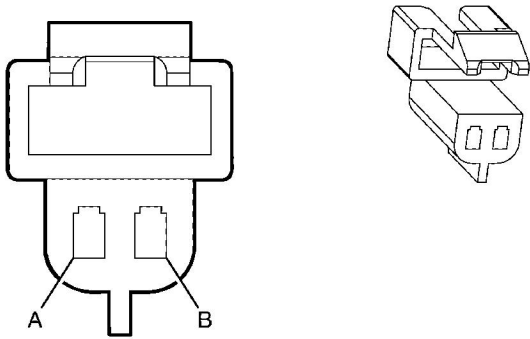
- | Terminal/Tray: See Terminal Repair Kit
- | Core/Insulation Crimp: See Terminal Repair Kit
- | Release Tool/Test Probe: See Terminal Repair Kit

### Ignition Key Cylinder Lamp

Pin	Wire Color	Circuit No.	Function

A	0.5 D-BU/WH	149	Courtesy Lamp Supply Voltage
B	0.5 BK	850	Ground

### Ignition Lock Cylinder Control Solenoid



- | OEM: 7123-9722-30
- | Service: 12101825
- | Description: 2-Way F (BK)

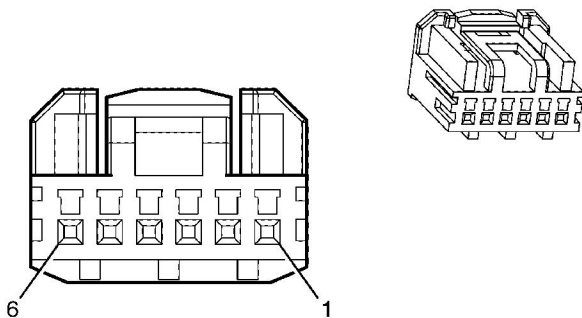
#### Terminal Part Information

- | Terminal/Tray: 12064971/5
- | Core/Insulation Crimp: E/C
- | Release Tool/Test Probe: 12094429/J-35616-14 (GN)

### Ignition Lock Cylinder Control Solenoid

Pin	Wire Color	Circuit No.	Function
A	0.5 BN	443	Accessory Voltage
B	0.3 PU/WH	1630	Steering Column Key Cylinder Lock Solenoid Control

### Ignition Switch





## Connector Part Information

- | OEM: 7283-9467-30
- | Service: See Catalog
- | Description: 6-Way F (BK)

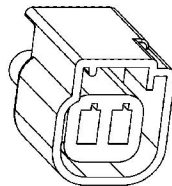
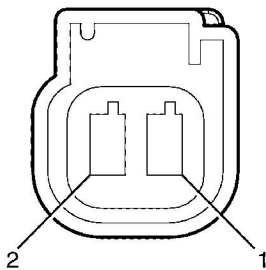
## Terminal Part Information

- | Terminal/Tray: SHCM-A03T-P025/20
- | Core/Insulation Crimp: J/J
- | Release Tool/Test Probe: 12094429/J-35616-64B (L-BU)

## Ignition Switch

Pin	Wire Color	Circuit No.	Function
1	0.3 PK	3	Run/Crank Voltage
2	0.5 OG/BK	1040	Battery Positive Voltage
3	0.3 BN	4	Ignition 1 Voltage
4	0.3 WH	1390	Ignition Key Resistor Low Reference
5	--	--	Not Used
6	0.3 WH/BK	1073	Ignition Key Resistor Signal

## Inflatable Restraint Front End Sensor - Left



## Connector Part Information

- | OEM: 7283-6291-30
- | Service: See Catalog
- | Description: 2-Way F (BK)

## Terminal Part Information

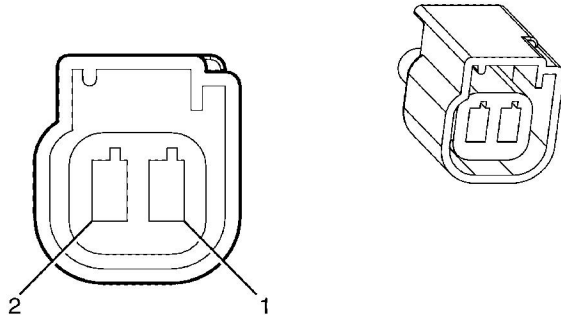
- | Terminal/Tray: 7116-4102-08/9
- | Core/Insulation Crimp: E/1

Release Tool/Test Probe: 12094430/J-35616-2A (GY)

### Inflatable Restraint Front End Sensor - Left

Pin	Wire Color	Circuit No.	Function
1	0.3 YE	354	Discriminating Sensor - Signal
2	0.3 BN/YE	5045	Discriminating Sensor - Low Reference

### Inflatable Restraint Front End Sensor - Right



#### Connector Part Information

- Release Tool/Test Probe: 12094430/J-35616-2A (GY)
- OEM: 7283-6291-30
- Service: See Catalog
- Description: 2-Way F (BK)

#### Terminal Part Information

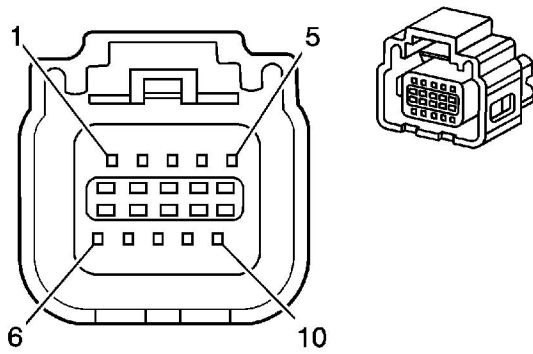
- Release Tool/Test Probe: 12094430/J-35616-2A (GY)
- Terminal/Tray: 7116-4102-08/9
- Core/Insulation Crimp: E/1

### Inflatable Restraint Front End Sensor - Right

Pin	Wire Color	Circuit No.	Function
1	0.3 D-GN	1409	Discriminating Sensor - Right Signal
2	0.3 GY	5600	Discriminating Sensor - Low Reference

### Inflatable Restraint Front Passenger Presence System (PPS) Module X1





### Connector Part Information

- | OEM: 28032115
- | Service: See Catalog
- | Description: 10-Way F (BK)

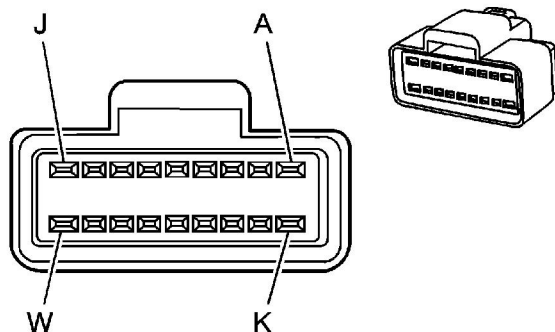
### Terminal Part Information

- | Terminal/Tray: See Terminal Repair Kit
- | Core/Insulation Crimp: See Terminal Repair Kit
- | Release Tool/Test Probe: See Terminal Repair Kit

## Inflatable Restraint Front Passenger Presence System (PPS) Module X1

Pin	Wire Color	Circuit No.	Function
1	0.35 WH/PK	3940	PPS Supply Voltage
2	0.5 BK/WH	1751	Ground
3	--	--	Not Used
4	0.35 D-GN/RD	5060	Low Speed GMLAN Serial Data
5-10	--	--	Not Used

## Inflatable Restraint Front Passenger Presence System (PPS) Module X2





### Connector Part Information

- | OEM: 15326082
- | Service: Serviced as part of an assembly
- | Description: 18-Way F (BK)

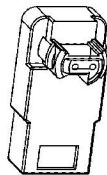
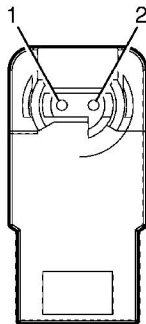
### Terminal Part Information

- | Terminal/Tray: See Terminal Repair Kit
- | Core/Insulation Crimp: See Terminal Repair Kit
- | Release Tool/Test Probe: See Terminal Repair Kit

## Inflatable Restraint Front Passenger Presence System (PPS) Module X2

Pin	Wire Color	Circuit No.	Function
1	CLR	--	--
2	CLR	--	--
3	CLR	--	--
4	CLR	--	--
5	CLR	--	--

## Inflatable Restraint I/P Module X1



### Connector Part Information

- | OEM: 7335-4222
- | Service: See Catalog
- | Description: 2-Way M (YE)

### Terminal Part Information

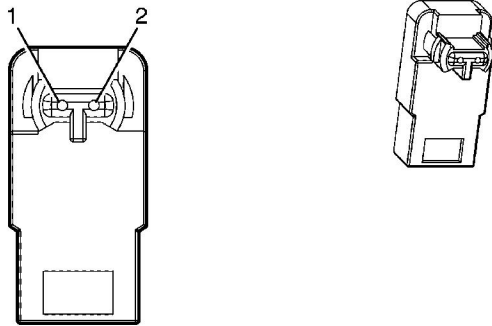
- | Terminal/Tray: See Terminal Repair Kit
- | Core/Insulation Crimp: See Terminal Repair Kit

- Release Tool/Test Probe: See Terminal Repair Kit

### **Inflatable Restraint I/P Module X1**

Pin	Wire Color	Circuit No.	Function
1	0.5 D-BU	3024	I/P Module - Stage 1 - Low Control
2	0.5 YE	3025	I/P Module - Stage 1 - High Control

### **Inflatable Restraint I/P Module X2**



#### **Connector Part Information**

- OEM: 7335-4221
- Service: See Catalog
- Description: 2-Way M (GN)

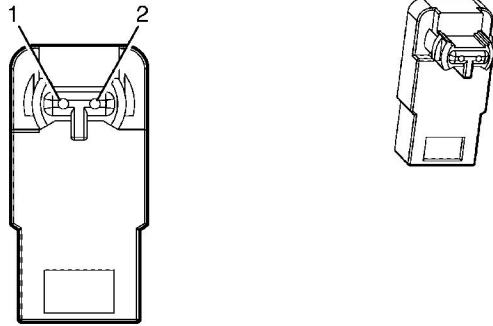
#### **Terminal Part Information**

- Terminal/Tray: See Terminal Repair Kit
- Core/Insulation Crimp: See Terminal Repair Kit
- Release Tool/Test Probe: See Terminal Repair Kit

### **Inflatable Restraint I/P Module X2**

Pin	Wire Color	Circuit No.	Function
1	0.5 PU	3026	I/P Module - Stage 2 - Low Control
2	0.5 D-GN	3027	I/P Module - Stage 2 - High Control

### **Inflatable Restraint Roof Rail Module - Left**



### Connector Part Information

- | OEM: 7335-6470
- | Service: See Catalog
- | Description: 2-Way M (GN)

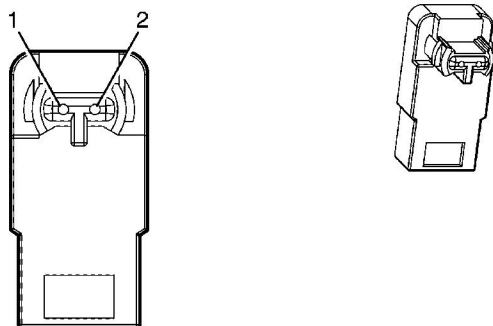
### Terminal Part Information

- | Terminal/Tray: See Terminal Repair Kit
- | Core/Insulation Crimp: See Terminal Repair Kit
- | Release Tool/Test Probe: See Terminal Repair Kit

### Inflatable Restraint Roof Rail Module - Left

Pin	Wire Color	Circuit No.	Function
1	0.5 BN/BK	5019	Roof Rail Module - Left - High Control
2	0.5 PK	5020	Roof Rail Module - Left - Low Control

### Inflatable Restraint Roof Rail Module - Right



### Connector Part Information

- | OEM: 7335-6471

- | Service: See Catalog
- | Description: 2-Way M (GN)

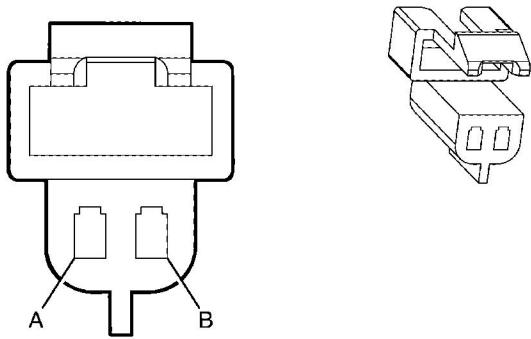
### Terminal Part Information

- | Terminal/Tray: See Terminal Repair Kit
- | Core/Insulation Crimp: See Terminal Repair Kit
- | Release Tool/Test Probe: See Terminal Repair Kit

### Inflatable Restraint Roof Rail Module - Right

Pin	Wire Color	Circuit No.	Function
1	0.5 PU/YE	5021	Roof Rail Module - Right - High Control
2	0.5 WH/BK	5022	Roof Rail Module - Right - Low Control

### Inflatable Restraint Seat Position Sensor - Driver



### Connector Part Information

- | OEM: 12052832
- | Service: 12052832
- | Description: 2-Way F Metri-Pack 150 Series (BK)

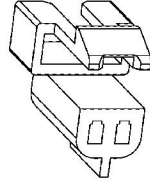
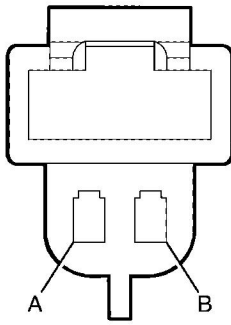
### Terminal Part Information

- | Terminal/Tray: See Terminal Repair Kit
- | Core/Insulation Crimp: See Terminal Repair Kit
- | Release Tool/Test Probe: See Terminal Repair Kit

### Inflatable Restraint Seat Position Sensor - Driver

Pin	Wire Color	Circuit No.	Function
A	0.3 PK/BU	5055	Seat Position Sensor- Left - Signal
B	0.3 PU/WH	5057	Seat Belt Switch - Right Front - Low Reference

### Inflatable Restraint Seat Position Sensor - Passenger



### Connector Part Information

- | OEM: 12052832
- | Service: 12052832
- | Description: 2-Way F Metri-Pack 150 Series (BK)

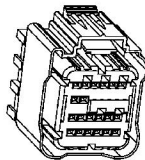
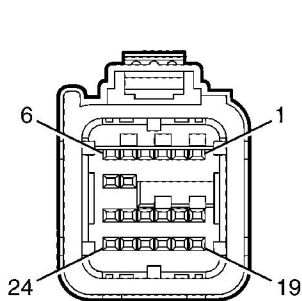
### Terminal Part Information

- | Terminal/Tray: See Terminal Repair Kit
- | Core/Insulation Crimp: See Terminal Repair Kit
- | Release Tool/Test Probe: See Terminal Repair Kit

### Inflatable Restraint Seat Position Sensor - Passenger

Pin	Wire Color	Circuit No.	Function
A	0.3 PK/BU	5056	Seat Position Sensor- Right - Signal
B	0.3 PU/WH	5057	Seat Belt Switch - Right Front - Low Reference

### Inflatable Restraint Sensing and Diagnostic Module (SDM) X1



### Connector Part Information

- | OEM: 7287-1849-30
- | Service: See Catalog
- | Description: 24-Way F (BK)

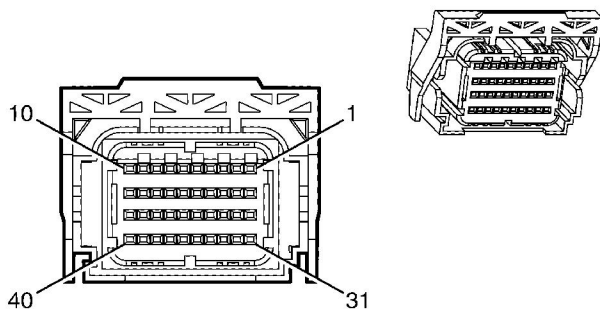
### Terminal Part Information

- | Terminal/Tray: See Terminal Repair Kit
- | Core/Insulation Crimp: See Terminal Repair Kit
- | Release Tool/Test Probe: See Terminal Repair Kit

### Inflatable Restraint Sensing and Diagnostic Module (SDM) X1

Pin	Wire Color	Circuit No.	Function
1	0.3 BN	3020	Steering Wheel Module - Stage1 - Low Control
2	0.3 BN/RD	3021	Steering Wheel Module - Stage1 - High Control
3	0.3 WH	3023	Steering Wheel Module - Stage2 - High Control
4	0.3 PK	3022	Steering Wheel Module - Stage2 - Low Control
5	0.3 YE/BK	2138	Side Impact Module -LF - Low Control
6	0.3 BN	2137	Side Impact Module -LF - High Control
7-18	--	--	Not Used
19	0.3 GY	5045	Discriminating Sensor - Low Reference
20	0.3 D-GN	354	Discriminating Sensor - Signal
21	0.5 PK/BU	339	Ignition 1 Voltage
22	0.5 OG/YE	1340	Battery Positive Voltage
23	--	--	Not Used
24	0.5 BK/WH	1751	Ground

### Inflatable Restraint Sensing and Diagnostic Module (SDM) X2



### Connector Part Information

- | OEM: 7287-1850-30
- | Service: See Catalog
- | Description: 40-Way F (BK)

## Terminal Part Information

- | Terminal/Tray: See Terminal Repair Kit
- | Core/Insulation Crimp: See Terminal Repair Kit
- | Release Tool/Test Probe: See Terminal Repair Kit

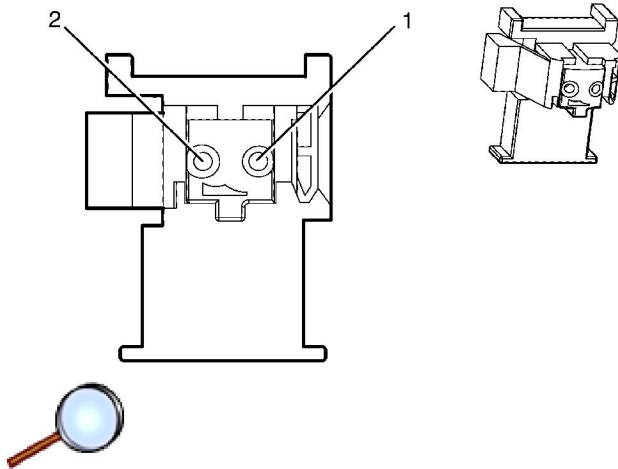
### Inflatable Restraint Sensing and Diagnostic Module (SDM) X2

Pin	Wire Color	Circuit No.	Function
1	0.5 BN/BK	5019	Roof Rail Module - Left - High Control (LHD)
	0.5 PU/YE	5021	Roof Rail Module - Right - High Control (RHD)
2	0.5 PK	5020	Roof Rail Module - Left - Low Control (LHD)
	0.5 WH/BK	5022	Roof Rail Module - Right - Low Control (RHD)
3	0.5 WH/BK	5022	Roof Rail Module - Right - Low Control (LHD)
	0.5 PK	5020	Roof Rail Module - Left - Low Control (RHD)
4	0.5 PU/YE	5021	Roof Rail Module -Right - High Control (LHD)
	0.5 BN/BK	2019	(RHD)
5	0.3 BK/WH	2135	Side Impact Module -RF - High Control
6	0.3 L-GN	2136	Side Impact Module - RF - Low Control
7	0.3 PU	3026	I/P Module - Stage 2 - Low Control
8	0.3 D-GN	3027	I/P Module - Stage 2 - High Control (LHD)
9	0.3 YE	3025	I/P Module - Stage 1 - High Control
10	0.3 D-BU	3024	I/P Module - Stage 1 - Low Control
11-14	--	--	Not Used
15	0.3 BK/WH	2118	Seat Belt Pretensioner - Left High Control
16	0.3 OG/BK	2119	Seat Belt Pretensioner - Left Low Control
17	0.3 OG	2117	Seat Belt Pretensioner - Right Low Control
18	0.3 L-GN	2116	Seat Belt Pretensioner - Right High Control
19-22	--	--	Not Used
23	0.3 D-GN	1409	Discriminating Sensor - Right Signal (LHD)
	0.3 YE	354	Discriminating Sensor - Signal (RHD)
24	0.3 GY	5600	Discriminating Sensor - Low Reference (LHD)
	0.3 BN/YE	5045	Discriminating Sensor - Low Reference (RHD)
25	0.3 PU/WH	6628	Side Impact Sensing Module - Right - Low Reference (LHD)
	0.3 WH/BK	6629	Side Impact Sensing Module - Right - Low Reference (RHD)
26	0.3 WH	2132	Side Impact Sensing Module - Left - Signal (LHD)
	0.3 D-GN	2134	Side Impact Sensing Module - Right - Signal (RHD)
27	0.3 D-GN	2134	Side Impact Sensing Module - Right - Signal (LHD)
	0.3 WH	2132	Side Impact Sensing Module - Left - Signal (RHD)
28	0.3 WH/BK	6629	Side Impact Sensing Module - Left - Low Reference (LHD)
	0.3 PU/WH	6628	Side Impact Sensing Module - Left - Low Reference (RHD)
29-34	--	--	Not Used
35	0.3 L-GN	5055	Seat Position Sensor - Left - Signal (LHD)



36	0.3 BK/WH	238	Seat Belt Switch - Left (LHD)
37	--	--	Not Used
38	0.3 D-BU	1363	Seat Belt Switch - Left - Low Reference (LHD)
39	--	--	Not Used
40	0.35 D-GN	5060	Low Speed GMLAN Serial Data (LHD)

### Inflatable Restraint Side Impact Module - Left X1



#### Connector Part Information

- | OEM: CA-252-92-5-Q
- | Service: See Catalog
- | Description: 2-Way F (YE)

#### Terminal Part Information

- | Terminal/Tray: See Terminal Repair Kit
- | Core/Insulation Crimp: See Terminal Repair Kit
- | Release Tool/Test Probe: See Terminal Repair Kit

### Inflatable Restraint Side Impact Module - Left X1

Pin	Wire Color	Circuit No.	Function
1	0.3 BK/WH	2137	Side Impact Module - Left Front - High Control
2	0.3 L-GN	2138	Side Impact Module - Left Front - Low Control

### Inflatable Restraint Side Impact Module - Left X2

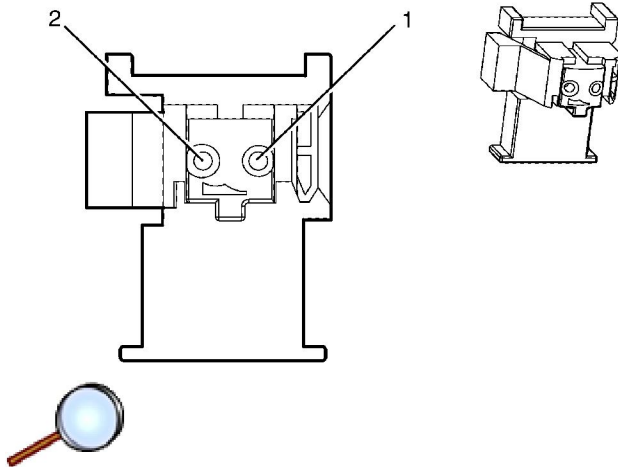
#### Terminal Part Information

- | Terminal:
- | Core/Insulation Crimp: N/A
- | Release Tool/Test Probe: Ring Terminal

### Inflatable Restraint Side Impact Module - Left X2

Pin	Wire Color	Circuit No.	Function
A	0.3 BK/WH	1751	Ground

## Inflatable Restraint Side Impact Module - Right X1



### Connector Part Information

- | OEM: CA-252-92-5-Q
- | Service: See Catalog
- | Description: 2-Way F (YE)

### Terminal Part Information

- | Terminal/Tray: See Terminal Repair Kit
- | Core/Insulation Crimp: See Terminal Repair Kit
- | Release Tool/Test Probe: See Terminal Repair Kit

## Inflatable Restraint Side Impact Module - Right X1

Pin	Wire Color	Circuit No.	Function
1	0.3 BN	2135	Side Impact Module - Right Front - High Control
2	0.3 YE/BK	2136	Side Impact Module - Right Front - Low Control

## Inflatable Restraint Side Impact Module - Right X2

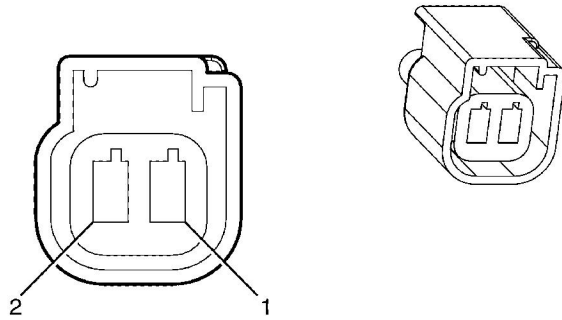
### Terminal Part Information

- | Terminal:
- | Core/Insulation Crimp: N/A
- | Release Tool/Test Probe: Ring Terminal

## Inflatable Restraint Side Impact Module - Right X2

Pin	Wire Color	Circuit No.	Function
A	0.3 BK/WH	1751	Ground

## Inflatable Restraint Side Impact Sensor (SIS) - Left



### Connector Part Information

- | OEM: 7283-6291-30
- | Service: See Catalog
- | Description: 2-Way F (BK)

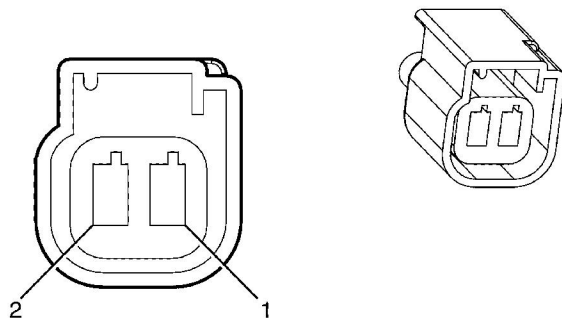
### Terminal Part Information

- | Terminal/Tray: 7116-4102-08/9
- | Core/Insulation Crimp: E/1
- | Release Tool/Test Probe: 12094430/J-35616-2A (GY)

## Inflatable Restraint Side Impact Sensor (SIS) - Left

Pin	Wire Color	Circuit No.	Function
1	0.3 WH	2132	Side Impact Sensing Module - Left - Signal
2	0.3 PU/WH	6628	Side Impact Sensing Module - Left - Low Reference

## Inflatable Restraint Side Impact Sensor (SIS) - Right



### Connector Part Information

- | OEM: 7283-6291-30
- | Service: See Catalog
- | Description: 2-Way F (BK)

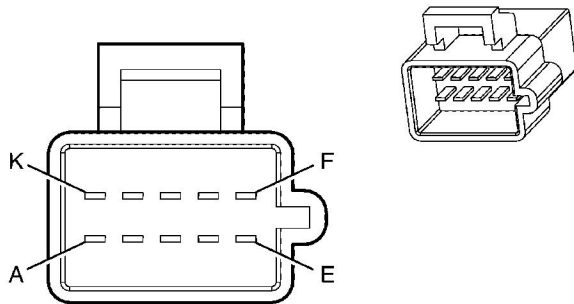
### Terminal Part Information

- | Terminal/Tray: 7116-4102-08/9
- | Core/Insulation Crimp: E/1
- | Release Tool/Test Probe: 12094430/J-35616-2A (GY)

### Inflatable Restraint Side Impact Sensor (SIS) - Right

Pin	Wire Color	Circuit No.	Function
1	0.3 D-GN	2134	Side Impact Sensing Module - Right - Signal
2	0.3 WH/BK	6629	Side Impact Sensing Module - Right - Low Reference

### Inflatable Restraint Steering Wheel Module Coil X1



### Connector Part Information

- | OEM: 7182-6974
- | Service: See Catalog
- | Description: 10-Way M (NA)

### Terminal Part Information

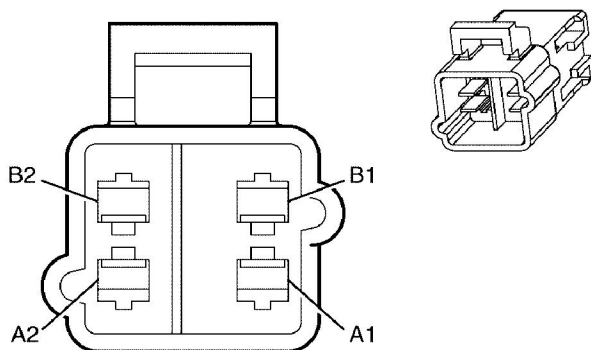
- | Terminal/Tray: 12047581/2
- | Core/Insulation Crimp: E/C
- | Release Tool/Test Probe: 12094429/J-35616-3 (GY)

### Inflatable Restraint Steering Wheel Module Coil X1

Pin	Wire Color	Circuit No.	Function
A	0.3 GY/BU	7367	Steering Wheel Resistor Ladder Right Signal #2
B	0.3 BN/GN	7364	Steering Wheel Resistor Ladder Right Signal #1

C	0.3 BN	7312	Steering Wheel Resistor Ladder Left Signal #1
D	0.3 L-BU	7313	Steering Wheel Resistor Ladder Left Signal #2
E	0.3 BN/WH	897	DIC Switch Low Reference
F	0.3 OG/BK	5201	Steering Wheel Controls Signal
G	0.3 BK	850	Ground
H	0.3 PU/WH	7005	I/P Dimming Control
J	0.3 BN/BK	28	Horn Relay Control
K	--	--	Not Used

## Inflatable Restraint Steering Wheel Module Coil X2 (RHD)



### Connector Part Information

- | OEM: 7182-7297-70
- | Service: See Catalog
- | Description: 4-Way M (YE)

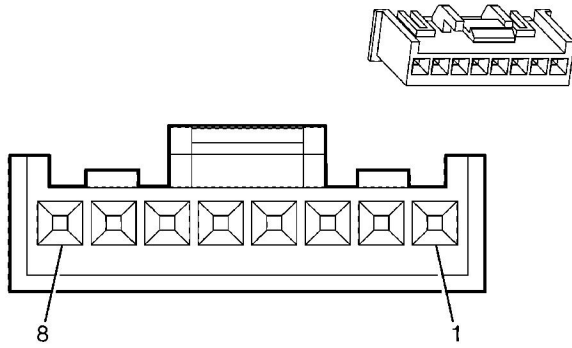
### Terminal Part Information

- | Terminal/Tray: 12034047/2
- | Core/Insulation Crimp: E/A
- | Release Tool/Test Probe: 12094430/J-35616-5 (PU)

## Inflatable Restraint Steering Wheel Module Coil X2 (RHD)

Pin	Wire Color	Circuit No.	Function
A1	0.3 BN/RD	3021	Steering Wheel Module - Stage1 - High Control
A2	0.3 BN	3020	Steering Wheel Module - Stage1 - Low Control
B1	0.3 WH	3023	Steering Wheel Module - Stage2 - High Control
B2	0.3 PK	3022	Steering Wheel Module - Stage2 - Low Control

## Inflatable Restraint Steering Wheel Module Coil X2 (LHD)



- | OEM: XMR-08V
- | Service: See Catalog
- | Description: 8-Way F (WH)

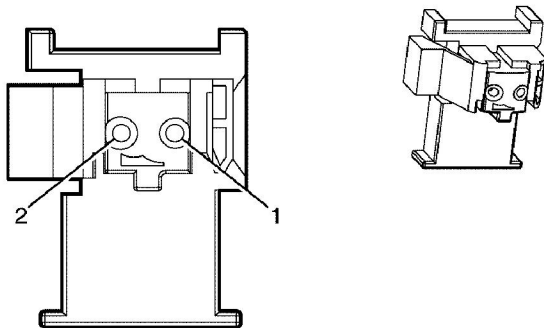
### Terminal Part Information

- | Terminal/Tray: See Terminal Repair Kit
- | Core/Insulation Crimp: See Terminal Repair Kit
- | Release Tool/Test Probe: See Terminal Repair Kit

### Inflatable Restraint Steering Wheel Module Coil X2 (LHD)

Pin	Wire Color	Circuit No.	Function
1	0.3 GY/BU	7367	Steering Wheel Resistor Ladder Right Signal #2
2	0.3 YE	7364	Steering Wheel Resistor Ladder Right Signal #1
3	0.3 BN	7312	Steering Wheel Resistor Ladder Left Signal #1
4	0.3 L-BU	7313	Steering Wheel Resistor Ladder Left Signal #2
5	0.3 D-GN	897	DIC Switch Low Reference
6	0.3 OG/BK	5201	Steering Wheel Controls Signal
7	0.3 BK	1551	Ground

### Inflatable Restraint Steering Wheel Module X1





### Connector Part Information

- | OEM: CA-252-92-5-Q
- | Service: See Catalog
- | Description: 2-Way M (OG)

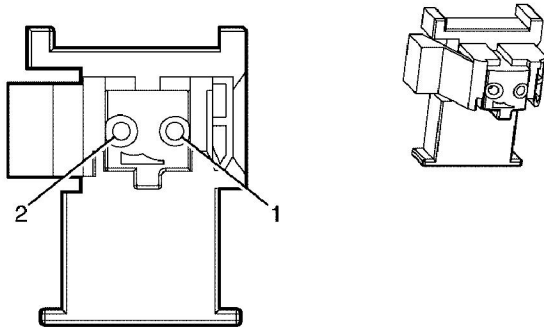
### Terminal Part Information

- | Terminal/Tray: See Terminal Repair Kit
- | Core/Insulation Crimp: See Terminal Repair Kit
- | Release Tool/Test Probe: See Terminal Repair Kit

### Inflatable Restraint Steering Wheel Module X1

Pin	Wire Color	Circuit No.	Function
1	0.3 BN	3020	Steering Wheel Module - Stage1 - Low Control
2	0.3 TN	3021	Steering Wheel Module - Stage1 - High Control

### Inflatable Restraint Steering Wheel Module X2



### Connector Part Information

- | OEM: CA-252-92-5-Q
- | Service: See Catalog
- | Description: 2-Way M (BU)

### Terminal Part Information

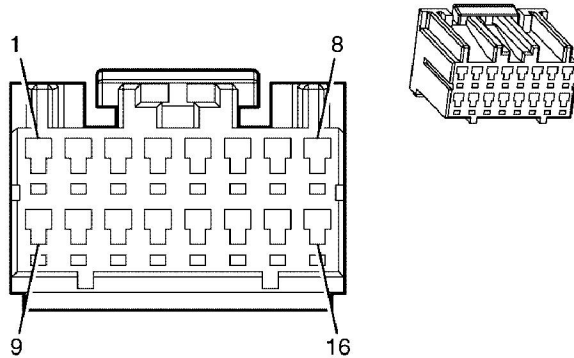
- | Terminal/Tray: See Terminal Repair Kit
- | Core/Insulation Crimp: See Terminal Repair Kit
- | Release Tool/Test Probe: See Terminal Repair Kit

### Inflatable Restraint Steering Wheel Module X2

Pin	Wire Color	Circuit No.	Function

1	0.3 PK	3022	Steering Wheel Module - Stage2 - Low Control
2	0.3 WH	3023	Steering Wheel Module - Stage2 - High Control

## Inside Rearview Mirror (ISRVM) (UE1)



### Connector Part Information

- | OEM: 7283-1766-30
- | Service: See Catalog
- | Description: 16-Way F (BK)

### Terminal Part Information

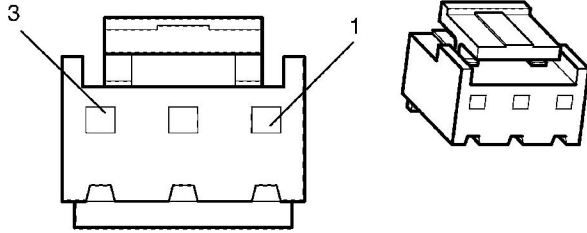
- | Terminal/Tray: 175266-5/15
- | Core/Insulation Crimp: J/J
- | Release Tool/Test Probe: 15315247/J-35616-16 (L-GN)

## Inside Rearview Mirror (ISRVM) (UE1)

Pin	Wire Color	Circuit No.	Function
1	--	--	Not Used
2	0.3 D-GN	654	Cellular Telephone Microphone Low Reference
3-7	--	--	Not Used
8	0.3 BK	1450	Ground
9	0.5 L-GN	24	Backup Lamp Supply Voltage
10	0.3 GY	655	Cellular Microphone Signal
11	0.3 D-GN/WH	2514	Keypad Signal
12	0.3 L-GN/BK	2515	Keypad Supply Voltage
13	0.5 BN	1339	Ignition Voltage 1
14	0.3 YE/BK	2516	Keypad Green LED Signal
15	0.3 BN/WH	2517	Keypad Red LED Signal
16	--	--	Not Used



## Inside Rearview Mirror (ISRVM) (without UE1)



### Connector Part Information

- | OEM: 12124239
- | Service: See Catalog
- | Description: 3-Way F

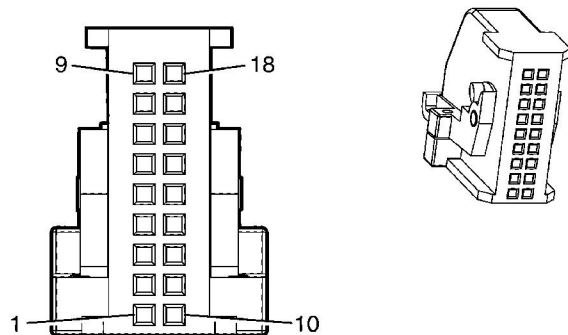
### Terminal Part Information

- | Terminal/Tray: See Terminal Repair Kit
- | Core/Insulation Crimp: See Terminal Repair Kit
- | Release Tool/Test Probe: See Terminal Repair Kit

## Inside Rearview Mirror (ISRVM) (without UE1)

Pin	Wire Color	Circuit No.	Function
1	0.5 BN	443	Ignition Voltage 1
2	0.3 BK	1450	Ground
3	0.5 L-GN	24	Backup Lamp Supply Voltage

## Instrument Panel Cluster





## Connector Part Information

- | OEM: 7219-1198-30
- | Service: See Catalog
- | Description: 18-Way F (BK)

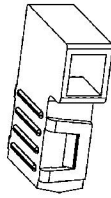
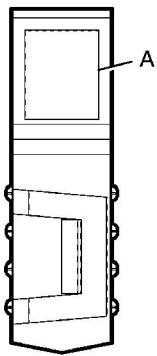
## Terminal Part Information

- | Pins: 1, 9
- | Terminal/Tray: 928999-5/15
- | Core/Insulation Crimp: J/J
- | Release Tool/Test Probe: 12094429/J-35616-64B (L-BU)
  
- | Pins: 2-8, 10-18
- | Terminal/Tray: 928999-5/15
- | Core/Insulation Crimp: H/H
- | Release Tool/Test Probe: 12094429/J-35616-64B (L-BU)

## Instrument Panel Cluster

Pin	Wire Color	Circuit No.	Function
1	0.5 OG/WH	1840	Battery Positive Voltage
2	0.3 GY	728	Security Indicator Control
3	0.3 D-BU	7148	Bluetooth Signal
4	--	--	Not Used
5	0.5 BN	185	Low Washer Fluid Indicator Signal
6	0.3 BN	7312	Left Steering Wheel Scroll 1
7	0.3 GY/BU	7367	Right Steering Wheel Scroll 2
8	0.3 BN/GN	7364	Right Steering Wheel Scroll 1
9	0.5 BK	850	Ground
10	0.3 PK	3	Ignition 1 Voltage
11	0.3 BN/WH	419	MIL Control
12	0.3 OG/BK	5201	Steering Wheel Controls Signal
13	0.3 BN/WH	33	Brake Warning Indicator Control
14	--	--	Not Used
15	0.35 L-GN	9203	Low Speed GMLAN Serial Data
16	--	--	Not Used
17	0.3 L-BU	7313	Left Steering Wheel Scroll 2
18	0.3 BN/WH	897	DIC Switch Low Reference

## I/P Compartment Lamp X1



### Connector Part Information

- | OEM: 180984-5
- | Service: See Catalog
- | Description: 1-Way F

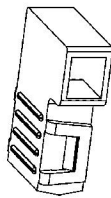
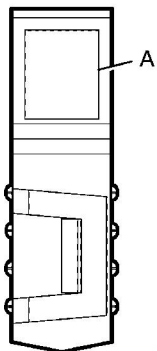
### Terminal Part Information

- | Terminal/Tray: See Terminal Repair Kit
- | Core/Insulation Crimp: See Terminal Repair Kit
- | Release Tool/Test Probe: See Terminal Repair Kit

### I/P Compartment Lamp X1

Pin	Wire Color	Circuit No.	Function
A	0.85 OG	1732	Courtesy Lamps Supply Voltage

### I/P Compartment Lamp X2



### Connector Part Information

- | OEM: 180984-5
- | Service: See Catalog

- | Description: 1-Way F

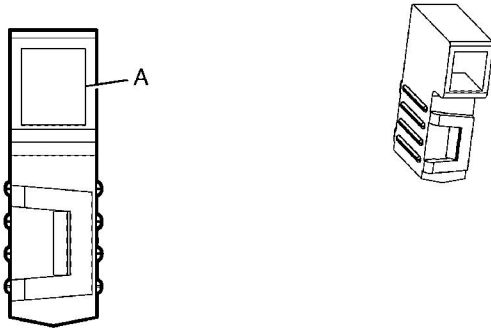
### Terminal Part Information

- | Terminal/Tray: See Terminal Repair Kit
- | Core/Insulation Crimp: See Terminal Repair Kit
- | Release Tool/Test Probe: See Terminal Repair Kit

### I/P Compartment Lamp X2

Pin	Wire Color	Circuit No.	Function
A	0.5 PU	175	Glove Box Lamp Control

### I/P Compartment Lamp Switch X1



### Connector Part Information

- | OEM: 180984-5
- | Service: See Catalog
- | Description: 1-Way F

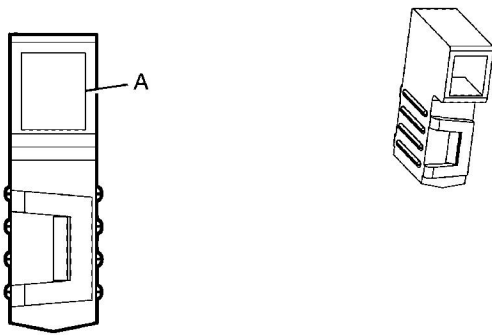
### Terminal Part Information

- | Terminal/Tray: See Terminal Repair Kit
- | Core/Insulation Crimp: See Terminal Repair Kit
- | Release Tool/Test Probe: See Terminal Repair Kit

### I/P Compartment Lamp Switch X1

Pin	Wire Color	Circuit No.	Function
A	0.5 PU	175	Glove Box Lamp Control

### I/P Compartment Lamp Switch X2



**Connector Part Information**

- | OEM: 180984-5
- | Service: See Catalog
- | Description: 1-Way F

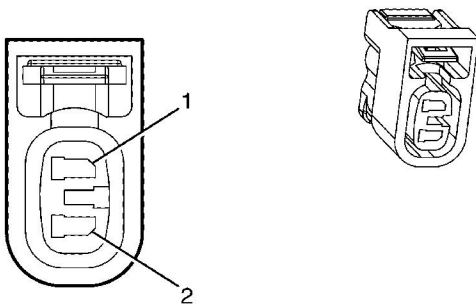
**Terminal Part Information**

- | Terminal/Tray: See Terminal Repair Kit
- | Core/Insulation Crimp: See Terminal Repair Kit
- | Release Tool/Test Probe: See Terminal Repair Kit

**I/P Compartment Lamp Switch X2**

Pin	Wire Color	Circuit No.	Function
A	0.5 BK/WH	1450	Ground

**Intake Manifold Tuning (IMT) Solenoid Valve (LY7)**



**Connector Part Information**

- | OEM: 7283-8226-30
- | Service: 88988587

- | Description: 2-Way F 090 Class II Series Sealed (BK)

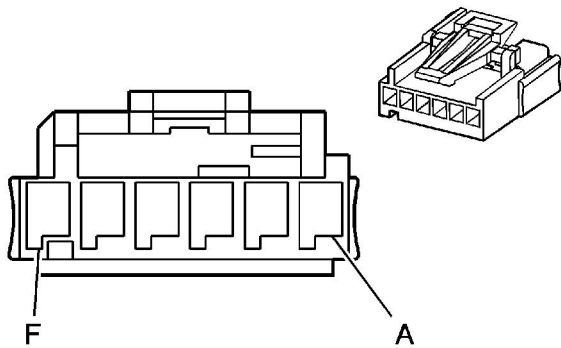
### Terminal Part Information

- | Terminal/Tray: 7116-4026/11
- | Core/Insulation Crimp: E/1
- | Release Tool/Test Probe: 15313892/J-35616-18 (BK)

### Intake Manifold Tuning (IMT) Solenoid Valve (LY7)

Pin	Wire Color	Circuit No.	Function
1	0.75 PU/BK	5293	Ignition 1 Voltage
2	0.75 BN	1997	EVAP Canister Vent Solenoid Valve Low Reference

### Internal Mode Switch (IMS)



### Connector Part Information

- | OEM: 15493189
- | Service: See Catalog
- | Description: 6-Way F (NA)

### Terminal Part Information

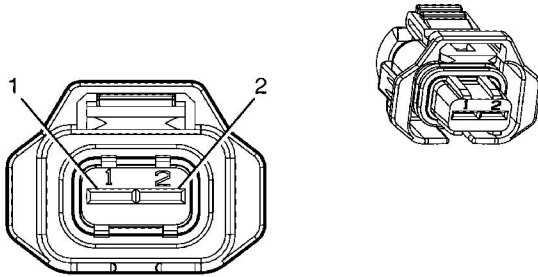
- | Terminal/Tray: See Terminal Repair Kit
- | Core/Insulation Crimp: See Terminal Repair Kit
- | Release Tool/Test Probe: See Terminal Repair Kit

### Internal Mode Switch (IMS)

Pin	Wire Color	Circuit No.	Function
A	0.5 BN	1786	Park/Neutral Signal
B	0.5 GY	776	Transmission Range Switch Signal P
C	0.5 BK	772	Transmission Range Switch Signal B
D	0.5 RD	771	Transmission Range Switch Signal A
E	0.5 D-BU	773	Transmission Range Switch Signal C

F	0.5 D-GN	450	Ground
---	----------	-----	--------

### Knock Sensor (KS) 1 (LY7)



#### Connector Part Information

- | OEM: 7283-6205-30
- | Service: See Catalog
- | Description: 2-Way F (BK)

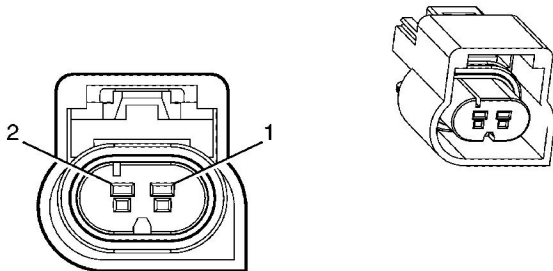
#### Terminal Part Information

- | Terminal/Tray: See Terminal Repair Kit
- | Core/Insulation Crimp: See Terminal Repair Kit
- | Release Tool/Test Probe: See Terminal Repair Kit

### Knock Sensor (KS) 1 (LY7)

Pin	Wire Color	Circuit No.	Function
1	0.5 D-BU	496	Knock Sensor 1 Signal
2	0.5 GY	1716	Low Reference Knock Sensor Signal Return

### Knock Sensor (KS) 1 (L98 or HSV)





### Connector Part Information

- | OEM: 7283-3954
- | Service: See Catalog
- | Description: 2-Way F

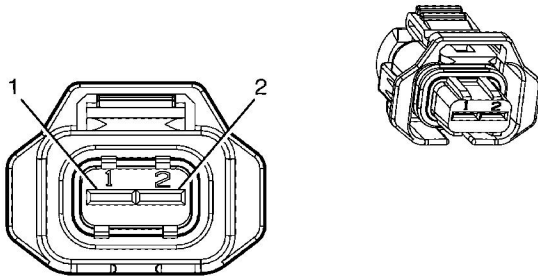
### Terminal Part Information

- | Terminal/Tray: 15326427/5
- | Core/Insulation Crimp: E/A
- | Release Tool/Test Probe: 15315247/J-35616-2A (GY)

### Knock Sensor (KS) 1 (L98 or HSV)

Pin	Wire Color	Circuit No.	Function
1	0.5 D-BU	496	Knock Sensor 1 Signal
2	0.5 GY	1716	Low Reference Knock Sensor Signal Return

### Knock Sensor (KS) 2 (LY7)



### Connector Part Information

- | OEM: 7283-6205-30
- | Service: See Catalog
- | Description: 2-Way F (BK)

### Terminal Part Information

- | Terminal/Tray: See Terminal Repair Kit
- | Core/Insulation Crimp: See Terminal Repair Kit
- | Release Tool/Test Probe: See Terminal Repair Kit

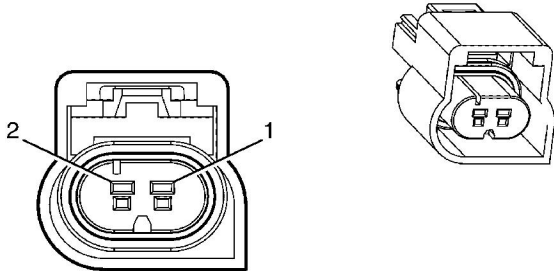
### Knock Sensor (KS) 2 (LY7)

Pin	Wire Color	Circuit No.	Function



1	0.5 L-BU	1876	Knock Sensor 2 Signal
2	0.5 BN	407	Low Reference Knock Sensor Signal Return

### **Knock Sensor (KS) 2 (L98 or HSV)**



#### **Connector Part Information**

- | OEM: 7283-3954
- | Service: See Catalog
- | Description: 2-Way F

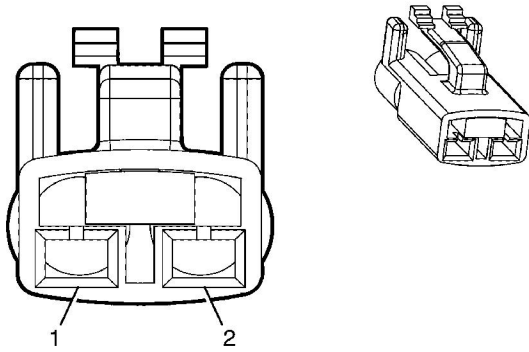
#### **Terminal Part Information**

- | Terminal/Tray: 15326427/5
- | Core/Insulation Crimp: E/A
- | Release Tool/Test Probe: 15315247/J-35616-2A (GY)

### **Knock Sensor (KS) 2 (L98 or HSV)**

Pin	Wire Color	Circuit No.	Function
1	0.5 L-BU	1876	Knock Sensor 2 Signal
2	0.5 TN	407	Low Reference Knock Sensor Signal Return

### **License Lamp - Left**



### Connector Part Information

- | OEM: 1897280-2
- | Service: See Catalog
- | Description: 2-Way F (BK)

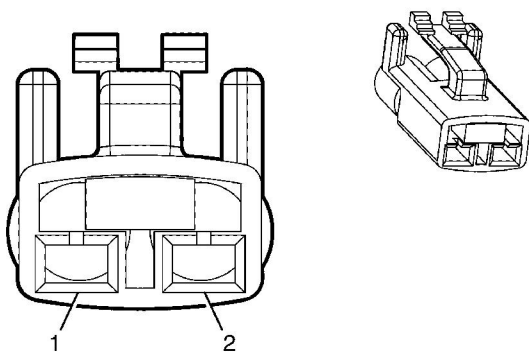
### Terminal Part Information

- | Terminal/Tray: See Terminal Repair Kit
- | Core/Insulation Crimp: See Terminal Repair Kit
- | Release Tool/Test Probe: See Terminal Repair Kit

### License Lamp - Left

Pin	Wire Color	Circuit No.	Function
1	0.5 BN/WH	309	Right Park Lamp Supply Voltage
2	0.5 BK	1350	Ground

### License Lamp - Right



### Connector Part Information

- | OEM: 1897280-2

- | Service: See Catalog
- | Description: 2-Way F (BK)

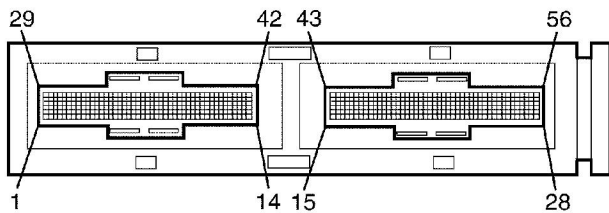
### Terminal Part Information

- | Terminal/Tray: See Terminal Repair Kit
- | Core/Insulation Crimp: See Terminal Repair Kit
- | Release Tool/Test Probe: See Terminal Repair Kit

### License Lamp - Right

Pin	Wire Color	Circuit No.	Function
1	0.5 BN/WH	309	Right Park Lamp Supply Voltage
2	0.5 BK	1350	Ground

### LPG Control Module



### Connector Part Information

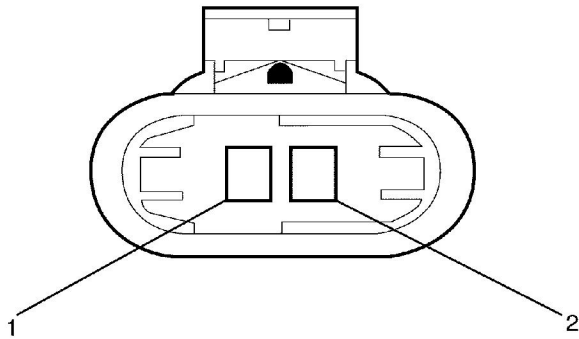
### Terminal Part Information

### LPG Control Module

Pin	Wire Color	Circuit No.	Function
1	0.5 YE	--	Regulator Temperature Signal
2	0.5 BK	--	Sensor Signal Supply +5V
3	0.5 GN	--	Gas Temperature Signal
4-7	--	--	Not Used
8	0.5 GN/WH	--	Power Relay Control
9	0.5 WH	--	Serial Diagnostic Connector
10	--	--	Not Used
11	0.5 GY	--	TACHO Signal
12	0.5 RD	--	Battery Voltage Positive
13	0.5 GN	--	Switch
14	0.5 BK/GN	--	Front Lock-Off Control

15	0.5 BK/BU	--	LPG Injector 1 Control
16	0.5 BK/GN	--	LPG Injector 2 Control
17	0.5 BK/YE	--	LPG Injector 3 Control
18	0.5 BK/RD	--	LPG Injector 4 Control
19	0.5 BK	--	LPG Injector Ground 1
20	0.5 GN	--	Actuator Current Blow By
21	0.5 BK/PU	--	LPG Injector 5 Control
22	0.5 BK/OG	--	LPG Injector 6 Control
23-24	--	--	Not Used
25	0.5 GN	--	Petrol Injector 5 Control
26	0.5 OG	--	Petrol Injector 6 Control
27-29	--	--	Not Used
30	0.5 WH	--	Gas Temperature Signal
31-35	--	--	Not Used
36	0.5 PU/WH	--	Throttle Position Sensor Signal
37-38	--	--	Not Used
39	0.5 BK	--	Battery Ground
40	0.5 GN/WH	--	Petrol Injector Power
41	0.5 BN	--	+12V Key Contact
42	0.5 BK/GN	--	Rear Lock-Off Control
43	0.5 YE/WH	--	Petrol Injector 1 ECU Power Output
44	0.5 YE	--	Petrol Injector 1 Control
45	0.5 BK/WH	--	Petrol Injector 2 ECU Power Output
46	0.5 BK	--	Petrol Injector 2 Control
47	0.5 BK	--	LPG Injector Ground 2
48	0.5 GN	--	Actuator Current Blow By
49	0.5 BN/WH	--	Petrol Injector 3 ECU Power Output
50	0.5 BN	--	Petrol Injector 3 Control
51	0.5 BU/WH	--	Petrol Injector 4 ECU Power Output
52	0.5 BU	--	Petrol Injector 4 Control
53	0.5 GN/WH	--	Petrol Injector 5 ECU Power Output
54	0.5 OG/WH	--	Petrol Injector 5 Control
55-56	--	--	Not Used

## LPG Fuel Injector 1

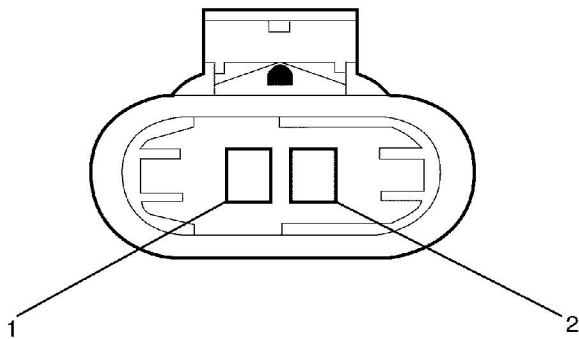


**Connector Part Information**  
**Terminal Part Information**

**LPG Fuel Injector 1**

Pin	Wire Color	Circuit No.	Function
1	0.5 BK/BU	--	LPG Fuel Injector 1 Control
2	0.5 GN	--	Ignition Voltage

**LPG Fuel Injector 2**

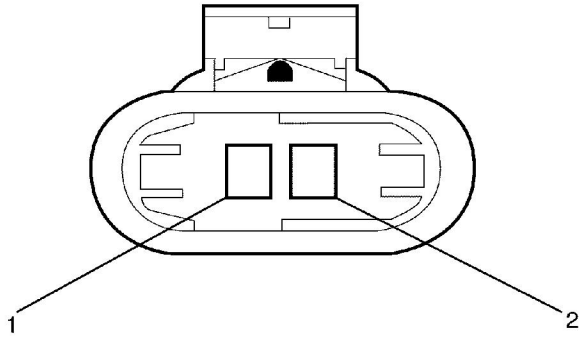


**Connector Part Information**  
**Terminal Part Information**

**LPG Fuel Injector 2**

Pin	Wire Color	Circuit No.	Function
1	0.5 BK/GN	--	LPG Fuel Injector 2 Control
2	0.5 GN	--	Ignition Voltage

**LPG Fuel Injector 3**

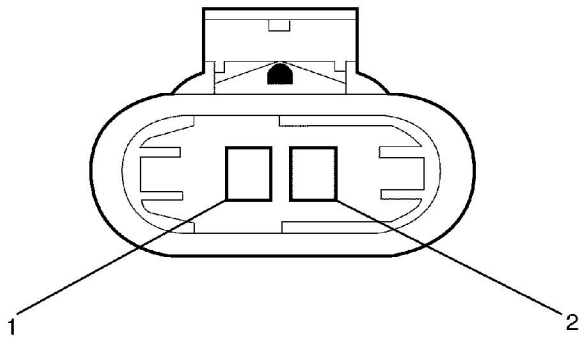


**Connector Part Information**  
**Terminal Part Information**

**LPG Fuel Injector 3**

Pin	Wire Color	Circuit No.	Function
1	0.5 BK/YE	--	LPG Fuel Injector 3 Control
2	0.5 GN	--	Ignition Voltage

**LPG Fuel Injector 4**

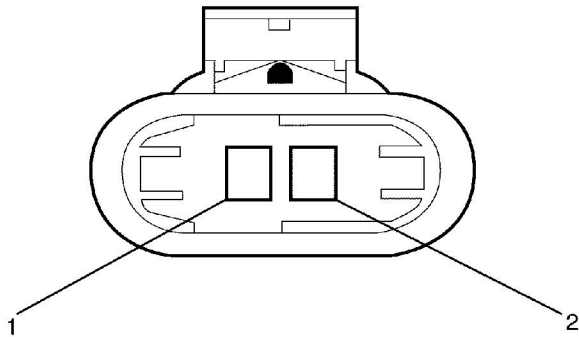


**Connector Part Information**  
**Terminal Part Information**

**LPG Fuel Injector 4**

Pin	Wire Color	Circuit No.	Function
1	0.5 BK/RD	--	LPG Fuel Injector 4 Control
2	0.5 GN	--	Ignition Voltage

### LPG Fuel Injector 5

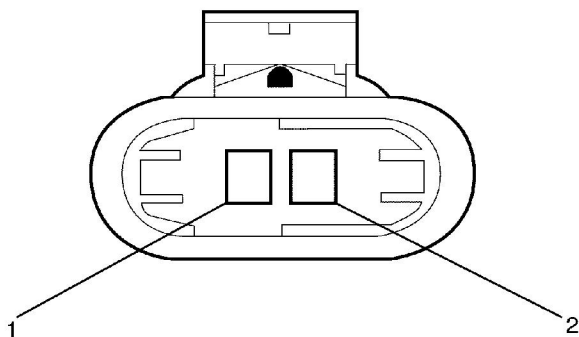


Connector Part Information  
Terminal Part Information

### LPG Fuel Injector 5

Pin	Wire Color	Circuit No.	Function
1	0.5 BK/PU	--	LPG Fuel Injector 5 Control
2	0.5 GN	--	Ignition Voltage

### LPG Fuel Injector 6



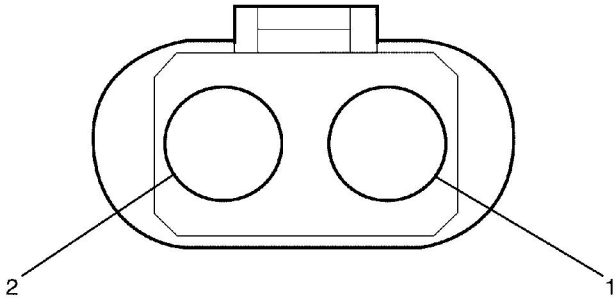
Connector Part Information  
Terminal Part Information

### LPG Fuel Injector 6

Pin	Wire Color	Circuit No.	Function
1	0.5 BK/OG	--	LPG Fuel Injector 6 Control

2	0.5 GN	--	Ignition Voltage
---	--------	----	------------------

### LPG Lock-Off

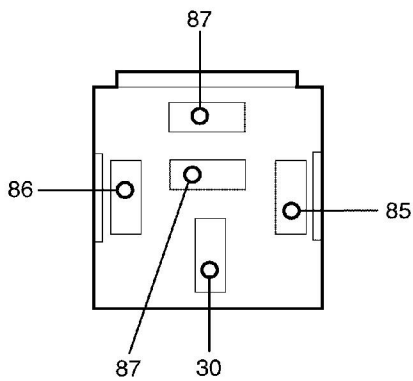


Connector Part Information  
Terminal Part Information

### LPG Lock-Off

Pin	Wire Color	Circuit No.	Function
1	0.5 BK/GN	--	Front Lock-Off Control
2	0.5 GN	--	Ignition Voltage

### LPG Relay



Connector Part Information  
Terminal Part Information

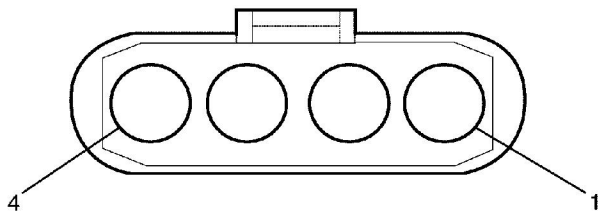
### LPG Relay

--	--	--	--



Pin	Wire Color	Circuit No.	Function
30	0.5 RD	--	Battery Voltage
85	0.5 GN/WH	--	Power Relay Control
86	0.75 RD	--	Battery Voltage
87	0.5 GN	--	Relay Controlled Voltage

### LPG Switch/Fuel Display

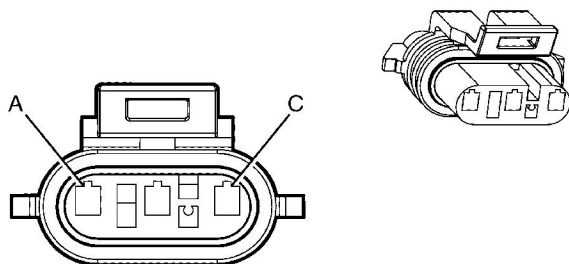


Connector Part Information  
Terminal Part Information

### LPG Switch/Fuel Display

Pin	Wire Color	Circuit No.	Function
1	0.5 RD	--	+5 Voltage Input
2	0.5 BK	--	Ground
3	0.75 GN	--	Switch Signal
4	0.5 WH	--	Fuel Level Input

### Manifold Absolute Pressure (MAP) Sensor (L98)





### Connector Part Information

- | OEM: 7283-7938-30
- | Service: See Catalog
- | Description:

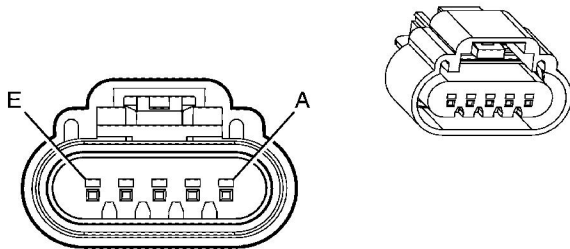
### Terminal Part Information

- | Terminal/Tray: 1928498056/8
- | Core/Insulation Crimp: E/1
- | Release Tool/Test Probe: J-38125-561/J-35616-35 (VT)

### Manifold Absolute Pressure (MAP) Sensor (L98)

Pin	Wire Color	Circuit No.	Function
A	0.5 OG/BK	469	Low Reference
B	0.5 L-GN	432	MAP Sensor Signal
C	0.5 GY	2704	5-Volt Reference

### Mass Air Flow (MAF)/Intake Air Temperature (IAT) Sensor



### Connector Part Information

- | OEM: 7283-6997-30
- | Service: See Catalog
- | Description: 5-Way F (BK)

### Terminal Part Information

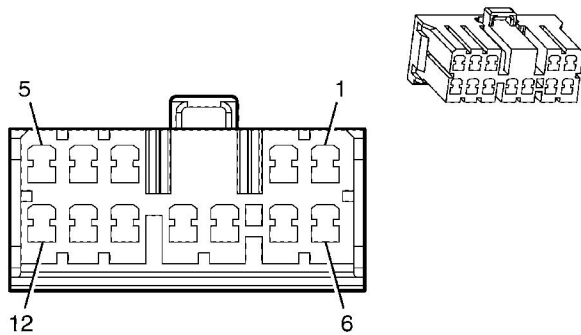
- | Terminal/Tray: 12191819/8
- | Core/Insulation Crimp: E/A
- | Release Tool/Test Probe: 15315247/J-35616-2A (GY)

### Mass Air Flow (MAF)/Intake Air Temperature (IAT) Sensor

--	--	--	--	--	--	--	--	--	--

Pin	Wire Color	Circuit No.	Function
A	0.5 YE	492	MAF Sensor Signal
B	0.5 PK	439	Ignition 1 Voltage
C	0.5 BK	450	Ground
D	0.5 BN/RD	472	IAT Sensor Signal
E	0.5 BN/WH	2760	Low Reference

## Memory Seat Module - Driver X1



### Connector Part Information

- | OEM: 173851-1
- | Service: See Catalog
- | Description: 12-Way F

### Terminal Part Information

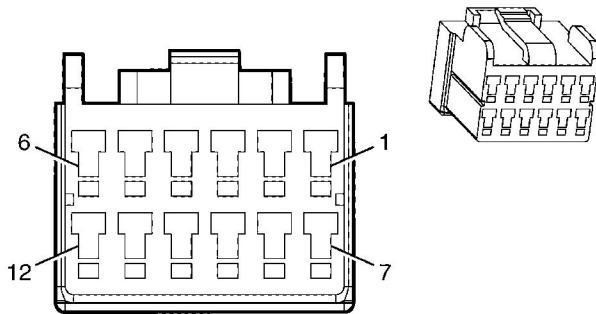
- | Terminal/Tray: See Terminal Repair Kit
- | Core/Insulation Crimp: See Terminal Repair Kit
- | Release Tool/Test Probe: See Terminal Repair Kit

## Memory Seat Module - Driver X1

Pin	Wire Color	Circuit No.	Function
1	--	--	Not Used
2	0.85 GY/RD	285	Driver Seat Horizontal Motor Forward Control
3	0.85 D-BU	283	Driver Seat Rear Vertical Motor Down Control
4	0.85 D-GN/YE	282	Driver Seat Rear Vertical Motor Up Control
5	1.25 RD/BK	4740	Seat Module Supply Voltage
6	--	--	Not Used
7	0.85 BN	286	Driver Seat Front Vertical Motor Up Control
8	0.85 D-BU/RD	287	Driver Seat Front Vertical Motor Down Control
9	0.85 GY	284	Driver Seat Horizontal Motor Rearward Control

10	0.5 BK/OG	1350	Ground
11	1.25 BK	1350	Ground
12	0.3 D-BU/GN	1674	Driver Power Seat Select Switch Signal

## Memory Seat Module - Driver X2



### Connector Part Information

- | OEM: 174045-2
- | Service: See Catalog
- | Description: 12-Way

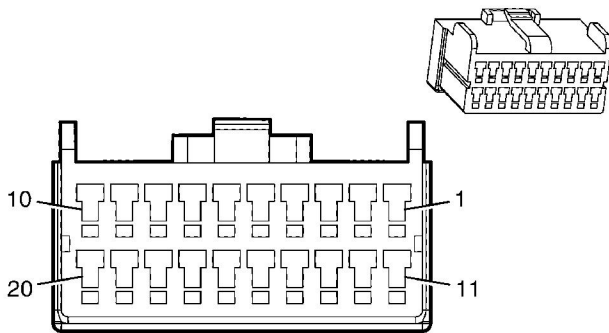
### Terminal Part Information

- | Terminal/Tray: See Terminal Repair Kit
- | Core/Insulation Crimp: See Terminal Repair Kit
- | Release Tool/Test Probe: See Terminal Repair Kit

## Memory Seat Module - Driver X2

Pin	Wire Color	Circuit No.	Function
1	0.3 D-GN/BN	570	Driver Seat Recline Motor Position Sensor Signal
2-5	--	--	Not Used
6	0.85 YE	276	Recline Forward Switch Signal
7-10	--	--	Not Used
11	0.85 PU/GN	277	Recline Rearward Switch Signal
12	0.85 D-GN/RD	767	Driver Seat Lumbar Down Switch Signal

## Memory Seat Module - Driver X3



## Connector Part Information

- | OEM: 175967-2
- | Service: See Catalog
- | Description: 20-Way F

## Terminal Part Information

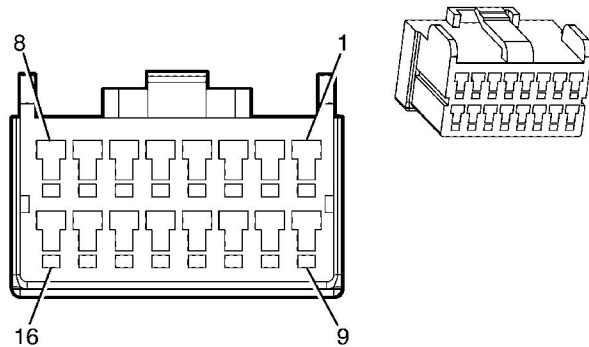
- | Terminal/Tray: See Terminal Repair Kit
- | Core/Insulation Crimp: See Terminal Repair Kit
- | Release Tool/Test Probe: See Terminal Repair Kit

## Memory Seat Module - Driver X3

Pin	Wire Color	Circuit No.	Function
1	0.5 RD/OG	6839	Memory Mirror Voltage
2	0.3 BN/WH	1270	Power Seat Recline Rearward Switch Signal
3	0.3 TN	1522	Power Seat Horizontal Rearward Switch Signal
4	0.3 D-GN/BU	1523	Power Seat Horizontal Forward Switch Signal
5	0.3 BK/BU	1518	Power Seat Front Vertical Up Switch Signal
6	0.3 OG/BN	1064	Driver Seat Lumbar Rearward Switch Signal
7	0.3 RD/WH	1520	Power Seat Front Vertical Down Switch Signal
8	0.3 D-GN/PK	5979	Memory 2 Switch Control Signal
9	0.3 TN/BK	5978	Memory 1 Switch Control Signal
10	0.3 PK/BU	7363	MOD_WK
11	0.3 D-BU/WH	7006	Mirror Control Signal
12	0.3 D-BU/BK	1065	Driver Seat Lumbar Forward Switch Signal
13	0.3 YE/BU	1521	Power Seat Rear Vertical Down Switch Signal
14	0.3 BN/RD	1269	Power Seat Recline Forward Switch Signal
15	--	--	Not Used
16	0.3 PK	1519	Power Seat Rear Vertical Up Switch Signal
17	--	--	Not Used
18	0.3 WH/RD	612	Right Front Adaptive Seat Switch / Mirror Dip Control Signal
19	0.3 YE/RD	782	Memory 3 Switch Control Signal

20	0.3 PU/WH	1061	UART Serial Data
----	-----------	------	------------------

## Memory Seat Module - Driver X4



### Connector Part Information

- | OEM: 175966-2
- | Service: See Catalog
- | Description: 16-Way F

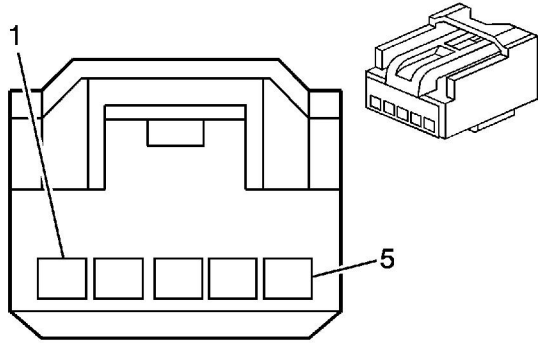
### Terminal Part Information

- | Terminal/Tray: See Terminal Repair Kit
- | Core/Insulation Crimp: See Terminal Repair Kit
- | Release Tool/Test Probe: See Terminal Repair Kit

## Memory Seat Module - Driver X4

Pin	Wire Color	Circuit No.	Function
1-4	--	--	Not Used
5	0.3 WH/GY	569	Horizontal Seat Motor Position Sensor Signal
6	--	--	Not Used
7	0.3 D-GN/PU	2940	Rear Vertical Seat Motor Position Sensor Voltage Reference
8	0.3 D-GN/WH	3040	Front Vertical Seat Motor Position Sensor Voltage Reference
9	0.3 RD/GN	568	Rear Vertical Seat Motor Position Sensor Signal
10	0.3 BN/BU	557	Front Vertical Seat Motor Position Sensor Signal
11-15	--	--	Not Used
16	0.5 BK/GY	2851	Memory Mirror Ground

## Mode Actuator - Left



### Connector Part Information

- | OEM: 7283-5830-30
- | Service: See Catalog
- | Description: 5-Way F Yazaki (BK)

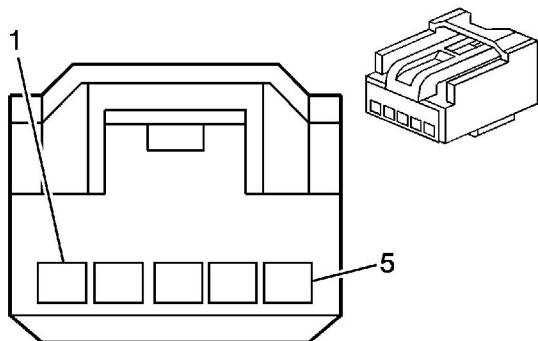
### Terminal Part Information

- | Terminal/Tray: See Terminal Repair Kit
- | Core/Insulation Crimp: See Terminal Repair Kit
- | Release Tool/Test Probe: See Terminal Repair Kit

### Mode Actuator - Left

Pin	Wire Color	Circuit No.	Function
1	0.3 BN	2273	Mode Actuator 1 - Power
2	0.3 BK	119	Mode Actuator 1 - Control
3	0.3 D-BU	1791	Low Reference
4	0.3 GY	2275	Mode Actuator 1 - Feedback
5	0.3 D-GN	474	5-Volt Reference

### Mode Actuator - Right





## Connector Part Information

- | OEM: 7283-5830-30
- | Service: See Catalog
- | Description: 5-Way F Yazaki (BK)

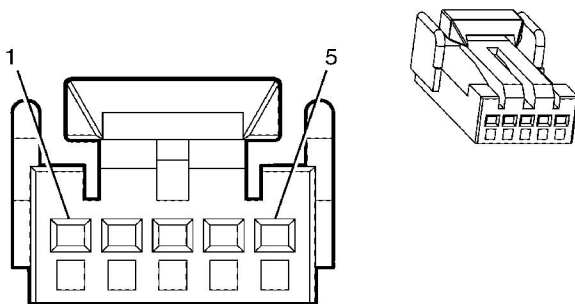
## Terminal Part Information

- | Terminal/Tray: See Terminal Repair Kit
- | Core/Insulation Crimp: See Terminal Repair Kit
- | Release Tool/Test Probe: See Terminal Repair Kit

## Mode Actuator - Right

Pin	Wire Color	Circuit No.	Function
1	0.3 L-GN	2210	Mode Actuator 2 - Power
2	0.3 OG	1791	Mode Actuator 2 - Control
3	0.3 L-BU	720	Low Reference
4	0.3 RD	1899	Mode Actuator 2 - Feedback
5	0.3 PK	1236	5-Volt Reference

## Mode Actuator - Auxiliary (C63)



## Connector Part Information

- | OEM:
- | Service: See Catalog
- | Description: 5-Way F

## Terminal Part Information

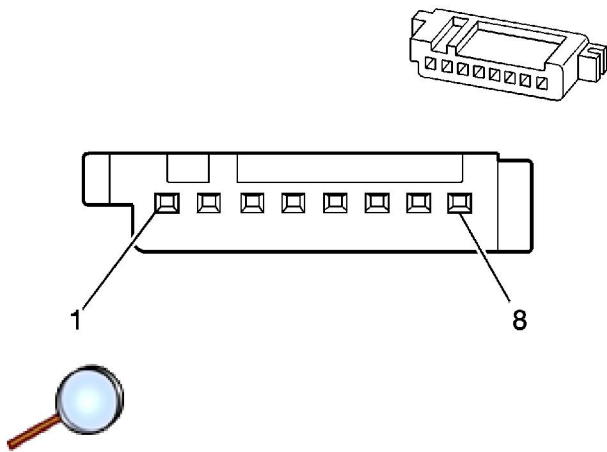
- | Terminal/Tray: See Terminal Repair Kit
- | Core/Insulation Crimp: See Terminal Repair Kit
- | Release Tool/Test Probe: See Terminal Repair Kit



### Mode Actuator - Auxiliary (C63)

Pin	Wire Color	Circuit No.	Function
1	0.3 D-GN/BU	6555	Mode Actuator Rear - Power
2	0.3 D-GN/RD	6556	Mode Actuator Rear - Control
3	0.3 D-GN/YE	645	Low Reference
4	0.3 D-GN/WH	6558	Mode Actuator Rear - Feedback
5	0.3 D-GN/OG	5718	5-Volt Reference

### Multifunction Switch - Center Console



#### Connector Part Information

- | OEM: 7119-1306
- | Service: See Catalog
- | Description: 8-Way F (WH)

#### Terminal Part Information

- | Terminal/Tray: 928999-5/15
- | Core/Insulation Crimp: H/H
- | Release Tool/Test Probe: 12094429/J-35616-64B (L-BU)

### Multifunction Switch - Center Console

Pin	Wire Color	Circuit No.	Function
1	0.3 YE	6817	LED Backlight Dimming Control
2	0.3 BK	850	Ground
3	0.3 L-BU	553	Tow/Haul Switch Signal
4	--	--	Not Used
5	0.3 BN/OG	1571	Traction Control Switch Signal
6	0.3 GY	2555	Object Detection Disable Signal
7	0.3 BN	5852	Instrument Panel Lamp Supply Voltage

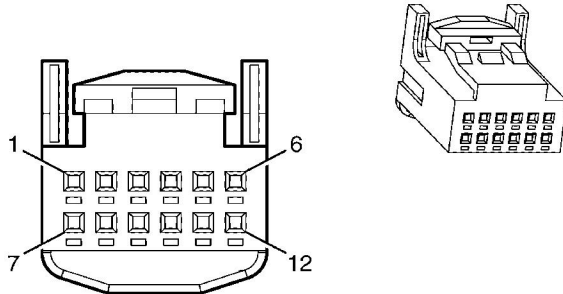
8

0.3 PU/WH

6816

Object Detection Disable Signal

## Navigation Gateway Module (RHD)



### Connector Part Information

- | OEM: 1318774-1
- | Service: See Catalog
- | Description: 12-Way F

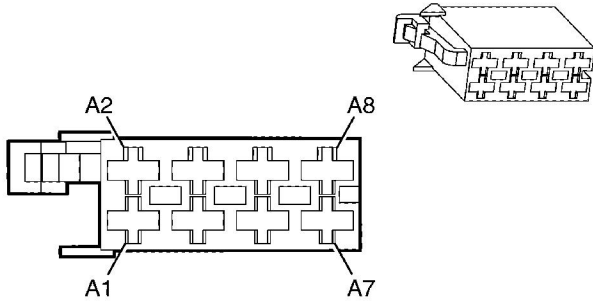
### Terminal Part Information

- | Terminal/Tray: See Terminal Repair Kit
- | Core/Insulation Crimp: See Terminal Repair Kit
- | Release Tool/Test Probe: See Terminal Repair Kit

## Navigation Gateway Module (RHD)

Pin	Wire Color	Circuit No.	Function
1	0.3 BN	1171	Navigation Display Serial Data High
2	0.3 OG	2354	Navigation Display Serial Data High
3	0.85 OG	5748	Mute Signal
4	--	--	Not Used
5	0.5 L-GN	5060	Low Speed GMLAN Serial Data
6	0.85 OG/WH	2340	Battery Positive Voltage
7	0.3 YE	1219	Navigation Display Serial Data Low
8	0.3 YE	1491	Backlight Lamps Control
9-11	--	--	Not Used
12	0.5 BK/WH	1050	Ground

## Navigation Module X1 (RHD)



### Connector Part Information

- | OEM: 962189-1
- | Service: See Catalog
- | Description: 8-Way F (GY)

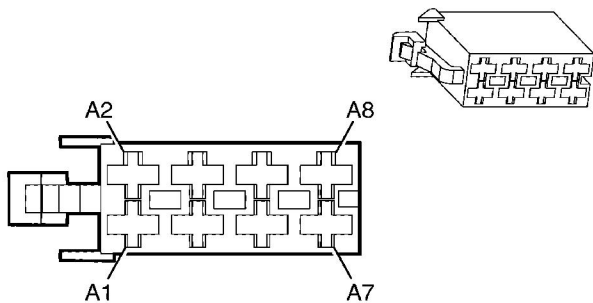
### Terminal Part Information

- | Terminal/Tray: See Terminal Repair Kit
- | Core/Insulation Crimp: See Terminal Repair Kit
- | Release Tool/Test Probe: See Terminal Repair Kit

### Navigation Module X1 (RHD)

Pin	Wire Color	Circuit No.	Function
A1-A3	--	--	Not Used
A4	0.85 OG/WH	2340	Battery Positive Voltage
A5	--	--	Not Used
A6	0.3 YE	1491	Backlight Lamps Control
A7	0.3 OG	2354	Navigation Control Signal
A8	0.85 BK/WH	1050	Ground

### Navigation Module X2 (RHD)





### Connector Part Information

- | OEM: 962191-1
- | Service: See Catalog
- | Description: 8-Way F (TN)

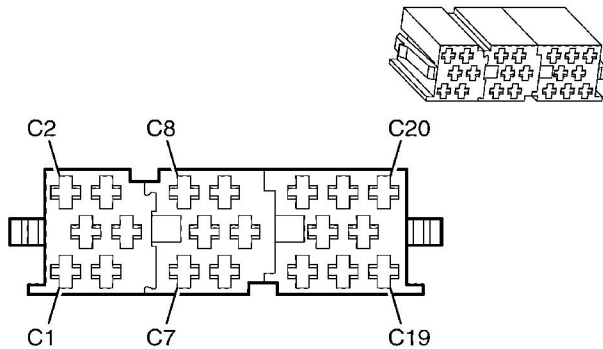
### Terminal Part Information

- | Terminal/Tray: See Terminal Repair Kit
- | Core/Insulation Crimp: See Terminal Repair Kit
- | Release Tool/Test Probe: See Terminal Repair Kit

### Navigation Module X2 (RHD)

Pin	Wire Color	Circuit No.	Function
A1-A4	--	--	Not Used
A5	0.3 PK/BK	2062	Navigation Mono Audio Signal (+)
A6	0.3 OG/BK	2061	Navigation Mono Audio Signal (-)
A7-A8	--	--	Not Used

### Navigation Module X3 (RHD)



### Connector Part Information

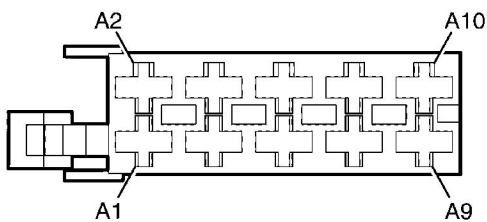
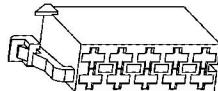
- | OEM: 30220317
- | Service: See Catalog
- | Description: 20-Way F

### Terminal Part Information

- | Terminal/Tray: See Terminal Repair Kit
- | Core/Insulation Crimp: See Terminal Repair Kit
- | Release Tool/Test Probe: See Terminal Repair Kit

**Navigation Module X3 (RHD)**

Pin	Wire Color	Circuit No.	Function
C1-C6	--	--	Not Used
C7	0.3 BN	1171	Navigation Display Serial Data High
C8	0.3 YE	1219	Navigation Display Serial Data Low
C9-C20	--	--	Not Used

**Navigation Module X4 (RHD)****Connector Part Information**

- | OEM: 962190-1
- | Service: See Catalog
- | Description: 10-Way F (BK)

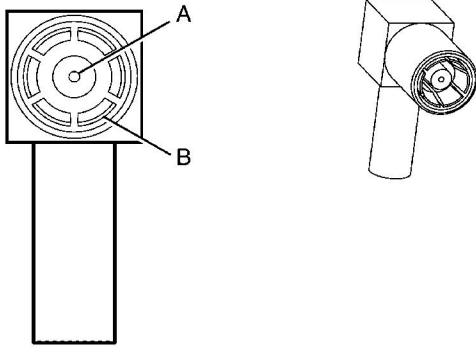
**Terminal Part Information**

- | Terminal/Tray: See Terminal Repair Kit
- | Core/Insulation Crimp: See Terminal Repair Kit
- | Release Tool/Test Probe: See Terminal Repair Kit

**Navigation Module X4 (RHD)**

Pin	Wire Color	Circuit No.	Function
A1-A3	--	--	Not Used
A4	0.85 OG	5748	Mute Signal
A5-A10	--	--	Not Used

**Navigation Module X5 (RHD)**



### Connector Part Information

- | OEM:
- | Service: See Catalog
- | Description: 2-Way

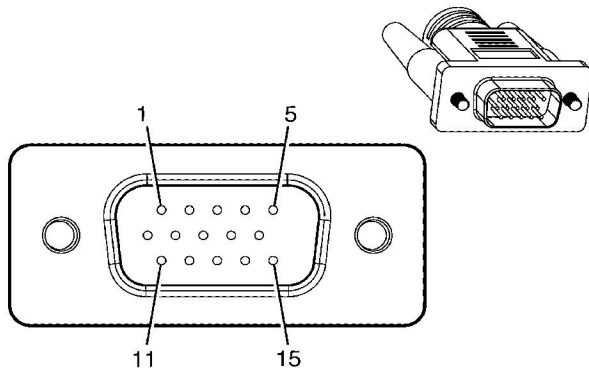
### Terminal Part Information

- | Terminal/Tray: See Terminal Repair Kit
- | Core/Insulation Crimp: See Terminal Repair Kit
- | Release Tool/Test Probe: See Terminal Repair Kit

### Navigation Module X5 (RHD)

Pin	Wire Color	Circuit No.	Function
A	0.5 OG	5174	Antenna Signal
B	0.5 GY	5175	Drain Wire

### Navigation Module X6 (RHD)



### Connector Part Information

- | OEM: 06031501440

- | Service: See Catalog
- | Description: 15-Way

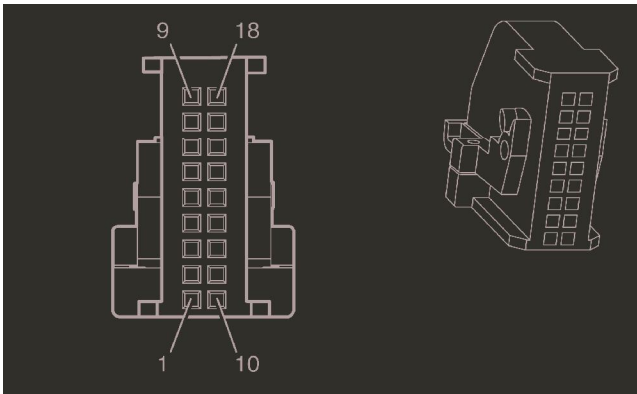
### Terminal Part Information

- | Terminal/Tray: See Terminal Repair Kit
- | Core/Insulation Crimp: See Terminal Repair Kit
- | Release Tool/Test Probe: See Terminal Repair Kit

### Navigation Module X6 (RHD)

Pin	Wire Color	Circuit No.	Function
1	0.3 RD	2047	Video Connector - R
2	0.3 D-GN	2048	Video Connector - G
3	0.3 WH	2049	Video Connector - B
4	0.3 BK	5231	Ground
5	0.3 YE	2045	Video Connector - Sync
6	0.3 BK	5346	Drain Wire

### Navigation Module X7 (RHD)



### Connector Part Information

- | OEM: 7219-1198-30
- | Service: See Catalog
- | Description:

### Terminal Part Information

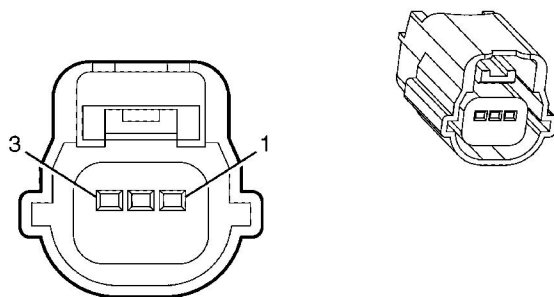
- | Terminal/Tray: See Terminal Repair Kit
- | Core/Insulation Crimp: See Terminal Repair Kit
- | Release Tool/Test Probe: See Terminal Repair Kit

### Navigation Module X7 (RHD)

Pin	Wire Color	Circuit No.	Function
1	0.3 WH		Video Connector - B

2	--	--	Not Used
3	0.3 RD	2047	Video Connector - R
4-9	--	--	Not Used
10	0.3 BK	5231	Ground
11	0.3 D-GN	2048	Video Connector - G
12	--	--	Not Used
13	0.3 YE	2045	Video Connector - Sync
14-18	--	--	Not Used

## Object Alarm Sensor - Left Front Corner



### Connector Part Information

- | OEM: 31404-3710
- | Service: See Catalog
- | Description: 3-Way F

### Terminal Part Information

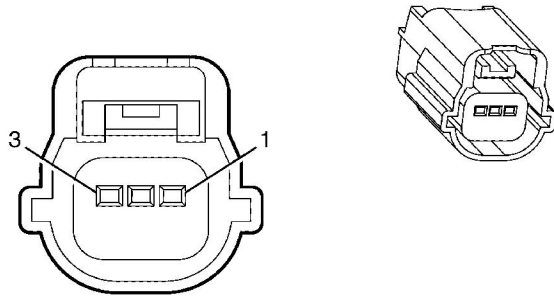
- | Terminal/Tray: See Terminal Repair Kit
- | Core/Insulation Crimp: See Terminal Repair Kit
- | Release Tool/Test Probe: See Terminal Repair Kit

## Object Alarm Sensor - Left Front Corner

Pin	Wire Color	Circuit No.	Function
1	0.3 BN	6581	Object Sensor Supply Voltage
2	0.3 OG/BK	5214	Object Sensor Low Reference
3	0.3 PU/WH	5215	LF Corner Object Sensor Signal

## Object Alarm Sensor - Left Front Middle





### Connector Part Information

- | OEM: 31404-3710
- | Service: See Catalog
- | Description: 3-Way F

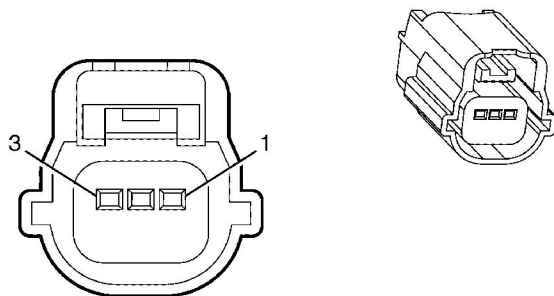
### Terminal Part Information

- | Terminal/Tray: See Terminal Repair Kit
- | Core/Insulation Crimp: See Terminal Repair Kit
- | Release Tool/Test Probe: See Terminal Repair Kit

### Object Alarm Sensor - Left Front Middle

Pin	Wire Color	Circuit No.	Function
1	0.3 BN	6581	Object Sensor Supply Voltage
2	0.3 OG/BK	5214	Object Sensor Low Reference
3	0.3 WH	5216	LF Middle Object Sensor Signal

### Object Alarm Sensor - Left Rear Corner



### Connector Part Information

- | OEM: 31404-3710
- | Service: See Catalog
- | Description: 3-Way F

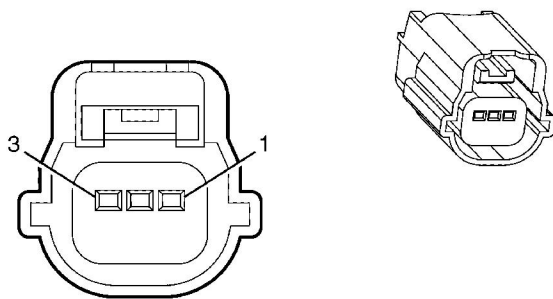
### Terminal Part Information

- | Terminal/Tray: See Terminal Repair Kit
- | Core/Insulation Crimp: See Terminal Repair Kit
- | Release Tool/Test Probe: See Terminal Repair Kit

### Object Alarm Sensor - Left Rear Corner

Pin	Wire Color	Circuit No.	Function
1	0.3 D-BU	2374	Object Sensor Supply Voltage
2	0.3 GY	2379	Object Sensor Low Reference
3	0.3 YE	2375	LR Corner Object Sensor Signal

### Object Alarm Sensor - Left Rear Middle



### Connector Part Information

- | OEM: 31404-3710
- | Service: See Catalog
- | Description: 3-Way F

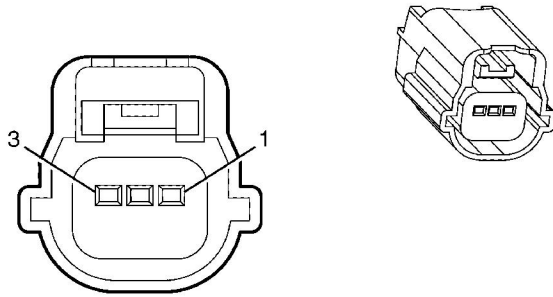
### Terminal Part Information

- | Terminal/Tray: See Terminal Repair Kit
- | Core/Insulation Crimp: See Terminal Repair Kit
- | Release Tool/Test Probe: See Terminal Repair Kit

### Object Alarm Sensor - Left Rear Middle

Pin	Wire Color	Circuit No.	Function
1	0.3 D-BU	2374	Object Sensor Supply Voltage
2	0.3 GY	2379	Object Sensor Low Reference
3	0.3 OG	2376	LR Middle Object Sensor Signal

## Object Alarm Sensor - Right Front Corner



### Connector Part Information

- | OEM: 31404-3710
- | Service: See Catalog
- | Description: 3-Way F

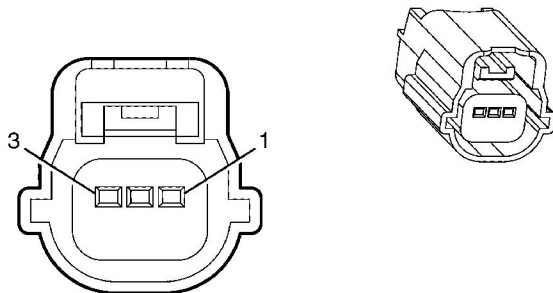
### Terminal Part Information

- | Terminal/Tray: See Terminal Repair Kit
- | Core/Insulation Crimp: See Terminal Repair Kit
- | Release Tool/Test Probe: See Terminal Repair Kit

## Object Alarm Sensor - Right Front Corner

Pin	Wire Color	Circuit No.	Function
1	0.3 BN	6581	Object Sensor Supply Voltage
2	0.3 OG/BK	5214	Object Sensor Low Reference
3	0.3 BN/WH	5217	RF Corner Object Sensor Signal

## Object Alarm Sensor - Right Front Middle





### Connector Part Information

- | OEM: 31404-3710
- | Service: See Catalog
- | Description: 3-Way F

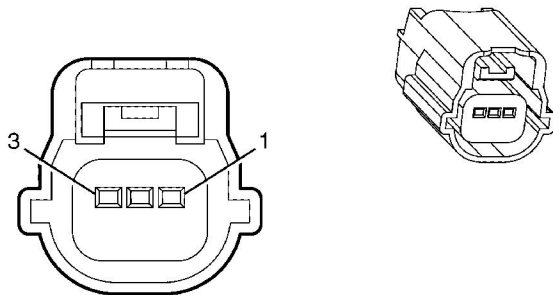
### Terminal Part Information

- | Terminal/Tray: See Terminal Repair Kit
- | Core/Insulation Crimp: See Terminal Repair Kit
- | Release Tool/Test Probe: See Terminal Repair Kit

### Object Alarm Sensor - Right Front Middle

Pin	Wire Color	Circuit No.	Function
1	0.3 BN	6581	Object Sensor Supply Voltage
2	0.3 OG/BK	5214	Object Sensor Low Reference
3	0.3 PU/BK	5218	RF Middle Object Sensor Signal

### Object Alarm Sensor - Right Rear Corner



### Connector Part Information

- | OEM: 31404-3710
- | Service: See Catalog
- | Description: 3-Way F

### Terminal Part Information

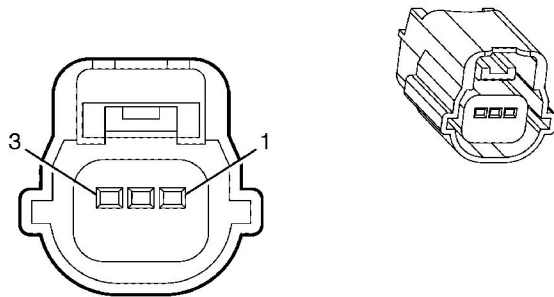
- | Terminal/Tray: See Terminal Repair Kit
- | Core/Insulation Crimp: See Terminal Repair Kit
- | Release Tool/Test Probe: See Terminal Repair Kit

### Object Alarm Sensor - Right Rear Corner

--	--	--	--

Pin	Wire Color	Circuit No.	Function
1	0.3 D-BU	2374	Object Sensor Supply Voltage
2	0.3 GY	2379	Object Sensor Low Reference
3	0.3 PU	2378	RR Corner Object Sensor Signal

## Object Alarm Sensor - Right Rear Middle



### Connector Part Information

- | OEM: 31404-3710
- | Service: See Catalog
- | Description: 3-Way F

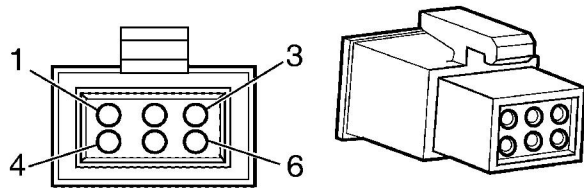
### Terminal Part Information

- | Terminal/Tray: See Terminal Repair Kit
- | Core/Insulation Crimp: See Terminal Repair Kit
- | Release Tool/Test Probe: See Terminal Repair Kit

## Object Alarm Sensor - Right Rear Middle

Pin	Wire Color	Circuit No.	Function
1	0.3 D-BU	2374	Object Sensor Supply Voltage
2	0.3 GY	2379	Object Sensor Low Reference
3	0.3 D-GN	2377	RR Middle Object Sensor Signal

## Oil Pressure Gauge



### Connector Part Information

- | OEM:
- | Service: See Catalog
- | Description: 6-Way F

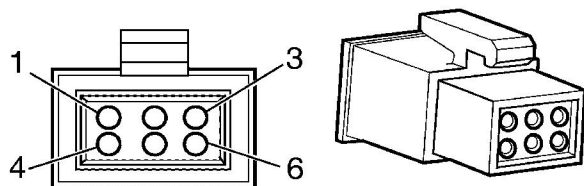
### Terminal Part Information

- | Terminal/Tray: See Terminal Repair Kit
- | Core/Insulation Crimp: See Terminal Repair Kit
- | Release Tool/Test Probe: See Terminal Repair Kit

### Oil Pressure Gauge

Pin	Wire Color	Circuit No.	Function
1	0.3 YE		Low Speed GMLAN Serial Data
2	0.3 D-BU		Ground
3	0.3 D-BU/RD		Battery Positive Voltage
4	0.3 YE		Low Speed GMLAN Serial Data
5	0.3 D-BU		Ground
6	0.3 D-BU/RD		Battery Positive Voltage

### Oil Temperature Gauge





### Connector Part Information

- | OEM:
- | Service: See Catalog
- | Description: 6-Way F

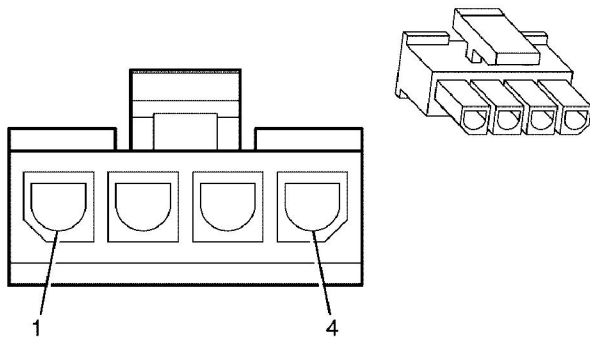
### Terminal Part Information

- | Terminal/Tray: See Terminal Repair Kit
- | Core/Insulation Crimp: See Terminal Repair Kit
- | Release Tool/Test Probe: See Terminal Repair Kit

### Oil Temperature Gauge

Pin	Wire Color	Circuit No.	Function
1	0.3 YE		Low Speed GMLAN Serial Data
2	0.3 D-BU		Ground
3	0.3 D-BU/RD		Battery Positive Voltage
4	0.3 YE		Low Speed GMLAN Serial Data
5	0.3 D-BU		Ground
6	0.3 D-BU		Battery Positive Voltage

### Outside Moisture Sensor



### Connector Part Information

- | OEM:
- | Service: See Catalog
- | Description: 4-Way

### Terminal Part Information

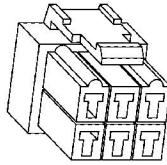
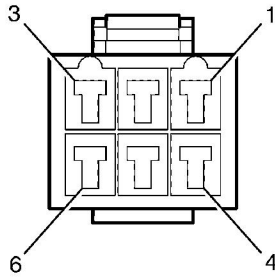
- | Terminal/Tray: See Terminal Repair Kit
- | Core/Insulation Crimp: See Terminal Repair Kit

| Release Tool/Test Probe: See Terminal Repair Kit

### Outside Moisture Sensor

Pin	Wire Color	Circuit No.	Function
1	0.3 L-GN		Outside Moisture Sensor Signal 2
2	0.3 BN		Outside Moisture Sensor Signal 1
3	0.5 BK/WH		Ground
4	0.5 BN		Ignition Voltage 1

### Outside Rearview Mirror - Driver



#### Connector Part Information

- | OEM: 7183-9618
- | Service: See Catalog
- | Description: 6-Way F (WH)

#### Terminal Part Information

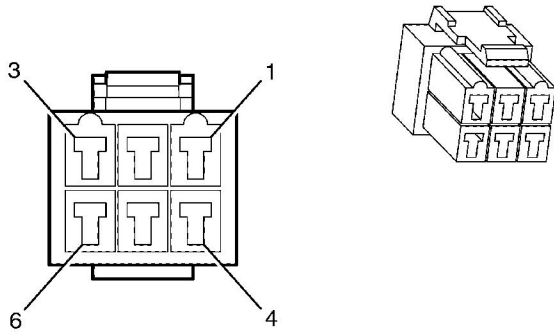
- | Terminal/Tray: See Terminal Repair Kit
- | Core/Insulation Crimp: See Terminal Repair Kit
- | Release Tool/Test Probe: See Terminal Repair Kit

### Outside Rearview Mirror - Driver

Pin	Wire Color	Circuit No.	Function
1	0.5 WH	7391	Power Window Switch Right and Up
2	0.5 WH/BK	81	Driver Mirror Motor Right Control
3	0.5 BN	5998	Puddle Lamp Supply Voltage
4	0.5 L-GN/BK	89	Driver Mirror Motor Down Control
5	--	--	Not Used
6	0.5 BK	2050	Ground

### Outside Rearview Mirror - Passenger





### Connector Part Information

- | OEM: 7183-9618
- | Service: See Catalog
- | Description: 6-Way F (WH)

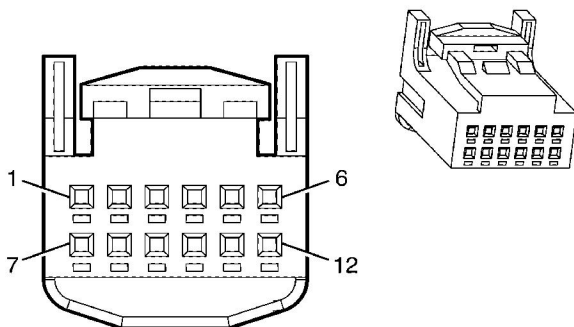
### Terminal Part Information

- | Terminal/Tray: See Terminal Repair Kit
- | Core/Insulation Crimp: See Terminal Repair Kit
- | Release Tool/Test Probe: See Terminal Repair Kit

### Outside Rearview Mirror - Passenger

Pin	Wire Color	Circuit No.	Function
1	0.5 WH/BU	7391	Power Window Switch Right and Up
2	0.5 OG/WH	881	Passenger Mirror Motor Right Control
3	0.5 BN	5998	Puddle Lamp Supply Voltage
4	0.5 PU/WH	889	Passenger Mirror Motor Down Control
5	--	--	Not Used
6	0.5 BK	1350	Ground

### Outside Rearview Mirror Switch





### Connector Part Information

- | OEM:
- | Service: See Catalog
- | Description: 12-Way F

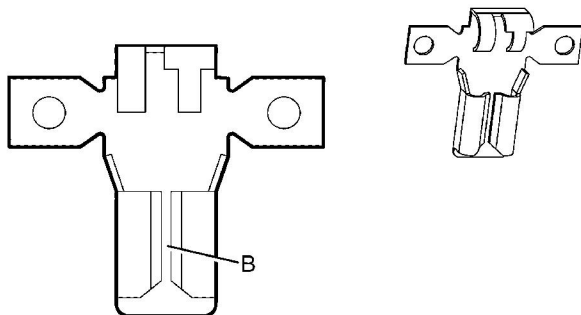
### Terminal Part Information

- | Terminal/Tray: See Terminal Repair Kit
- | Core/Insulation Crimp: See Terminal Repair Kit
- | Release Tool/Test Probe: See Terminal Repair Kit

### Outside Rearview Mirror Switch

Pin	Wire Color	Circuit No.	Function
1	0.3 YE/GN	7006	Mirror Control Signal
2	--	--	Not Used
3	0.5 WH	1514	Left Mirror Switch Down Signal
4	0.5 D-BU	1513	Right Mirror Switch Right Signal
5	0.5 RD	5477	Switch Voltage
6	0.5 BK	5478	Ground
7	0.5 OG	1512	Left Mirror Switch Right Signal
8	0.3 YE	5636	Left/Right Mirror Selector Switch Signal
9	0.5 D-GN	1515	Right Mirror Switch Down Signal
10	0.5 BK/GN	2851	Memory Mirror Ground
11	--	--	Not Used
12	0.5 RD/BU	6839	Memory Mirror Voltage

### Park Brake Switch



### Connector Part Information

- | OEM: 175193-1
- | Service: See Catalog
- | Description: 2-Way F (SR)

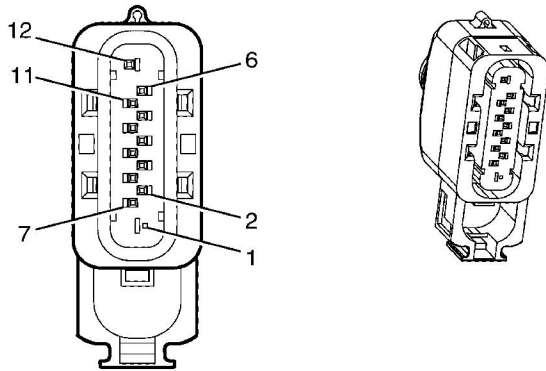
### Terminal Part Information

- | Terminal/Tray: See Terminal Repair Kit
- | Core/Insulation Crimp: See Terminal Repair Kit
- | Release Tool/Test Probe: See Terminal Repair Kit

### Park Brake Switch

Pin	Wire Color	Circuit No.	Function
B	0.85 OG/BK	233	Park Brake Switch Signal

### Park/Neutral Position (PNP) Switch (M30 or M32)



### Connector Part Information

- | OEM: 15416722
- | Service: See Catalog
- | Description: 12-Way F

### Terminal Part Information

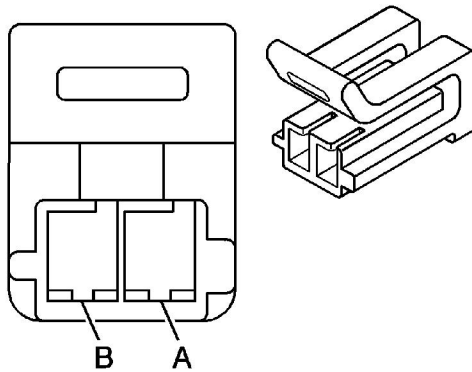
- | Terminal/Tray: See Terminal Repair Kit
- | Core/Insulation Crimp: See Terminal Repair Kit
- | Release Tool/Test Probe: See Terminal Repair Kit

### Park/Neutral Position (PNP) Switch (M30 or M32)

Pin	Wire Color	Circuit No.	Function
1-2	--	--	Not Used
3	0.5 OG/BK	1786	Park/Neutral Signal
4	0.5 YE	772	Transmission Range Switch Signal B
5	0.5 BN/YE	771	Transmission Range Switch Signal A
6	0.5 GY	773	Transmission Range Switch Signal C

7	0.75 BK	450	Ground
8	0.5 WH	776	Transmission Range Switch Signal P
9-12	--	--	Not Used

## Pressure Control (PC) Solenoid Valve



### Connector Part Information

- | OEM: 12146094
- | Service: See Catalog
- | Description: 2-Way F Metri-Pack 150.2 Series, Sealed, Pull To Seat (GY)

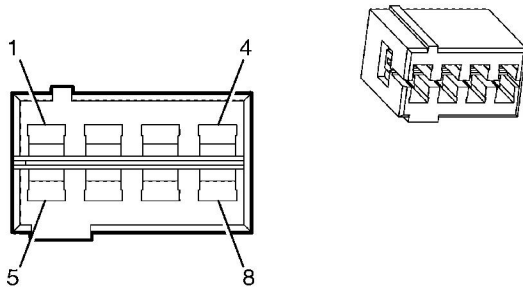
### Terminal Part Information

- | Terminal/Tray: See Terminal Repair Kit
- | Core/Insulation Crimp: See Terminal Repair Kit
- | Release Tool/Test Probe: See Terminal Repair Kit

## Pressure Control (PC) Solenoid Valve

Pin	Wire Color	Circuit No.	Function
A	0.5 D-GN	1228	PC Solenoid Valve High Control
B	0.5 WH	1229	PC Solenoid Valve Low Control

## Radio X1



## Connector Part Information

- | OEM: 7183-2325-30
- | Service: See Catalog
- | Description: 8-Way F (BK)

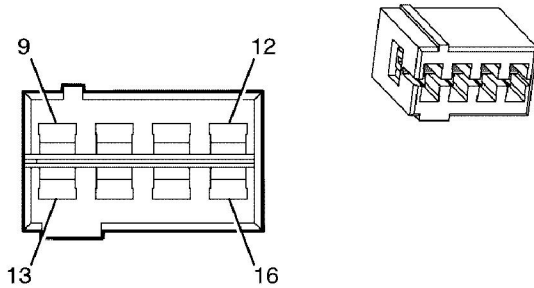
## Terminal Part Information

- | Terminal/Tray: See Terminal Repair Kit
- | Core/Insulation Crimp: See Terminal Repair Kit
- | Release Tool/Test Probe: See Terminal Repair Kit

## Radio X1

Pin	Wire Color	Circuit No.	Function
1	0.5 L-BU	115	Right Rear Speaker Output (-) (U65 or UW5)
	0.5 BN/BU	1946	Right Rear Speaker Output (-) (UQ7)
2	0.5 D-GN	117	Right Front Speaker Output (-) (U65 or UW5)
	0.5 L-GN	1948	Right Front Speaker Output (-) (UQ7)
3	0.5 GY	118	Left Front Speaker Output (-) (U65 or UW5)
	0.5 D-GN	1947	Left Front Speaker Output (-) (UQ7)
4	0.5 YE/RD	116	Left Rear Speaker Output (-) (U65 or UW5)
	0.5 BN	1999	Left Rear Speaker Output (-) (UQ7)
5	0.5 D-BU	46	Right Rear Speaker Output (+) (U65 or UW5)
	0.5 D-BU	546	Right Rear Speaker Output (+) (UQ7)
6	0.5 L-GN	200	Right Front Speaker Output (+) (U65 or UW5)
	0.5 L-GN/WH	512	Right Front Speaker Output (+) (UQ7)
7	0.5 BN	201	Left Front Speaker Output (+) (U65 or UW5)
	0.5 BN/OG	511	Left Front Speaker Output (+) (UQ7)
8	0.5 BN	199	Left Rear Speaker Output (+) (U65 or UW5)
	0.5 BN/WH	599	Left Rear Speaker Output (+) (UQ7)

## Radio X2



### Connector Part Information

- | OEM: 7283-8776-30
- | Service: See Catalog
- | Description: 8-Way F (BK)

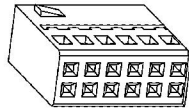
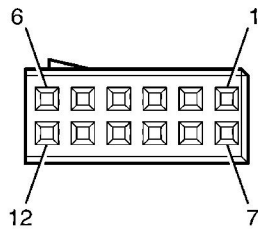
### Terminal Part Information

- | Terminal/Tray: See Terminal Repair Kit
- | Core/Insulation Crimp: See Terminal Repair Kit
- | Release Tool/Test Probe: See Terminal Repair Kit

### Radio X2

Pin	Wire Color	Circuit No.	Function
9	0.5 L-BU	1860	Front Center Speaker Output (+)
10	0.85 OG/BU	4340	Battery Positive Voltage (RHD)
	0.85 RD/WH	4340	Battery Positive Voltage (LHD)
11	--	--	Not Used
12	1.25 BK	1050	Ground
13	0.5 OG	1860	Front Center Speaker Output (+)
14	0.85 OG/BU	4340	Battery Positive Voltage (RHD)
	0.85 RD/WH	4340	Battery Positive Voltage (LHD)
15	--	--	Not Used
16	1.25 BK	1050	Ground

### Radio X3



## Connector Part Information

- | OEM: 7119-1013-30
- | Service: See Catalog
- | Description: 12-Way F (BK)

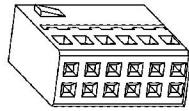
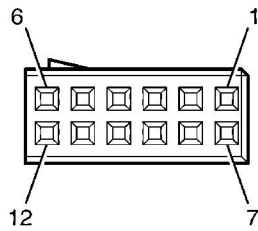
## Terminal Part Information

- | Terminal/Tray: See Terminal Repair Kit
- | Core/Insulation Crimp: See Terminal Repair Kit
- | Release Tool/Test Probe: See Terminal Repair Kit

## Radio X3

Pin	Wire Color	Circuit No.	Function
1	--	--	Not Used
2	0.3 D-BU/WH	7001	Common Auxiliary Audio Signal (-) (UQ7)
3	0.3 RD	5839	Auxiliary Audio Left Signal (+) (UQ7)
4	0.3 OG/BK	2061	Navigation Mono Audio Signal (-)
5	0.3 PK	367	Left Audio Signal (+)
6	0.3 D-GN/WH	1547	Common Audio Signal (-)
7-8	--	--	Not Used
9	0.3 D-GN	5841	Auxiliary Audio Right Signal (+) (UQ7)
10	0.3 PK/BK	2062	Navigation Mono Audio Signal (+)
11	0.3 D-BU	368	Right Audio Signal (+)
12	--	--	Not Used

## Radio X4



## Connector Part Information

- | OEM: 7119-1013-30
- | Service: See Catalog
- | Description: 12-Way F (BK)

## Terminal Part Information

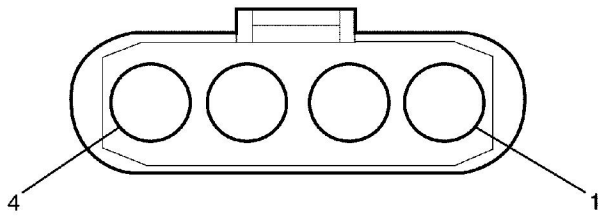
- | Terminal/Tray: See Terminal Repair Kit
- | Core/Insulation Crimp: See Terminal Repair Kit
- | Release Tool/Test Probe: See Terminal Repair Kit

## Radio X4

Pin	Wire Color	Circuit No.	Function
1	0.3 L-BU	659	Telephone Audio Signal (-)
2-3	--	--	Not Used
4	0.85 OG/BU	1573	Battery Positive Voltage (RHD)
	0.85 RD/WH	1573	Battery Positive Voltage (LHD)
5	0.3 WH	700	Telephone Audio Signal Mute
6	0.35 D-GN	5060	Low Speed GMLAN Serial Data
7	0.3 OG/BK	658	Telephone Audio Signal (+)
8-9	--	--	Not Used
10	0.5 OG	6978	Amplifier Mute Control (UQ7)
11	0.5 WH	7066	Amplifier Enable Signal (UQ7)
12	--	--	Not Used

## Rail Pressure/Temperature Sensor (LPG)





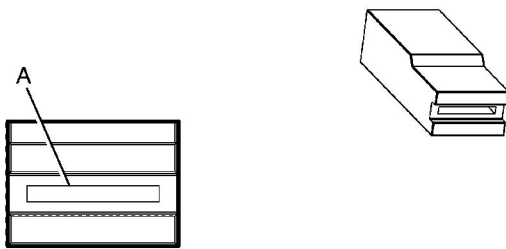
**Connector Part Information**

**Terminal Part Information**

**Rail Pressure/Temperature Sensor (LPG)**

Pin	Wire Color	Circuit No.	Function
1	0.5 BK	--	Ground
2	0.5 GN	--	Relay Controlled Voltage
3	0.75 RD	--	+5 Voltage Input
4	0.5 WH	--	Gas Temperature Signal

**Rear Compartment Courtesy Lamp X1**



**Connector Part Information**

- | OEM: 7123-0073-30
- | Service: See Catalog
- | Description: 1-Way F (BK)

**Terminal Part Information**

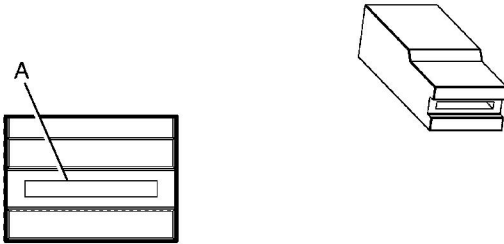
- | Terminal/Tray: See Terminal Repair Kit

- | Core/Insulation Crimp: See Terminal Repair Kit
- | Release Tool/Test Probe: See Terminal Repair Kit

### Rear Compartment Courtesy Lamp X1

Pin	Wire Color	Circuit No.	Function
A	0.85 OG	1732	Courtesy Lamps Supply Voltage

### Rear Compartment Courtesy Lamp X2



#### Connector Part Information

- | OEM: 7123-0073-30
- | Service: See Catalog
- | Description: 1-Way F (BK)

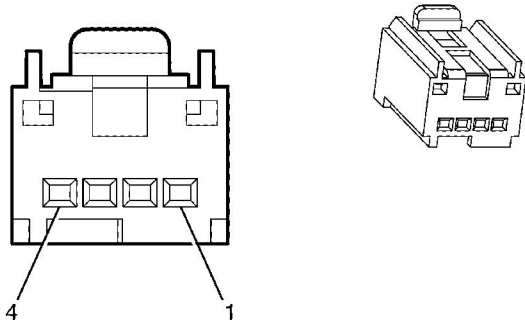
#### Terminal Part Information

- | Terminal/Tray: See Terminal Repair Kit
- | Core/Insulation Crimp: See Terminal Repair Kit
- | Release Tool/Test Probe: See Terminal Repair Kit

### Rear Compartment Courtesy Lamp X2

Pin	Wire Color	Circuit No.	Function
A	0.5 D-BU	737	Rear Compartment Lamp Control

### Rear Compartment Lid Latch



### Connector Part Information

- | OEM: 7283-9909-30
- | Service: See Catalog
- | Description: 4-Way F (BK)

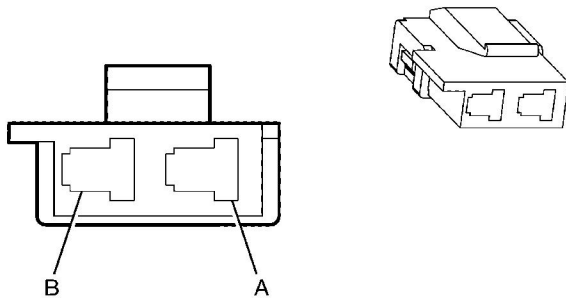
### Terminal Part Information

- | Terminal/Tray: See Terminal Repair Kit
- | Core/Insulation Crimp: See Terminal Repair Kit
- | Release Tool/Test Probe: See Terminal Repair Kit

### Rear Compartment Lid Latch

Pin	Wire Color	Circuit No.	Function
1	0.3 OG/BK	744	Rear Compartment Lid Ajar Switch Signal
2	0.5 D-BU	737	Rear Compartment Lamp Control
3	0.85 BN/WH	56	Rear Compartment Lid Release Actuator
4	0.85 BK	1850	Ground

### Rear Compartment Lid Release Switch



## Connector Part Information

- | OEM: 7123-9610
- | Service: See Catalog
- | Description: 2-Way F (WH)

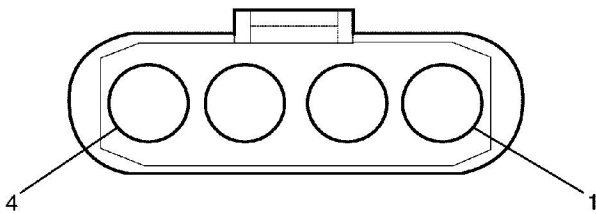
## Terminal Part Information

- | Terminal/Tray: See Terminal Repair Kit
- | Core/Insulation Crimp: See Terminal Repair Kit
- | Release Tool/Test Probe: See Terminal Repair Kit

## Rear Compartment Lid Release Switch

Pin	Wire Color	Circuit No.	Function
A	0.5 D-BU	6189	Rear Compartment Relay Switch
B	0.5 BK/WH	1450	Ground

## Rear Lock-Off/Service Solenoid Assembly (LPG)



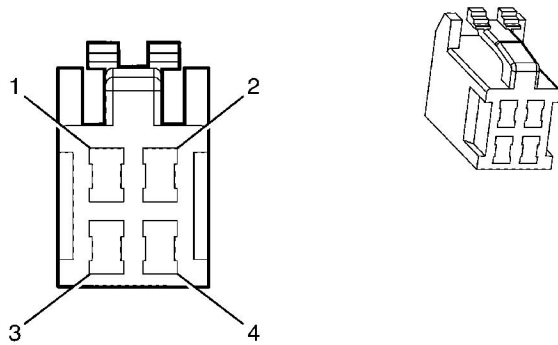
## Connector Part Information

## Terminal Part Information

## Rear Lock-Off/Service Solenoid Assembly (LPG)

Pin	Wire Color	Circuit No.	Function
1	0.5 BK	--	Ground
2	0.5 GN	--	Relay Controlled Voltage
3	0.75 WH	--	Fuel Level Output
4	0.5 BKGN	--	Rear Lock-Off Control

## Rear Object Sensor Control Module Connector



### Connector Part Information

- | OEM: 7282-1040
- | Service: See Catalog
- | Description: 4-Way M 090 II Series (NA)

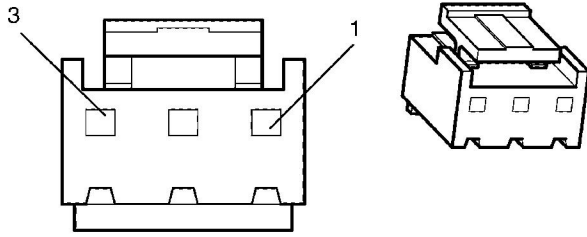
### Terminal Part Information

- | Pins: 1, 3
- | Terminal/Tray: 7114-4020/10
- | Core/Insulation Crimp: E/C
- | Release Tool/Test Probe: 15315247/J-35616-19 (BK)
  
- | Pin: 2
- | Terminal/Tray: 7114-4021/10
- | Core/Insulation Crimp: E/A
- | Release Tool/Test Probe: 15315247/J-35616-19 (BK)

### Rear Object Sensor Control Module Connector

Pin	Wire Color	Circuit No.	Function
1	0.5 BN/BU	343	Accessory Voltage
2	0.85 L-GN	24	Backup Lamp Supply Voltage
3	0.5 BK	1650	Ground
4	--	--	Not Used

### Rear Park Assist Module X2



### Connector Part Information

- | OEM:
- | Service: See Catalog
- | Description: 3-Way F

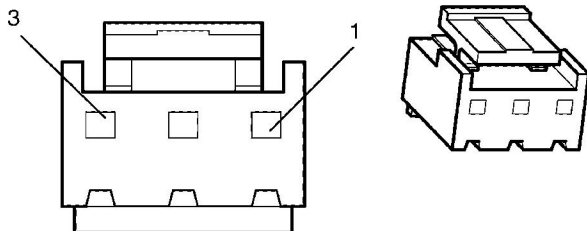
### Terminal Part Information

- | Terminal/Tray: See Terminal Repair Kit
- | Core/Insulation Crimp: See Terminal Repair Kit
- | Release Tool/Test Probe: See Terminal Repair Kit

### Rear Park Assist Module X2

Pin	Wire Color	Circuit No.	Function
1	1 BK		Ground
2	2 RD		Ultrasonic signal
3	--	--	Not Used

### Rear Park Assist Module X3



### Connector Part Information

- | OEM:
- | Service: See Catalog
- | Description: 3-Way F

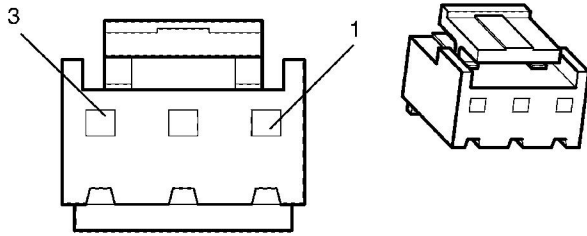
### Terminal Part Information

- | Terminal/Tray: See Terminal Repair Kit
- | Core/Insulation Crimp: See Terminal Repair Kit
- | Release Tool/Test Probe: See Terminal Repair Kit

### Rear Park Assist Module X3

Pin	Wire Color	Circuit No.	Function
1	3 BK		Ground
2	4 RD		Ultrasonic signal
3	--	--	Not Used

### Rear Park Assist Module X4



### Connector Part Information

- | OEM:
- | Service: See Catalog
- | Description: 3-Way F

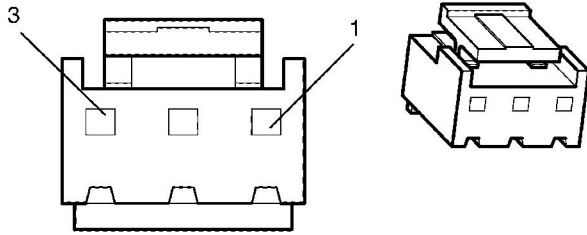
### Terminal Part Information

- | Terminal/Tray: See Terminal Repair Kit
- | Core/Insulation Crimp: See Terminal Repair Kit
- | Release Tool/Test Probe: See Terminal Repair Kit

### Rear Park Assist Module X4

Pin	Wire Color	Circuit No.	Function
1	5 BK		Ground
2	6 RD		Ultrasonic signal
3	--	--	Not Used

## Rear Park Assist Module X5



### Connector Part Information

- | OEM:
- | Service: See Catalog
- | Description: 3-Way F

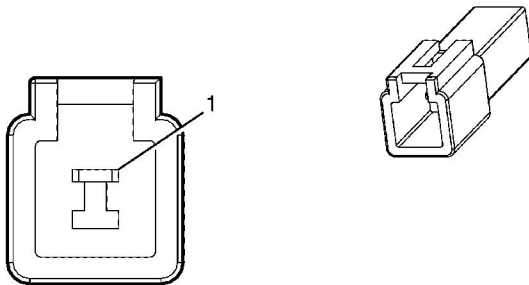
### Terminal Part Information

- | Terminal/Tray: See Terminal Repair Kit
- | Core/Insulation Crimp: See Terminal Repair Kit
- | Release Tool/Test Probe: See Terminal Repair Kit

## Rear Park Assist Module X5

Pin	Wire Color	Circuit No.	Function
1	7 BK		Ground
2	8 RD		Ultrasonic signal
3	--	--	Not Used

## Rear Park Assist Ground Connector X1







### Connector Part Information

- | OEM:
- | Service: See Catalog
- | Description: 1-Way F

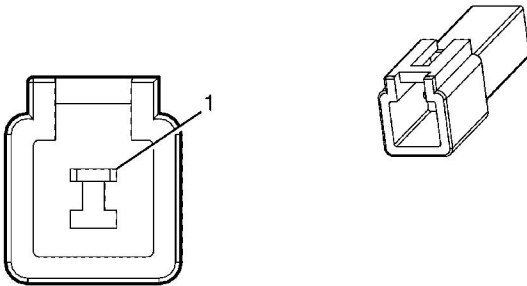
### Terminal Part Information

- | Terminal/Tray: See Terminal Repair Kit
- | Core/Insulation Crimp: See Terminal Repair Kit
- | Release Tool/Test Probe: See Terminal Repair Kit

#### Rear Park Assist Ground Connector X1

Pin	Wire Color	Circuit No.	Function
1	8 BK		Ground

#### Rear Park Assist Ground Connector X2



### Connector Part Information

- | OEM:
- | Service: See Catalog
- | Description: 1-Way F

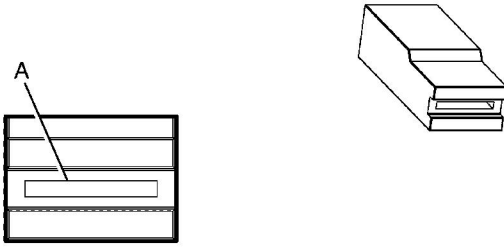
### Terminal Part Information

- | Terminal/Tray: See Terminal Repair Kit
- | Core/Insulation Crimp: See Terminal Repair Kit
- | Release Tool/Test Probe: See Terminal Repair Kit

#### Rear Park Assist Ground Connector X2

Pin	Wire Color	Circuit No.	Function
1	8 BK		Ground

## Rear Window Defogger Grid X1



### Connector Part Information

- | OEM: 7183-0073-30
- | Service: See Catalog
- | Description: 1-Way F (BK)

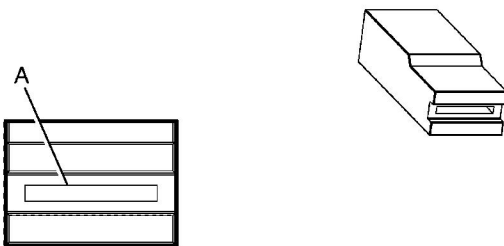
### Terminal Part Information

- | Terminal/Tray: See Terminal Repair Kit
- | Core/Insulation Crimp: See Terminal Repair Kit
- | Release Tool/Test Probe: See Terminal Repair Kit

## Rear Window Defogger Grid X1

Pin	Wire Color	Circuit No.	Function
A	3 PU	293	Rear Defog Element Supply Voltage

## Rear Window Defogger Grid X2



### Connector Part Information

- | OEM: 7183-0073-30
- | Service: See Catalog
- | Description: 1-Way F (BK)

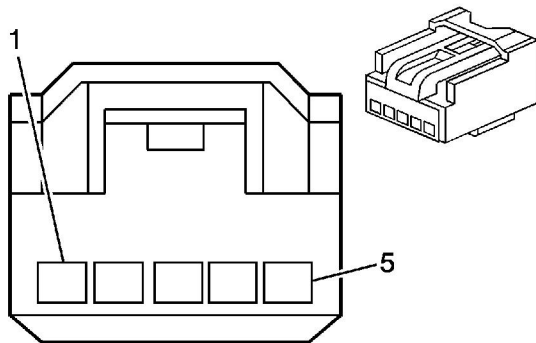
### Terminal Part Information

- | Terminal/Tray: See Terminal Repair Kit
- | Core/Insulation Crimp: See Terminal Repair Kit
- | Release Tool/Test Probe: See Terminal Repair Kit

### Rear Window Defogger Grid X2

Pin	Wire Color	Circuit No.	Function
A	3 BK	1650	Ground

### Recirculation Actuator



### Connector Part Information

- | OEM: 7283-5830-30
- | Service: See Catalog
- | Description: 5-Way F Yazaki (BK)

### Terminal Part Information

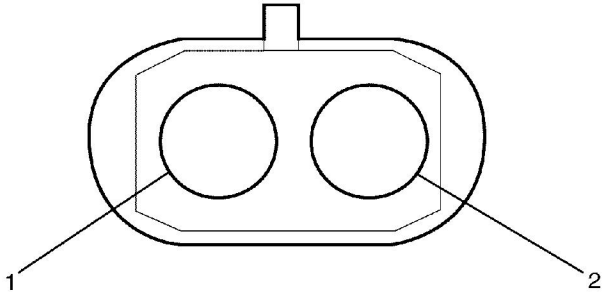
- | Terminal/Tray: See Terminal Repair Kit
- | Core/Insulation Crimp: See Terminal Repair Kit
- | Release Tool/Test Probe: See Terminal Repair Kit

### Recirculation Actuator

Pin	Wire Color	Circuit No.	Function
1	0.3 WH/BU	1614	Recirculation Door Control B
2	0.3 WH/BK	2274	Recirculation Door Control Circuit
3	0.3 D-BU/BK	718	Low Reference
4	0.3 WH/RD	1838	Recirculation Door Position Signal

5	0.3 WH/GN	597	5-Volt Reference
---	-----------	-----	------------------

### Regulator Temperature Sensor (LPG)

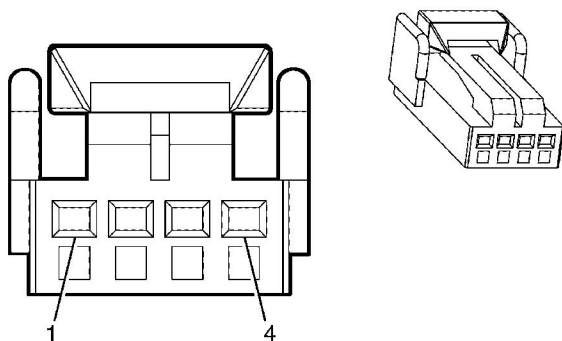


Connector Part Information  
Terminal Part Information

### Regulator Temperature Sensor (LPG)

Pin	Wire Color	Circuit No.	Function
1	0.5 BU	--	Ground
2	0.5 YE	--	Regulator Temperature Signal

### Remote Control Door Lock Receiver (RCDLR)



Connector Part Information

- | OEM: 7119-1142-60
- | Service: See Catalog
- | Description: 4-Way F (GN)

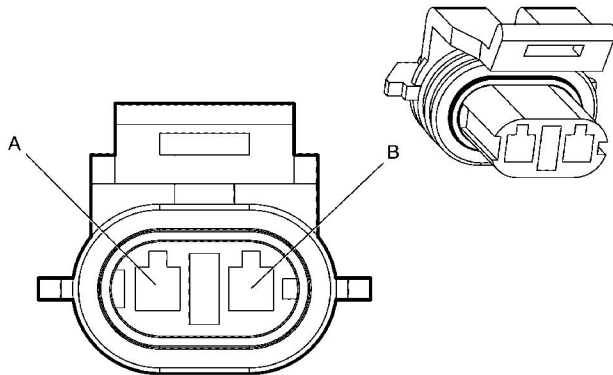
### Terminal Part Information

- | Pins: 1, 4
- | Terminal/Tray: IL-AG5-C1-5000/20
- | Core/Insulation Crimp: J/J
- | Release Tool/Test Probe: J-38125-211/J-35616-64B (L-BU)
  
- | Pin: 2
- | Terminal/Tray: IL-AG5-C1-5000/20
- | Core/Insulation Crimp: K/K
- | Release Tool/Test Probe: J-38125-211/J-35616-64B (L-BU)

### Remote Control Door Lock Receiver (RCDLR)

Pin	Wire Color	Circuit No.	Function
1	0.5 OG/WH	1840	Battery Positive Voltage
2	0.35 D-GN	5060	Low Speed GMLAN Serial Data
3	--	--	Not Used
4	0.5 BK	1650	Ground

### Reverse Lockout Solenoid (L98 or HSV)



### Connector Part Information

- | OEM: 12052646
- | Service: See Catalog
- | Description: 2-Way F

### Terminal Part Information

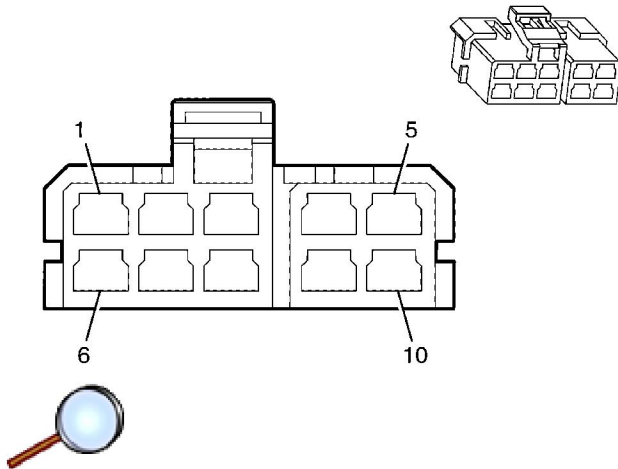
- | Terminal/Tray: See Terminal Repair Kit
- | Core/Insulation Crimp: See Terminal Repair Kit
- | Release Tool/Test Probe: See Terminal Repair Kit

### Reverse Lockout Solenoid (L98 or HSV or LS2)

Pin	Wire Color	Circuit No.	Function
-----	------------	-------------	----------

A	0.75 L-GN	1652	Reverse Lockout Solenoid Control
B	0.75 PK/BK	5705	Reverse Lockout Solenoid Battery Power

### Seat Adjuster Switch - Driver (AG3 or AGB)



#### Connector Part Information

- | OEM: PH56510040
- | Service: See Catalog
- | Description: 10-Way F

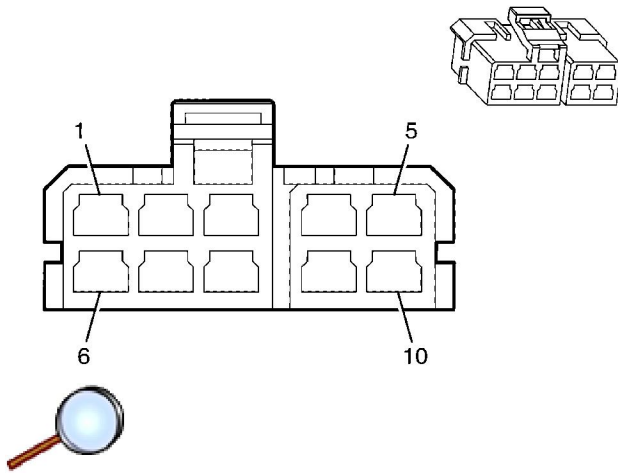
#### Terminal Part Information

- | Terminal/Tray: See Terminal Repair Kit
- | Core/Insulation Crimp: See Terminal Repair Kit
- | Release Tool/Test Probe: See Terminal Repair Kit

### Seat Adjuster Switch - Driver (AG3 or AGB)

Pin	Wire Color	Circuit No.	Function
1	--	--	Not Used
2	0.3 BN/RD	1269	Driver Seat Recline Motor Forward Control
3	0.3 TN	1522	Driver Seat Horizontal Motor Rearward Control
4	0.3 BN/WH	1270	Driver Seat Recline Motor Rearward Control
5	0.3 BN/GN	1674	Reference Voltage
6	0.3 D-GN/BU	1523	Driver Seat Horizontal Motor Forward Control
7	0.3 RD/WH	1520	Driver Seat Front Vertical Motor Down Control
8	0.3 YE/BU	1521	Driver Seat Rear Vertical Motor Down Control
9	0.3 PK	1519	Driver Seat Rear Vertical Motor Up Control
10	0.3 BK/BU	1518	Driver Seat Front Vertical Motor Up Control

### Seat Adjuster Switch - Driver (AH6 or AJ6)



### Connector Part Information

- | OEM:
- | Service: See Catalog
- | Description: 10-Way

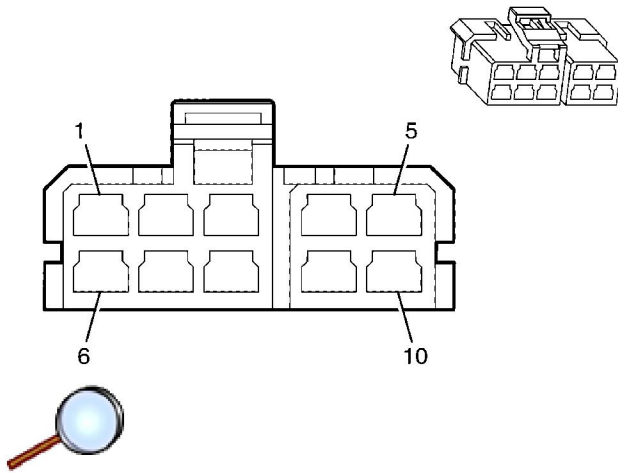
### Terminal Part Information

- | Terminal/Tray: See Terminal Repair Kit
- | Core/Insulation Crimp: See Terminal Repair Kit
- | Release Tool/Test Probe: See Terminal Repair Kit

### Seat Adjuster Switch - Driver (AH6 or AJ6)

Pin	Wire Color	Circuit No.	Function
1	2 OG	1140	Battery Positive Voltage
2	2 BK	2050	Ground (LHD)
	2 BK	1350	Ground (RHD)
3	2 D-GN	286	Driver Seat Front Vertical Motor Up Control
4	2 D-BU	287	Driver Seat Front Vertical Motor Down Control
5	2 YE	282	Driver Seat Rear Vertical Motor Up Control
6	2 L-BU	283	Driver Seat Rear Vertical Motor Down Control
7	2 TN	285	Driver Seat Horizontal Motor Forward Control
8	2 L-GN	284	Driver Seat Horizontal Motor Rearward Control
9	2 L-GN	276	Driver Seat Recline Motor Forward Control
10	2 L-BU	277	Driver Seat Recline Motor Rearward Control

### Seat Adjuster Switch - Passenger



### Connector Part Information

- | OEM:
- | Service: See Catalog
- | Description: 10-Way F

### Terminal Part Information

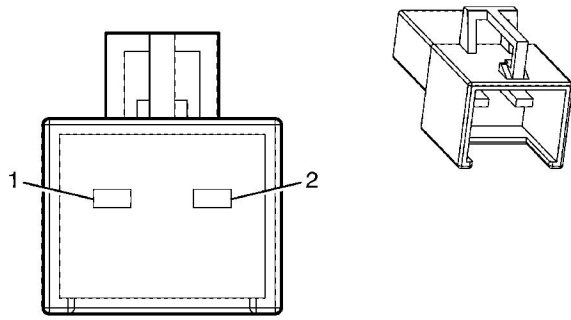
- | Terminal/Tray: See Terminal Repair Kit
- | Core/Insulation Crimp: See Terminal Repair Kit
- | Release Tool/Test Probe: See Terminal Repair Kit

### Seat Adjuster Switch - Passenger

Pin	Wire Color	Circuit No.	Function
1	2 OG	1140	Battery Positive Voltage
2	2 BK	1350	Ground (LHD)
	2 BK	2050	Ground (RHD)
3	2 D-GN	297	Passenger Seat Front Vertical Motor Up Control
4	2 D-BU	298	Passenger Seat Front Vertical Motor Down Control
5	2 YE	288	Passenger Seat Rear Vertical Motor Up Control
6	2 L-BU	289	Passenger Seat Rear Vertical Motor Down Control
7	2 TN	296	Passenger Seat Horizontal Motor Forward Control
8	2 L-GN	290	Passenger Seat Horizontal Motor Rearward Control
9	2 D-GN	76	Passenger Seat Recline Motor Forward
10	2 D-BU	77	Passenger Seat Recline Motor Rearward

### Seat Belt Buckle Pretensioner - Driver





### Connector Part Information

- | OEM: 7183-9857-70
- | Service: 15306012
- | Description: 2-Way M 280 Series (YE)

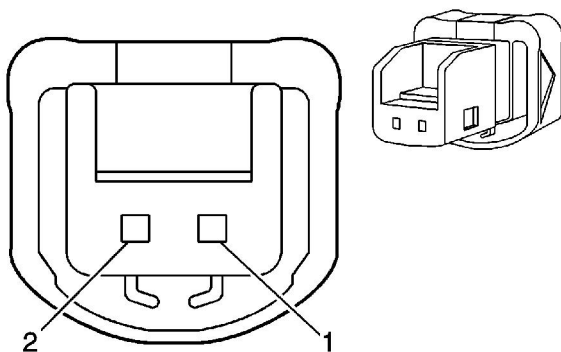
### Terminal Part Information

- | Terminal/Tray: See Terminal Repair Kit
- | Core/Insulation Crimp: See Terminal Repair Kit
- | Release Tool/Test Probe: See Terminal Repair Kit

### Seat Belt Buckle Pretensioner - Driver

Pin	Wire Color	Circuit No.	Function
1	0.3 L-GN	2118	Seat Belt Pretensioner - Left - High Control
2	0.3 OG	2119	Seat Belt Pretensioner - Left - Low Control

### Seat Belt Retractor Pretensioner - Driver



### Connector Part Information

- | OEM: 7283-5494-60

- | Service: See Catalog
- | Description: 2-Way F (GN)

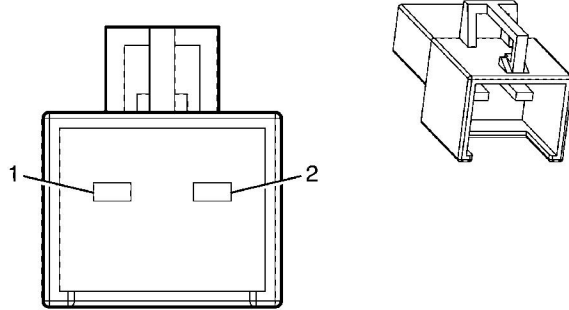
**Terminal Part Information**

- | Terminal/Tray: 1411560-2/25
- | Core/Insulation Crimp: E/C
- | Release Tool/Test Probe: 12094429/J-35616-64B (L-BU)

**Seat Belt Retractor Pretensioner - Driver**

Pin	Wire Color	Circuit No.	Function
1	0.3 WH	7206	Driver Seat Belt Pretensioner Retractor - Low Control
2	0.3 OG/GN	7203	Driver Seat Belt Pretensioner Retractor - High Control

**Seat Belt Buckle Pretensioner - Passenger**



**Connector Part Information**

- | OEM: 7183-9857-70
- | Service: 15306012
- | Description: 2-Way M 280 Series (YE)

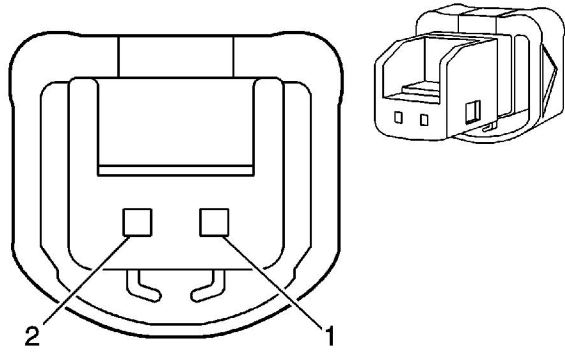
**Terminal Part Information**

- | Terminal/Tray: See Terminal Repair Kit
- | Core/Insulation Crimp: See Terminal Repair Kit
- | Release Tool/Test Probe: See Terminal Repair Kit

**Seat Belt Buckle Pretensioner - Passenger**

Pin	Wire Color	Circuit No.	Function
1	0.3 BK/WH	2116	Seat Belt Pretensioner - Right - High Control
2	0.3 OG/BK	2117	Seat Belt Pretensioner - Right - Low Control

**Seat Belt Retractor Pretensioner - Passenger**



### Connector Part Information

- | OEM: 7283-5494-60
- | Service: See Catalog
- | Description: 2-Way F (GN)

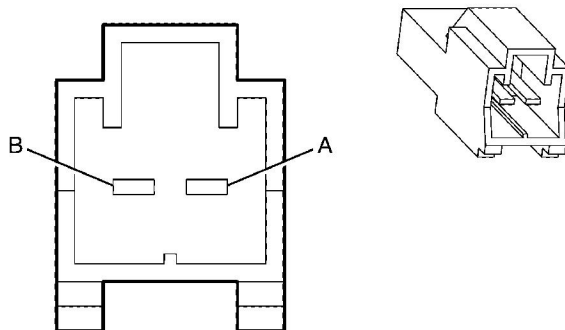
### Terminal Part Information

- | Terminal/Tray: 1411560-2/25
- | Core/Insulation Crimp: E/C
- | Release Tool/Test Probe: 12094429/J-35616-64B (L-BU)

### Seat Belt Retractor Pretensioner - Passenger

Pin	Wire Color	Circuit No.	Function
1	0.3 PU/GN	7205	Passenger Seat Belt Pretensioner Retractor - High Control
2	0.3 OG/BU	7204	Passenger Seat Belt Pretensioner Retractor - Low Control

### Seat Belt Switch - Driver



### Connector Part Information

- | OEM: H12
- | Service: See Catalog
- | Description: 2-Way M (WH)

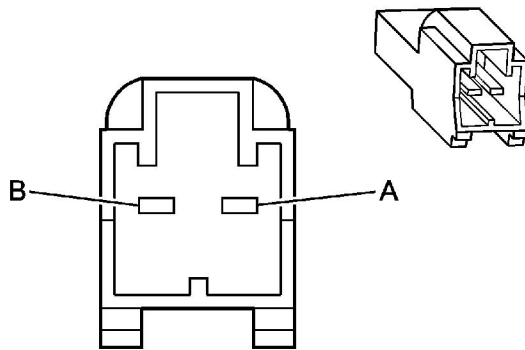
### Terminal Part Information

- | Terminal/Tray: See Terminal Repair Kit
- | Core/Insulation Crimp: See Terminal Repair Kit
- | Release Tool/Test Probe: See Terminal Repair Kit

### Seat Belt Switch - Driver

Pin	Wire Color	Circuit No.	Function
A	0.3 D-BU	238	Seat Belt Switch - Left - Low Reference
B	0.3 BK/WH	1363	Seat Belt Switch - Left
	0.3 TN/WH	1363	Seat Belt Switch - Left

### Seat Belt Switch - Passenger



### Connector Part Information

- | OEM: H12
- | Service: See Catalog
- | Description: 2-Way F (WH)

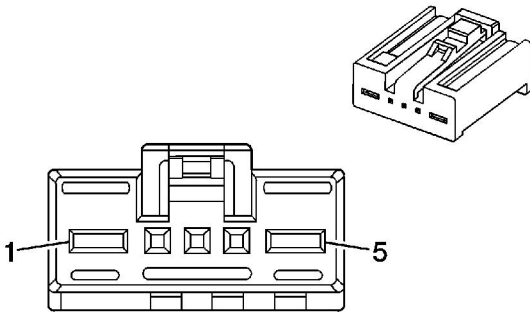
### Terminal Part Information

- | Terminal/Tray: See Terminal Repair Kit
- | Core/Insulation Crimp: See Terminal Repair Kit
- | Release Tool/Test Probe: See Terminal Repair Kit

### Seat Belt Switch - Passenger

Pin	Wire Color	Circuit No.	Function
A	0.3 BK/WH	1362	Seat Belt Switch - Right - Signal
B	0.3 BK	1363	Seat Belt Switch - Left - Low Reference

## Seat Front Vertical Motor - Driver (AG1 or AG3)



### Connector Part Information

- | OEM: 0-1379217-4
- | Service: See Catalog
- | Description: 5-Way F (BK)

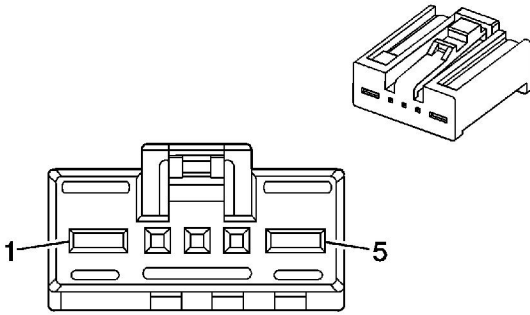
### Terminal Part Information

- | Terminal/Tray: See Terminal Repair Kit
- | Core/Insulation Crimp: See Terminal Repair Kit
- | Release Tool/Test Probe: See Terminal Repair Kit

## Seat Front Vertical Motor - Driver (AG1 or AG3)

Pin	Wire Color	Circuit No.	Function
1	0.85 D-BU/RD	287	Driver Seat Front Vertical Motor Down Control (AG3)
	2 D-GN	286	Driver Seat Front Vertical Motor Up Control (AG1)
2	0.3 BK/OG	1350	Ground (AG3)
3	0.3 BN/BU	557	Front Vertical Seat Motor Position Sensor Signal (AG3)
4	0.3 D-GN/WH	3040	Battery Positive Voltage (AG3)
5	0.85 BN	286	Driver Seat Front Vertical Motor Up Control (AG3)
	2 D-BU	287	Driver Seat Front Vertical Motor Down Control (AG1)

## Seat Front Vertical Motor - Passenger (AG1)



### Connector Part Information

- | OEM: 1379218
- | Service: See Catalog
- | Description: 5-Way F (BK)

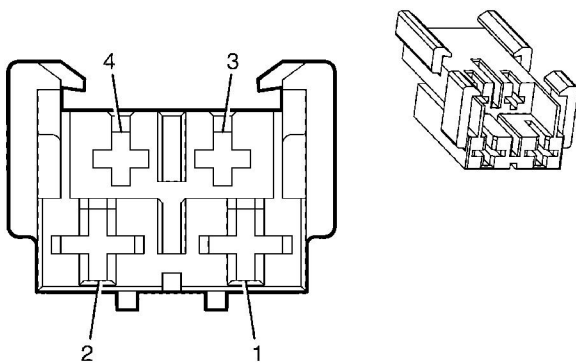
### Terminal Part Information

- | Terminal/Tray: See Terminal Repair Kit
- | Core/Insulation Crimp: See Terminal Repair Kit
- | Release Tool/Test Probe: See Terminal Repair Kit

### Seat Front Vertical Motor - Passenger (AG1)

Pin	Wire Color	Circuit No.	Function
1	2 D-GN	297	Passenger Seat Front Vertical Motor Up Control
2-4	--	--	Not Used
5	2 D-BU	298	Passenger Seat Front Vertical Motor Down Control

### Seat Horizontal Motor - Driver (AG1 or AG3)



### Connector Part Information

- | OEM: 0-968182-1
- | Service: See Catalog
- | Description: 2-Way F (BK)

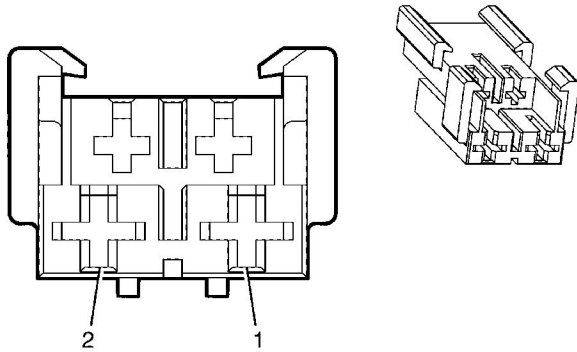
### Terminal Part Information

- | Terminal/Tray: See Terminal Repair Kit
- | Core/Insulation Crimp: See Terminal Repair Kit
- | Release Tool/Test Probe: See Terminal Repair Kit

### Seat Horizontal Motor - Driver (AG1 or AG3)

Pin	Wire Color	Circuit No.	Function
1	0.85 GY	284	Driver Seat Horizontal Motor Rearward Control (AG3)
	2 TN	285	Driver Seat Horizontal Motor Forward Control (AG1)
2	0.85 GY/RD	285	Driver Seat Horizontal Motor Forward Control (AG3)
	2 L-GN	284	Driver Seat Horizontal Motor Rearward Control (AG1)
3	0.3 BK/OG	1350	Ground (AG3)
4	0.3 WH/GY	569	Horizontal Seat Motor Position Sensor Signal (AG3)

### Seat Horizontal Motor - Passenger (AG1)



### Connector Part Information

- | OEM: 968182
- | Service: See Catalog
- | Description: 2-Way F (BK)

### Terminal Part Information

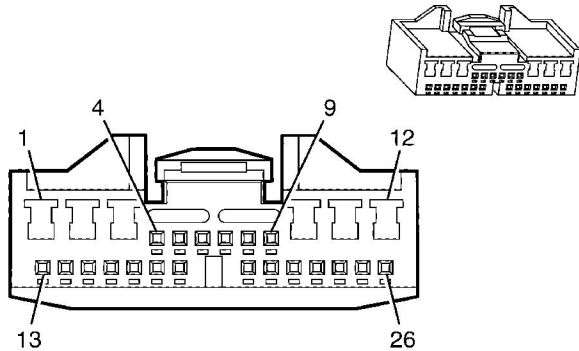
- | Terminal/Tray: See Terminal Repair Kit
- | Core/Insulation Crimp: See Terminal Repair Kit
- | Release Tool/Test Probe: See Terminal Repair Kit

### Seat Horizontal Motor - Passenger (AG1)

Pin	Wire Color	Circuit No.	Function
-----	------------	-------------	----------

1	2 TN	296	Passenger Seat Horizontal Motor Forward Control
2	2 L-GN	290	Passenger Seat Horizontal Motor Rearward Control

## Memory Seat Module (MSM)



### Connector Part Information

- | OEM: 173851-1
- | Service: See Catalog
- | Description: 26-Way

### Terminal Part Information

- | Terminal/Tray: See Terminal Repair Kit
- | Core/Insulation Crimp: See Terminal Repair Kit
- | Release Tool/Test Probe: See Terminal Repair Kit

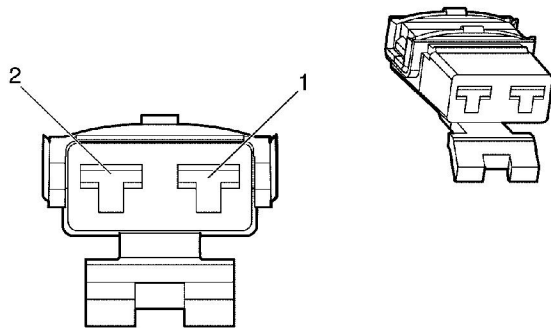
## Memory Seat Module (MSM)

Pin	Wire Color	Circuit No.	Function
1	1.25 RD/BK	4740	Seat Module Supply Voltage
2	0.3 D-BU/WH	1985	5-Volt Reference
3	2 RD	1140	Battery Positive Voltage
4	0.3 WH/BK	2293	Right Front Adaptive Seat Switch / Mirror Dip Signal
5	0.3 PU	615	Memory 1 Switch Signal
6	--	--	Not Used
7	0.3 YE/WH	616	Memory 2 Switch Signal
8	--	--	Not Used
9	0.3 D-BU/OG	614	Memory 3 Switch Signal
10-11	--	--	Not Used
12	0.5 BK/OG	1350	Ground



13	0.3 PK/BU	7363	MOD_WK
14	--	--	Not Used
15	0.3 OG/BK	1061	UART Serial Data
16-17	--	--	Not Used
18	0.3 WH/RD	612	Right Front Adaptive Seat Switch / Mirror Dip Control Signal
19	0.3 TN/BK	5978	Memory 1 Switch Control Signal
20	0.3 D-GN/PK	5979	Memory 2 Switch Control Signal
21	0.3 YE/RD	782	Memory 3 Switch Control Signal
22-24	--	--	Not Used
25	0.3 L-GN/BK	5060	Low Speed GMLAN Serial Data
26	--	--	Not Used

## Seat Lumbar Motor - Driver X1 (AG3)



### Connector Part Information

- | OEM: 12020556
- | Service: See Catalog
- | Description: 2-Way

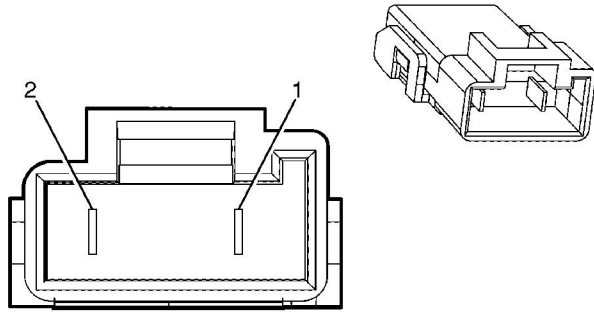
### Terminal Part Information

- | Terminal/Tray: See Terminal Repair Kit
- | Core/Insulation Crimp: See Terminal Repair Kit
- | Release Tool/Test Probe: See Terminal Repair Kit

## Seat Lumbar Motor - Driver X1 (AG3)

Pin	Wire Color	Circuit No.	Function
1	0.85 D-GN/RD	767	Driver Seat Lumbar Motor Down Control
2	0.3 RD/YE	768	Driver Seat Lumbar Horizontal Position Sensor Signal

## Seat Lumbar Motor - Driver X2 (AG3)



### Connector Part Information

- | OEM: 12034344
- | Service: See Catalog
- | Description: 2-Way

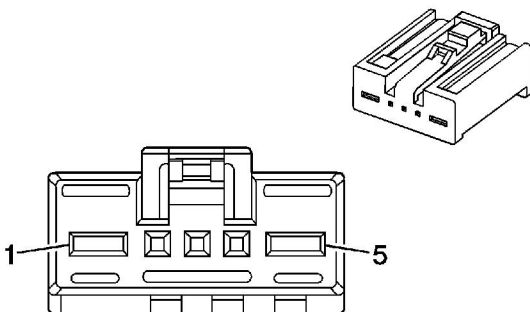
### Terminal Part Information

- | Terminal/Tray: See Terminal Repair Kit
- | Core/Insulation Crimp: See Terminal Repair Kit
- | Release Tool/Test Probe: See Terminal Repair Kit

## Seat Lumbar Motor - Driver X2 (AG3)

Pin	Wire Color	Circuit No.	Function
1	0.3 PU/BU	1062	Driver Seat Lumbar Vertical Position Sensor Signal
2	0.85 D-BU/YE	1063	Driver Seat Lumbar Motor Up Control

## Seat Rear Vertical Motor - Driver (AG1 or AG3)



## Connector Part Information

- | OEM: 1379218
- | Service: See Catalog
- | Description: 5-Way F (WH)

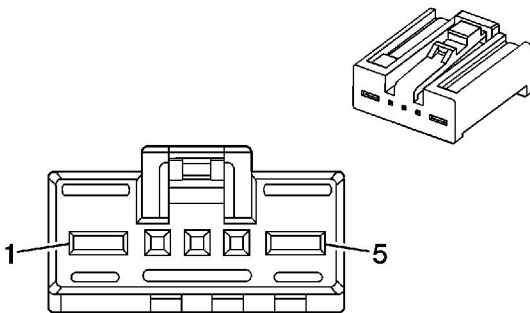
## Terminal Part Information

- | Terminal/Tray: See Terminal Repair Kit
- | Core/Insulation Crimp: See Terminal Repair Kit
- | Release Tool/Test Probe: See Terminal Repair Kit

## Seat Rear Vertical Motor - Driver (AG1 or AG3)

Pin	Wire Color	Circuit No.	Function
1	0.85 D-BU	283	Driver Seat Rear Vertical Motor Down Control (AG3)
	2 YE	282	Driver Seat Rear Vertical Motor Up Control (AG1)
2	0.3 BK/OG	1350	Ground (AG3)
3	0.3 RD/GN	568	Rear Vertical Seat Motor Position Sensor Signal (AG3)
4	0.3 D-GN/PU	2940	Battery Positive Voltage (AG3)
5	0.85 D-GN/YE	282	Driver Seat Rear Vertical Motor UP Control (AG3)
	2 L-BU	283	Driver Seat Rear Vertical Motor Down Control (AG1)

## Seat Rear Vertical Motor - Passenger (AG1)



## Connector Part Information

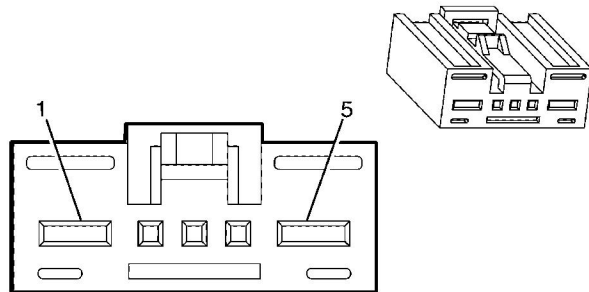
- | OEM: 1379218
- | Service: See Catalog
- | Description: 5-Way F (WH)

## Terminal Part Information

- | Terminal/Tray: See Terminal Repair Kit
- | Core/Insulation Crimp: See Terminal Repair Kit
- | Release Tool/Test Probe: See Terminal Repair Kit

**Seat Rear Vertical Motor - Passenger (AG1)**

Pin	Wire Color	Circuit No.	Function
1	2 YE	288	Passenger Seat Rear Vertical Motor Up Control
2-4	--	--	Not Used
5	2 L-BU	289	Passenger Seat Rear Vertical Motor Down Control

**Seat Recline Motor - Driver (AG1 or AG3)****Connector Part Information**

- | OEM: 0-1379217-3
- | Service: See Catalog
- | Description: 5-Way

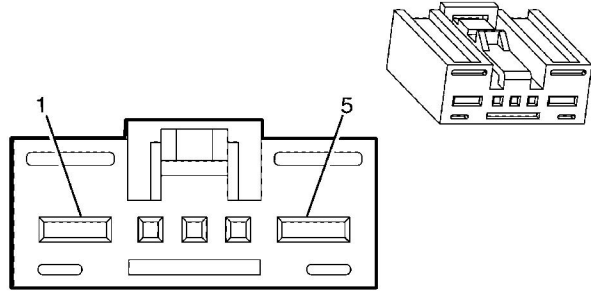
**Terminal Part Information**

- | Terminal/Tray: See Terminal Repair Kit
- | Core/Insulation Crimp: See Terminal Repair Kit
- | Release Tool/Test Probe: See Terminal Repair Kit

**Seat Recline Motor - Driver (AG1 or AG3)**

Pin	Wire Color	Circuit No.	Function
1	0.85 YE	276	Driver Seat Recline Motor Forward Control (AG3)
	2 L-GN	276	Driver Seat Recline Motor Forward Control (AG1)
2	0.3 BK/OG	1350	Ground (AG3)
3	--	--	Not Used
4	0.3 D-GN/BN	570	Driver Seat Recline Motor Position Sensor Signal (AG3)
5	0.85 PU/GN	277	Driver Seat Recline Motor Rearward Control (AG3)
	2 L-BU	277	Driver Seat Recline Motor Rearward Control (AG1)

**Seat Recline Motor - Passenger (AG1)**



### Connector Part Information

- | OEM:
- | Service: See Catalog
- | Description: 5-Way

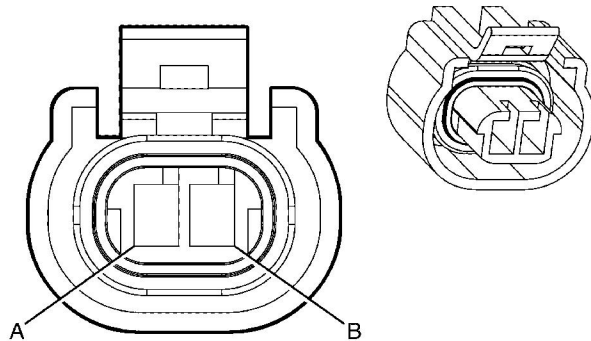
### Terminal Part Information

- | Terminal/Tray: See Terminal Repair Kit
- | Core/Insulation Crimp: See Terminal Repair Kit
- | Release Tool/Test Probe: See Terminal Repair Kit

### Seat Recline Motor - Passenger (AG1)

Pin	Wire Color	Circuit No.	Function
1	2 D-GN	76	Passenger Seat Recline Motor Forward
2-4	--	--	Not Used
5	2 D-BU	77	Passenger Seat Recline Motor Rearward

### Shock Absorber Actuator - Left Front (HSV)



## Connector Part Information

- | OEM:
- | Service: See Catalog
- | Description: 2-Way F

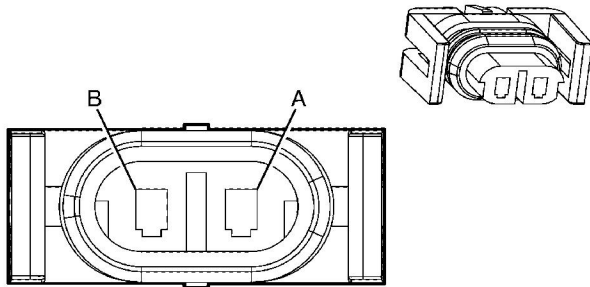
## Terminal Part Information

- | Terminal/Tray: See Terminal Repair Kit
- | Core/Insulation Crimp: See Terminal Repair Kit
- | Release Tool/Test Probe: See Terminal Repair Kit

### Shock Absorber Actuator - Left Front (HSV)

Pin	Wire Color	Circuit No.	Function
A	0.35 PK	1107	Left Front Damper Control
B	0.35 PK/BK	1113	Left Front Damper Low Reference

### Shock Absorber Actuator - Left Rear (HSV)



## Connector Part Information

- | OEM:
- | Service: See Catalog
- | Description: 2-Way F

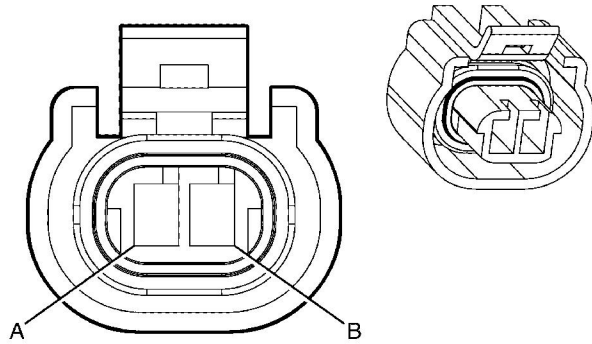
## Terminal Part Information

- | Terminal/Tray: See Terminal Repair Kit
- | Core/Insulation Crimp: See Terminal Repair Kit
- | Release Tool/Test Probe: See Terminal Repair Kit

### Shock Absorber Actuator - Left Rear (HSV)

Pin	Wire Color	Circuit No.	Function
A	0.35 WH/RD	1114	Left Rear Damper Control
B	0.35 WH/BK	1115	Left Rear Damper Low Reference

## Shock Absorber Actuator - Right Front (HSV)



### Connector Part Information

- | OEM:
- | Service: See Catalog
- | Description: 2-Way F

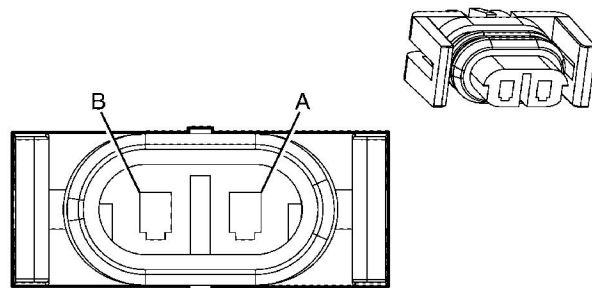
### Terminal Part Information

- | Terminal/Tray: See Terminal Repair Kit
- | Core/Insulation Crimp: See Terminal Repair Kit
- | Release Tool/Test Probe: See Terminal Repair Kit

## Shock Absorber Actuator - Right Front (HSV)

Pin	Wire Color	Circuit No.	Function
A	0.35 PU	1116	Right Front Damper Control
B	0.35 PU/WH	1117	Right Front Damper Low Reference

## Shock Absorber Actuator - Right Rear (HSV)



## Connector Part Information

- | OEM:
- | Service: See Catalog
- | Description: 2-Way F

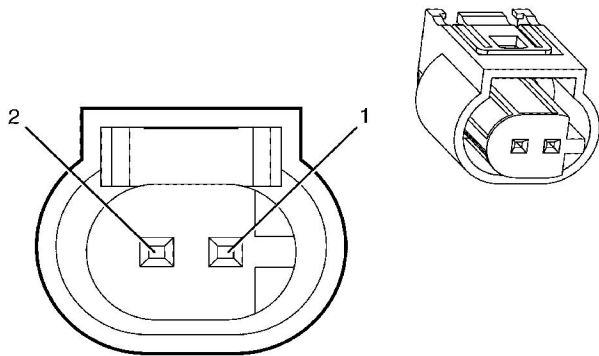
## Terminal Part Information

- | Terminal/Tray: See Terminal Repair Kit
- | Core/Insulation Crimp: See Terminal Repair Kit
- | Release Tool/Test Probe: See Terminal Repair Kit

## Shock Absorber Actuator - Right Rear (HSV)

Pin	Wire Color	Circuit No.	Function
A	0.35 WH/RD	1118	Right Rear Damper Control
B	0.35 WH/BK	1119	Right Rear Damper Low Reference

## Side Marker Lamp - Left Front



## Connector Part Information

- | OEM: 967644-1
- | Service: See Catalog
- | Description: 2-Way F MQS Series Sealed (BK)

## Terminal Part Information

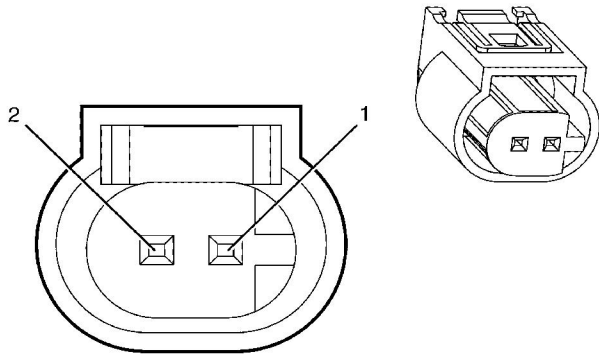
- | Terminal/Tray: See Terminal Repair Kit
- | Core/Insulation Crimp: See Terminal Repair Kit
- | Release Tool/Test Probe: See Terminal Repair Kit

## Side Marker Lamp - Left Front

Pin	Wire Color	Circuit No.	Function
1	0.5 BK	350	Ground
2	0.5 PU	309	Left Park Lamp Supply Voltage



## Side Marker Lamp - Left Rear



### Connector Part Information

- | OEM: 967644-1
- | Service: See Catalog
- | Description: 2-Way F MQS Series Sealed (BK)

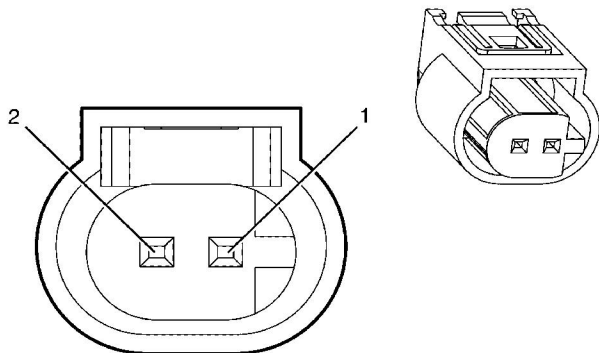
### Terminal Part Information

- | Terminal/Tray: See Terminal Repair Kit
- | Core/Insulation Crimp: See Terminal Repair Kit
- | Release Tool/Test Probe: See Terminal Repair Kit

## Side Marker Lamp - Left Rear

Pin	Wire Color	Circuit No.	Function
1	0.5 BN	709	Left Park Lamp Supply Voltage
2	0.5 WH	20	Stop Lamp Supply Voltage

## Side Marker Lamp - Right Front



### Connector Part Information

- | OEM: 967644-1
- | Service: See Catalog
- | Description: 2-Way F MQS Series Sealed (BK)

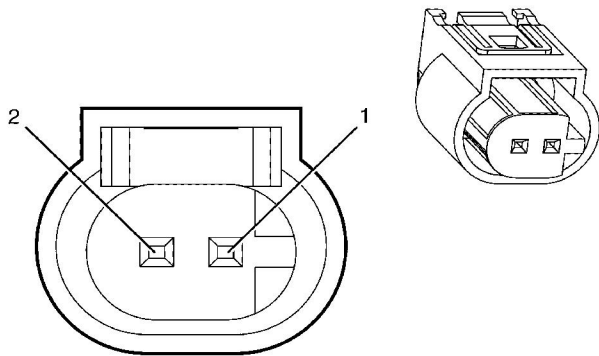
### Terminal Part Information

- | Terminal/Tray: See Terminal Repair Kit
- | Core/Insulation Crimp: See Terminal Repair Kit
- | Release Tool/Test Probe: See Terminal Repair Kit

### Side Marker Lamp - Right Front

Pin	Wire Color	Circuit No.	Function
1	0.5 BK	350	Ground
2	0.5 BN/WH	709	Right Park Lamp Supply Voltage

### Side Marker Lamp - Right Rear



### Connector Part Information

- | OEM: 967644-1
- | Service: See Catalog
- | Description: 2-Way F MQS Series Sealed (BK)

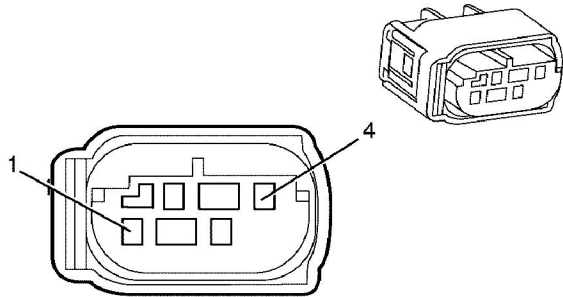
### Terminal Part Information

- | Terminal/Tray: See Terminal Repair Kit
- | Core/Insulation Crimp: See Terminal Repair Kit
- | Release Tool/Test Probe: See Terminal Repair Kit

### Side Marker Lamp - Right Rear

Pin	Wire Color	Circuit No.	Function
1	0.5 BN	309	Right Park Lamp Supply Voltage
2	0.5 WH	20	Stop Lamp Supply Voltage

## Siren Connector



### Connector Part Information

- | OEM:
- | Service: See Catalog
- | Description: 4-Way F

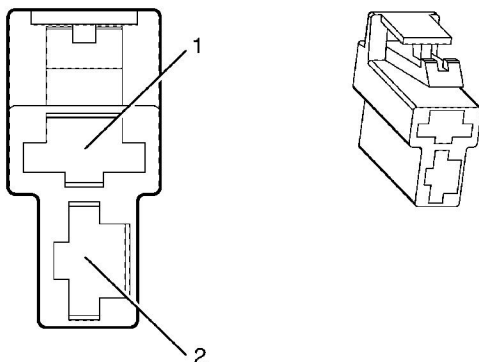
### Terminal Part Information

- | Terminal/Tray: See Terminal Repair Kit
- | Core/Insulation Crimp: See Terminal Repair Kit
- | Release Tool/Test Probe: See Terminal Repair Kit

## Siren Connector

Pin	Wire Color	Circuit No.	Function
1	0.35 BK	31	Accessory Power
2	0.35 BK	32	Battery Power
3	0.35 BK	33	Siren Control Signal
4	0.35 BK	34	Ground

## Speaker - Center I/P X1 (UW5)





### Connector Part Information

- | OEM: 7123-2825
- | Service: See Catalog
- | Description: 2-Way F (WH)

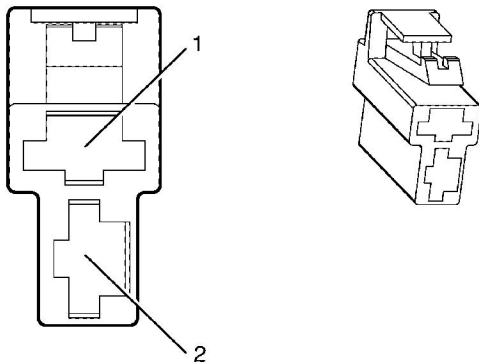
### Terminal Part Information

- | Terminal/Tray: 7116-2640-02/12
- | Core/Insulation Crimp: C/B
- | Release Tool/Test Probe: 12094430/J-35616-42 (RD)

### Speaker - Center I/P X1 (UW5)

Pin	Wire Color	Circuit No.	Function
1	0.5 GY	118	Left Front Speaker Output (-)
2	0.5 BN	201	Left Front Speaker Output (+)

### Speaker - Center I/P X2 (UW5)



### Connector Part Information

- | OEM: 7123-2825
- | Service: See Catalog
- | Description: 2-Way F (WH)

### Terminal Part Information

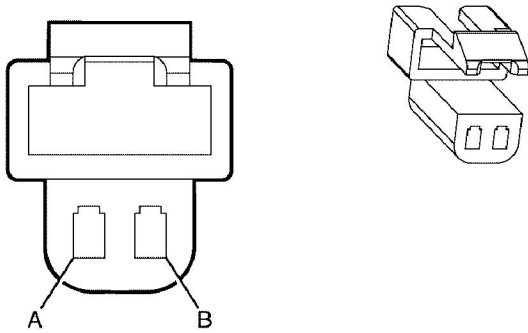
- | Terminal/Tray: 7116-2640-02/12
- | Core/Insulation Crimp: C/B
- | Release Tool/Test Probe: 12094430/J-35616-42 (RD)

### Speaker - Center I/P X2 (UW5)

Pin	Wire Color	Circuit No.	Function

1	0.5 D-GN	117	Right Front Speaker Output (-)
2	0.5 L-GN	200	Right Front Speaker Output (+)

### Speaker - Center I/P (without UW5)



#### Connector Part Information

- | OEM: 7123-2825
- | Service: See Catalog
- | Description: 2-Way F

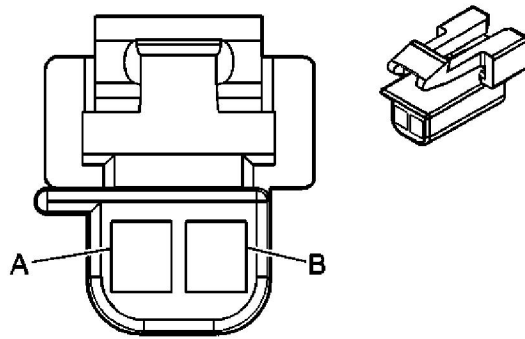
#### Terminal Part Information

- | Terminal/Tray: 7116-2640-02/12
- | Core/Insulation Crimp: C/B
- | Release Tool/Test Probe: 12094430/J-35616-42 (RD)

### Speaker - Center I/P (without UW5)

Pin	Wire Color	Circuit No.	Function
A	0.5 L-BU	1960	Front Center Speaker Output (-)
B	0.5 YE	1860	Front Center Speaker Output (+)

### Speaker - Left Front (UQ7)



### Connector Part Information

- | OEM: 12064869
- | Service: See Catalog
- | Description: 2-Way F

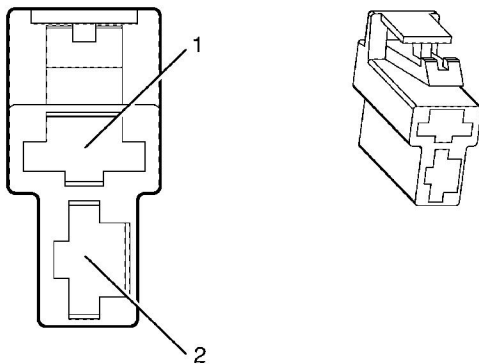
### Terminal Part Information

- | Terminal/Tray: See Terminal Repair Kit
- | Core/Insulation Crimp: See Terminal Repair Kit
- | Release Tool/Test Probe: See Terminal Repair Kit

### Speaker - Left Front (UQ7)

Pin	Wire Color	Circuit No.	Function
A	0.5 GY	118	Left Front Speaker Output (-)
B	0.5 BN	201	Left Front Speaker Output (+) (RHD)
	0.5 TN	201	Left Front Speaker Output (+) (LHD)

### Speaker - Left Front (UW5 or U65)



### Connector Part Information

- | OEM: 7123-2825
- | Service: See Catalog
- | Description: 2-Way F (WH)

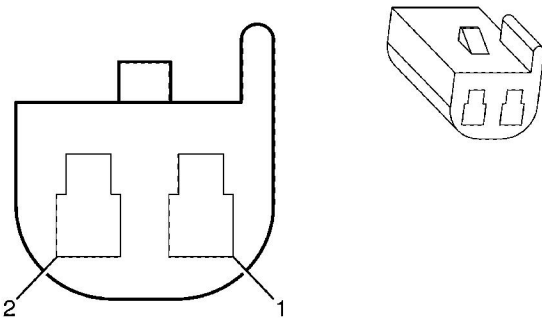
**Terminal Part Information**

- | Terminal/Tray: 7116-2640-02/12
- | Core/Insulation Crimp: C/B
- | Release Tool/Test Probe: 12094430/J-35616-42 (RD)

**Speaker - Left Front (UW5 or U65)**

Pin	Wire Color	Circuit No.	Function
1	0.5 GY	118	Left Front Speaker Output (-)
2	0.5 BN	201	Left Front Speaker Output (+)

**Speaker - Left Front Tweeter (U65 or UW5)**



- | OEM: 15493098
- | Service: See Catalog
- | Description: 2-Way F (BK)

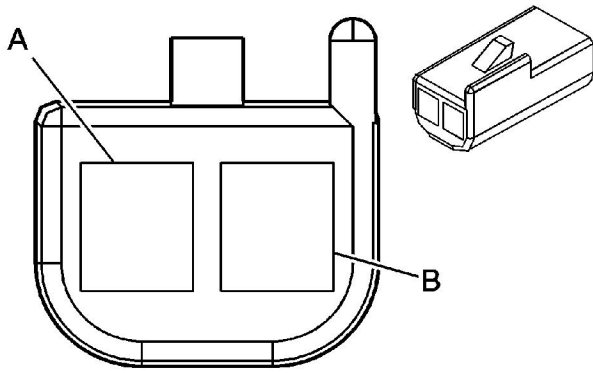
**Terminal Part Information**

- | Terminal/Tray: See Terminal Repair Kit
- | Core/Insulation Crimp: See Terminal Repair Kit
- | Release Tool/Test Probe: See Terminal Repair Kit

**Speaker - Left Front Tweeter (U65 or UW5)**

Pin	Wire Color	Circuit No.	Function
1	0.5 BN	201	Left Front Speaker Output (+)
2	0.3 GY	118	Left Front Speaker Output (-)

**Speaker - Left Front Tweeter (UQ7)**



### Connector Part Information

- | OEM: 12047662
- | Service: See Catalog
- | Description: 2-Way F

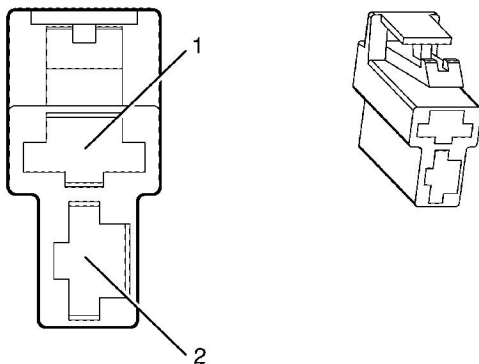
### Terminal Part Information

- | Terminal/Tray: See Terminal Repair Kit
- | Core/Insulation Crimp: See Terminal Repair Kit
- | Release Tool/Test Probe: See Terminal Repair Kit

### Speaker - Left Front Tweeter (UQ7)

Pin	Wire Color	Circuit No.	Function
A	0.85 GY	118	Left Front Speaker Output (+)
B	0.85 TN	201	Left Front Speaker Output (-)

### Speaker - Left Rear (U65 or UW5)



### Connector Part Information

- | OEM: 7123-2825



- | Service: See Catalog
- | Description: 2-Way F (WH)

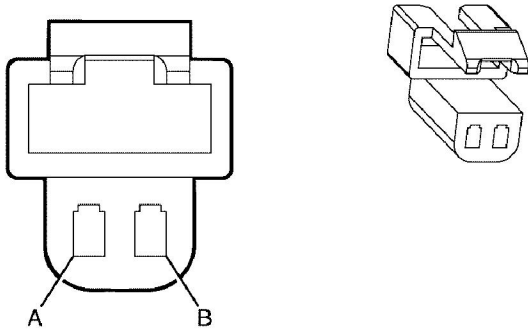
**Terminal Part Information**

- | Terminal/Tray: 7116-2640-02/12
- | Core/Insulation Crimp: C/B
- | Release Tool/Test Probe: 12094430/J-35616-42 (RD)

**Speaker - Left Rear (U65 or UW5)**

Pin	Wire Color	Circuit No.	Function
1	0.5 YE/RD	116	Left Rear Speaker Output (-)
2	0.5 BN	199	Left Rear Speaker Output (+)

**Speaker - Left Rear (UQ7)**



**Connector Part Information**

- | OEM: 15434358
- | Service: See Catalog
- | Description: 2-Way F

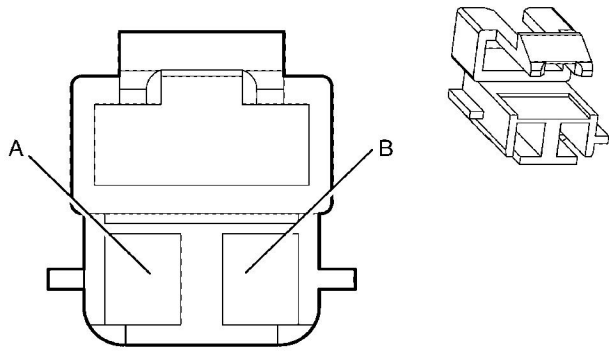
**Terminal Part Information**

- | Terminal/Tray: See Terminal Repair Kit
- | Core/Insulation Crimp: See Terminal Repair Kit
- | Release Tool/Test Probe: See Terminal Repair Kit

**Speaker - Left Rear (UQ7)**

Pin	Wire Color	Circuit No.	Function
A	0.5 YE/RD	116	Left Rear Speaker Output (-)
B	0.5 BN	199	Left Rear Speaker Output (+)

**Speaker - Left Subwoofer (UQ7)**



### Connector Part Information

- | OEM: 7283-1020
- | Service: See Catalog
- | Description: 2-Way F 090 II Series (NA)

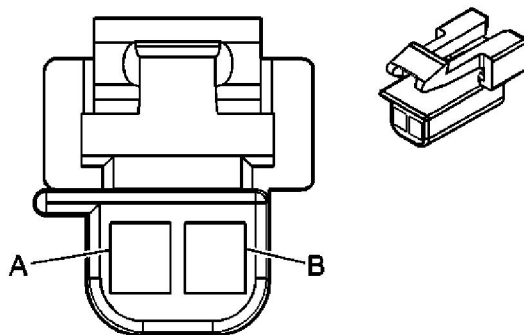
### Terminal Part Information

- | Terminal/Tray: 7116-4021/11
- | Core/Insulation Crimp: 2/A
- | Release Tool/Test Probe: 15315247/J-35616-18 (BK)

### Speaker - Left Subwoofer (UQ7)

Pin	Wire Color	Circuit No.	Function
A	1.25 D-BU/WH	346	Left Rear Subwoofer Speaker Output (+)
B	1.25 L-GN/BK	1794	Left Rear Subwoofer Speaker Output (-)

### Speaker - Right Front (UQ7)



### Connector Part Information

- | OEM: 12064869
- | Service: See Catalog
- | Description: 2-Way F

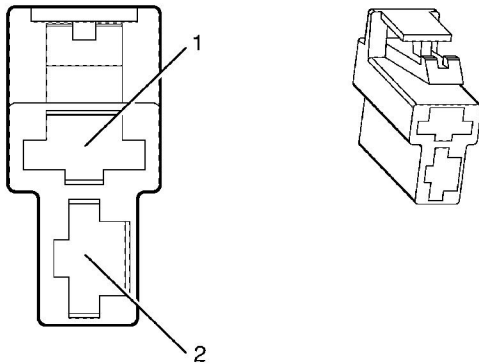
### Terminal Part Information

- | Terminal/Tray: See Terminal Repair Kit
- | Core/Insulation Crimp: See Terminal Repair Kit
- | Release Tool/Test Probe: See Terminal Repair Kit

### Speaker - Right Front (UQ7)

Pin	Wire Color	Circuit No.	Function
A	0.5 D-GN	117	Right Front Speaker Output (-)
B	0.5 L-GN	200	Right Front Speaker Output (+) (LHD)

### Speaker - Right Front (UW5 or U65)



### Connector Part Information

- | OEM: 7123-2825
- | Service: See Catalog
- | Description: 2-Way F (WH)

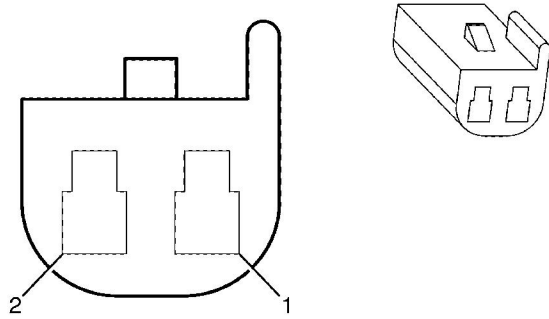
### Terminal Part Information

- | Terminal/Tray: 7116-2640-02/12
- | Core/Insulation Crimp: C/B
- | Release Tool/Test Probe: 12094430/J-35616-42 (RD)

### Speaker - Right Front (UW5 or U65)

Pin	Wire Color	Circuit No.	Function
1	0.5 D-GN	117	Right Front Speaker Output (-)
2	0.5 L-GN	200	Right Front Speaker Output (+)

### Speaker - Right Front Tweeter (U65 or UW5)



- | OEM: 15493098
- | Service: See Catalog
- | Description: 2-Way F (BK)

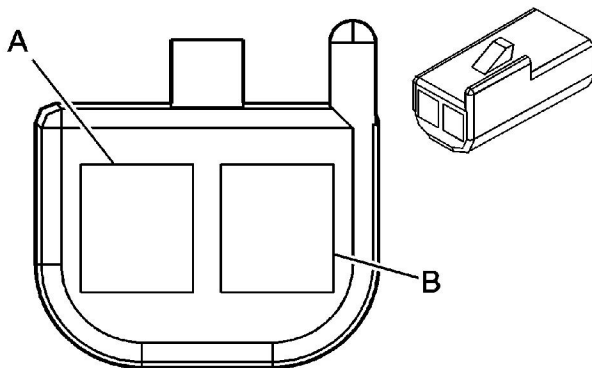
**Terminal Part Information**

- | Terminal/Tray: See Terminal Repair Kit
- | Core/Insulation Crimp: See Terminal Repair Kit
- | Release Tool/Test Probe: See Terminal Repair Kit

**Speaker - Right Front Tweeter (U65 or UW5)**

Pin	Wire Color	Circuit No.	Function
1	0.5 BN	201	Right Front Speaker Output (+)
2	0.3 GY	118	Right Front Speaker Output (-)

**Speaker - Right Front Tweeter (UQ7)**



**Connector Part Information**

- | OEM: 12047662
- | Service: See Catalog

- | Description: 2-Way F

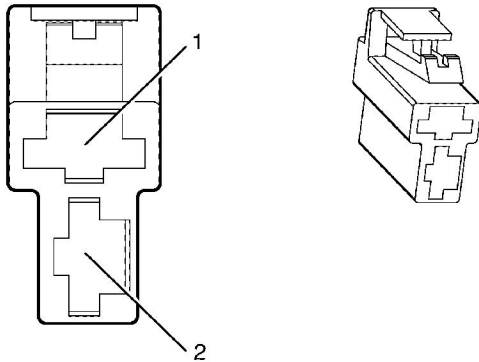
### Terminal Part Information

- | Terminal/Tray: See Terminal Repair Kit
- | Core/Insulation Crimp: See Terminal Repair Kit
- | Release Tool/Test Probe: See Terminal Repair Kit

### Speaker - Right Front Tweeter (UQ7)

Pin	Wire Color	Circuit No.	Function
A	0.85 D-GN	117	Right Front Speaker Output (+)
B	0.85 L-GN	200	Right Front Speaker Output (-)

### Speaker - Right Rear (U65 or UW5)



### Connector Part Information

- | OEM: 7123-2825
- | Service: See Catalog
- | Description: 2-Way F (WH)

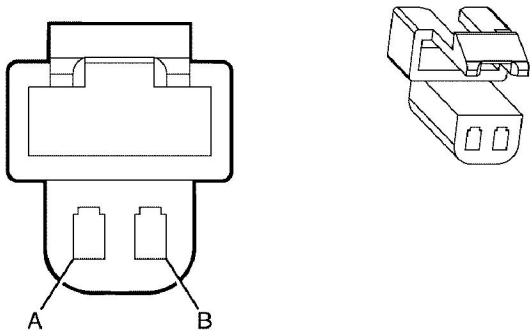
### Terminal Part Information

- | Terminal/Tray: 7116-2640-02/12
- | Core/Insulation Crimp: C/B
- | Release Tool/Test Probe: 12094430/J-35616-42 (RD)

### Speaker - Right Rear (U65 or UW5)

Pin	Wire Color	Circuit No.	Function
1	0.5 L-BU	115	Right Rear Speaker Output (-)
2	0.5 D-BU	46	Right Rear Speaker Output (+)

### Speaker - Right Rear (UQ7)



### Connector Part Information

- | OEM: 15434358
- | Service: See Catalog
- | Description: 2-Way F

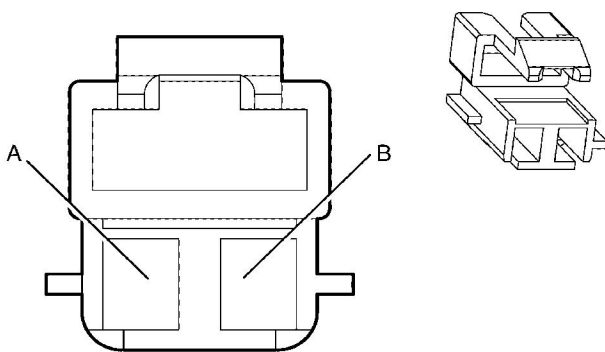
### Terminal Part Information

- | Terminal/Tray: See Terminal Repair Kit
- | Core/Insulation Crimp: See Terminal Repair Kit
- | Release Tool/Test Probe: See Terminal Repair Kit

### Speaker - Right Rear (UQ7)

Pin	Wire Color	Circuit No.	Function
A	0.5 L-BU	115	Right Rear Speaker Output (-)
B	0.5 D-BU	46	Right Rear Speaker Output (+)

### Speaker - Right Subwoofer (UQ7)



### Connector Part Information

- | OEM: 7283-1020

- | Service: See Catalog
- | Description: 2-Way F 090 II Series (NA)

### Terminal Part Information

- | Terminal/Tray: 7116-4021/11
- | Core/Insulation Crimp: 2/A
- | Release Tool/Test Probe: 15315247/J-35616-18 (BK)

### Speaker - Right Subwoofer (UQ7)

Pin	Wire Color	Circuit No.	Function
A	1.25 L-BU/BK	315	Right Rear Subwoofer Speaker Output (+)
B	1.25 D-GN	1795	Right Rear Subwoofer Speaker Output (-)

### Starter Motor X1

#### Terminal Part Information

- | Terminal: 7009-1333-02
- | Core/Insulation Crimp: N/A
- | Description: Ring Terminal

### Starter Motor X1

Pin	Wire Color	Circuit No.	Function
A	3 PU	6	Starter Solenoid Crank Voltage

### Starter Motor X2

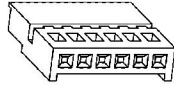
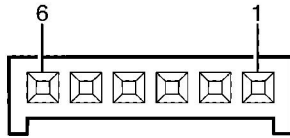
#### Terminal Part Information

- | Terminal: 7003-2601
- | Core/Insulation Crimp: N/A
- | Description: Ring Terminal

### Starter Motor X2

Pin	Wire Color	Circuit No.	Function
A	50 RD	1	Battery Voltage

### Steering Angle Sensor



- | OEM: 7282-7166
- | Service: See Catalog
- | Description: 6-Way F (BK)

### Terminal Part Information

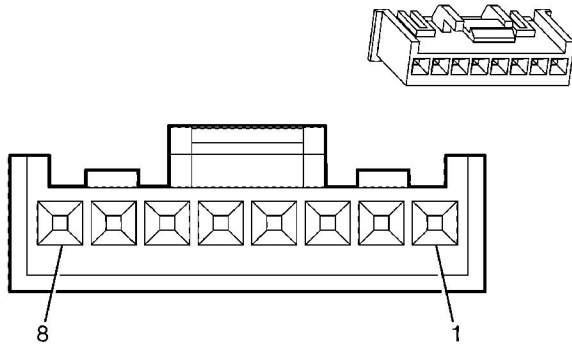
- | Terminal/Tray: 7114-4020/10
- | Core/Insulation Crimp: E/C
- | Release Tool/Test Probe: 15315247/J-35616-19 (BK)

### Steering Angle Sensor

Pin	Wire Color	Circuit No.	Function
1	0.5 PU/BN	2501	High Speed GMLAN Serial Data Bus (-) (without HSV)
	0.35 BN	2501	High Speed GMLAN Serial Data Bus- (HSV)
2	0.5 D-BU/BN	2501	High Speed GMLAN Serial Data Bus (-) (without HSV)
	0.35 BN	2501	High Speed GMLAN Serial Data Bus- (HSV)
3	0.5 GY	2500	High Speed GMLAN Serial Data Bus (+) (without HSV)
	0.35 BN/BK	2500	High Speed GMLAN Serial Data Bus+ (HSV)
4	0.5 BN	2500	High Speed GMLAN Serial Data Bus (+) (without HSV)
	0.35 BN/BK	2500	High Speed GMLAN Serial Data Bus+ (HSV)
5	0.5 L-BU	5986	Communication Enable Relay Supply Voltage (without HSV)
	0.5 L-BU	5986	Communication Enable Relay Supply Voltage (HSV)
6	0.5 OG	2088	Steering Wheel Position Sensor Low Reference (without HSV)
	0.5 BK/BU	2088	Steering Wheel Position Sensor Low Reference (HSV)

### Steering Wheel Controls Switch Assembly





- | OEM: XMR-08V
- | Service: See Catalog
- | Description: 8-Way F (WH)

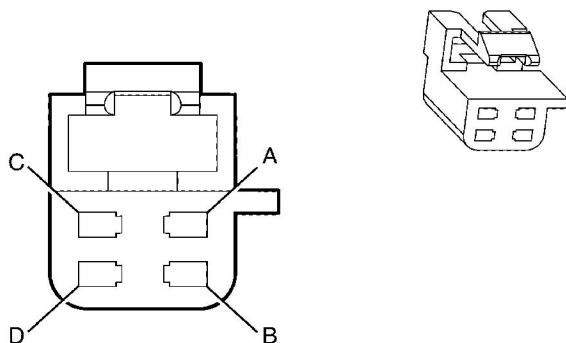
### Terminal Part Information

- | Terminal/Tray: See Terminal Repair Kit
- | Core/Insulation Crimp: See Terminal Repair Kit
- | Release Tool/Test Probe: See Terminal Repair Kit

### Steering Wheel Controls Switch Assembly

Pin	Wire Color	Circuit No.	Function
1	0.3 GY/BU	7367	Steering Wheel Resistor Ladder Right Signal #2
2	0.3 YE	7364	Steering Wheel Resistor Ladder Right Signal #1
3	0.3 BN	7312	Steering Wheel Resistor Ladder Left Signal #1
4	0.3 L-BU	7313	Steering Wheel Resistor Ladder Left Signal #2
5	0.3 D-GN	897	Steering Wheel Controls Low Reference
6	0.3 OG/BK	5201	Steering Wheel Controls Signal
7	0.3 BK	1551	Ground
8	0.3 PU	7005	I/P Dimming Control

### Sunload Sensor (CJ2 or C63)





### Connector Part Information

- | OEM: 7123-9843-30
- | Service: 12085208
- | Description: 4-Way F

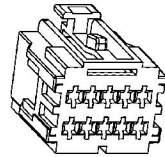
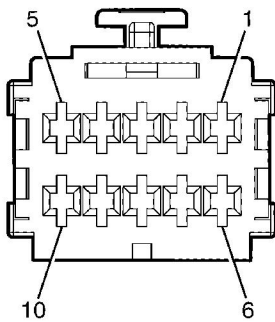
### Terminal Part Information

- | Terminal/Tray: 12064971/5
- | Core/Insulation Crimp: E/C
- | Release Tool/Test Probe: 12094429/J-35616-14 (GN)

### Sunload Sensor (CJ2 or C63)

Pin	Wire Color	Circuit No.	Function
A	0.3 L-BU/BK	7425	Left Solar Sensor
B	0.3 GY	7424	Right Solar Sensor
C	0.3 BK	61	Ground
D	0.3 L-GN/BK	1137	DRL Ambient Light Sensor Signal

### Sunroof Control Module (RHD)



- | OEM: 18101EV
- | Service: See Catalog
- | Description: 10-Way F

### Terminal Part Information

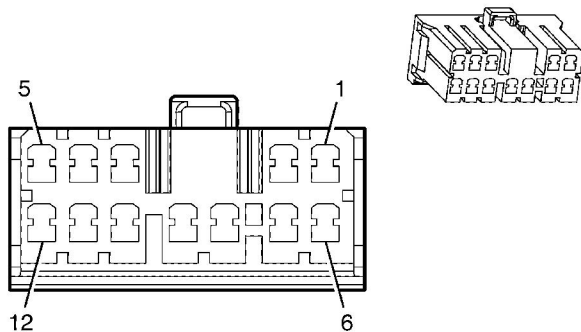
- | Terminal/Tray: See Terminal Repair Kit
- | Core/Insulation Crimp: See Terminal Repair Kit
- | Release Tool/Test Probe: See Terminal Repair Kit

### Sunroof Control Module (RHD)

Pin	Wire Color	Circuit No.	Function
-----	------------	-------------	----------

1	0.5 GY		Sunroof Switch Low Reference
2	0.3 D-GN	5027	Sunroof Switch - Data 1
3	0.3 YE	5028	Sunroof Switch - Data 2
4	0.3 OG	5029	Sunroof Switch - Data 3
5	0.3 WH	5030	Sunroof Switch - Data 4
6	--	--	Not Used
7	1.25 OG/BU	3040	Battery Positive Voltage
8	--	--	Not Used
9	0.5 YE	443	Ignition Voltage 1
10	1.25 BK	850	Ground

## Sunroof Switch (RHD)



- | OEM: 49901221
- | Service: 88953365
- | Description: 6-Way F 0.635 Series (BK)

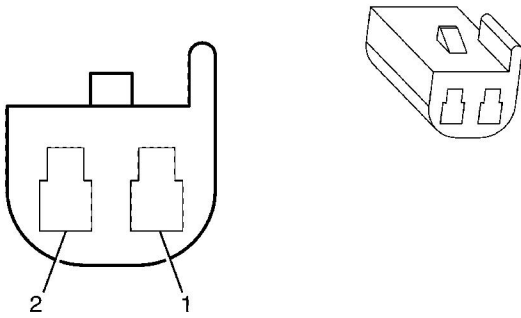
### Terminal Part Information

- | Terminal/Tray: See Terminal Repair Kit
- | Core/Insulation Crimp: See Terminal Repair Kit
- | Release Tool/Test Probe: See Terminal Repair Kit

## Sunroof Switch (RHD)

Pin	Wire Color	Circuit No.	Function
1	0.5 BK	850	Ground
2	0.3 D-GN	5027	Sunroof Switch - Data 1
3	0.3 YE	5028	Sunroof Switch - Data 2
4	--	--	Not Used
5	0.3 OG	5029	Sunroof Switch - Data 3
6	0.3 WH	5030	Sunroof Switch - Data 4

## Sunshade - Left



- | OEM: 12047662
- | Service: See Catalog
- | Description: 2-Way F (BK)

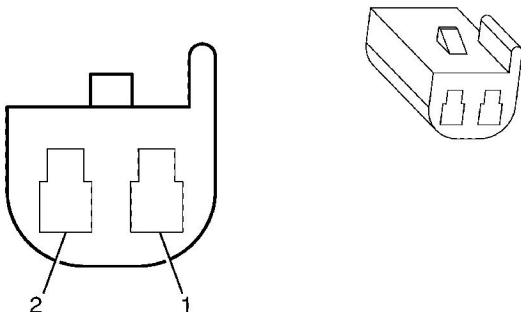
### Terminal Part Information

- | Terminal/Tray: See Terminal Repair Kit
- | Core/Insulation Crimp: See Terminal Repair Kit
- | Release Tool/Test Probe: See Terminal Repair Kit

## Sunshade - Left

Pin	Wire Color	Circuit No.	Function
1	0.5 BK/WH	851	Ground
2	0.5 OG	1732	Courtesy Lamps Supply Voltage

## Sunshade - Right



- | OEM: 12047662
- | Service: See Catalog

- | Description: 2-Way F (BK)

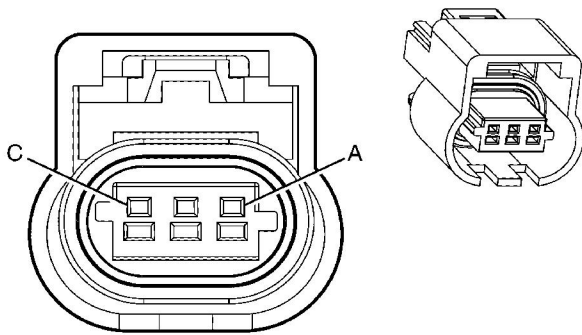
### Terminal Part Information

- | Terminal/Tray: See Terminal Repair Kit
- | Core/Insulation Crimp: See Terminal Repair Kit
- | Release Tool/Test Probe: See Terminal Repair Kit

### Sunshade - Right

Pin	Wire Color	Circuit No.	Function
1	0.5 BK/WH	851	Ground
2	0.5 OG	1732	Courtesy Lamps Supply Voltage

### Suspension Position Sensor - Left Front (HSV)



### Connector Part Information

- | OEM:
- | Service: See Catalog
- | Description: 3-Way F

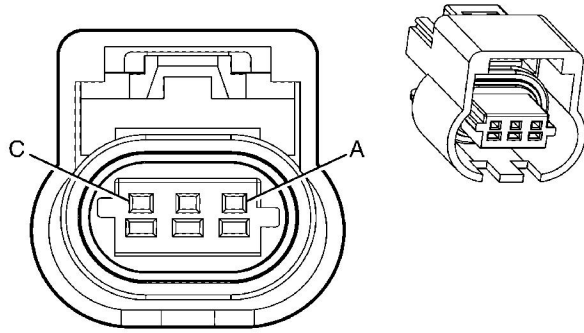
### Terminal Part Information

- | Terminal/Tray: See Terminal Repair Kit
- | Core/Insulation Crimp: See Terminal Repair Kit
- | Release Tool/Test Probe: See Terminal Repair Kit

### Suspension Position Sensor - Left Front (HSV)

Pin	Wire Color	Circuit No.	Function
A	0.35 D-BU/WH	1205	Left Front Suspension Position Sensor Voltage Reference
B	0.35 D-BU	1207	Left Front Suspension Position Sensor Signal
C	0.35 D-BU/BK	1206	Left Front Suspension Position Sensor Low Reference

### Suspension Position Sensor - Left Rear (HSV)



### Connector Part Information

- | OEM:
- | Service: See Catalog
- | Description: 3-Way F

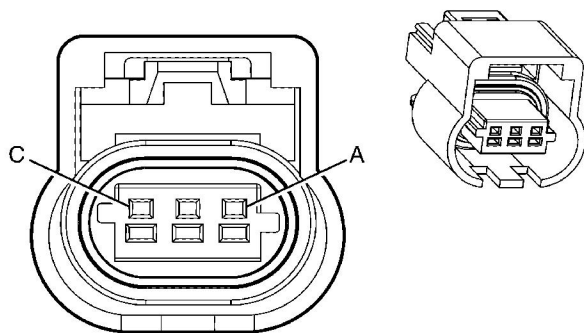
### Terminal Part Information

- | Terminal/Tray: See Terminal Repair Kit
- | Core/Insulation Crimp: See Terminal Repair Kit
- | Release Tool/Test Probe: See Terminal Repair Kit

### Suspension Position Sensor - Left Rear (HSV)

Pin	Wire Color	Circuit No.	Function
A	0.35 GY/WH	1208	Left Rear Suspension Position Sensor Voltage Reference
B	0.35 GY	1210	Left Rear Suspension Position Sensor Signal
C	0.35 GY/BK	1209	Left Rear Suspension Position Sensor Low Reference

### Suspension Position Sensor - Right Front (HSV)



### Connector Part Information

- | OEM:
- | Service: See Catalog
- | Description: 3-Way F

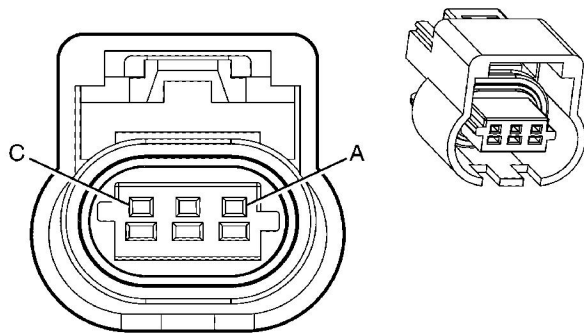
### Terminal Part Information

- | Terminal/Tray: See Terminal Repair Kit
- | Core/Insulation Crimp: See Terminal Repair Kit
- | Release Tool/Test Probe: See Terminal Repair Kit

### Suspension Position Sensor - Right Front (HSV)

Pin	Wire Color	Circuit No.	Function
A	0.35 D-GN/WH	1211	Right Front Suspension Position Sensor Voltage Reference
B	0.35 D-GN	1213	Right Front Suspension Position Sensor Signal
C	0.35 D-GN/BK	1212	Right Front Suspension Position Sensor Low Reference

### Suspension Position Sensor - Right Rear (HSV)



### Connector Part Information

- | OEM:
- | Service: See Catalog
- | Description: 3-Way F

### Terminal Part Information

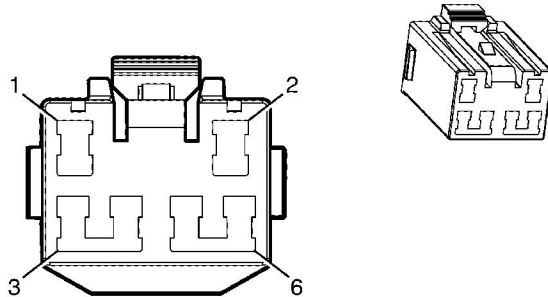
- | Terminal/Tray: See Terminal Repair Kit
- | Core/Insulation Crimp: See Terminal Repair Kit
- | Release Tool/Test Probe: See Terminal Repair Kit

### Suspension Position Sensor - Right Rear (HSV)

Pin	Wire Color	Circuit No.	Function
A	0.35 BN/WH	1214	Right Rear Suspension Position Sensor Voltage Reference

B	0.35 BN	1216	Right Rear Suspension Position Sensor Signal
C	0.35 BN/BK	1215	Right Rear Suspension Position Sensor Low Reference

## Tail Lamp - Left (without HSV or VXR8)



### Connector Part Information

- | OEM:
- | Service: See Catalog
- | Description: 6-Way F

### Terminal Part Information

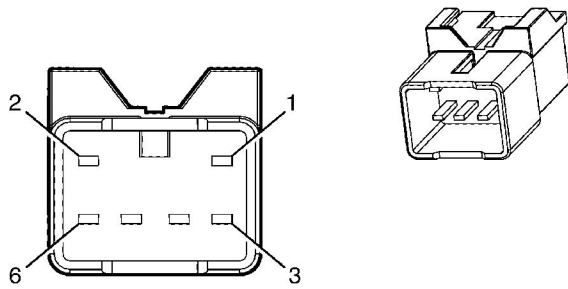
- | Terminal/Tray: See Terminal Repair Kit
- | Core/Insulation Crimp: See Terminal Repair Kit
- | Release Tool/Test Probe: See Terminal Repair Kit

## Tail Lamp - Left (without HSV or VXR8)

Pin	Wire Color	Circuit No.	Function
1	0.85 BK/WH	1851	Ground
2	0.85 BK	1850	Ground
3	0.85 PU	709	Left Park Lamp Supply Voltage
4	0.85 L-BU	20	Stop Lamp Switch Signal
5	0.85 L-GN	24	Backup Lamp Supply Voltage
6	0.85 YE/BK	1334	Left Rear Turn Signal Lamp Supply Voltage

## Tail Lamp - Left (HSV or VXR8)





### Connector Part Information

- | OEM:
- | Service: See Catalog
- | Description: 6-Way F

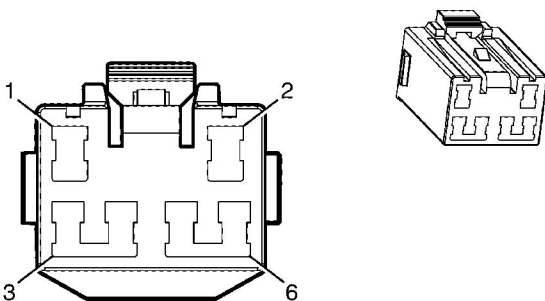
### Terminal Part Information

- | Terminal/Tray: See Terminal Repair Kit
- | Core/Insulation Crimp: See Terminal Repair Kit
- | Release Tool/Test Probe: See Terminal Repair Kit

### Tail Lamp - Left (HSV or VXR8)

Pin	Wire Color	Circuit No.	Function
1	0.85 BK/WH	1851	Ground
2	0.85 BK	1850	Ground
3	0.85 PU	709	Left Park Lamp Supply Voltage
4	0.85 L-BU	20	Stop Lamp Switch Signal
5	0.85 L-GN	24	Backup Lamp Supply Voltage
6	0.85 YE/BK	1334	Left Rear Turn Signal Lamp Supply Voltage

### Tail Lamp - Right (without HSV or VXR8)





## Connector Part Information

- | OEM:
- | Service: See Catalog
- | Description: 6-Way F

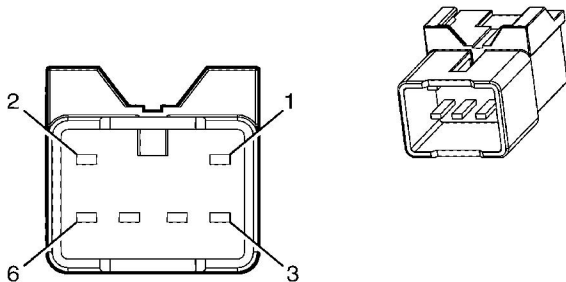
## Terminal Part Information

- | Terminal/Tray: See Terminal Repair Kit
- | Core/Insulation Crimp: See Terminal Repair Kit
- | Release Tool/Test Probe: See Terminal Repair Kit

### Tail Lamp - Right (without HSV or VXR8)

Pin	Wire Color	Circuit No.	Function
1	0.85 BK/WH	1851	Ground
2	0.85 BK	1850	Ground
3	0.85 BN/WH	709	Right Park Lamp Supply Voltage
4	0.85 L-BU	20	Stop Lamp Switch Signal
5	0.85 L-GN	24	Backup Lamp Supply Voltage
6	0.85 D-GN/WH	1335	Right Rear Turn Signal Lamp Supply Voltage

### Tail Lamp - Right (HSV or VXR8)



## Connector Part Information

- | OEM:
- | Service: See Catalog
- | Description: 6-Way F

## Terminal Part Information

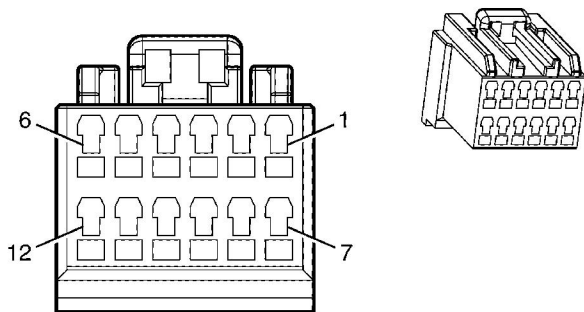
- | Terminal/Tray: See Terminal Repair Kit
- | Core/Insulation Crimp: See Terminal Repair Kit

| Release Tool/Test Probe: See Terminal Repair Kit

### Tail Lamp - Right (HSV or VXR8)

Pin	Wire Color	Circuit No.	Function
1	0.85 BK/WH	1851	Ground
2	0.85 BK	1850	Ground
3	0.85 BN/WH	709	Right Park Lamp Supply Voltage
4	0.85 L-BU	20	Stop Lamp Switch Signal
5	0.85 L-GN	24	Backup Lamp Supply Voltage
6	0.85 D-GN/WH	1335	Right Rear Turn Signal Lamp Supply Voltage

### Telematics Module X1 (RHD)



#### Connector Part Information

- | OEM: 175965-2
- | Service: See Catalog
- | Description: 12-Way F

#### Terminal Part Information

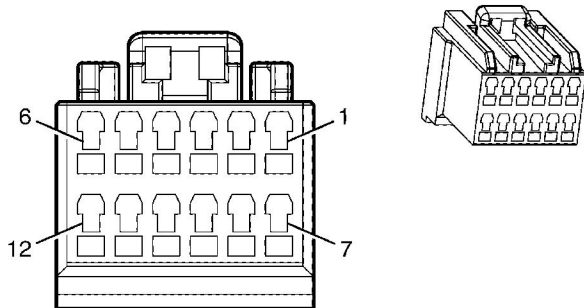
- | Terminal/Tray: See Terminal Repair Kit
- | Core/Insulation Crimp: See Terminal Repair Kit
- | Release Tool/Test Probe: See Terminal Repair Kit

### Telematics Module X1 (RHD)

Pin	Wire Color	Circuit No.	Function
1	0.5 BK	1050	Ground
2	--	--	Not Used
3	0.3 L-GN	5060	Low Speed GMLAN Serial Data
4-6	--	--	Not Used
7	0.5 OG/WH	2340	Battery Positive Voltage

8	0.3 YE/BK	2516	Keypad Green LED Signal
9	0.3 BN/WH	2517	Keypad Red LED Signal
10-12	--	--	Not Used

## Telematics Module X2 (RHD)



### Connector Part Information

- | OEM: 175966-2
- | Service: See Catalog
- | Description: 16-Way F

### Terminal Part Information

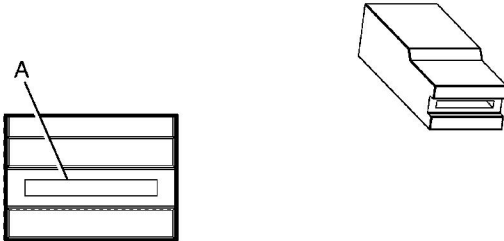
- | Terminal/Tray: See Terminal Repair Kit
- | Core/Insulation Crimp: See Terminal Repair Kit
- | Release Tool/Test Probe: See Terminal Repair Kit

## Telematics Module X2 (RHD)

Pin	Wire Color	Circuit No.	Function
13	0.3 D-GN/WH	2514	Keypad Signal
14	--	--	Not Used
15	0.3 L-BU	1405	Telephone Audio Signal (+)
16	0.3 OG/BK	1406	Telephone Audio Signal (-)
17	0.3 L-BU	1405	Telephone Audio Signal (+)
18	0.3 PK	654	Cellular Telephone Microphone Low Reference
19	0.3 D-GN	655	Cellular Microphone Signal
20	0.5 TN	1860	Left Front Speaker Output (+)
	0.5 OG	1860	Front Center Speaker Output (+)
21	0.3 L-GN/BK	2515	Keypad Supply Voltage
22	0.5 PK	1339	Ignition 1 Voltage
23	0.3 WH	700	Telephone Audio Signal Mute

24	--	--	Not Used
25	0.3 OG/BK	1406	Telephone Audio Signal (-)
26-27	--	--	Not Used
28	0.5 GY	1960	Left Front Speaker Output (-)
	0.5 L-BU	1960	Front Center Speaker Output (-)

## Theft Deterrent Alarm Siren X1



- | OEM: 7183-0073-30
- | Service: See Catalog
- | Description: 1-Way F (BK)

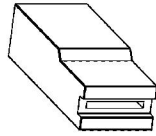
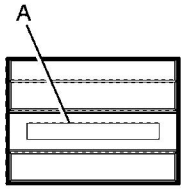
### Terminal Part Information

- | Terminal/Tray: See Terminal Repair Kit
- | Core/Insulation Crimp: See Terminal Repair Kit
- | Release Tool/Test Probe: See Terminal Repair Kit

## Theft Deterrent Alarm Siren X1

Pin	Wire Color	Circuit No.	Function
A	0.75 D-GN	1149	Content Theft Horn Control

## Theft Deterrent Alarm Siren X2



- | OEM: 7183-0073-30
- | Service: See Catalog
- | Description: 1-Way F (BK)

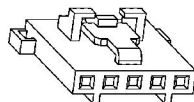
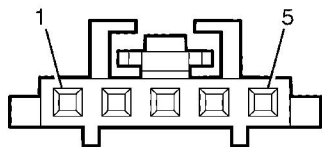
**Terminal Part Information**

- | Terminal/Tray: See Terminal Repair Kit
- | Core/Insulation Crimp: See Terminal Repair Kit
- | Release Tool/Test Probe: See Terminal Repair Kit

**Theft Deterrent Alarm Siren X2**

Pin	Wire Color	Circuit No.	Function
A	0.75 BK	350	Ground

**Theft Deterrent Module (TDM)**



- | OEM: 7183-2179-30
- | Service: See Catalog
- | Description: 5-Way F (BK)

**Terminal Part Information**

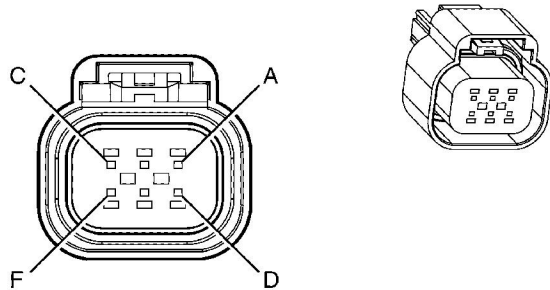
- | Terminal/Tray: 16-02-1110/20

- | Core/Insulation Crimp: H/H
- | Release Tool/Test Probe: J-38125-213/J-35616-64B (L-BU)

### Theft Deterrent Module (TDM)

Pin	Wire Color	Circuit No.	Function
1	0.3 OG/BK	1040	Battery Positive Voltage
2	0.3 BN	4	Ignition 1 Voltage
3	0.3 BK	850	Ground
4	--	--	Not Used
5	0.35 D-GN	9206	Low Speed GMLAN Serial Data

### Throttle Body



- | OEM: 7283-3529-30
- | Service: 19115594
- | Description: 6-Way F (BK)

### Terminal Part Information

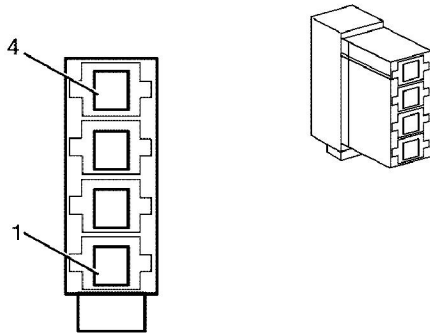
- | Pins: A, B
- | Terminal/Tray: See Terminal Repair Kit
- | Core/Insulation Crimp: See Terminal Repair Kit
- | Release Tool/Test Probe: See Terminal Repair Kit
  
- | Pins: C-F
- | Terminal/Tray: 15326427/5
- | Core/Insulation Crimp: E/A
- | Release Tool/Test Probe: 15315247/J-35616-2A (GY)

### Throttle Body

Pin	Wire Color	Circuit No.	Function
A	0.75 BN	582	TAC Motor Control - 2
B	0.75 YE	581	TAC Motor Control - 1
C	0.5 BN/BK	2752	Low Reference

D	0.5 D-GN	485	TP Sensor 1 Signal
E	0.5 GY	2701	5-Volt Reference
F	0.5 PU	486	TP Sensor 2 Signal

## Tilt Sensor



### Connector Part Information

- | OEM:
- | Service: See Catalog
- | Description: 4-Way F

### Terminal Part Information

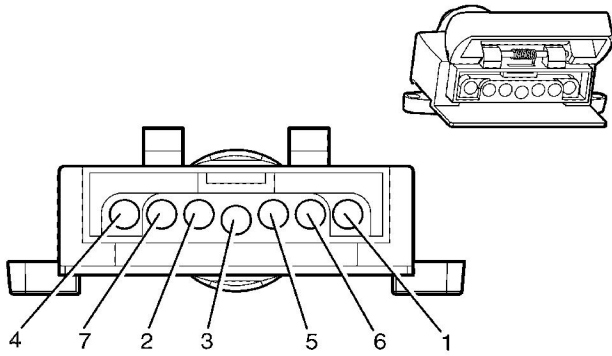
- | Terminal/Tray: See Terminal Repair Kit
- | Core/Insulation Crimp: See Terminal Repair Kit
- | Release Tool/Test Probe: See Terminal Repair Kit

## Tilt Sensor

Pin	Wire Color	Circuit No.	Function
1	0.35 BK	9	Alarm Control Module Power Control
2	--	--	Not Used
3	0.35 BK	4	Inclination Sensor Signal
4	0.35 BK	6	Ground

## Trailer Connector





### Connector Part Information

- | OEM:
- | Service: See Catalog
- | Description: 7-Way F

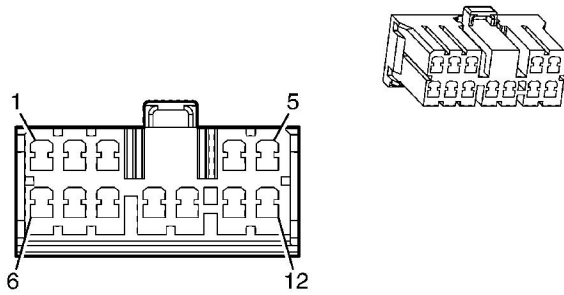
### Terminal Part Information

- | Terminal/Tray: See Terminal Repair Kit
- | Core/Insulation Crimp: See Terminal Repair Kit
- | Release Tool/Test Probe: See Terminal Repair Kit

### Trailer Connector

Pin	Wire Color	Circuit No.	Function
1	0.35 YE	1	Left Indicator Output
2	0.35 BK	2	Backup Output
3	0.35 WH	19	Ground
4	0.35 D-GN	19	Right Indicator Output
5	0.35 D-BU	4	Trailer Brake Output
6	0.35 RD	5	Stop Output
7	0.35 BN	6	Park Output
8	0.35 WH	7	Ground
9	0.35 GY	30	Object Detection/Rear Park Assist Ground

### Trailer Harness Control Module



### Connector Part Information

- | OEM: 7123-1423
- | Service: See Catalog
- | Description: 12-Way F

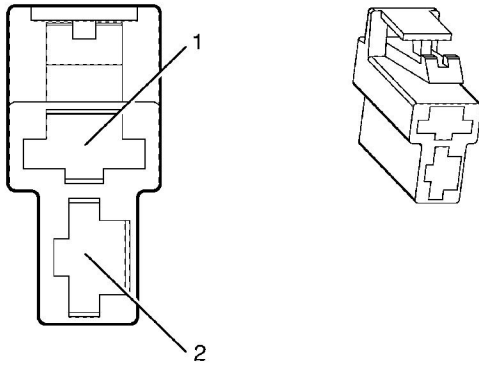
### Terminal Part Information

- | Terminal/Tray: See Terminal Repair Kit
- | Core/Insulation Crimp: See Terminal Repair Kit
- | Release Tool/Test Probe: See Terminal Repair Kit

### Trailer Harness Control Module

Pin	Wire Color	Circuit No.	Function
1	0.35 RD	6	Stop Output
2	0.35 BN	7	Park Output
3	0.35 WH	19	Ground
4	0.35 BN/WH	309	Right Park lamp Supply Voltage
5	0.35 L-BU	20	Stop Lamp Supply Voltage
6	0.35 RD/WH	4440	Battery Positive Voltage
7	0.35 D-GN	4	Right Indicator Output
8	0.35 YE	1	Left Indicator Output
9	0.35 YE/BK	1334	Left Rear Turn Signal Lamp Supply Voltage
10	0.35 D-GN/WH	1335	Right Rear Turn Signal Supply Voltage
11	0.35 BK	2	Backup Output
12	0.35 L-GN	24	Backup Supply Voltage

### Trailer Patch Harness Electrical Brake Connector



### Connector Part Information

- | OEM: 7123-2825
- | Service: See Catalog
- | Description: 2-Way F (WH)

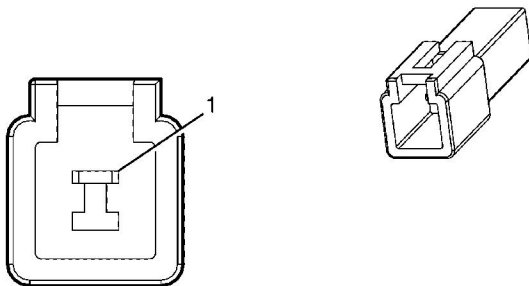
### Terminal Part Information

- | Terminal/Tray: 7116-2640-02/12
- | Core/Insulation Crimp: C/B
- | Release Tool/Test Probe: 12094430/J-35616-42 (RD)

### Trailer Patch Harness Electrical Brake Connector

Pin	Wire Color	Circuit No.	Function
1	0.35 BK	5	Electric Brakes
2	0.35 RD	6	Trailer Stop

### Trailer Presence Connector



### Connector Part Information

- | OEM: 7282-7014

- | Service: See Catalog
- | Description: 1-Way M (WH)

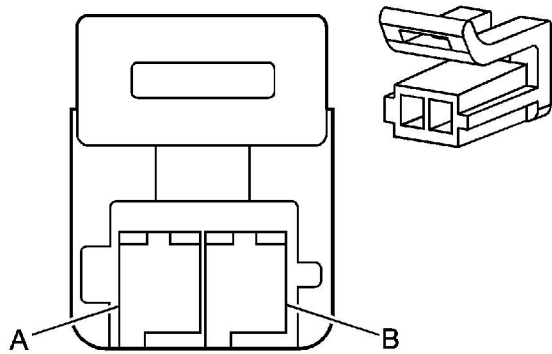
**Terminal Part Information**

- | Terminal/Tray: See Terminal Repair Kit
- | Core/Insulation Crimp: See Terminal Repair Kit
- | Release Tool/Test Probe: See Terminal Repair Kit

**Trailer Presence Connector**

Pin	Wire Color	Circuit No.	Function
1	0.35 GY	30	Object Detection/Rear Park Assist Ground

**Torque Converter Clutch (TCC) Pulse Width Modulation (PWM) Solenoid Valve**



**Connector Part Information**

- | OEM: 12162202
- | Service: See Catalog
- | Description: 2-Way F Metri-Pack 150.2 Series, Pull To Seat (BU)

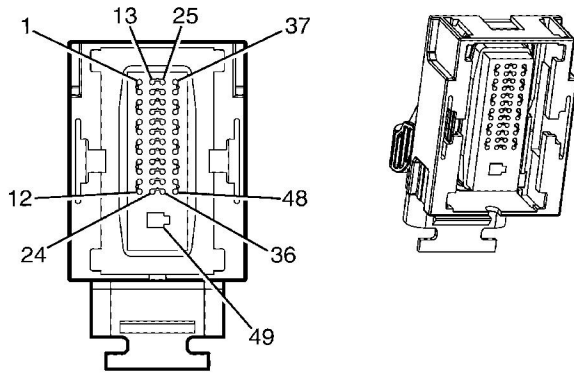
**Terminal Part Information**

- | Terminal/Tray: See Terminal Repair Kit
- | Core/Insulation Crimp: See Terminal Repair Kit
- | Release Tool/Test Probe: See Terminal Repair Kit

**Torque Converter Clutch (TCC) Pulse Width Modulation (PWM) Solenoid Valve**

Pin	Wire Color	Circuit No.	Function
A	0.5 YE	418	TCC PWM Solenoid Valve Control
B	0.5 WH	1525	Clutch Pressure Control Solenoid Valve 1 High Control

**Transmission Control Module (TCM) (M30 or M32)**



- | OEM: 15463921
- | Service: See Catalog
- | Description: 49-Way F

### Terminal Part Information

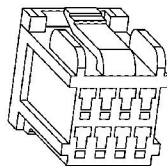
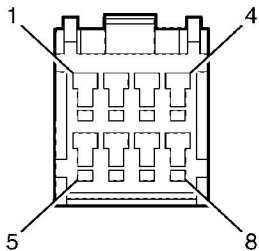
- | Terminal/Tray: See Terminal Repair Kit
- | Core/Insulation Crimp: See Terminal Repair Kit
- | Release Tool/Test Probe: See Terminal Repair Kit

### Transmission Control Module (TCM) (M30 or M32)

Pin	Wire Color	Circuit No.	Function
1	0.5 BN	418	TCC PWM Solenoid Valve Control
2	0.5 L-GN	1222	Shift Solenoid A Valve Control
3	0.5 OG	1983	Transmission Turbine Speed Switch Signal
4-5	--	--	Not Used
6	0.5 BN	2501	High Speed GMLAN Serial Data Bus-
7	0.5 BN/BK	2500	High Speed GMLAN Serial Data Bus+
8-10	--	--	Not Used
11	0.5 D-BU	5985	TCM Accessory Signal
12-13	--	--	Not Used
14	0.5 WH/GN	687	3-2 Shift Solenoid Valve Control
15	--	--	Not Used
16	0.5 L-GN/BK	822	OSS Low Signal
17	0.5 L-BU/WH	1229	PC Solenoid Valve Low Control
18-19	--	--	Not Used
20	0.5 YE/BK	1223	Shift Solenoid B Valve Control
21-22	--	--	Not Used
23	0.5 GY	773	Transmission Range Switch Signal C
24	0.5 PK	1224	Transmission Fluid Pressure Switch Signal A
25	0.5 BN/OG	422	TCC Solenoid Valve Control
26-28	--	--	Not Used

29	0.5 BN/YE	771	Transmission Range Switch Signal A
30	0.5 BN/WH	2762	Low Reference
31	0.5 PK	439	Ignition 1 Voltage
32	0.75 OG/YE	3640	Battery Positive Voltage
33	0.5 OG	1226	Transmission Fluid Pressure Switch Signal C
34	--	--	Not Used
35	0.5 YE/BK	1227	TFT Sensor Signal
36	--	--	Not Used
37	0.5 BN	2501	High Speed GMLAN Serial Data Bus-
38	0.5 BN/BK	2500	High Speed GMLAN Serial Data Bus+
39	0.5 WH	776	Transmission Range Switch Signal P
40	0.5 OG/BK	1228	PC Solenoid Valve High Control
41	0.5 PU/WH	821	OSS High Signal
42	0.5 WH/BU	17	Stop Lamp Switch Signal
43	--	--	Not Used
44	0.5 D-BU	1225	Transmission Fluid Pressure Switch Signal B
45	0.5 L-BU	1984	Transmission Turbine Speed Switch Low Reference
46	0.5 YE	772	Transmission Range Switch Signal B
47-48	--	--	Not Used
49	0.75 BK	450	Ground

## Turn Signal/Multifunction Switch



### Connector Part Information

- | OEM: 7123-1685
- | Service: See Catalog
- | Description: 8-Way F 040 Multilock Series (WH)

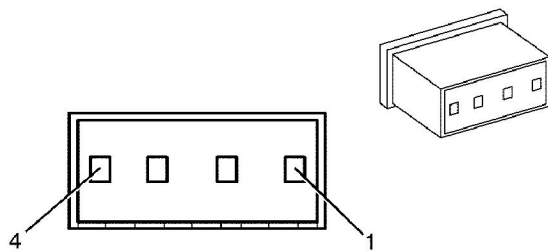
### Terminal Part Information

- | Terminal/Tray: 173681-2/17
- | Core/Insulation Crimp: E/4
- | Release Tool/Test Probe: 15315247/J-35616-16 (L-GN)

### Turn Signal/Multifunction Switch

Pin	Wire Color	Circuit No.	Function
1	0.3 BK	850	Ground
2	0.3 BN/RD	1356	Flash To Pass Switch Signal
3	0.3 PU/YE	524	Headlamp Dimmer Switch High Beam Signal
4	0.3 BK	850	Ground
5	0.5 GY	1884	Cruise Control Switch Signal
6	0.3 PU	1375	Steering Wheel Control Supply Voltage
7	0.3 D-BU/WH	1415	Right Front Turn Signal Switch Signal
8	0.3 L-BU/WH	1414	Left Front Turn Signal Switch Signal

### Ultrasonic Sensor Control Module



#### Connector Part Information

- | OEM:
- | Service: See Catalog
- | Description: 4-Way F

#### Terminal Part Information

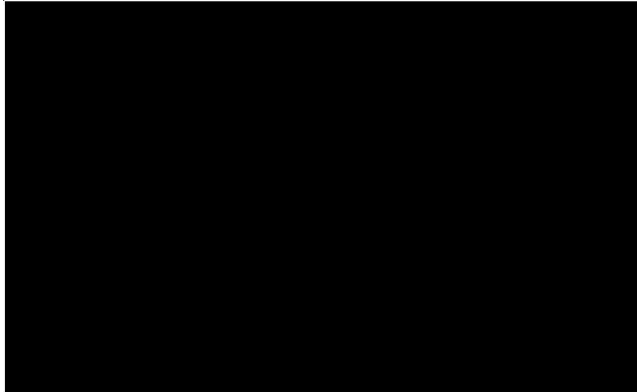
- | Terminal/Tray: See Terminal Repair Kit
- | Core/Insulation Crimp: See Terminal Repair Kit
- | Release Tool/Test Probe: See Terminal Repair Kit

### Ultrasonic Sensor Control Module

Pin	Wire Color	Circuit No.	Function
1	0.35 BK	9	Alarm Control Module Power Control
2	0.35 BK	7	Intrusion Sensor Signal

3	0.35 BK	6	Ground
4	--	--	Not Used

## Valve Lifter Oil Manifold (VLOM) Assembly



### Connector Part Information

- | OEM: 7287-1418
- | Service: See Catalog
- | Description: 5-Way F

### Terminal Part Information

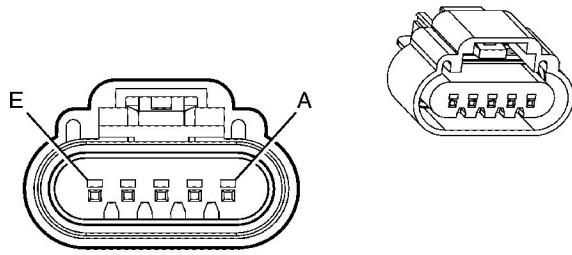
- | Terminal/Tray: 12124075/5
- | Core/Insulation Crimp: E/C
- | Release Tool/Test Probe: 12180559-1/J-35616-14 (GN)

## Valve Lifter Oil Manifold (VLOM) Assembly

Pin	Wire Color	Circuit No.	Function
A	0.75 OG	5494	Cylinder Shut Off Solenoid 4
B	0.75 GY	5493	Cylinder Shut Off Solenoid 3
C	0.75 D-BU	5491	Cylinder Shut Off Solenoid 1
D	0.75 D-GN/BK	5492	Cylinder Shut Off Solenoid 2
E	0.75 PK/BU	5293	Ignition 1 Voltage

## Variable Intake Manifold (VIM) Module





### Connector Part Information

- | OEM: 7283-6997-30
- | Service: See Catalog
- | Description: 5-Way F (BK)

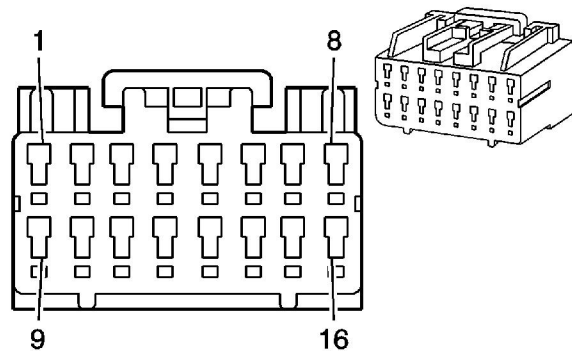
### Terminal Part Information

- | Terminal/Tray: 12191819/8
- | Core/Insulation Crimp: E/A
- | Release Tool/Test Probe: 15315247/J-35616-2A (GY)

### Variable Intake Manifold (VIM) Module

Pin	Wire Color	Circuit No.	Function
A	0.75 PK/BU		Ignition 1 Voltage
B	0.75 BN		PWM_OUT
C	0.75 PU/BK		PWR_RTN
D	0.75 L-BU/WH		PWM
E	0.75 BK		Ground

### Vehicle Communication Interface Module (VCIM) X1





## Connector Part Information

- | OEM: 7283-1766
- | Service: See Catalog
- | Description: 16-Way F (WH)

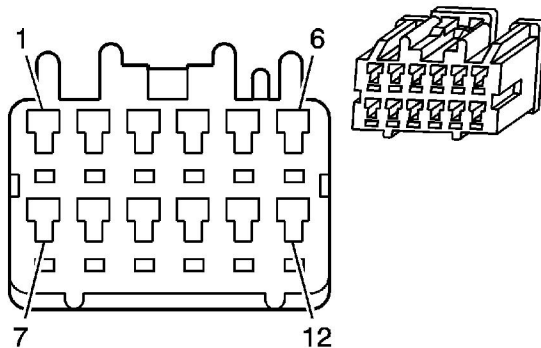
## Terminal Part Information

- | Terminal/Tray: 175266-5/15
- | Core/Insulation Crimp: K/K
- | Release Tool/Test Probe: 15315247/J-35616-16 (L-GN)

## Vehicle Communication Interface Module (VCIM) X1

Pin	Wire Color	Circuit No.	Function
1	0.35 D-GN	5060	Low Speed GMLAN Serial Data
2	0.3 BN/WH	2517	Keypad Red LED Signal
3	0.3 YE/BK	2516	Keypad Green LED Signal
4-5	--	--	Not Used
6	0.3 L-GN/BK	2515	Keypad Supply Voltage
7	0.5 BK	1050	Ground
8-9	--	--	Not Used
10	0.5 BN/BK	9008	High Speed GMLAN Serial Data Bus+
11	0.3 GN/WH	2514	Keypad Signal
12	0.5 BN	9009	High Speed GMLAN Serial Data Bus-
13	0.5 YE/BK	950	VCIM Battery Low Reference
14	0.5 BN/WH	9940	VCIM Battery Power
15	0.5 OG	3340	Battery Positive Voltage
16	--	--	Not Used

## Vehicle Communication Interface Module (VCIM) X2





### Connector Part Information

- | OEM: 7283-8621
- | Service: See Catalog
- | Description: 12-Way F (WH)

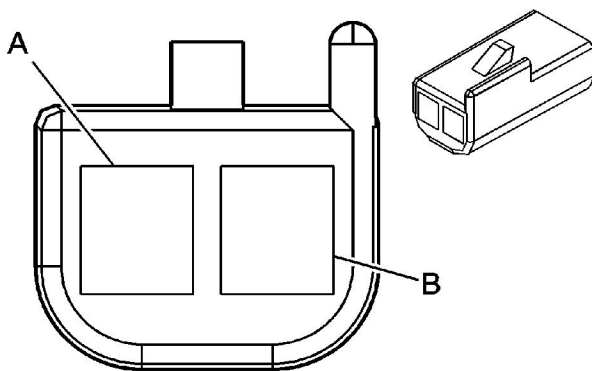
### Terminal Part Information

- | Terminal/Tray: 175266-5/15
- | Core/Insulation Crimp: J/J
- | Release Tool/Test Probe: 15315247J-35616-16 (L-GN)

### Vehicle Communication Interface Module (VCIM) X2

Pin	Wire Color	Circuit No.	Function
1	0.3 D-BU	658	Cellular Telephone Voice Signal
2	0.3 L-BU	659	Cellular Telephone Voice Low Reference
3	0.5 BN/BK	9010	High Speed GMLAN Serial Data Bus+
4	0.5 BN	9011	High Speed GMLAN Serial Data Bus-
5-7	--	--	Not Used
8	0.5 BK	--	Ground
9	0.3 D-GN	0655	Cellular Microphone Signal
10	0.3 BK	1782	Drain Wire
11	--	--	Not Used
12	0.3 WH	700	Telephone Audio Signal Mute

### Vehicle Communication Interface Module (VCIM) Battery



### Connector Part Information

- | OEM: 7123-8328-30
- | Service: 12085535

- | Description: 2-Way F (BK)

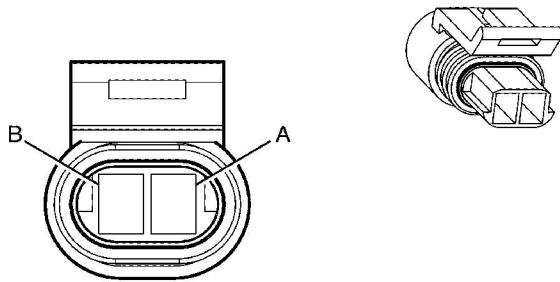
### Terminal Part Information

- | Terminal/Tray: 12064971/5
- | Core/Insulation Crimp: E/C
- | Release Tool/Test Probe: 12094429/J-35616-14 (GN)

### Vehicle Communication Interface Module (VCIM) Battery

Pin	Wire Color	Circuit No.	Function
A	0.5 BN/WH	9940	VCIM Battery Power
B	0.5 YE/BK	950	VCIM Battery Low Reference

### Vehicle Speed Sensor (VSS)



### Connector Part Information

- | OEM: 12162195
- | Service: See Catalog
- | Description: 2-Way F

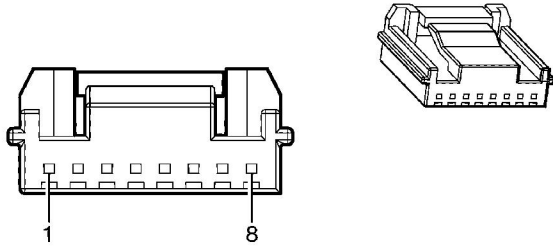
### Terminal Part Information

- | Terminal/Tray: See Terminal Repair Kit
- | Core/Insulation Crimp: See Terminal Repair Kit
- | Release Tool/Test Probe: See Terminal Repair Kit

### Vehicle Speed Sensor (VSS)

Pin	Wire Color	Circuit No.	Function
A	0.5 PU/WH	821	OSS High Signal
B	0.5 L-GN/BK	822	OSS Low Signal

### Video Display



## Connector Part Information

- | OEM: LMAO151400A
- | Service: See Catalog
- | Description:

## Terminal Part Information

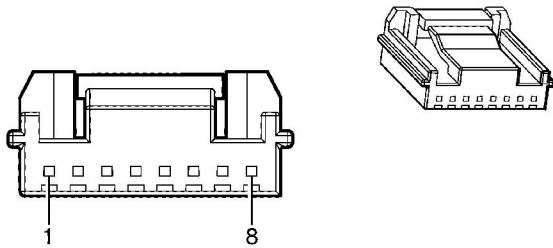
- | Terminal/Tray: See Terminal Repair Kit
- | Core/Insulation Crimp: See Terminal Repair Kit
- | Release Tool/Test Probe: See Terminal Repair Kit

## Video Display

Pin	Wire Color	Circuit No.	Function
1	0.18 YE	6889	Battery Positive (LHD)
	0.18 OG	6889	Battery Positive (RHD)
2	--	--	Not Used
3	0.18 PU	6903	Ground (LHD)
	0.18 L-BU	6903	Ground (RHD)
4	--	--	Not Used
5	0.18 GY	6900	RSTX / DVTX DVDIN / TX (LHD)
	0.18 YE	6900	RSTX / DVTX DVDIN / TX (RHD)
6	0.18 D-BU	6901	RSRX / RS485RX / RX (LHD)
	0.18 D-GN	6901	RSRX / RS485RX / RX (RHD)
7	0.18 BARE	6904	Drain Wire (LHD)
8	--	--	Not Used
9	0.18 WH	6890	DVD Audio Left Signal (+) (LHD)
	0.18 L-GN	6890	DVD Audio Left Signal (+) (RHD)
10	0.18 WH	6892	DVD Audio Left Signal (-) (LHD)
	0.18 L-GN	6892	DVD Audio Left Signal (-)
11	0.18 RD	6891	DVD Audio Right Signal (+) (LHD)
	0.18 D-GN/WH	6891	DVD Audio Right Signal (+) (RHD)
	0.18 RD	6979	DVD Audio Right Signal (-) (LHD)

12	0.18 D-GN/WH	6979	DVD Audio Right Signal (-) (RHD)
13	0.18 BK	7394	DVD Video Signal (-) (LHD)
	0.18 WH	7394	DVD Video Signal (-) (RHD)
14	0.18 BK	7396	DVD Video Signal (+) (LHD)
	0.18 WH	7396	DVD Video Signal (+) (RHD)

## Video Display - Left Seat Headrest X1



### Connector Part Information

- | OEM: LMA0151400A
- | Service: See Catalog
- | Description:

### Terminal Part Information

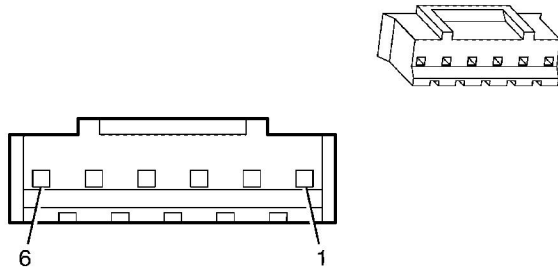
- | Terminal/Tray: See Terminal Repair Kit
- | Core/Insulation Crimp: See Terminal Repair Kit
- | Release Tool/Test Probe: See Terminal Repair Kit

## Video Display - Left Seat Headrest X1

Pin	Wire Color	Circuit No.	Function
1	0.18 OG	6849	Battery Positive
2	--	--	Not Used
3	0.18 L-BU	6873	Ground
4	--	--	Not Used
5	0.18 YE	5845	RS485TX
6	0.18 D-GN	1098	RS485RX
7	0.18 BARE	5339	Shield
8	--	--	Not Used
9	0.18 L-GN	5826	DVD Audio Left Signal (+)
10	0.18 L-GN	5825	DVD Audio Left Signal (-)

11	0.18 D-GN/WH	5828	DVD Audio Right Signal (+)
12	0.18 D-GN/WH	5827	DVD Audio Right Signal (-)
13	0.18 WH	6976	DVD Video Signal (-)
14	0.18 WH	6975	DVD Video Signal (+)

## Video Display - Left Seat Headrest X2



### Connector Part Information

- | OEM: LMA0150600A
- | Service: See Catalog
- | Description:

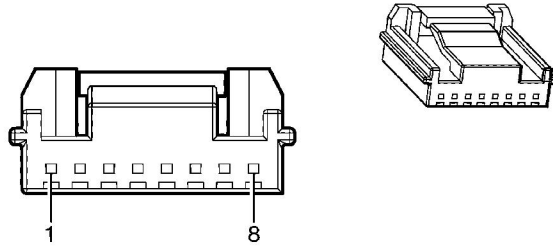
### Terminal Part Information

- | Terminal/Tray: See Terminal Repair Kit
- | Core/Insulation Crimp: See Terminal Repair Kit
- | Release Tool/Test Probe: See Terminal Repair Kit

## Video Display - Left Seat Headrest X2

Pin	Wire Color	Circuit No.	Function
1	0.18 YE	2059	Auxiliary Audio Left Signal (+)
2	0.18 YE/BK	5843	Auxiliary Audio Left Signal (-)
3	0.18 WH/RD	2058	Auxiliary Audio Right Signal (+)
4	0.18 WH/RD	5345	Auxiliary Audio Right Signal (-)
5	0.18 PU	2057	Auxiliary Video Signal (-)
6	0.18 PU	2056	Auxiliary Video Signal (+)

## Video Display - Right Seat Headrest X1



## Connector Part Information

- | OEM: LMAO151400A
- | Service: See Catalog
- | Description:

## Terminal Part Information

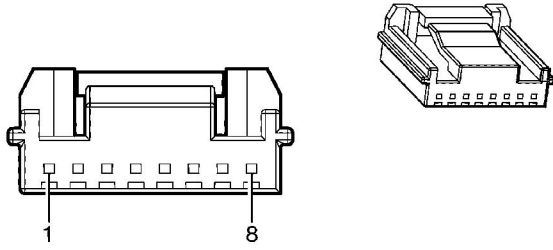
- | Terminal/Tray: See Terminal Repair Kit
- | Core/Insulation Crimp: See Terminal Repair Kit
- | Release Tool/Test Probe: See Terminal Repair Kit

## Video Display - Right Seat Headrest X1

Pin	Wire Color	Circuit No.	Function
1	0.18 OG	6889	Battery Positive Voltage
2	--	--	Not Used
3	0.18 L-BU	6903	Ground
4	--	--	Not Used
5	0.18 YE	6900	RS485TX
6	0.18 D-GN	6901	RS485RX
7	0.18 BARE	6904	Shield
8	--	--	Not Used
9	0.18 L-GN	6890	DVD Audio Left Signal (+)
10	0.18 L-GN	6892	DVD Audio Left Signal (-)
11	0.18 D-GN/WH	6891	DVD Audio Right Signal (+)
12	0.18 D-GN/WH	6979	DVD Audio Right Signal (-)
13	0.18 WH	7394	DVD Video Signal (-)
14	0.18 WH	7396	DVD Video Signal (+)

## Video Display - Right Seat Headrest X2





### Connector Part Information

- | OEM: LMAO150600A
- | Service: See Catalog
- | Description:

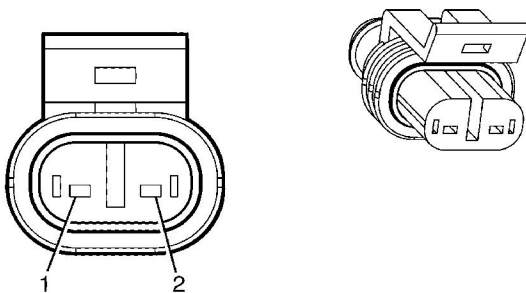
### Terminal Part Information

- | Terminal/Tray: See Terminal Repair Kit
- | Core/Insulation Crimp: See Terminal Repair Kit
- | Release Tool/Test Probe: See Terminal Repair Kit

### Video Display - Right Seat Headrest X2

Pin	Wire Color	Circuit No.	Function
1	0.18 YE	2059	Auxiliary Audio Left Signal (+)
2	0.18 YE/BK	5843	Auxiliary Audio Left Signal (-)
3	0.18 WH/RD	2058	Auxiliary Audio Right Signal (+)
4	0.18 WH/RD	5345	Auxiliary Audio Right Signal (-)
5	0.18 PU	2057	Auxiliary Video Signal (-)
6	0.18 PU	2056	Auxiliary Video Signal (+)

### Wheel Speed Sensor (WSS) - Left Front





### Connector Part Information

- | OEM: 282080-1
- | Service: See Catalog
- | Description: 2-Way F (BK)

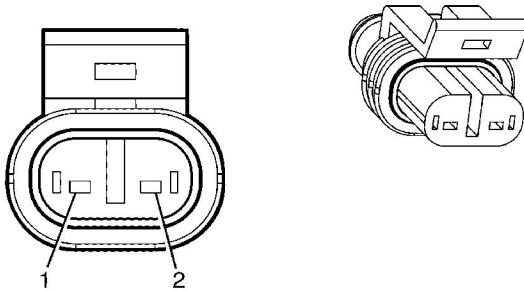
### Terminal Part Information

- | Terminal/Tray: See Terminal Repair Kit
- | Core/Insulation Crimp: See Terminal Repair Kit
- | Release Tool/Test Probe: See Terminal Repair Kit

### Wheel Speed Sensor (WSS) - Left Front

Pin	Wire Color	Circuit No.	Function
1	0.75 BN	830	Wheel Speed Sensor Signal Left Front
2	0.75 BK	7064	Wheel Speed Sensor Supply Voltage Left Front

### Wheel Speed Sensor (WSS) - Left Rear



### Connector Part Information

- | OEM: 282080-1
- | Service: See Catalog
- | Description: 2-Way F (BK)

### Terminal Part Information

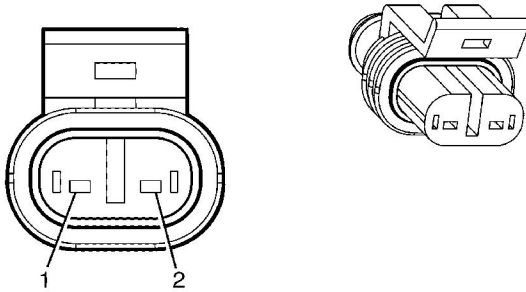
- | Terminal/Tray: See Terminal Repair Kit
- | Core/Insulation Crimp: See Terminal Repair Kit
- | Release Tool/Test Probe: See Terminal Repair Kit

### Wheel Speed Sensor (WSS) - Left Rear

Pin	Wire Color	Circuit No.	Function

1	0.5 BN/BK	884	Wheel Speed Sensor Signal Left Rear
2	0.5 GY	7127	Wheel Speed Sensor Supply Voltage Left Rear

### Wheel Speed Sensor (WSS) - Right Front



#### Connector Part Information

- | OEM: 282080-1
- | Service: See Catalog
- | Description: 2-Way F (BK)

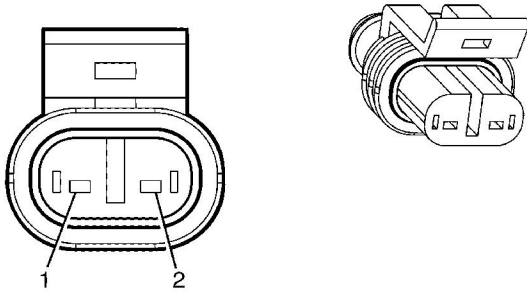
#### Terminal Part Information

- | Terminal/Tray: See Terminal Repair Kit
- | Core/Insulation Crimp: See Terminal Repair Kit
- | Release Tool/Test Probe: See Terminal Repair Kit

### Wheel Speed Sensor (WSS) - Right Front

Pin	Wire Color	Circuit No.	Function
1	0.75 BN	872	Wheel Speed Sensor Signal Right Front
2	0.75 BK	7065	Wheel Speed Sensor Supply Voltage Right Front

### Wheel Speed Sensor (WSS) - Right Rear



### Connector Part Information

- | OEM: 282080-1
- | Service: See Catalog
- | Description: 2-Way F (BK)

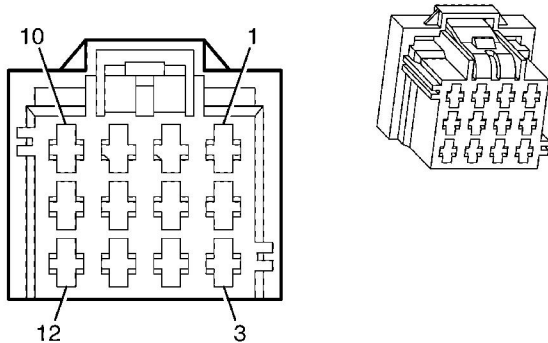
### Terminal Part Information

- | Terminal/Tray: See Terminal Repair Kit
- | Core/Insulation Crimp: See Terminal Repair Kit
- | Release Tool/Test Probe: See Terminal Repair Kit

### Wheel Speed Sensor (WSS) - Right Rear

Pin	Wire Color	Circuit No.	Function
1	0.5 BN	882	Wheel Speed Sensor Signal Right Rear
2	0.5 GY	7128	Wheel Speed Sensor Supply Voltage Right Rear

### Window Control Module



### Connector Part Information

- | OEM: 7283-4417-60

- | Service: See Catalog
- | Description: 12-Way F (GN)

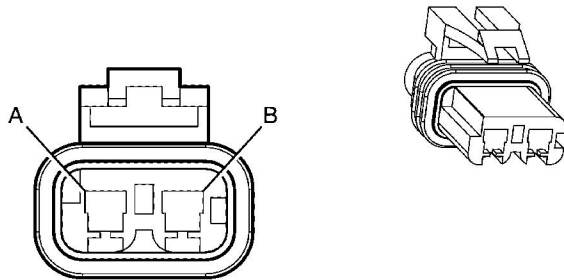
### Terminal Part Information

- | Terminal/Tray: See Terminal Repair Kit
- | Core/Insulation Crimp: See Terminal Repair Kit
- | Release Tool/Test Probe: See Terminal Repair Kit

### Window Control Module

Pin	Wire Color	Circuit No.	Function
1	2 BU/WH	666	Power Window Motor Right Front Up Control
2	2 BN/OG	165	Power Window Motor Left Front Down Control
3	0.5 L-BU	166	Power Window Master Switch Right Front Up Signal
4	--	--	Not Used
5	2 BK	1350	Ground
6	0.5 BN	1300	Power Window Master Switch Left Front Up Signal
7	--	--	Not Used
8	2 D-GN	1001	RAP Supply Voltage
9	0.5 TN	167	Power Window Master Switch Right Front Down Signal
10	2 BN	667	Power Window Motor Right Front Down Control
11	2 D-BU	164	Power Window Motor Left Front Up Control
12	0.5 GY	1136	Power Window Master Switch Left Front Down Control Signal

### Window Motor - Driver (AXB)



### Connector Part Information

- | OEM: 7283-2176-40
- | Service: See Catalog
- | Description: 2-Way F Metri-Pack 280 Series Flexlock Sealed (GY)

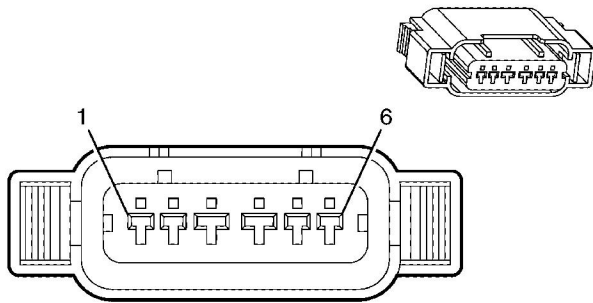
### Terminal Part Information

- | Terminal/Tray: 12110845/4
- | Core/Insulation Crimp: A/5
- | Release Tool/Test Probe: 15315247/J-35616-4A (PU)

### Window Motor - Driver (AXB)

Pin	Wire Color	Circuit No.	Function
A	2 BN/OG	165	Power Window Motor Left Front Down Control
B	2 D-BU	164	Power Window Motor Left Front Up Control

### Window Motor - Driver (AXC)



#### Connector Part Information

- | OEM: 902970-00
- | Service: See Catalog
- | Description: 6-Way F

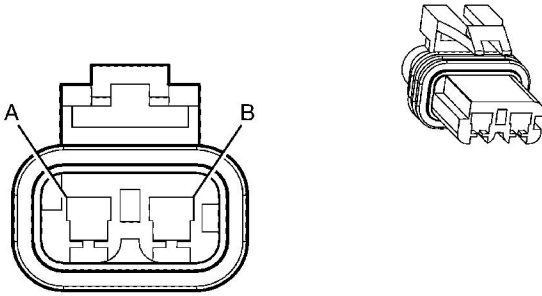
#### Terminal Part Information

- | Terminal/Tray: See Terminal Repair Kit
- | Core/Insulation Crimp: See Terminal Repair Kit
- | Release Tool/Test Probe: See Terminal Repair Kit

### Window Motor - Driver (AXC)

Pin	Wire Color	Circuit No.	Function
1	0.5 BN/RD	1300	Power Window Master Switch Left Front Up Signal
2	0.5 D-GN	1301	RAP [X] Fuse Supply Voltage
3	2 RD/WH	1540	Battery Positive Voltage
4	0.5 BK	2050	Ground
5	--	--	Not Used
6	0.5 GY/BU	1136	Power Window Motor Left Front Down Control

### Window Motor - Left Rear



### Connector Part Information

- | OEM: 7283-2176-40
- | Service: 88988609
- | Description: 2-Way F Metri-Pack 280 Series Flexlock Sealed (GY)

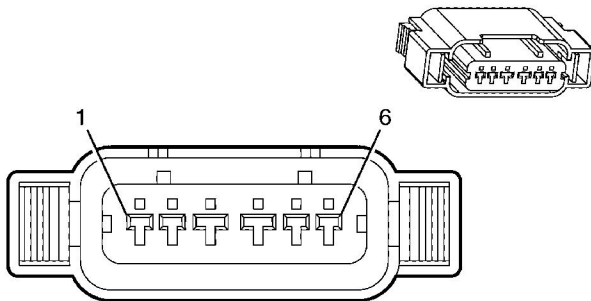
### Terminal Part Information

- | Terminal/Tray: 12110845/4
- | Core/Insulation Crimp: A/5
- | Release Tool/Test Probe: 15315247/J-35616-4A (PU)

### Window Motor - Left Rear

Pin	Wire Color	Circuit No.	Function
A	2 BN	669	Power Window Motor Left Rear Down Control
B	2 D-BU	668	Power Window Motor Left Rear Up Control

### Window Motor - Passenger (AXB)



### Connector Part Information

- | OEM:
- | Service: See Catalog
- | Description: 6-Way F

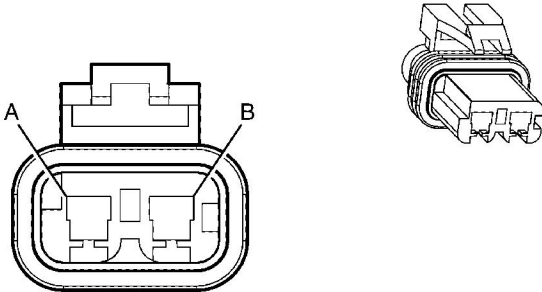
### Terminal Part Information

- | Terminal/Tray: See Terminal Repair Kit
- | Core/Insulation Crimp: See Terminal Repair Kit
- | Release Tool/Test Probe: See Terminal Repair Kit

### Window Motor - Passenger (AXB)

Pin	Wire Color	Circuit No.	Function
1	0.5 L-BU	166	Power Window Master Switch Right Front Up Signal
2	0.5 D-GN	1301	RAP [X] Fuse Supply Voltage
3	2 RD/WH	1540	Battery Positive Voltage
4	2 BK	1350	Ground
5	--	--	Not Used
6	0.5 D-GN/BK	167	Power Window Master Switch Right Front Down Signal

### Window Motor - Passenger (AXC)



### Connector Part Information

- | OEM: 7283-2176-40
- | Service: See Catalog
- | Description: 2-Way F Metri-Pack 280 Series Flexlock Sealed (GY)

### Terminal Part Information

- | Terminal/Tray: 12110845/4
- | Core/Insulation Crimp: A/5
- | Release Tool/Test Probe: 15315247/J-35616-4A (PU)

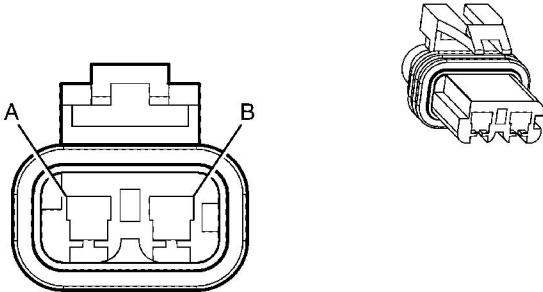
### Window Motor - Passenger (AXC)

Pin	Wire Color	Circuit No.	Function
-----	------------	-------------	----------



A	2 BN	667	Power Window Motor Right Front Down Control
B	2 D-BU/WH	666	Power Window Motor Right Front Up Control

### Window Motor - Right Rear



#### Connector Part Information

- | OEM: 7283-2176-40
- | Service: 88988609
- | Description: 2-Way F Metri-Pack 280 Series Flexlock Sealed (GY)

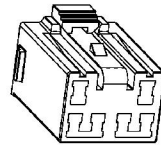
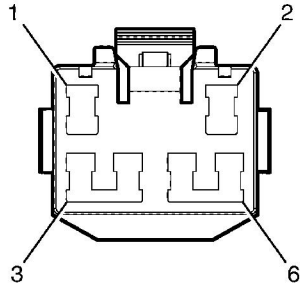
#### Terminal Part Information

- | Terminal/Tray: 12110845/4
- | Core/Insulation Crimp: A/5
- | Release Tool/Test Probe: 15315247/J-35616-4A (PU)

### Window Motor - Right Rear

Pin	Wire Color	Circuit No.	Function
A	2 BN	671	Power Window Motor Right Rear Down Control
B	2 D-BU	670	Power Window Motor Right Rear Up Control

### Window Switch - Left Rear



### Connector Part Information

- | OEM: 7283-1060
- | Service: See Catalog
- | Description: 6-Way F (WH)

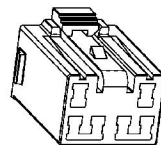
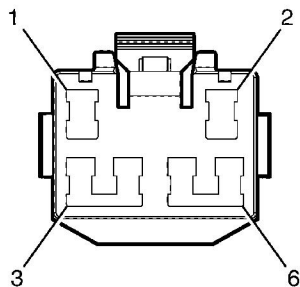
### Terminal Part Information

- | Terminal/Tray: 7116-4022/11
- | Core/Insulation Crimp: 4/A
- | Release Tool/Test Probe: 15315247/J-35616-18 (BK)

### Window Switch - Left Rear

Pin	Wire Color	Circuit No.	Function
1	2 D-BU	668	Power Window Motor Left Rear Up Control
2	0.3 BK		Ground
3	2 D-GN	168	Power Window Master Switch Left Rear Up Signal
4	2 D-BU	1307	Power Window Master Switch Lockout Signal
5	2 BN	669	Power Window Motor Left Rear Down Control
6	2 PU	169	Power Window Master Switch Left Rear Down Signal

### Window Switch - Right Rear





## Connector Part Information

- | OEM: 7283-1060
- | Service: See Catalog
- | Description: 6-Way F (WH)

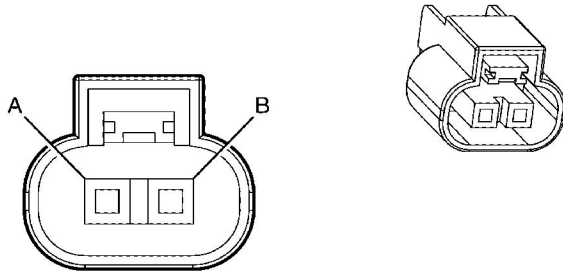
## Terminal Part Information

- | Terminal/Tray: 7116-4022/11
- | Core/Insulation Crimp: 4/A
- | Release Tool/Test Probe: 15315247/J-35616-18 (BK)

## Window Switch - Right Rear

Pin	Wire Color	Circuit No.	Function
1	2 D-BU	670	Power Window Motor Right Rear Up Control
2	0.3 BK		Ground
3	2 L-GN	170	Power Window Master Switch Right Rear Up Signal
4	2 D-BU	1307	Power Window Master Switch Lockout Signal
5	2 BN	671	Power Window Motor Right Rear Down Control
6	2 PU/WH	171	Power Window Master Switch Right Rear Down Signal

## Windshield Washer Fluid Level Switch (TT7 or TT8 or EF7)



## Connector Part Information

- | OEM: PB625-02027
- | Service: See Catalog
- | Description: 2-Way F

## Terminal Part Information

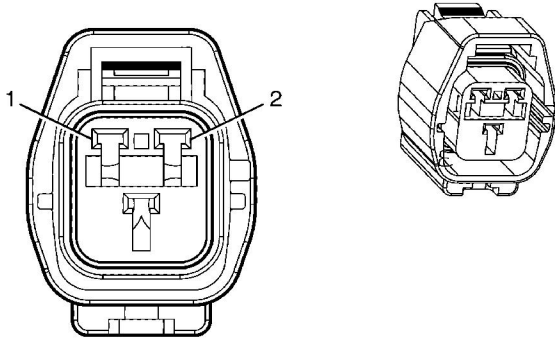
- | Terminal/Tray: See Terminal Repair Kit
- | Core/Insulation Crimp: See Terminal Repair Kit

- | Release Tool/Test Probe: See Terminal Repair Kit

### Windshield Washer Fluid Level Switch (TT7 or TT8 or EF7)

Pin	Wire Color	Circuit No.	Function
A	0.3 BK	250	Ground
B	0.3 BN	185	Low Washer Fluid Indicator Signal

### Windshield Washer Fluid Pump



#### Connector Part Information

- | OEM: 7283-7031-10
- | Service: See Catalog
- | Description: 2-Way F (BK)

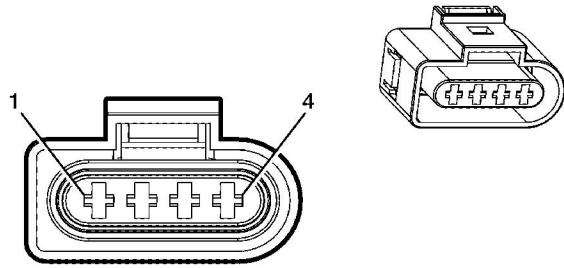
#### Terminal Part Information

- | Terminal/Tray: 7116-4026/11
- | Core/Insulation Crimp: E/1
- | Release Tool/Test Probe: 15313892/J-35616-18 (BK)

### Windshield Washer Fluid Pump

Pin	Wire Color	Circuit No.	Function
1	0.75 OG	228	Windshield Washer Pump Control
2	0.75 BK	250	Ground

### Windshield Wiper Motor



### Connector Part Information

- | OEM: 7283-2043-30
- | Service: See Catalog
- | Description: 4-Way F (BK)

### Terminal Part Information

- | Pins: 1-2
- | Terminal/Tray: 4-964273-1/15
- | Core/Insulation Crimp: C/5
- | Release Tool/Test Probe: 12093647/J-35616-4A (PU)

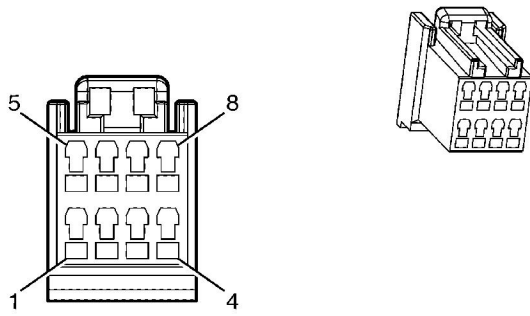
- | Pin: 3
- | Terminal/Tray: 4-964273-1/15
- | Core/Insulation Crimp: E/1
- | Release Tool/Test Probe: 12093647/J-35616-4A (PU)

- | Pin: 4
- | Terminal/Tray: See Terminal Repair Kit
- | Core/Insulation Crimp: See Terminal Repair Kit
- | Release Tool/Test Probe: See Terminal Repair Kit

### Windshield Wiper Motor

Pin	Wire Color	Circuit No.	Function
1	2 YE	196	Windshield Wiper Motor Park Switch Signal
2	2 BK	350	Ground
3	1.25 BN/WH	92	Windshield Wiper Motor High Speed
4	0.3 D-GN	95	Windshield Wiper Motor Low Speed

### Windshield Wiper/Washer Switch



### Connector Part Information

- | OEM: 7283-7387-30
- | Service: See Catalog
- | Description: 8-Way F (BK)

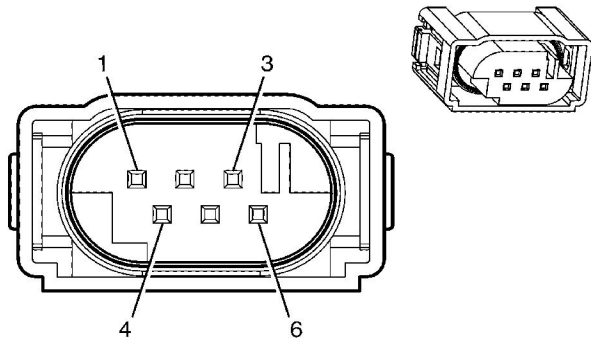
### Terminal Part Information

- | Terminal/Tray: 173681-2/17
- | Core/Insulation Crimp: E/4
- | Release Tool/Test Probe: 15315247/J-35616-16 (L-GN)

### Windshield Wiper/Washer Switch

Pin	Wire Color	Circuit No.	Function
1	--	--	Not Used
2	0.3 OG	94	Windshield Washer Switch Signal (LHD)
3	0.3 L-BU	1714	Windshield Wiper Switch Low Signal (LHD)
4	0.3 BK/WH	1715	Windshield Wiper Switch High Signal (RHD)
	0.3 L-GN	1715	Windshield Wiper Switch High Signal (LHD)
5	--	--	Not Used
6	0.3 OG	94	Windshield Washer Switch Signal (RHD)
7	0.3 L-BU	1714	Windshield Wiper Switch Low Signal (RHD)
8	0.3 BK/WH	1251	Ground (RHD)
	0.3 L-GN	1251	Windshield Wiper Switch High Signal (LHD)

### Yaw and Lateral Accelerometer Sensor



### Connector Part Information

- | OEM: 7219-1764-30
- | Service: See Catalog
- | Description: 6-Way F (BK)

### Terminal Part Information

- | Terminal/Tray: 962885-5/15
- | Core/Insulation Crimp: 6/6
- | Release Tool/Test Probe: 12094429/J-35616-64B (L-BU)

### Yaw and Lateral Accelerometer Sensor

Pin	Wire Color	Circuit No.	Function
1	0.5 D-GN	2087	5-V Reference
2	0.5 L-GN/BK	5352	Yaw Rate Sensor Test Control
3	0.5 L-BU	5986	Communication Enable Relay Supply Voltage
4	0.5 BN/WH	2086	Yaw Rate Signal
5	0.5 PU/WH	1699	Combined Vehicle Inertial Sensor Signal
6	0.5 BK/BU	2088	Low Reference