

GTO 2004-06

SECTION INDEX

A/C HEATER/VENTILATION.....	635
A/C REFRIGERANT CAPACITIES	635
ABS/BRAKES	636
AIR BAG SYSTEM.....	636
AIR CLEANER.....	638
BACK WINDOW.....	643
CENTER CONSOLE.....	640
CLEAR COAT IDENTIFICATION	633
COOLING.....	634
COWL & DASH.....	639
CRUISE CONTROL SYSTEM	636
ELECTRICAL.....	638
EMISSION SYSTEM.....	638
ENGINE/TRANS.....	637
ENGINE/TRANS MOUNTS.....	638
EXHAUST.....	638
FRONT BUMPER.....	633
FRONT DOOR.....	642
FRONT FENDER.....	635
FRONT INNER STRUCTURE.....	635
FRONT LAMPS.....	633
FRONT SEAT.....	641
FRONT STEERING LINKAGE/GEAR.....	637
FRONT SUSPENSION.....	637
FUEL TANK.....	644
GRILLE.....	633
GROUND EFFECTS.....	635
HOOD.....	634
INFORMATION LABELS.....	633
INSTRUMENT PANEL.....	639
LUGGAGE LID.....	643
PAINT CODE LOCATION.....	633
QUARTER GLASS.....	643
QUARTER PANEL.....	643
REAR BODY.....	644
REAR BUMPER.....	645
REAR DRIVE AXLE.....	644
REAR LAMPS.....	645
REAR SEAT.....	641
REAR SUSPENSION.....	644
ROCKER/PILLARS/FLOOR.....	640
ROOF.....	642
SEAT BELTS.....	642
SPECIAL CAUTIONS.....	633
STEERING PUMP.....	637
STEERING WHEEL/COLUMN.....	637
UNDERHOOD DIMENSIONS.....	635
WHEEL.....	636
WINDSHIELD.....	639

SPECIAL CAUTIONS

AIR BAG

Refer to Procedure Explanation 29 for Supplemental Restraint/Air Bag Special Cautions.

PAINT CODE LOCATION

Paint code located on spare tire cover in trunk.

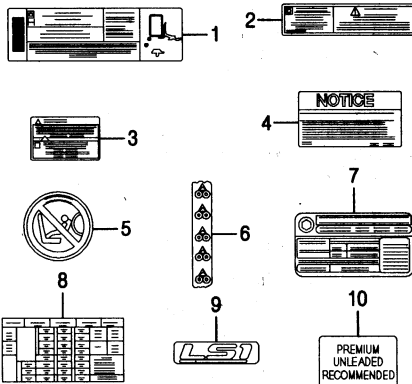
CLEAR COAT IDENTIFICATION

All colors are clear coat.

INFORMATION LABELS

Illustration Located in Next Column

1 Label, Emission	04 92066692	14.92
	05 92067076	15.42
2 Label, Fan Caution	04 92162050	14.92
	05-06 N.A.	0.00
3 Label, A/C Retrig Charge Notice	04 92155513	9.04
	05-06 N.A.	0.00
4 Label, Driver Air Bag	92110187	14.92
Label, Seat Air Bag Warning	N.A.	0.00
5 Label, Child Seat	92093608	14.92
6 Label, Jack Usage	04 92159130	2.99



001-21408

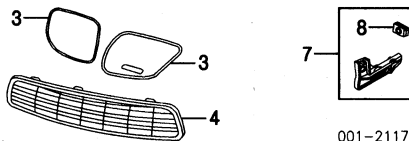
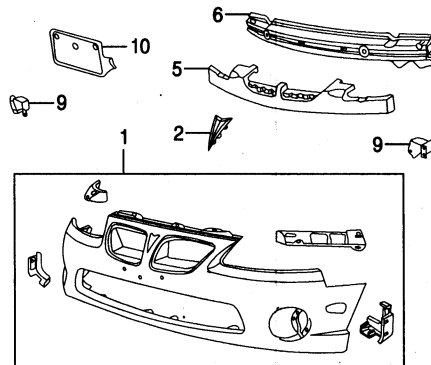
7 Label, Tire Pressure	05-06 N.A.	0.00
w/Alloy Wheels	92162269	14.92
w/o Alloy Wheels	92155941	14.92
Label, Fuel Pipe Caution	10445318	d15.42
8 Label, Fuse Identification	04 92123170	4.30
	05-06 92171570	6.06
9 Label, Engine Identification	04 92067138	14.92
	05-06 92067354	14.93
10 Label, Fuel Recommendation	9057040	0.00

FRONT BUMPER

Use Procedure Explanations 1 and 28 with the following text.

Refinish Front Cover.....	2.3
Refinish Impact Bar.....	.5
R&I Cover Assy.....	.6
R&I Bumper Assy.....	1.1
O/H Bumper Assy (Includes R&I).....	2.5
Add to R&R Front Cover or O/H Front Bumper	
w/Front Cover Extension.....	.5

NOTE: All Parts in this section are included in overhaul unless noted otherwise.



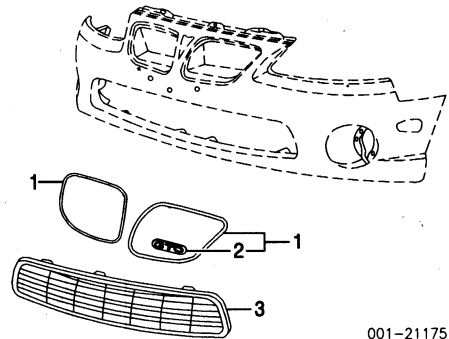
001-21176

1 Cover, Front (P)	92169488	1.9	542.73
(P) Paint to Match			
2 Emblem, Front Cover	92155830	#.1	59.79
2004			
2005			
1st Design	92155830	#.1	59.79
2nd Design	92179912	#.1	69.80
2006	92179912	#.1	69.80
#w/Cover Assy Removed, Included in R&R Front Cover			
92057039			.73
Nut, Emblem			
3 Grille Assy, Upper-See Grille Section			
4 Grille, Lower-See Grille Section			
5 Absorber, Energy	92169232	#.2	76.50
#w/Cover Assy Removed			
6 Bar, Impact	92168376	2.5	127.18
7 Guide Assy, Front	R/L 92177409-8	#.1	20.79
#w/Cover Assy Removed, Not Included in O/H, Included in R&R			
Fender			
8 Nut, Retaining (2/Side)	R/L 92138080		3.80
#Included w/Front Guide Assy			
9 Bracket, Bumper	R/L 92089268-9	#.1	19.36
#w/Bumper Assy Removed			
10 Bracket, License Plate	92158783	.1	9.41
Extension Kit, Front Cover			

Dealer Installed-See Ground Effects Section
Plate, License Mtg 17800938 2 35.00

GRILLE

R&I Upper Grille.....	R/L	#.8
R&I Lower Grille.....		#.8
#Includes R&I Cover Assy, Included in R&R Front Cover		



001-21175

1 Grille Assy, Upper	R 92120216	#.1	37.08
	L 92160575	#.2	73.09
2 Emblem, Grille	L 92155829	#.1	42.50
#Included w/Upper Grille Assy			
3 Grille, Lower	92120214	#.2	34.34
#w/Cover Assy Removed, Included in R&R Front Cover			
Nut, Grille	92057039		.73
Retainer, Grille Lower (4)	92138141		3.62
Grille Kit			
Dealer Installed-See Ground Effects Section			

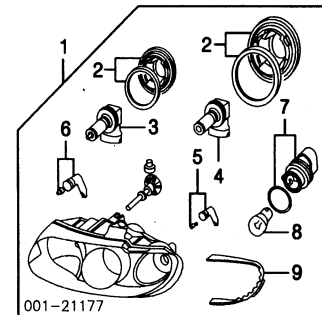
FRONT LAMPS

COMBINATION LAMP

Aim Lamps.....		.4
R&I Combination Lamp Assy.....	R	#.2
#w/Cover Assy & Battery Removed		
	L	#.2

#w/Cover Assy Removed

NOTE: R&R Does Not include aim lamps.



001-21177

1 Lamp Assy, Combination	R 92155600	#.2	376.52
#w/Cover Assy & Battery Removed			
	L 92155599	#.2	376.52
#w/Cover Assy Removed			
2 Cover, Bulb Access (2/Side)	R/L 92144540		16.03
3 Bulb, High Beam	R/L 92095788	#.2	25.56
4 Bulb, Low Beam	R/L 92095787	#.2	13.63
Vent, Headlamp			
5 8mm	R/L 92145546		11.52
6 14mm	R/L 92145545		11.52
7 Socket, Signal Lamp	R/L 92146805		20.61
8 Bulb, Signal Lamp	R/L 9428904	#.2	2.00
#R&R One Side Complete			
9 Filler, Headlamp Opening	R/L 92144537-8		15.88
#Included w/Combination Lamp Assy			

SIDE MARKER LAMP

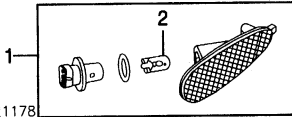
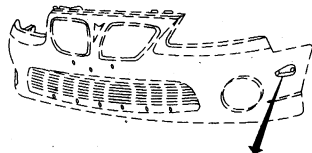
R&I Side Marker Lamp.....	R/L	#.2
#Included in R&R or O/H Front Bumper		

Illustration Located in Next Column

1 Lamp Assy, Side Marker	R/L 92155601	#.2	50.73
2 Bulb, Marker Lamp	R/L 9425542	#.2	1.06
#Included w/Side Marker Lamp Assy			
#R&R One Side Complete, Included in R&R or O/H Front Bumper			

FRONT LAMPS Cont'd

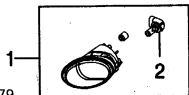
SIDE MARKER LAMP Cont'd



001-21178

FOG LAMP

R&L Fog Lamp R/L #.8
 #Includes R&L Cover Assy, Included in R&R Front Cover



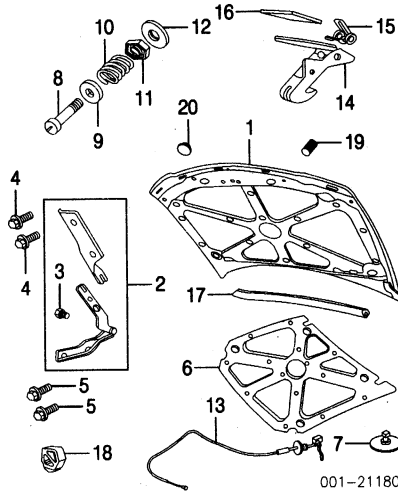
001-21179

- | | | | |
|------------------|-----------------|-----|--------|
| 1 Lamp Assy, Fog | R/L 92119490-89 | #.2 | 110.25 |
| 2 Bulb, Fog Lamp | R/L 92169126 | #.2 | 12.48 |
- #Included w/Fog Lamp Assy
 #w/Cover Assy Removed, R&R One Side Complete, Included in R&R Front Cover

HOOD

Use Procedure Explanations 4 and 28 with the following text.

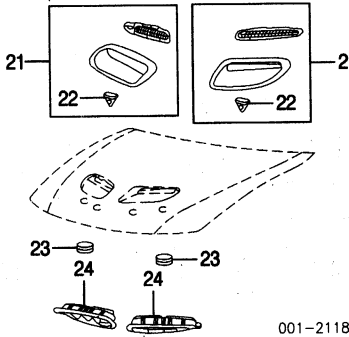
- | | | |
|--------------------------|-----------|-----|
| Refinish Hood Outside | | 2.9 |
| Add for Underside | | 1.5 |
| Refinish Hood Scoop | R/L | .5 |
| Refinish Hood Hinge Assy | R/L | .5 |
| R&L Hood Assy | | .4 |
| R&L Hood Scoop | R/L | .2 |
| R&L Washer Nozzle | R/L | #.2 |
- #Included in R&R Hood
 Add to R&R Hood
 w/Hood Scoop #.4
 #Includes R&R/R&R Hood Scoops



001-21180

- | | | | | |
|--------------------|----------------|------------|-----|--------|
| 1 Hood | 2004 | 92172966 | 1.0 | 797.37 |
| | 2005-06 | | | |
| | w/Hood Scoop | 92167780 | 1.0 | 882.30 |
| | w/o Hood Scoop | 92172966 | 1.0 | 797.37 |
| 2 Hinge Assy, Hood | R/L | 92056552-3 | #.2 | 26.08 |
- #w/Hood & Air Inlet Panel Removed
 3 Bolt, Retaining (2/Side) 04 R/L 92138343
 05-06 R/L 92138548
 #Included w/Hood Hinge Assy

- | | | | |
|------------------------------|----------------|----------|----|
| 4 Bolt, Upper Hinge (2/Side) | R/L 92138343 | 3.30 | |
| 5 Bolt, Lower Hinge (2/Side) | R/L 92138369 | .18 | |
| 6 Insulator, Hood | 92155791 | .2 | |
| | 2004 | 67.03 | |
| | 2005-06 | | |
| | w/Hood Scoop | 92167786 | .2 |
| | w/o Hood Scoop | 92171098 | .2 |
| | | 74.80 | |
| 7 Retainer, Insulator (13) | 73370142 | 12.74 | |
| 8 Bolt, Striker | 92138600 | #.2 | |
| 9 Retainer, Spring | 92138599 | #.2 | |
| 10 Spring, Pop-Up | 92024179 | #.2 | |
- #R&R Complete
- | | | |
|---|--------------|-------|
| 11 Nut, Striker | 9287055 | 15.58 |
| 12 Washer, Latch | 92078237 | 4.07 |
| 13 Cable, Latch Release | 92111264 | .8 |
| 14 Latch, Secondary | 92050992 | .2 |
| 15 Spring, Latch | 3465763 | 4.50 |
| 16 Protector, Hood | 92037143 | 3.88 |
| 17 W/Strip, Hood Rear-See Cowl & Dash Section | | |
| 18 Bumper, Side Hood | R/L 92055886 | 3.80 |
| 19 Adjuster, Hood Bumper | R/L 3466306 | 3.63 |
| 20 Bumper, Hood Front | R/L 90355366 | 1.77 |



001-21181

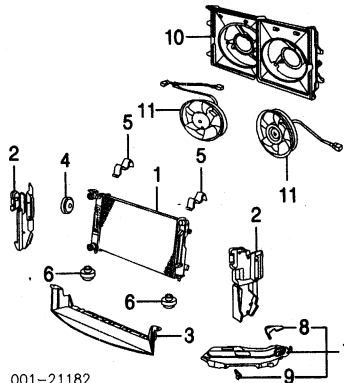
- | | | | |
|------------------------|--------------------------------|----|--------|
| 21 Scoop Assy, Hood | R/L 92167878-7 | .2 | 117.37 |
| 22 Retainer, Scoop (a) | R/L 92138798 | | 5.09 |
| | (a) Included w/Hood Scoop Assy | | |
| 23 Plug, Hood (2/Side) | R/L 90120285 | | 3.73 |
| 24 Duct, Air | R/L 92167789-8 | | 22.03 |

COOLING

Use Procedure Explanations 5 and 28 with the following text.

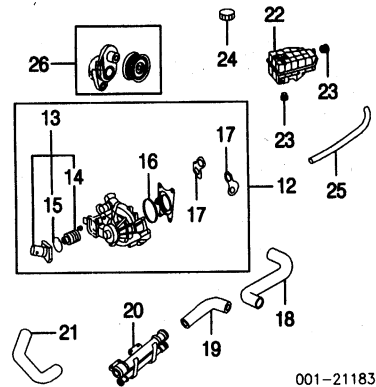
5.7L ENG

- | | | |
|--------------|-------|------|
| R&L Radiator | | #1.2 |
| Man Trans | | #1.4 |
| Auto Trans | | #1.4 |
- #w/Bumper Cover Removed



001-21182

- | | | | | |
|------------|------------|----------|------|--------|
| 1 Radiator | Man Trans | 92147801 | #1.2 | 453.65 |
| | Auto Trans | 92147802 | #1.4 | 557.17 |
- #w/Bumper Cover Removed
- | | | |
|------------------------|-------------------|-------|
| 2 Baffle, Side Air | 04 R/L 92087692-3 | 13.44 |
| | 05-06 R 92118908 | 9.88 |
| | L 92118911 | 0.00 |
| 3 Deflector, Lower Air | 92155512 | 26.67 |
| 4 Insulator, Upper | R/L 92047823 | 13.76 |
| 5 Retainer, Upper | R/L 92056690 | 11.41 |
| 6 Insulator, Lower | R/L 92047822 | 6.67 |
| 7 Baffle Assy | 92160585 | 72.22 |
| 8 Gasket, Baffle (a) | 92108179 | 11.41 |
| 9 Retainer, Baffle (a) | 15549438 | .72 |
- (a) Included w/Baffle Assy
- | | | | |
|----------------|------------|-----|--------|
| 10 Shroud, Fan | R 92145776 | #.8 | 129.94 |
| 11 Motor, Fan | R 92146912 | #.8 | 285.32 |
| | L 92146913 | #.8 | 245.37 |
- #R&R Complete

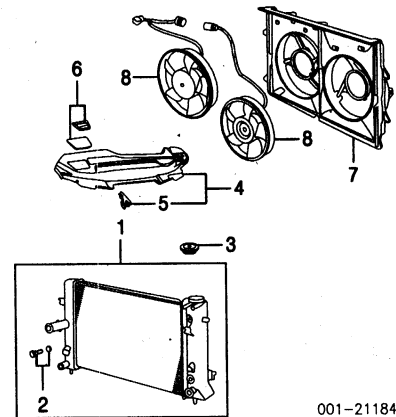


001-21183

- | | | | | |
|---------------------------------|--|---|-----|---------|
| 12 Pump Assy, Water | 89017593 | m | 2.0 | #315.10 |
| 13 Housing Assy, Thermostat (b) | 12581594 | | .7 | 37.27 |
| 14 Thermostat (b) (c) | 12581595 | | #.9 | 18.12 |
| 15 Gasket, Thermostat (b) (c) | 12570307 | | | 4.20 |
| | (c) Included w/Thermostat Housing Assy | | | |
| 16 Seal, Water Pump (b) | 12551905 | m | | 2.02 |
| 17 Gasket, Water Pump (b) | R/L 12559271 | m | | 4.84 |
| | (b) Includes w/Water Pump Assy | | | |
| Belt, Drive | 92089561 | | .5 | #135.03 |
| 18 Hose, Upper Rad | 92055623 | | .6 | 53.63 |
| 19 Hose, Fri Lower Rad | 92112264 | | #.9 | 19.28 |
| 20 Pipe, Outlet | 92087983 | | #.9 | 148.54 |
| 21 Hose, Rear Lower Rad | 92157929 | | #.9 | 52.04 |
| | #R&R Complete | | | |
| 22 Tank, Recovery | 92055632 | | .3 | 112.82 |
| 23 Insulator, Tank (2) | 25099300 | | | 8.87 |
| 24 Cap, Tank | 25713160 | | | 10.49 |
| Bracket, Tank | 92057448 | | | 21.64 |
| 25 Hose, Tank | 92057863 | | .2 | 64.92 |
| 26 Tensioner, Drive Belt | 92111701 | | #.7 | 48.22 |
- #Includes R&R Drive Belt

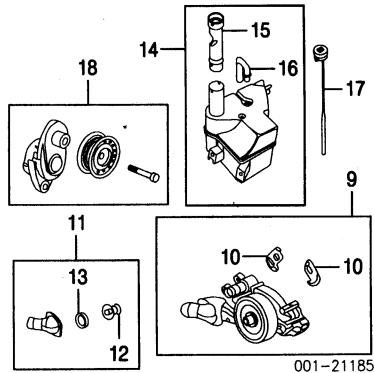
6.0L ENG

- | | | |
|--------------|-------|------|
| R&L Radiator | | #1.2 |
| Man Trans | | #1.4 |
| Auto Trans | | #1.4 |
- #w/Bumper Cover Removed



001-21184

- | | | | | |
|-----------------|------------|----------|------|--------|
| 1 Radiator Assy | Man Trans | 92147990 | #1.2 | 598.22 |
| | Auto Trans | 92147990 | #1.4 | 598.22 |
- #w/Bumper Cover Removed
- | | | | |
|-----------------------------|---|--------|---------|
| 2 Plug, Drain (a) | 92147978 | 15.88 | |
| | (a) Included w/Radiator Assy | | |
| 3 Cap, Radiator | 92177005 | 22.04 | |
| 4 Deflector Assy, Upper Air | 92147981 | 138.30 | |
| 5 Retainer, Shield (b) | 15549438 | .72 | |
| | (b) Included w/Upper Air Deflector Assy | | |
| 6 Cover, Access | 92175359 | 5.20 | |
| 7 Shroud, Fan | 92147981 | #.8 | 138.30 |
| 8 Motor, Fan | R/L 92145772-1 | #.8 | d219.73 |
- #R&R Complete
- Illustration Located in Next Column
- | | | | | |
|-----------------------------|--------------------------------|---|-----|---------|
| 9 Pump Assy, Water | 89017593 | m | 2.0 | #315.10 |
| 10 Gasket, Water Pump (c) | R/L 12559271 | m | | 4.84 |
| | (c) Included w/Water Pump Assy | | | |
| 11 Housing Assy, Thermostat | 12581594 | | .7 | 37.27 |
| 12 Thermostat (d) | 12581595 | | | 18.12 |
| 13 Gasket, Thermostat (d) | 12570307 | | | 4.20 |
- (d) Included w/Thermostat Housing Assy



001-21185

Belt, Drive	92067152	.5	129.83
Hose, Upper Radiator	92157579	.6	51.34
Hose, Lower Radiator	92157580	.9	35.39
Tank Assy, Recovery	92101621	.3	29.78
14 Pipe, Reservoir Inlet (e)	92101622		15.31
16 Hose, Overflow (e)	92057425		0.00
<i>(e) Included w/Recovery Tank Assy</i>			
17 Cap, Recovery Tank	92176446		9.42
18 Tensioner, Drive Belt	92111701	#.7	48.22
<i>#Includes R&R Drive Belt</i>			

A/C REFRIGERANT CAPACITIES

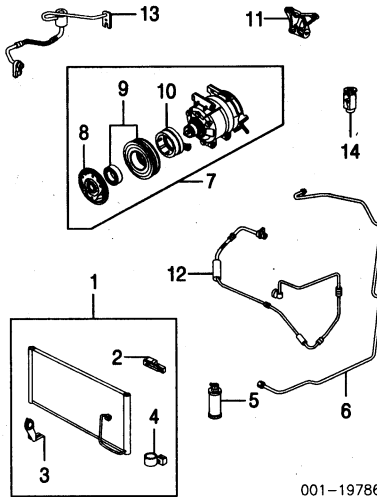
A/C R-134a Refrigerant Capacity
28.0 Ozs (1.75 Lbs), 794 g

A/C /HEATER/VENTILATION

Use Procedure Explanation 6 with the following text.

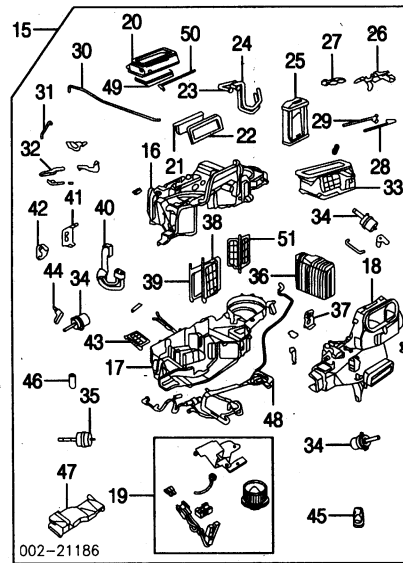
R&I Condenser	m #1.8	
<i>#Includes R&R Receiver/Drier, w/Radiator Removed Deduct .9</i>		
Evacuate & Recharge System	m 1.4	
Recover Refrigerant	m .3	

NOTE: R&R Does Not include recover, evacuate and recharge system.



001-19786

1 Condenser Assy	04 92147803	m #1.8	445.46
	05-06 92148168	m #1.8	396.77
<i>#Includes R&R Receiver/Drier, w/Radiator Removed Deduct .9</i>			
2 Bracket, Condenser	92145766		16.78
3 Bracket, Sensor	92061774		11.42
4 Bracket, Receiver/Drier	92145767		41.85
<i>#Included w/Condenser Assy</i>			
Sensor, Ambient Air	9152245	m .4	22.15
5 Receiver/Drier	92145769	m .7	122.28
6 Tube, Receiver/Drier	92209645	m #1.8	100.55
<i>#Includes R&R Receiver/Drier</i>			
7 Compressor Assy	04 92088081	m 2.2	602.14
	05-06 92175482	m 2.2	602.15
8 Clutch, Compressor (b)	6581515	m #.4	71.75
9 Pulley, Compressor (b)	6581307	m #.4	382.62
10 Coil (b)	6552423	m #.4	79.74
<i>(b) Included w/Compressor Assy</i>			
<i>#R&R Complete, w/Compressor Assy Removed</i>			
11 Bracket, Compressor	92066950		62.97
12 Tube, Compressor	92122930	m .9	210.55
13 Hose, Compressor	92122929	m 1.6	141.91
14 Valve, Expansion	92117402	m 1.4	130.45



002-21186

15 Evaporator Assy	92084225	m #2.4	834.65
<i>#w/Instrument Panel Removed</i>			
16 Case, Upper Blower (a)	92141714	m #3.0	124.60
17 Case, Lower Blower (a)	92141715	m #3.0	119.81
18 Case, Front Blower (a)	92141716	m #3.0	92.35
<i>#R&R Complete, w/Instrument Panel Removed</i>			
19 Motor, Blower (a)	92144213	m .8	296.56
20 Duct, Defroster Upper (a)	92141637	m	78.69
21 Valve, Air Inlet (a)	92141638	m	66.32
22 Seal, Air Inlet (a)	92141642	m	89.24
23 Pipe, Heater Inlet (a)	92141657	m	54.42
24 Pipe, Heater Outlet (a)	92141658	m	49.86
25 Core, Heater (a)	92141656	m #3.2	174.11
<i>#w/Instrument Panel Removed</i>			
26 Bracket, Heater Core (a)	92141655	m	90.46
27 Clamp, Heater Core (a)	92141678	m	23.28
28 Shaft, Valve (a)	92141709	m	48.30
29 Shaft, Vent/Defroster (a)	92141710	m	48.30
30 Link, Mode (a)	N.A.	m	0.00
31 Link, Air Valve (a)	N.A.	m	0.00
32 Lever, Adjusting (a)	92141662	m	52.89
33 Inlet, Air (a)	92141635	m	78.69
34 Actuator, Inlet Valve (a) (3)	92141702	m	37.02
35 Actuator, Valve (a)	92141721	m	84.27
36 Evaporator (a)	92141652	m #3.4	585.06
<i>#w/Instrument Panel Removed</i>			
37 Bracket, Body Cont Module (a)	92145409	m	31.83
38 Valve, Mode (a)	92141640	m	74.74
39 Seal, Valve (a)	92141641	m	42.82
40 Tube, Evap (a)	92141653	m	196.22
41 Bracket, Tube (a)	92141672	m	38.57
42 Insulator, Tube (a)	92141665	m	33.76
43 Valve, Air Floor (a)	92141644	m	46.73
44 Lever, Defroster (a)	92141651	m	38.88
45 Resistor, Blower Motor (a)	92141719	m	171.43
46 Hose, Evap (a)	92141672	m	38.57
47 Duct, Floor Air (a)	92143008	m	115.66
48 Harness, A/C/Heater (a)	92145410	m	74.25
49 Valve, Defroster (a)	92141645	m	73.33
50 Shaft, Valve (a)	92141666	m	41.29
51 Valve, Temp (a)	92141643	m	102.26
<i>(a) Included w/Evaporator Assy</i>			

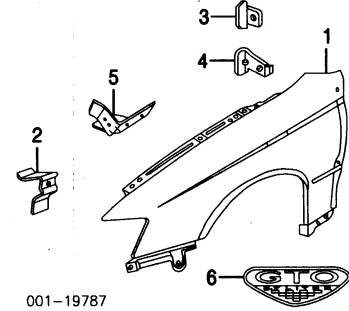
GROUND EFFECTS

Refinish Front Cover Extension		.8
Refinish Grille	R/L	.4
Refinish Rocker Panel Moulding	R/L	1.0
Refinish Rear Cover Extension		.8
R&I Grille	R/L	#.8
<i>#Includes R&I Cover Assy, Included in R&R Front Cover or O/H</i>		
Front Bumper		
R&I Rocker Moulding Panel	R/L	.5
R&R Grille	R/L	#.8
<i>#Includes R&I Cover Assy, Included in R&R Front Cover or O/H</i>		
Front Bumper		
Effects Kit, Ground Dealer Installed		
Black	17801015	2371.42
Red	17801014	2371.42
Silver	17801016	2371.42
Paint to Match	17801013	2142.85
Extension Kit, Front Cover (P)	12499608	#.6 370.00
<i>#Includes R&I License Bracket, Included in R&R Front Cover or O/H Front Bumper</i>		
Grille Kit (P)	12499616	# 268.57
<i>#Included in R&R Front Cover or O/H Front Bumper</i>		
Moulding, Rocker Panel (P)	R 12499604	.5 500.00
	L 12499600	.5 500.00
Extension Kit, Rear Cover (P)	12499612	#.5 560.00
<i>#Included w/Ground Effects Kit</i>		
<i>(P) Paint to Match</i>		
<i>#Included in R&R Rear Cover & O/H Rear Bumper</i>		

FRONT FENDER

Use Procedure Explanations 7 and 28 with the following text.

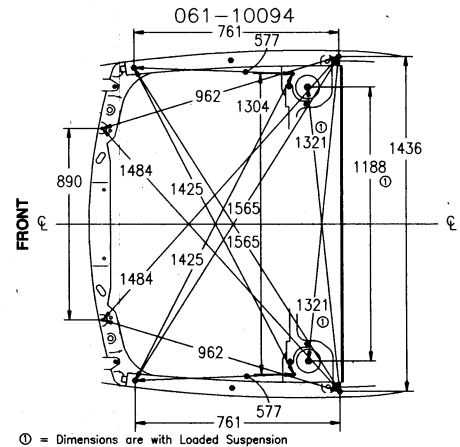
Refinish Fender Outside	R/L	1.9
Add to Edge Fender	R/L	.5
R&I Fender Assy	R/L	#1.8
<i>#Includes R&I Cover Assy, R&I/R&R Rocker Moulding & Fender Liner</i>		



001-19787

1 Fender	R 92122726	#2.1	406.78
	L 92122729	#2.1	406.78
<i>#Includes R&I Cover Assy, R&I/R&R Rocker Moulding & Fender Liner</i>			
2 Bracket, Front	R/L 92160850	#.3	3.63
3 Bracket, Upper Rear	R/L 92047302	#.3	3.63
4 Bracket, Center Rear	R/L 92049849	#.3	9.16
5 Bracket, Lower Rear	R/L 92080448-9	#.5	16.55
<i>#Order by Application</i>			
<i>#w/Fender Removed</i>			
Liner, Fender	R 92081646-5	.5	56.12
Retainer, Liner (4/Side)	R/L 92138218		3.67
6 Nameplate (Adhesive)	04 R/L 92155831	.2	79.20
	05-06 R/L 92164182	.2	78.30

UNDERHOOD DIMENSIONS



⊙ = Dimensions are with Loaded Suspension

FRONT INNER STRUCTURE

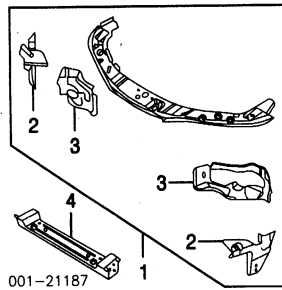
Use Procedure Explanations 8 and 28 with the following text.

FRONT

Refinish Radiator Support Complete		1.5
Refinish Upper Radiator Support Assy		1.0
Refinish H/Lamp Mtg Panel	R/L	.5
Refinish H/Lamp Mounting Bracket	R/L	.3
Refinish Lower Radiator Support		.5
R&R Radiator Support Complete		#10.5
<i>#Includes R&I/R&R Radiator, Fan, Shroud & Motor as an Assy, Upper Radiator Support Assy, Mounting Brackets, Headlamp Mounting Panels, Lower Radiator Support, Primary Hood Latch, Washer Tank, Battery, Disconnect & Connect Hood Release Cable, Wiring &/or Harness as Necessary</i>		
Add to Radiator Support Complete		
To R&I/R&R Base Model Mechanical Components	m	#.7
<i>#Includes R&I/R&R A/C Condenser & Receiver/Drier</i>		
w/Auto Trans		.2
To Aim Lamps		.4
Evacuate & Recharge System	m	1.4
Recover Refrigerant	m	.3

FRONT INNER STRUCTURE Cont'd

FRONT Cont'd



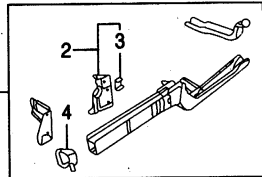
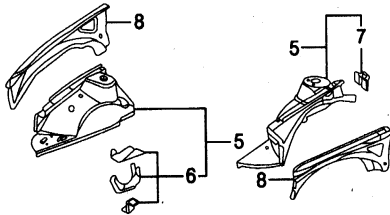
1 Support Assy, Upper Radiator	92167942	s	4.0	235.17
2 Bracket, H/Lamp Mounting	R 92167944	s	1.0	25.62
	L 92167945	s	1.0	37.97
3 Panel, H/Lamp Mounting	R/L 92089722-3	s	2.5	82.09
	*Included w/Upper Radiator Support Assy			
4 Support, Lower Radiator	92167936	s	2.5	64.89

SIDE

Refinish Side Rail	R/L	1.0
Refinish Wheelhouse Panel	R/L	1.0
Refinish Wheelhouse Brace	R/L	.5
Section Side Rail	R/L	#4.7
<i>#w/Radiator Support Removed, Time is to Section Midway Between the Two Front Sub-Frame Mounting Bolt Holes</i>		
Section Wheelhouse Panel	R	#5.0
	L	#4.0

#w/Upper Tie Bar Removed, Time is to Cut in Front of Shock Tower

NOTE: For sectioning information refer to Manufacturer's Collision Repair Manual.



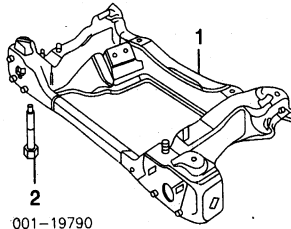
001-23738

1 Rail Assy, Side	R 92166292	s	#8.5	527.17
	L 92167938	s	#8.5	527.17
<i>#w/Wheelhouse Panel Removed Deduct 2.5</i>				
2 Bracket Assy, Side Rail	R 92122736	1.5	18.08	
	L 92122746	1.5	18.08	
3 Bracket, Side Mounting (a)	R/L 92052768		3.67	
	<i>(a) Included w/Side Rail Bracket Assy</i>			
4 Bracket, Bumper	R/L 92089268-9	1.5	19.36	
	<i>#Included w/Side Rail Assy</i>			
5 Panel Assy, Wheelhouse	R 92122780	s	#7.5	267.13
	L 92210587	s	#7.5	261.42
<i>#Includes R&R Wheelhouse Brace, w/H/Lamp Mounting Panel Removed Deduct 1.0</i>				
6 Bracket, Valve (b)	R 92122790		50.06	
7 Bracket, Horn (b)	L 92122794		14.45	
	<i>(b) Included w/Wheelhouse Panel Assy</i>			
8 Brace, Wheelhouse	R/L 92122927-6	s	3.5	88.43

SUB-FRAME

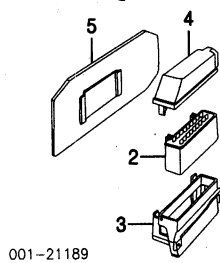
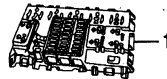
Illustration Located in Next Column

1 Sub-Frame	92162637	m	#4.9	560.76
	<i>#Includes Suspend Engine Assy</i>			
2 Bolt, Frame	R/L 92138396		19.15	
	<i>#Order by Application</i>			



001-19790

ELECTRICAL COMPONENTS



001-21189

1 Block, Fuse	92050673	m	32.68
2 Module, PCM	89017739	m	.6 R505.83
3 Housing, Module	92163418		26.84
4 Cover, Module	92117908	.1	22.63
5 Shield, Module	92084875		70.86
Box, Fuse	04 92169852	.1	25.51
Retainer, Fuse Block	05-06 92170155	.1	35.47
	92096239	m	47.27
	92141888		3.88

AIR BAG SYSTEM

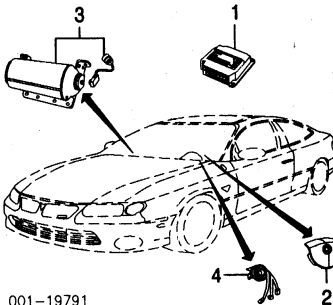
Use Procedure Explanation 30 with the following text.

Disable & Enable Air Bag System	m	.5
Diagnose Air Bag System (If Required)	m	#5
<i>#Includes Disconnect & Connect Scan Tool & Retrieve/Clear Trouble Codes</i>		

NOTE 1: R&R Does Not include disable and enable or diagnose Air Bag System.

NOTE 2: Refer to Procedural Explanation 30 for Supplemental Restrain/Air Bag System Component Inspection and Replacement Information.

NOTE 3: For Air Bag System Service procedures, refer to Manufacturer's Service Repair Manual or Mitchell's Air Bag Service and Repair Manual.



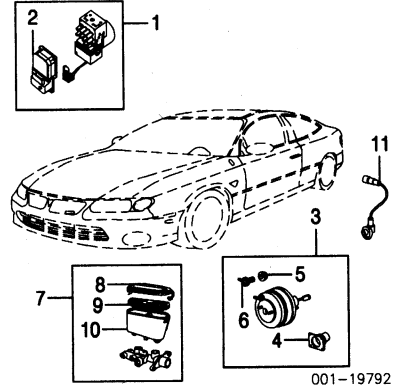
001-19791

1 SDM Unit	92166661	m	1.0	338.60
2 Module, Driver Air Bag	92123175	m	.4	687.96
3 Module, Passenger Air Bag	92156136	m	#6	687.96
<i>#w/Instrument Panel Removed</i>				
Sensor, Front Impact	N.A.	m		0.00
4 Coil, SIR	92147955	m	.7	165.42
<i>Pretensioner, Seat Belt-See Seat Belts Section</i>				
<i>#Serviced w/Seat Belt Buckle</i>				

ABS/BRAKES

Bleed System	m	.6
--------------	---	----

NOTE: R&R Does Not include bleed brake system.



001-19792

1 Module Assy, ABS	04 92155958	m	.9	2749.52
	05 92174554	m	.9	2563.07
	06 92181248	m	.9	1728.20
2 Valve, Brake Modulator (a)	04 92147283	m	1.5	1516.01
	05 92148309	m	1.5	1022.38
	06 92149095	m	1.5	1079.99
<i>(a) Included w/ABS Module Assy</i>				
<i>Bracket, Valve (b)-See Front Inner Structure Section</i>				
<i>(b) Included w/Wheelhouse Panel Assy</i>				
3 Booster Assy, Brake	04 92108390	m	#2.3	387.88
	05-06 92171294	m	#2.3	263.00
<i>#Includes R&R Master Cylinder</i>				
4 Boot, Booster (b)	04 92140413	m		8.72
	05-06 N.A.	m		0.00
5 Grommet, Booster (b)	04 92140412	m		8.72
	05-06 N.A.	m		0.00
6 Valve, Check (b)	04 9938160	m		25.32
	05-06 N.A.	m		0.00
<i>(b) Included w/ABS Booster Assy</i>				
7 Cylinder Assy, Master	04 92156713	m	1.1	280.41
	05-06 92121736	m	1.1	199.57
8 Cap, Cylinder (c)	04 92146720			20.29
	05-06 92170521			8.27
9 Gasket, Cylinder (c)	04 92113045	m		22.94
	05-06 N.A.	m		0.00
10 Reservoir, Cylinder (c)	04 92140387	m	.4	17.61
	05-06 92157998	m	.4	18.99
<i>(c) Included w/Master Cylinder Assy</i>				
11 Sensor, Rear ABS	92050125	m	.9	114.00
Switch, Elect Track Cont	12450039	m	.3	12.31

CRUISE CONTROL SYSTEM

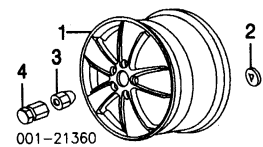
Module, Cruise Control	25336989	m	.6	262.20
Relay, Cruise Control	92051068	m	.3	14.24
Switch, Cruise Control	92077936	m	.3	26.41

WHEEL

Use Procedure Explanation 10 with the following text.

ALLOY WHEEL

Refinish Wheel		.5
Add to R&L Spare Wheel & Tire Assy		.2



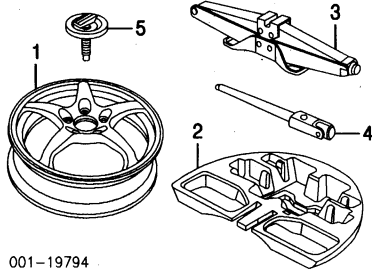
001-21360

Wheel, Alloy	92176996	.3	427.80
1 17x8	92155956		78.10
2 Cap, Center	9594681		4.65
3 Nut, Wheel	92115769		5.77
4 Cap, Wheel Nut	9439866		2.04
Stem, Valve (a)			
	<i>(a) Order by Application</i>		
Lock Kit, Wheel			
Dealer Installed	12498081		205.00
	<i>#Order by Application</i>		

SPARE WHEEL & HARDWARE

Illustration Located in Next Column

1 Wheel, Spare	92156731		403.99
17x4	92209688		56.95
2 Container, Jack	92209033		43.26
3 Jack	3540049		25.63
4 Handle, Jack	92085619		0.00
5 Bolt, Spare Wheel			



001-19794

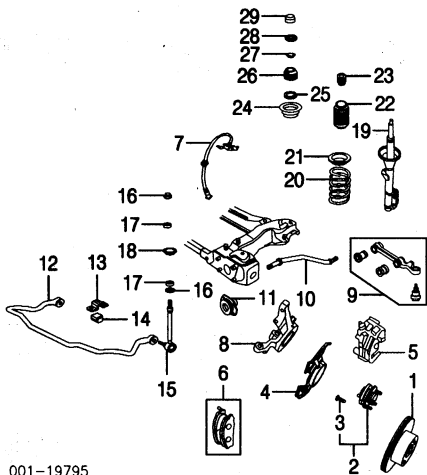
FRONT SUSPENSION

Use Procedure Explanation 11 with the following text.

R&I Suspension (One Side).....	R/Lm	2.0
O/H Suspension (Includes R&I)		
One Side.....	R/Lm	3.2
Both Sides.....	m	6.0
Adjust Four Wheel Alignment.....	m	2.4
Adjust Front Wheel Alignment.....	m	1.6
Bleed Brake System.....	m	.6

NOTE 1: R&I/R&R or O/H Does Not include alignment or bleed brake system.

NOTE 2: All Parts in this section are included in overhaul unless noted otherwise.



001-19795

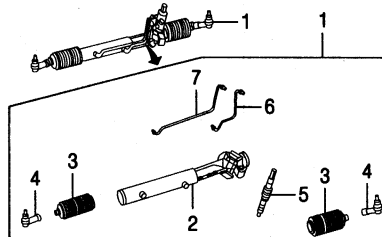
1 Rotor, Brake	04 R/L 92057139	m #.6	134.00
	05-06 R/L 92161569	m #.6	187.06
#R&R Both 1.0			
2 Hub/Bearing Assy	R/L 92115771-2	m #1.0	365.76
3 Stud, Wheel	R/L 92143367	m #1.0	14.52
<i>¶Included w/Hub/Bearing Assy</i>			
4 Shield, Brake	R/L 92053038-9	m #1.0	32.17
#R&R One Side Complete, R&R Both Sides 1.8, Includes R&R Rotor			
5 Caliper, Brake	04 R/L 92147145-6	m #.5	200.48
	05-06 R/L 92175206-7	m #.5	389.52
#R&R Both .8, w/Rotor Removed Deduct .3			
6 Pad Set, Brake	04 92155977	m #1.0	155.00
	05-06 92175204	m #1.0	237.26
#Deduct .5 for Each Caliper Removed			
7 Hose, Brake	04 R/L 92156686-7	m #.3	72.27
	05-06 R 92162972	m #.3	109.62
	L 92162974	m #.3	109.62
#w/Caliper Removed Deduct .2			
8 Knuckle, Steering	04 R 92171966	m #1.2	255.72
	L 92171965	m #1.2	260.83
	05-06 R/L 92173659-8	m #1.2	260.83
#Includes R&R Rotor, Hub & Splash Shield, R&R Both Sides 2.2			
9 Arm, Lower Control	R/L 92081620-1	m #1.3	371.62
#w/Knuckle Removed Deduct .5, R&R Both Sides 2.4			
10 Rod, Control Arm	R/L 92049403	m #.9	71.48
11 Bushing, Control Arm	R/L 92047105	m #.9	222.00
#R&R One Side Complete, w/Control Arm Removed Deduct .5			
12 Shaft, Stabilizer	92111615	m #1.8	147.91
#Includes R&R Stabilizer Links, Brackets & Bushings, Not Included in O/H			
13 Bracket, Bushing	R/L 92048207	m #.5	4.07
14 Bushing, Bar	R/L 92111853	m #.5	8.54
#R&R One Side Complete, Not Included in O/H			
15 Link, Stabilizer	R/L 92078631	m #.4	63.69
16 Washer, Link (2/Side)	R/L 92083750	m #.4	4.28
17 Insulator, Link (2/Side)	R/L 92159373	m #.4	4.07
18 Retainer, Link	R/L 92039709	m #.4	4.28
#R&R Complete, Not Included in O/H			
19 Strut	R/L 92158549-50	m #2.0	136.45
20 Spring	R/L 92048199	m #2.0	82.30
21 Insulator, Upper Spring	R/L 92002882	m #2.0	8.17

22 Shield, Dust	R/L 92039331	m #2.0	19.28
23 Bumper, Strut	R/L 90125889	m #2.0	36.36
24 Seat, Upper Spring	R/L 92039205	m #2.0	22.24
25 Bearing, Strut	R/L 92046063	m #2.0	38.99
26 Mount, Strut	R/L 92048903	m #2.0	42.40
27 Washer, Strut	R/L 92138049	m #2.0	1.14
28 Stop, Strut	R/L 92083691	m #2.0	22.77
#R&R One Side Complete, R&R Both Sides 3.8, w/Knuckle Removed Deduct .9			
29 Cap, Strut	R/L 92077049		4.07

FRONT STEERING LINKAGE/GEAR

R&I Steering Gear.....m 2.0

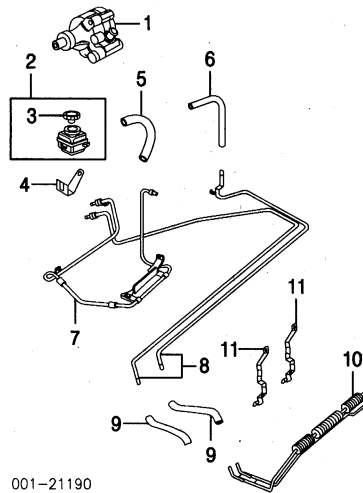
NOTE: R&I/R&R Does Not include check or adjust alignment.



001-19796

1 Gear Assy, Steering	04 92155946	m 2.2	769.08
	05-06 92161579	m 2.2	739.50
2 Housing, Gear	92141227	m	393.54
3 Boot, Steering Gear	R/L 92146712	m #.6	60.01
#Includes R&R Tie Rod End			
4 End, Tie Rod	R/L 92143049	m .3	73.86
5 Shaft, Pinion	92145976	m	526.17
6 Line, Steering			
Short	92147014	m	35.42
Long	92147013	m	35.42
¶Included w/Steering Gear Assy			

STEERING PUMP



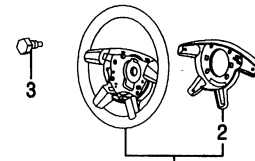
001-21190

1 Pump, Steering	04 26086859	m 1.0	599.00
	05-06 92161580	m 1.0	346.32
2 Reservoir Assy	04 92176477	m .5	61.14
	05-06 92176477	m .5	61.14
3 Cap, Reservoir	92140393		51.93
¶Included w/Reservoir Assy			
4 Bracket, Reservoir	04-05 92057323		18.26
	06 92068168		37.21
5 Hose, Reservoir Outlet	04 92105715	m .3	27.08
	05-06 92121137	m .3	12.42
6 Hose, Reservoir Inlet	92105714	m .3	23.98
7 Hose, Pressure	04 92155948	m .9	185.84
	05-06 92161582	m .9	54.96
8 Tube, Fluid (a) (2)	92156273	m .8	119.38
(a) Order by Application			
9 Hose, Cooler (2)	92209162	m .4	15.05
10 Pipe, Fluid Cooling	92155947	m .7	109.05
11 Bracket, Cooler Pipe (2)	92100693		6.68

STEERING WHEEL/COLUMN

NOTE: All Parts in this section are included in overhaul unless noted otherwise.

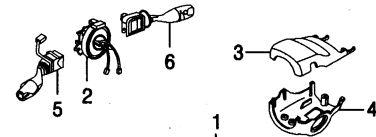
WHEEL & TRIM



001-19799

1 Wheel Assy, Steering			
Blue	04 92110122	m .5	398.56
	05-06 92148391	m .5	398.56
Red	04 92110120	m .5	398.56
	05-06 92148389	m .5	398.56
Fusion	06 92149069	m .5	536.39
Silver	04 92113083	m .5	406.53
	05-06 92148390	m .5	574.29
Yellow	04 92113084	m .5	398.56
	05 92148392	m .5	398.56
2 Shroud, Strg Wheel	92146327	m	30.63
¶Included w/Steering Wheel Assy			
Switch, Radio Control	04 92111621	m .3	138.01
	05-06 92148380	m .3	147.79
3 Bolt, Steering Wheel	92138728	m	3.88

COLUMN TILT



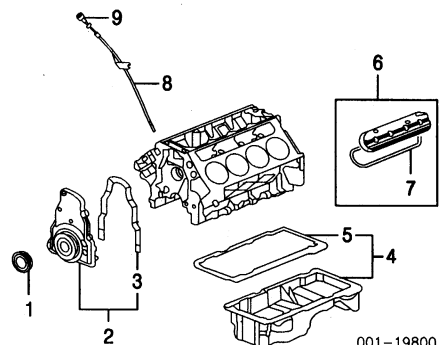
001-21191

1 Column, Steering	04 92148167	m 1.6	853.88
	05-06 92148564	m 1.6	820.93
2 Coil, SIR-See Air Bag System Section			
3 Cover, Upper Column	04 92090334	#.3	48.94
	05-06 92162622	#.3	74.14
4 Cover, Lower Column	04 92090335	#.3	47.49
	05-06 92162623	#.3	74.14
#R&R Complete			
5 Switch, Turn Signal	92089546	m .8	106.20
6 Switch, Wiper	92089551	m .8	66.29

ENGINE/TRANS

Use Procedure Explanation 12 with the following text.

R&I Engine/Trans Assy.....m 10.6

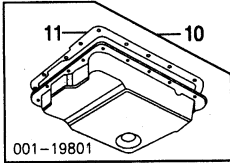


001-19800

1 Balancer	12553118	m .8	123.67
2 Cover Assy, Timing	04 12561243	m #1.6	83.58
	05-06 12600325	m #1.6	102.67
#Includes R&R Balancer			
3 Gasket, Timing Cover	04 12574294	m	21.61
	05-06 12574294	m	21.61
¶Included w/Timing Cover Assy			
4 Pan Assy, Engine Oil	12581209	m #.6	302.64
#w/Engine/Trans Assy Removed			
5 Gasket, Oil Pan (a)	12558760	m	35.19
(a) Included w/Engine Oil Pan Assy			

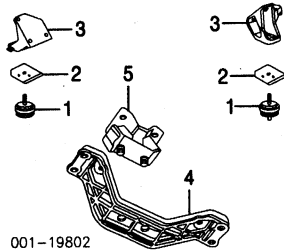
ENGINE/TRANS Cont'd

6 Cover Assy, Valve	R 12582224 L 12570427	m #1.6 m #2.0	95.95 121.44
#R&R Both 3.0			
7 Gasket, Valve Cover (b)	R/L 12560696	m	19.95
<i>(b) Included w/Valve Cover Assy</i>			
8 Tube, Eng Dipstick	92066941	.5	8.07
9 Dipstick, Eng Oil	92067147		7.32



10 Pan Assy, Trans Oil	24229658	m .9	71.97
11 Gasket, Trans Pan (c)	8654799	m	7.51
<i>(c) Included w/Trans Oil Pan Assy</i>			

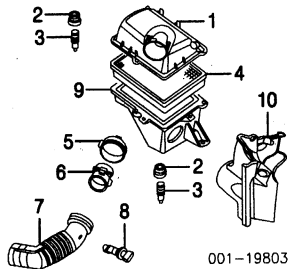
ENGINE/TRANS MOUNTS



1 Mount, Eng	R/L 92084910	#5	54.82
2 Shield, Eng Mount	R/L 92081757		2.93
3 Bracket, Eng Mount	R 92056790 L 10260642	#5 #5	98.83 75.39
#R&R One Side Complete, w/Exhaust Manifold Removed			
4 Support, Trans Mount			
Man Trans	92059842	#8	83.79
Auto Trans	92065709	#8	69.63
#Includes R&R Trans Mount			
5 Mount, Trans			
Man Trans	92053496	.6	69.18
Auto Trans	92057224	.6	69.18

AIR CLEANER

R&I Air Cleaner Assy4

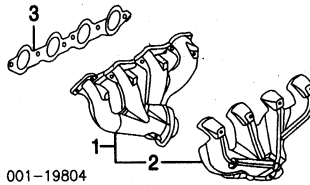


1 Cover, Air Cleaner	04 92108608 05 92169910 06 92181085	2 2 2	77.27 46.89 46.87
2 Insulator, Air Cleaner (3)	25099300		8.87
3 Retainer, Air Cleaner (3)	12550385		.56
4 Element, Air Cleaner	04 92082656 04 92068161	.3 .3	0.00 0.00
5 Adapter, Air Flow Sensor	04 25162676 05-06 92169911		101.09 101.09
6 Sensor, Mass Air Flow Duct, Outlet	04 25179711 04 92108718	m .2	244.99 119.30
7 Sensor, Air Temp	05-06 92067496	.2	58.07
8 Sensor, Air Temp	12160244	m .3	18.96
9 Housing, Air Cleaner	04 92158023 05-06 92182096	.4 .4	66.57 54.20
10 Duct, Front Intake	04 92156860 05-06 92121939	.2 .2	59.16 55.77

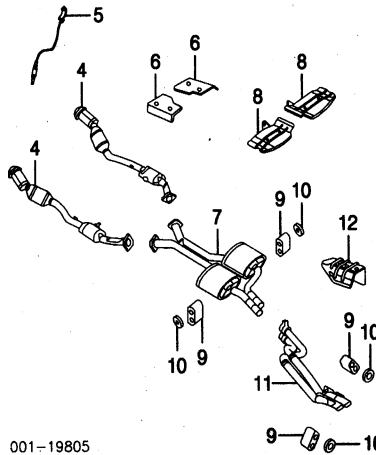
EXHAUST

5.7L ENG

R&R Exhaust System Complete #2.2
#Does Not Include R&R Exhaust Manifolds or Shields



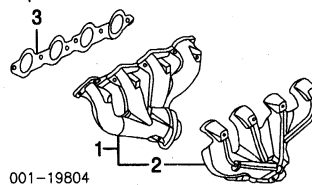
1 Manifold Assy, Exhaust	R 12563278 L 12563277	m 2.0 m 3.4	301.87 301.87
2 Shield, Manifold	R 12563280 L 12563279		28.83 0.00
#Included w/Exhaust Manifold Assy			
3 Gasket, Manifold	R/L 12558573	m	12.61



4 Converter, Catalytic	R 92066695 L 92066694	#8 #8	714.78 705.65
5 Sensor, Oxygen			
Front	R/L 12569429	#5	77.49
Rear	R/L 25327985	#5	168.54
#Each Additional .3			
6 Shield, Front Exhaust	R 92091870 L 92091871		23.43 23.44
7 Muffler	92066696	.8	593.40
8 Shield, Muffler Heat	R 92122339 L 92051018	#3 #3	18.95 24.78
#w/Exhaust System Removed			
9 Insulator, Exhaust Hanger (2/Side)	R/L 92040679		7.79
10 Retainer, Hanger (2/Side)	R/L 90284660		1.86
11 Pipe, Exhaust	92066697	.6	566.06
12 Shield, Pipe Heat	92157202	#3	33.66
#w/Exhaust System Removed			

6.0L ENG

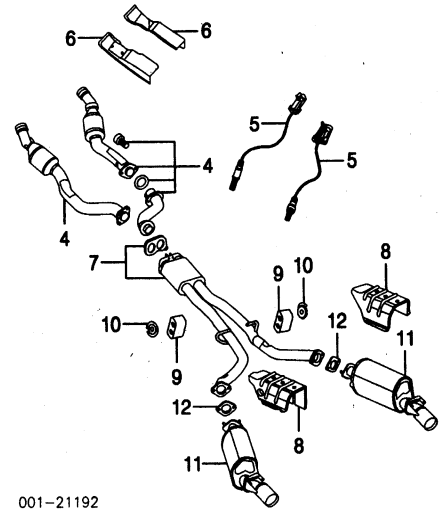
R&R Exhaust System Complete #2.2
#Does Not Include R&R Exhaust Manifolds or Shields



1 Manifold Assy, Exhaust	05 R 12563278 L 12563277	m 3.7 m 4.8	301.87 301.87
2 Shield, Manifold	06 R 12603156 L 12603157	m 3.7 m 4.8	193.86 192.63
3 Gasket, Manifold	R 12563280 L 12563279		28.83 0.00
#Included w/Exhaust Manifold Assy			
3 Gasket, Manifold	R/L 12558573	m	12.61

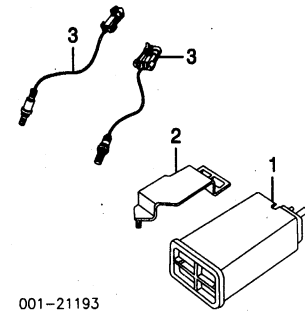
Illustration Located in Next Column

4 Converter, Catalytic	R 92161757 L 92161756	#8 #8	828.59 760.29
#R&R Both 1.4			
5 Sensor, Oxygen			
Front	R/L 12569429	#5	77.49
Rear	R/L 25327985	#5	168.54
#Each Additional .3			
6 Shield, Front Exhaust	R/L 92156792-1		42.10
7 Muffler, Intermediate	92161760	.8	593.40



8 Shield, Rear Heat	R 92161764 L 92122342	#3 #3	47.73 33.00
#w/Exhaust System Removed			
9 Insulator, Exhaust Hanger (2/Side)	R/L 92040679		7.79
10 Retainer, Hanger (2/Side)	R/L 90284660		1.86
11 Muffler, Rear	R/L 92161762-1	.6	563.69
12 Gasket, Exhaust Pipe	R/L 92111705		8.95

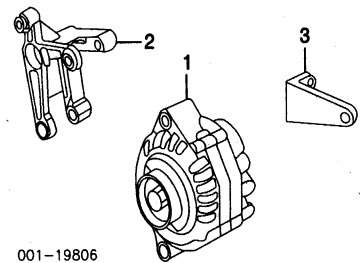
EMISSION SYSTEM



1 Canister, Vapor	17113332	m .7	142.70
2 Bracket, Canister	92120558		19.45
3 Sensor, Oxygen-See Exhaust Section			

ELECTRICAL

ALTERNATOR

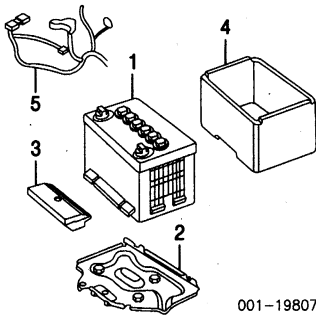


1 Generator	04 92058857 05-06 92211821	m 1.3 m 1.3	892.68 900.00
2 Bracket, Mounting	12563327		20.49
3 Brace, Rear	92059707		23.33

BATTERY

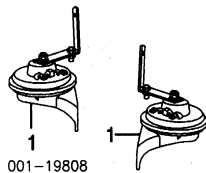
Illustration Located in Next Column

1 Battery	N.A.	.3	0.00
2 Tray, Battery	92111003	#2	57.12
#w/Battery Removed			
3 Retainer, Battery	92111007		19.51
4 Cover, Battery	92056722		80.21



5 Harness, Battery N.A. m 0.00

HORN

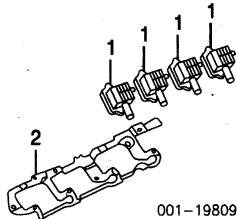


001-19808

1 Horn Kit
400Hz 92159105 #.1 54.61
500Hz 92159104 #.1 54.61
#w/Front Cover Removed
Relay, Horn 92109510 m .3 20.37

IGNITION

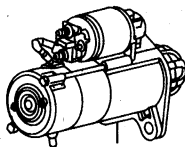
R&R Ignition Coils Complete.....R/Lm #.7
#R&R Both Sides 1.2



001-19809

1 Coll. Ignition (4/Side)
2004 R/L 12558948 m .4 69.40
2005
1st Design R/L 12570616 m .4 78.55
2nd Design R/L 12573190 m .4 87.52
2006 R/L 12573190 m .4 87.52
2 Bracket, Coll 04 R/L 12563288 16.36
05-06 R/L 12580353 29.10
Module, PCM-See Front Inner Structure Section

STARTER



001-14547

1 Motor, Starter 92169668 m 1.5 373.63

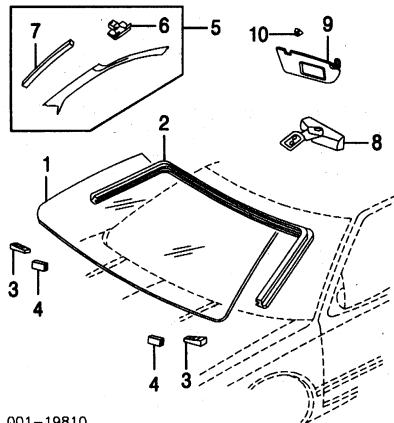
WINDSHIELD

Use Procedure Explanation 13 with the following text.

R&I Windshield.....#3.9
#Includes Clean Up Old Adhesive as Necessary

Illustration Located in Next Column

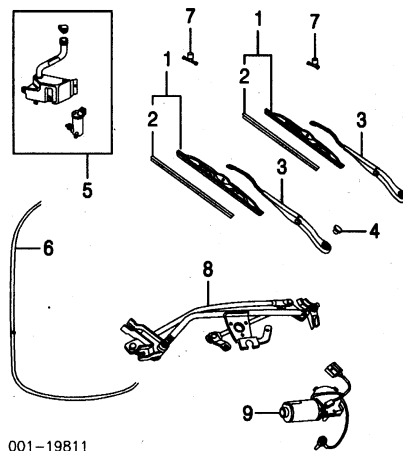
1 Windshield
Pontiac 92209196 #3.5 357.60
NAGS DW01532GBN #3.5 231.10
#Includes Clean Up Old Adhesive as Necessary
Adhesive, Windshield N.A. 0.00



001-19810

2 Moulding, Reveal 92077743 #3.5 62.90
#Included in R&I/R&R Windshield
3 Guide, Windshield R/L 92075426 12.76
4 Spacer, Windshield R/L 92115927 17.42
5 Moulding Assy, Garnish R 92155404 .2 414.10
L 92155403 .2 437.29
6 Clip, Moulding (6/Side) R/L 15549438 .72
7 Seal, Moulding R/L 92087047 22.00
#Included w/Garnish Moulding Assy
8 Mirror, Rear View 92084967 .2 46.80
9 Sunshade R 92209906 .2 205.58
L 92209905 .2 207.72
10 Support, Sunshade R/L 92119441 35.54

WIPER SYSTEM



001-19811

1 Blade Assy, Wiper R 92057198 .1 #24.00
L 92076914 .1 #24.00
2 Insert, Wiper R/L N.A. .1 0.00
#Included w/Wiper Blade Assy
3 Arm, Wiper R/L 92082424-3 #.2 54.39
#Includes R&I/R&R Wiper Blade Assy
4 Cap, Wiper Arm R/L 92054485 .2 12.98
5 Tank, Washer 92113898 #.2 120.40
#w/Battery Removed
6 Cap, Washer Tank 92140529 2.72
Hose, Washer (a) N.A. 0.00
(a) Cut to Fit
7 Nozzle, Washer R/L 92092007 #.2 26.79
#Included in R&R Hood
8 Trans, Wiper 92118647 #.7 168.50
9 Motor, Wiper 92163957 #.7 360.36
#R&R Complete

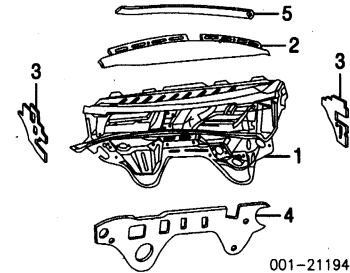
COWL & DASH

Use Procedure Explanations 14 and 28 with the following text.

Refinish Dash Panel..... 1.5

Illustration Located in Next Column

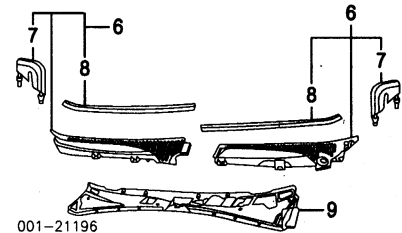
1 Panel, Dash
2004 92113962 #5.8 330.99
2005-06 92209797 #5.8 337.56
2 Insulator, Upper Dash R/L 92080223 #.3 59.32
3 Insulator, Side Dash R/L 92046734-5 #.2 9.63
#Order by Application



001-21194

#w/Boiled Parts & Assemblies Removed

4 Insulator, Lower Dash 92111500 42.86
5 W/Strip, Hood Rear Panel, Air Inlet N.A. 0.00
Nozzle, Washer-See Windshield Section N.A. .3 0.00



001-21196

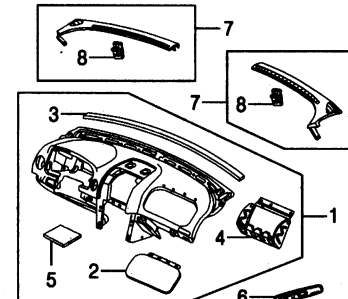
6 Grille Assy, Cowl R/L 92052118-9 #.6 28.67
#Includes R&I/R&R Wiper Arms
7 Seal, Hood Hinge (a) R/L 92055830-1 6.97
8 Seal, Panel (a) R 92055395 6.60
L 92055394 0.00
(a) Included w/Cowl Grille Assy
9 Deflector, Plenum Water 92054218 35.35

INSTRUMENT PANEL

Use Procedure Explanation 14 with the following text.

R&I Instrument Panel.....m 3.8

NOTE: All Parts in this section are included in R&I Instrument Panel unless noted otherwise.



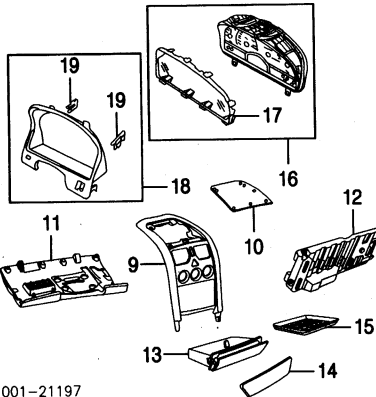
001-21195

1 Panel Assy, Instrument 92164477 m 5.6 964.90
2 Cover, Pass Air Bag 92106674 .2 302.56
3 Seal, Instrument Panel 92078986 22.45
4 Bracket, Air Bag Module 92084831 55.01
5 Insulation, Inst Panel 04 92053232 12.77
05-06 92059453 12.77
#Included w/Instrument Panel Assy
Switch, Inst Panel 94580496 .3 4.99
6 Nameplate (Adhesive) 92157484 .2 21.43
7 Grille Assy, Defroster R 92105091 .3 79.42
L 92105093 .3 79.42
8 Clip, Grille (a) (4/Side) R/L 92138612 12.33
(a) Included w/Defroster Grille Assy

Illustration Located in Next Column

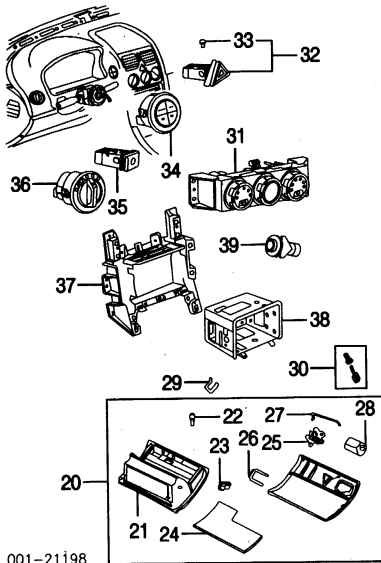
9 Plate Assy, Center Trim 92109855 .4 134.95
Clip, Trim Plate (h) (4) 92100198 12.43
(h) Included w/Center Trim Plate Assy
10 Plate, Center Access Cover 92168900 .2 28.98
Panel, Lower Trim
11 Driver Side
Anthracite 92155323 .3 434.21
Blue 92158993 .3 303.99
Purple 92159000 .3 303.99
Red 92158939 .3 303.99
12 Passenger Side 92172757 .3 101.38

INSTRUMENT PANEL Cont'd



001-21197

13 Compartment, Inst Panel	92146467		69.37
14 Door, Compartment	92146292		59.32
15 Liner, Compartment	92084462		15.14
16 Cluster Assy, Instrument (e)			
Blue	92174645	m .8	0.00
Red	92174647	m .8	0.00
Purple	92174644	m .8	0.00
Silver	92175939	m .8	0.00
Yellow	92174646	m .8	0.00
<i>(e) Dealer Contact Required</i>			
17 Lens, Cluster (b)	92145552		36.85
<i>(b) Included w/Instrument Cluster Assy</i>			
18 Plate Assy, Cluster Trim	92110118	.3	140.36
19 Clip, Trim Plate (c) (i) (7)	92100198		12.43
<i>(i) Included w/Cluster Trim Plate Assy</i>			
<i>(c) Order by Application</i>			



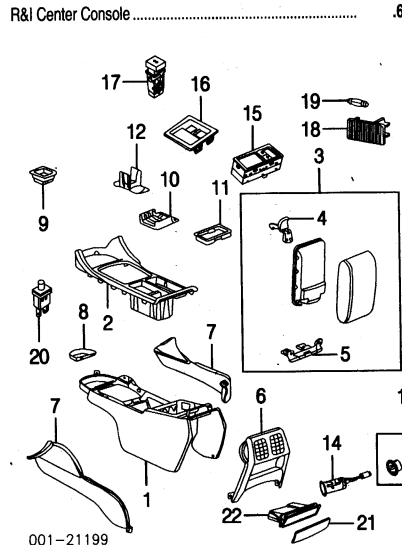
001-21198

20 Compartment Assy, Glove			
Blue	92158990	.3	380.41
Red	92158937	.3	380.41
Purple	92158998	.3	388.02
Yellow	92155325	.3	362.09
21 Compartment, Glove (d)	92158183	.4	64.83
22 Bumper, Compartment (d)	92166561		12.51
23 Bumper, Outer (d)	R 92166561		12.51
	L 7418993		12.67
24 Liner, Compartment (d)	92155003		12.51
25 Latch, Compartment (d)	22672011	.2	21.60
26 Retainer, Latch (d)	92100762		13.08
27 Rod, Latch (d)	92155329		3.76
28 Actuator, Latch Release (d)	92103100	.2	72.17
<i>(d) Included w/Glove Compartment Assy</i>			
Screw, Panel (e)	R/L N.A.		0.00
Bolt, Instrument Panel (e)	R/L N.A.		0.00
<i>(e) Non-Reusable Part</i>			
29 Striker, Latch	92169099	.1	6.54
30 Lock, Glove Box	92109763	.2	116.64
31 Control, A/C/Heater	92111502	m .5	227.39
32 Switch Assy, Hazard	92084580	.2	68.52
33 Bulb, Switch (g)	92146358		3.30
<i>(g) Included w/Hazard Switch Assy</i>			
34 Switch, Trip Computer	92111624	.2	46.06
35 Switch, Fuel Door Release	92111627	.2	33.49
36 Switch, Headlamp/Fog Lamp	92111632	.3	66.31
Radio (k)	N.A.	.5	0.00
<i>(k) Serviced by AC-Delco Only, Contact Dealer</i>			

37 Bracket Assy, Radio	92100725		16.91
Nut, Mounting (i) (3/5ide)	R/L 17988488		1.24
<i>(i) Included w/Radio Bracket Assy</i>			
38 Housing, Radio	92093916	.2	12.16
39 Switch, Lugg Lid Release	92056727		10.17
Smoker Kit			
Dealer Installed	92110979		89.00

CENTER CONSOLE

Use Procedure Explanation 14 with the following text.



001-21199

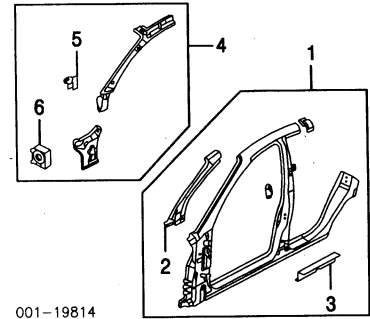
1 Console, Center	92109707	1.3	142.77
2 Cover Assy, Console (a)	04 92109675	.5	d90.96
	05-06 92166193	.5	155.10
<i>(a) Order by Application</i>			
Clip, Trim Plate (a)	N.A.		0.00
<i>(a) Included w/Console Cover Assy</i>			
3 Door Assy, Console	92159543	.2	221.92
4 Latch, Console Door (b)	92158983		3.76
5 Hinge, Door (b)	92084757		52.26
<i>(b) Included w/Console Door Assy</i>			
6 Housing, Rear Console	92084240		155.73
7 Panel, Side Console			
Anthracite	R 92155339		210.18
	L 92155338		206.06
Blue	R 92158997		303.99
	L 92158995		303.99
Purple	R 92159004		303.99
	L 92159002		303.99
Red	R 92158943		298.03
	L 92158941		292.19
Liner, Console			
8 Front	92084507		16.27
9 Center	92100192		16.18
10 Rear	92084794		18.08
11 Liner, Compartment	92109103		18.96
12 Liner, Cup Holder	92090768		17.54
13 Bezel, Power Socket	92108107		12.27
14 Receptacle, Power	92100712		35.34
Ashtray	92110976		100.00
15 Switch, Window	92111692	.2	83.10
16 Bezel, Traction Control Switch	04 92111639		17.61
	05-06 92165670		17.02
17 Switch, Elect Track Cont	04 92145669		38.33
	05-06 92165676		34.86
18 Lamp, Console	92109218		5.92
19 Bulb, Console Lamp	11015639		2.41
20 Switch, Console Lamp	94580496		4.99
21 Door, Rear Console	92121016		59.32
22 Compartment, Console Rear	92109643		86.07

ROCKER/PILLARS/FLOOR

Use Procedure Explanations 14, 15 and 28 with the following text.

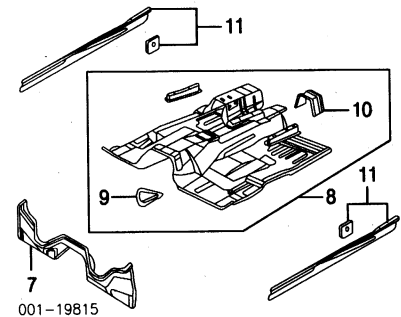
SHEET METAL			
Refinish Door Opening Frame.....	R/L	4.1	
Refinish Hinge Pillar.....	R/L	1.0	
Refinish Lock Pillar.....	R/L	.5	
Refinish Rocker Panel.....	R/L	1.0	
Section Hinge Pillar.....	R/L	#8.2	
<i>#w/Wheelhouse Brace Removed, Time is to Cut in Door Opening & Windshield Opening</i>			
Section Lock Pillar.....	R/L	#5.0	
Section Rocker Panel.....	R/L	#7.0	
<i>#w/Quarter Panel Removed</i>			

NOTE: For sectioning information refer to Manufacturer's Collision Repair Manual.



001-19814

1 Frame Assy, Door Opening	R/L 92167948-9	s #13.1	728.65
<i>#w/Quarter Panel Removed</i>			
2 Reinforcement, Pillar (a)	R 92087438	s 1.5	0.00
	L 92087439	s 1.5	238.03
3 Plate, Jacking (a)	R/L 92040027	s 1.0	44.91
<i>(a) Included w/Door Opening Frame Assy</i>			
4 Panel Assy, Inner Pillar	R 92167924	s 3.5	171.78
	L 92167926	s 3.5	171.78
5 Bracket, Pillar (a)	L 92050033		17.37
6 Nut, Support (a)	R/L 11036682		.59
<i>(a) Included w/Inner Pillar Panel Assy</i>			



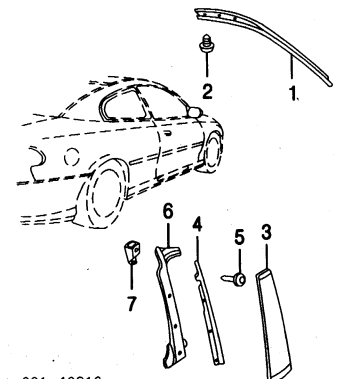
001-19815

7 Extension, Floor	92167934		16.85
8 Panel Assy, Floor	92123108		775.01
9 Bracket, Trans Support (b)	R/L 92052478-9		42.42
10 Bracket, Seat (b)	92161915	1.5	225.37
<i>(b) Included w/Floor Panel Assy</i>			
11 Panel, Inner Rocker	R/L 92122890-89	s 3.5	133.37

EXTERIOR TRIM

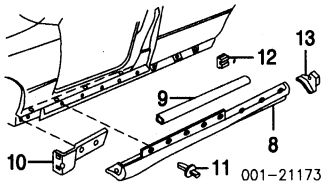
Refinish Front Rocker Moulding.....	R/L	1.0	
R&I Upper Pillar Moulding.....	R/L	3	
R&I Side Pillar Trim.....	R/L	.2	
R&I Front Rocker Moulding.....	R/L	5	
R&R Stone Guard.....	R/L	#2	

#Time is for installation only



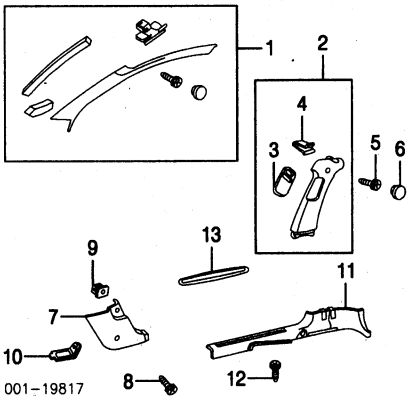
001-19816

1 Moulding, Upper Pillar	R/L 92093573-4	.3	90.57
2 Bolt, Moulding (3/5ide)	R/L 92138769		3.76
3 Trim, Side Pillar	R/L 92093112-1	#2	84.56
4 Strip, Sealing	R/L 92092909-10	#2	43.08
<i>#R&R One Side Complete</i>			
5 Screw, Retaining (3/5ide)	R/L 92138020		1.37
6 Panel, Trim	R/L 92104668-9	#1	44.08
<i>#w/5ide Pillar Trim Removed</i>			
7 Retainer, Panel	R/L 92078370-1		13.57



8 Moulding, Front Rocker (P) Factory Installed	R 92093600 L 92093602	.5 .5	104.49 104.49
(P) Paint to Match			
Moulding, Rocker Panel Dealer Installed-See Ground Effects Section			
9 Seal, Rocker Moulding	R/L 92115954-3		22.97
10 Bracket, Rocker Moulding	R/L 92053110-1		13.49
11 Retainer, Push-In (a)	R/L 92138359		3.80
(a) As Required			
12 Retainer, Rocker Mldg (3/Side)	R/L 92059946		14.90
13 Moulding, Rear Rocker Guard Kit, Stone]	R/L 92078834-5		19.61
Dealer Installed	12340641	#	104.00
*Order by Application			
#See Headnotes for Labor Time			

INTERIOR TRIM



1 Moulding Assy, Garnish-See Windshield Section	R/L 92155410-09	#.2	294.43
#w/Lower Quarter Trim Panel Removed			
3 Adjuster, Belt Guide]	R 92117986 L 92117987		50.28 46.91
4 Clip, Moulding] (2/Side)	R/L 92138612		12.33
*Included w/Pillar Moulding Assy			
5 Bolt, Moulding	R/L 92138020		1.37
6 Cover, Bolt	R 92119439		1.48
7 Trim, Cowl Side	R 92118922 L 92118921	.3 .3	112.61 44.08
8 Bolt, Trim (2/Side)	R/L 92138339		3.63
9 Nut, Mounting (2/Side)	R/L 92138009		12.44
10 Clip, Trim	R/L 90460559		4.75
11 Retainer, Floor Carpet	R/L 92104656-7	#.2	27.73
#w/Rear Seat Cushion Removed			
Lamp Assy, Step	R/L 92059511		8.10
Bulb, Lamp (a)	R/L 92138153		4.83
Lens, Lamp (a)	R/L 92038563		3.47
(a) Included w/Step Lamp Assy			
12 Bolt, Retainer (4/Side)	R/L 92138388		3.88
13 Plate, Scuff	R/L 92094381	.1	14.34
Weatherstrip, Door Opening On Body	R/L 92092914	#.3	54.12
#w/Necessary Trim Removed			

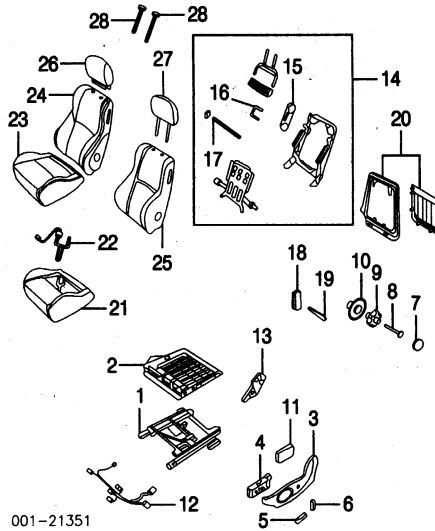
FRONT SEAT

Use Procedure Explanation 30 with the following text.

R&I Seat Assy	R/L	.3
---------------	-----	----

Illustration Located in Next Column

1 Adjuster, Seat Passenger Side	04 92146835 05 92148431 06 92149280	#.3 #.3 #.3	863.43 775.89 631.80
Driver Side	92146836	#.3	760.69
2 Frame, Seat Cushion Passenger Side Driver Side	92146821 92146821	#.5 #.5	157.97 157.97
#w/Seat Assy Removed			
3 Bezel, Switch Passenger Side Driver Side	92148274 92148269	#.2 #.2	41.44 41.44
4 Switch, Seat			



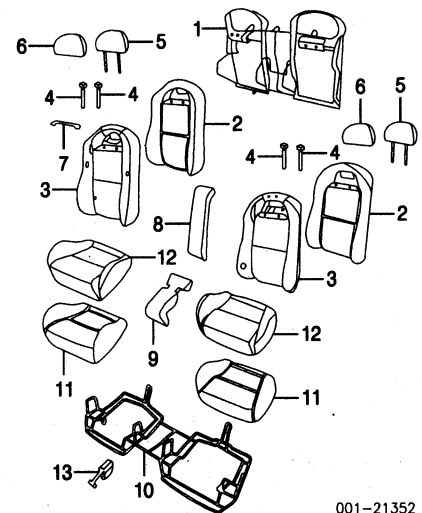
Passenger Side	92141025	#.2	185.32
Driver Side	92141024	#.2	169.79
#R&R One Side Complete			
5 Knob, Adjuster Passenger Side Driver Side	92144707 92144707		9.89 9.89
6 Knob, Recliner Passenger Side Driver Side	92144709 92144708		8.66 8.83
7 Cap, Knob Passenger Side Driver Side	92146650 92146650		5.78 5.78
8 Bolt, Support Passenger Side Driver Side	92146661 92146661		4.40 4.40
9 Knob, Lumbar Support Passenger Side Driver Side	92146649 92146649		14.04 14.04
10 Bezel, Knob Passenger Side Driver Side	92146651 92146651		11.14 11.14
11 Module, Control Passenger Side Driver Side	92146837 92146837		431.60 431.60
12 Harness, Wiring Passenger Side Driver Side	92147430 92146839		217.24 453.48
13 Cover, Belt Tensioner Passenger Side Driver Side	92144716 92144715		13.98 13.98
14 Frame Assy, Seat Back Passenger Side Driver Side	92146832 92146834	#.9 #.9	1241.38 1266.21
#w/Seat Assy Removed			
15 Insert, Seat (a) Passenger Side Driver Side	92142601 92142602		35.96 35.96
16 Retainer, Insert (a) Passenger Side Driver Side	92145479 92145480		24.12 24.12
17 Shaft, Pivot (a) Passenger Side Driver Side	92140919 92140919		31.53 31.53
(a) Included w/Seat Back Frame Assy			
18 Latch, Seat Back Passenger Side Driver Side	92147438 92147439	#.2 #.2	113.78 113.78
19 Lever, Latch Release Passenger Side Driver Side	92146823 92146824	#.2 #.2	53.81 51.95
#w/Seat Back Trim Panel Removed, R&R One Side Complete			
20 Panel, Seat Back Trim Passenger Side Driver Side	92146734 92146734	.2 .2	252.97 252.97
21 Cover, Seat Bottom Cushion Anthracite Passenger Side Driver Side	92147480 92147480	#.9 #.9	635.18 635.18
Blue Passenger Side Driver Side	92146822 92146822	#.9 #.9	562.67 562.67
Purple Passenger Side Driver Side	92147482 92147482	#.9 #.9	635.18 635.18
Red Passenger Side Driver Side	92147481 92147481	#.9 #.9	635.23 635.23
22 Switch, Seat Heater Passenger Side Driver Side	92144758 92144758		74.74 74.74
23 Cushion, Seat Bottom] Passenger Side Driver Side	92144701 92144701	#.9 #.9	151.12 151.12
*Order by Application			
#w/Seat Assy Removed, R&R One Side Complete			
24 Cover, Seat Back Anthracite			

Passenger Side	92146850	#.7	774.81
Driver Side	92146851	#.7	774.81
Blue Passenger Side Driver Side	92146828 92146829	#.7 #.7	723.84 723.84
Purple Passenger Side Driver Side	92146855 92146856	#.7 #.7	644.48 631.84
Red Passenger Side Driver Side	92146846 92146847	#.7 #.7	753.21 768.27
25 Cushion, Seat Back Passenger Side Driver Side	92146827 92146827	#.7 #.7	158.59 158.59
#w/Seat Assy Removed, R&R One Side Complete			
26 Cover, Headrest Anthracite Passenger Side Driver Side	92146852 92146852		253.78 253.78
Blue Passenger Side Driver Side	92146730 92146730		258.86 258.86
Purple Passenger Side Driver Side	92146857 92146857		258.86 258.86
Red Passenger Side Driver Side	92146848 92146848		258.86 258.86
27 Headrest Passenger Side Driver Side	92146652 92146652	.1 .1	106.99 106.99
28 Support, Headrest Locking Passenger Side Driver Side	R/L 92146646 R/L 92146646		15.99 15.99
Non-Locking Passenger Side Driver Side	R/L 92146647 R/L 92146647		15.12 15.12

REAR SEAT

Use Procedure Explanation 30 with the following text.

R&I Seat Assy		.6
R&I Seat Cushion		.2

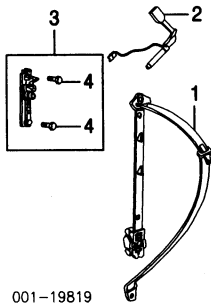


1 Frame, Seat Back	92146842	#.6	163.92
2 Cushion, Seat Back	R/L 92144769	#.6	145.95
3 Cover, Seat Back Anthracite	R/L 92146853	#.6	399.49
Blue	R/L 92147445-6	#.6	587.71
Purple	R/L 92147451-2	#.6	587.71
Red	R/L 92147447-8	#.6	587.71
#w/Seat Back Removed, R&R Complete			
4 Support, Headrest Locking Non-Locking	R/L 92146671 R/L 92146672 R/L 92144771		16.16 13.37 .1 94.32
5 Headrest			
6 Cover, Headrest Anthracite Blue Purple Red	R/L 92147453 R/L 92146840 R/L 92146859 R/L 92147454 R/L 92144788		118.77 233.07 233.07 240.39 6.93
7 Retainer, Headrest Pad, Center			
8 Upper	92147440		455.58
9 Lower	92147441		396.16
10 Frame, Seat Cushion	92146843	#.5	163.92
11 Pad, Seat Cushion	R/L 92144770	#.5	157.00
12 Cover, Seat Cushion Anthracite Blue Purple Red	R/L 92146220 R/L 92146844 R/L 92146858 R/L 92146849		598.02 385.87 385.87 399.49
#w/Seat Cushion Removed, R&R Complete			
13 Latch, Rear Seat	R/L 92141050		27.72

SEAT BELTS

Use Procedure Explanation 30 with the following text.

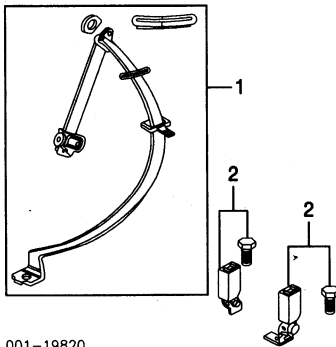
FRONT



001-19819

1 Belt, Seat Retractor	R/L 88987836-5	#4	212.90
<i>#w/Rear Seat Cushion & Lower Quarter Trim Panel Removed</i>			
Guide, Belt	R/L 90379462		19.00
<i>Order by Application</i>			
2 Buckle, Seat Belt	R 89027297	#2	166.00
	L 89027296	#2	212.90
<i>#w/Front Seat Assy Removed</i>			
3 Adjuster Assy, Belt	R 92117986	#1	50.28
	L 92116956	#1	99.83
<i>Order by Application</i>			
4 Bolt, Adjuster (a) (2/Side)	R/L 90340970		9.64
<i>(a) Included w/Belt Adjuster Assy</i>			

REAR



001-19820

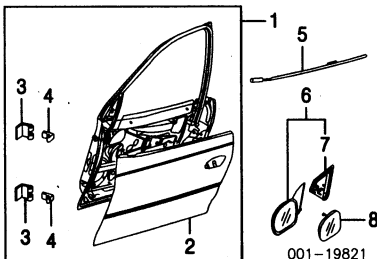
1 Belt, Rear Seat Retractor	R/L 88987870	#2	162.30
<i>#w/Rear Seat Assy & Quarter Trim Removed</i>			
2 Buckle, Rear Seat Belt	R/L 88987875-4	#1	91.00
<i>#w/Rear Seat Cushion Removed</i>			

FRONT DOOR

Use Procedure Explanations 16 and 28 with the following text.

SHEET METAL/EXTERIOR TRIM

Refinish Door Outside.....	R/L	2.0
Add for Jamb's & Interior.....	R/L	1.0
Add for Jamb's.....	R/L	.5
Refinish Body Side Hinge.....	R/L	.5
Refinish Door Side Hinge.....	R/L	.5
Refinish Outside Mirror.....	R/L	.7
R&I Door Assy.....	R/L	.5
R&I Outer Belt Moulding.....	R/L	.2
R&I Outside Mirror Assy.....	R/L	.2



001-19821

1 Door Assy, Front	R/L 92122615-6	#4.0	677.52
--------------------	----------------	------	--------

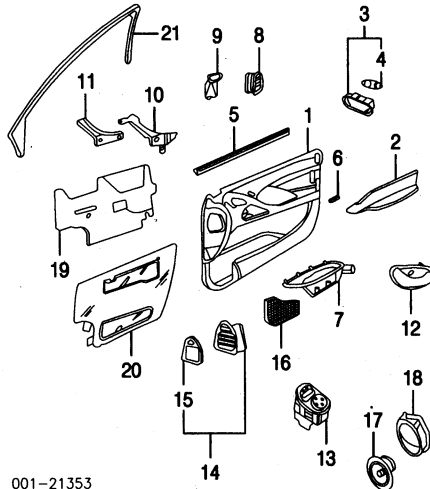
#Includes R&R Mirror Assy, Does Not Include Replace Body

2 Panel, Outer Repair	R/L 92163715-6	#6.2	253.19
<i>#Includes R&R Mirror Assy & Door Glass</i>			
3 Hinge, Body Side (2/Side)	R/L 90380856	#1.5	18.51
4 Hinge, Door Side (2/Side)	R/L 92075344	#1.5	12.11
<i>Order by Application</i>			
<i>#w/Door & Fender Removed</i>			
5 Moulding, Outer Belt	R 92093578	.2	69.66
	L 92093580	.2	69.66
6 Mirror Assy, Outside	R 92208487	.2	138.45
	L 92208485	.2	173.00
7 Gasket, Mirror (a)	R 92059694		12.43
	L 92059695		12.54
<i>(a) Included w/Outside Mirror Assy</i>			
8 Glass, Mirror	R 92147343	.3	37.93
	L 92140443	.3	20.90

INTERIOR TRIM

R&I Trim Panel.....R/L .3

NOTE: All Parts in this section are included in R&R Trim Panel unless noted otherwise.



001-21353

1 Panel, Trim	R/L 92147562-3	.5	979.19
Anthracite	R/L 92147566-7	.5	1041.05
Blue	R/L 92147568-9	.5	1041.05
Purple	R/L 92147564-5	.5	1041.05
Red	R/L 92147564-5	.5	1041.05
2 Insert, Armrest	R/L 92119719-20	.4	531.05
Anthracite	R 92157898	.4	441.35
Blue	L N.A.	.4	0.00
Purple	R 92157897	.4	441.35
Red	L 92157926	.4	441.35
3 Lamp Assy, Courtesy	R/L 92119721-2	.4	563.65
4 Bulb, Lamp	R/L 90565913	.1	19.01
	R/L 11015639		2.41
<i>Order by Application</i>			
<i>#w/Trim Panel Removed, Not Included in R&R Trim Panel</i>			
5 Moulding, Inner Belt	R/L 92166905-6	.3	0.00
6 Retainer, Armrest (2/Side)	R/L 90196697		3.88
7 Pocket, Map (a)	R 92101752	.4	32.90
	L 92101755	.4	31.15

(a) Order by Application

8 Outlet, Air	R 92116498	#4	32.70
	L 92116499	#4	34.01
9 Duct, Defroster	R 92111972	#4	26.26
	L 92111973	#4	25.25

#R&R One Side Complete

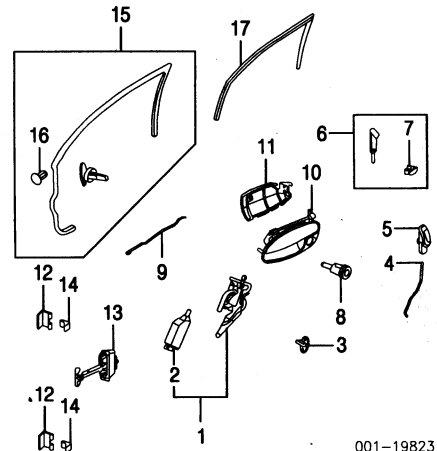
10 Bracket, Pull Handle	R 92140582		20.26
	L 92140583		17.21
11 Handle, Pull	R 92179896		48.11
	L 92179894		48.11
12 Handle, Inside	R 92104418	.1	25.10
	L 92104206	.1	92.23
13 Switch, Mirror	L 92086467	.4	45.00
14 Duct Assy, Air	R 92047908	.4	44.47
	L 92047909	.4	42.76
15 Seal, Duct (b)	R/L 92051378-9		41.48
<i>(b) Included w/Air Duct Assy</i>			
16 Grille, Speaker	R 92094889-90	.4	46.88
17 Speaker, Door	R/L 92095184	#1	66.58
<i>#w/Trim Panel Removed, Not Included in R&R Trim Panel</i>			
18 Housing, Speaker	R/L 92046614-5	#1	23.97
<i>#w/Speaker Removed, Not Included in R&R Trim Panel</i>			
19 Insulator, Door	R/L 92090237-8		21.22
20 Shield, Moisture	R/L 92159756-5	#	3.64
21 Moulding, Garnish (a)	R/L 92104666-7	#2	46.72
<i>(a) Non-Reusable Part</i>			
<i>#w/Trim Panel Removed, Not Included in R&R Trim Panel</i>			
Filler, Door	R/L 92111912-3		25.40
Seal, Door	R/L 92159756-5		3.64

HARDWARE

Refinish Outside Handle.....	R/L	.8
R&I Outside Handle Assy.....	R/L	#5

#Includes R&I Trim Panel

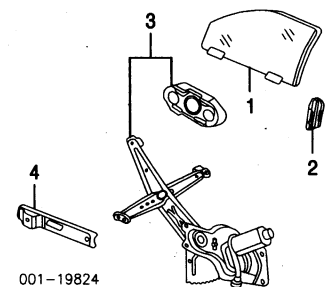
R&I Upper Door Weatherstrip Assy.....R/L .3



001-19823

1 Latch Assy, Door	R 92187611	#3	273.04
	L 92187610	#3	278.49
<i>Order by Application</i>			
2 Actuator, Door Lock (a)	R/L 92146468	#4	150.97
<i>(a) Included w/Door Latch Assy</i>			
<i>#w/Trim Panel Removed</i>			
3 Striker, Latch	R/L 92178627	.2	16.67
4 Rod, Lock Cylinder	R/L 92092898-7		3.76
5 Bezel, Lock Knob	R/L 92103296		12.90
6 Knob Assy, Lock	R/L 92177527		11.23
7 Retainer, Knob (b)	R/L 92090890		13.24
<i>(b) Included w/Lock Knob Assy</i>			
8 Cylinder, Lock	L 92142175	#3	98.10
<i>#w/Trim Panel Removed, Included in R&R Outside Handle</i>			
9 Rod, Handle	R/L 92092898-7		3.76
10 Handle, Outside	R 92085573	#2	40.50
	L 92085572	#3	40.50
11 Bracket, Handle	R 92056184	#2	14.68
	L 92142161	#3	28.44
<i>#w/Trim Panel Removed, R&R One Side Complete</i>			
12 Hinge, Body Side (2/Side)-See Sheet Metal/Exterior Trim Section			
13 Strap, Door Check	R/L 92103049-50	#2	34.92
<i>#w/Trim Panel Removed</i>			
14 Hinge, Door Side (2/Side)-See Sheet Metal/Exterior Trim Section			
15 Weatherstrip Assy, Upper Door			
On Door	R/L 92161631-0	.3	60.00
16 Retainer, W/Strip (c)	R/L 92138034		12.64
<i>(c) As Required</i>			
<i>(c) Included w/Upper Door Weatherstrip Assy</i>			
17 W/Strip, Door Opening	R/L 92092896-5	.2	33.76
On Door			

GLASS & PARTS



001-19824

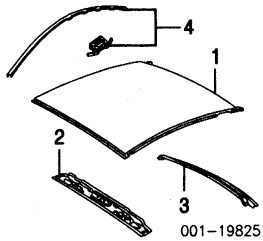
1 Glass, Door			
Pontiac	R 92177509	.8	296.85
	L 92177510	.8	371.10
NAGS	R DD10493GTY	.8	804.35
	L DD10494GTY	.8	804.35
2 Guide, Window	R/L 90224897	#1	3.39
<i>#w/Door Glass Removed</i>			
3 Regulator, Window	R/L 92168702-1	#7	121.84
<i>#w/Door Glass Removed Deduct .3</i>			
4 Channel, Window	R/L 90044742		29.34

ROOF

Use Procedure Explanations 17 and 28 with the following text.

SHEET METAL/EXTERIOR TRIM

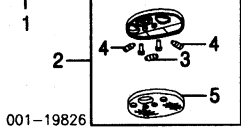
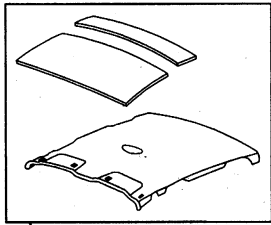
Refinish Roof Outside.....		2.8
R&I Roof Side Moulding.....	R/L	.3



1 Panel, Roof	92087410	#15.5	458.81
<i>#Does Not Include R&R/R Quarter Glass</i>			
2 Panel, Front Header	92119854	1.0	48.01
3 Panel, Rear Header	92087411	1.0	39.80
4 Moulding, Roof Side	R/L 92093576-7	.3	112.60

INTERIOR TRIM

R&I Headliner..... 2.4

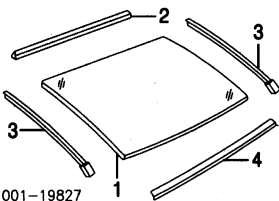


1 Headliner	92169014	2.4	355.84
2 Lamp Assy, Dome/Reading	92119829	.2	41.03
3 Bulb, Dome Lamp	92140559	12.61	
4 Bulb, Reading Lamp (2)	92140560	4.38	
5 Lens, Dome Lamp	92140558	7.65	
<i>#Included w/Dome/Reading Lamp Assy</i>			

BACK WINDOW

Use Procedure Explanation 19 with the following text.

R&I Back Window..... #4.1
#Includes Clean Up Old Adhesive as Necessary



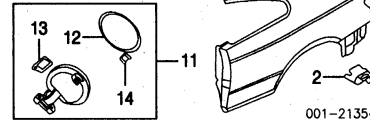
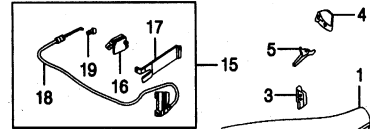
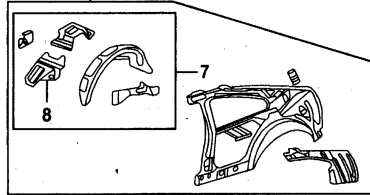
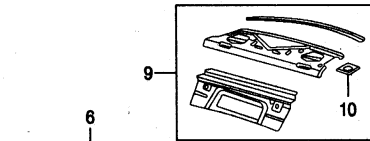
1 Window, Back			
Pontiac	92209197	#3.7	406.80
NAGS	DB10497GTN	#3.7	589.60
<i>#Includes Clean Up Old Adhesive as Necessary</i>			
2 Moulding, Upper Reveal	92092903		29.78
3 Moulding, Side Reveal	R/L 92114027-6		28.40
4 Moulding, Lower Reveal	92092902		37.20

QUARTER PANEL

Use Procedure Explanations 20 and 28 with the following text.

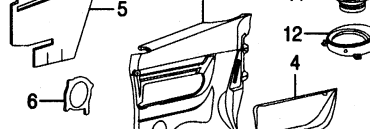
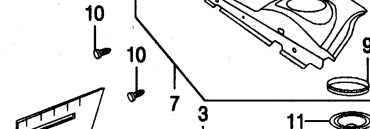
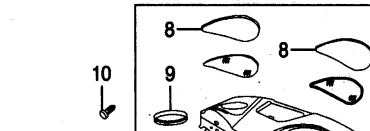
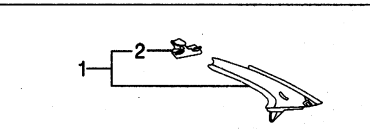
SHEET METAL

Refinish Quarter Panel Outside	R/L	3.0	
Add for Pillar	R/L	.5	
Add to Edge	R/L	.5	
Refinish Outer Panel Extension	R/L	.5	
Refinish Tail Lamp Housing	R/L	.5	
Refinish Fuel Door	R	#5	
<i>#Included in Refinish Right Quarter Panel</i>			
Add for Inside	R	.2	
R&R Both Quarter Panels		22.9	
R&R Roof & Both Quarter Panels		34.6	
R&R Rear Body Panel & Both Quarter Panels		25.0	
R&R Roof, Both Quarters & Rear Body Panel		36.7	
Add to R&R Quarter Panel			
To R&I Back Glass		.4	
To R&I Quarter Glass	R/L	.2	



1 Panel, Outer Qtr	R 92119836	#14.5	693.54
	L 92122909	#14.0	693.54
<i>#w/Roof Removed Deduct 3.8</i>			
2 Housing, Fuel Filler	R 92119843	#2	36.17
<i>#w/Fuel Tank or Quarter Panel Removed</i>			
3 Extension, Outer Panel	R 92122897	1.0	36.17
	L 92122911	1.0	36.17
4 Housing, Tail Lamp	R/L 92167932-3	#2.0	54.61
<i>#w/Quarter Panel Removed Deduct .5, w/Rear Body Panel Removed Deduct .5</i>			
5 Panel, Inner Upper	R/L 92087416-7	.5	37.02
6 Panel Assy, Inner Quarter	R 92119837	s 6.5	678.13
	L 92167928	s 6.5	678.13
7 Panel Assy, Wheelhouse (a)	R 92157544	s 3.5	277.55
	L 92167929	s 3.5	277.55
8 Extension, Panel (a) (b)	R/L 92087430-1	.5	57.84
<i>(a) Included w/Inner Quarter Panel Assy</i>			
<i>(b) Included w/Wheelhouse Panel Assy</i>			
9 Panel Assy, Rear Shelf	92163415	3.5	173.27
<i>#Order by Application</i>			
10 Plate, Belt Anchor (c)	R/L 92122881	.8	13.31
<i>(c) Included w/Rear Shelf Panel Assy</i>			
11 Door Assy, Fuel Filler	R 92119899	.2	39.19
12 Moulding, Fuel Door Finish (Adhesive) (d)		.2	8.89
	R 92119900		12.01
	R 92119901		8.01
<i>(d) Included w/Fuel Filler Door Assy</i>			
15 Actuator Assy, Fuel Door	R 92141951	#3	59.25
<i>#w/Lower Quarter Trim & Luggage Compartment Trim Removed</i>			
16 Actuator, Fuel Door (e)	R 92156601		53.13
17 Bracket, Actuator (e)	R 92142010		3.84
18 Cable, Actuator (e)	R 92117843		26.75
19 Retainer, Cable (e)	R 92141950		9.97
<i>(e) Included w/Fuel Door Actuator Assy</i>			

INTERIOR TRIM

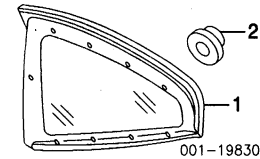


001-21355

1 Moulding Assy, Rear Quarter	R/L 92119435-4	#2	442.89
<i>#w/Lower Quarter Trim Panel Removed</i>			
2 Clip, Moulding (6/Side)	R/L 15549438		.72
<i>#Included w/Rear Quarter Moulding Assy</i>			
3 Panel, Quarter Trim			
Anthracite	R/L 92119460-1	#3	474.71
Blue	R 92157931	#3	949.12
	L 92157933	#3	491.72
Purple	R N.A.	#3	0.00
	L 92157932	#3	491.72
Red	R/L 92119462-3	#3	491.72
<i>#w/Rear Seat Assy Removed</i>			
4 Insert, Trim Panel			
Anthracite	R 92119729		566.63
	L 92119730		531.05
Blue	R 92162346		909.22
	L 92162344		909.22
Purple	R 92162345		909.22
	L N.A.		0.00
Red	R/L 92119731-2		576.20
5 Insulator, Trim Panel	R/L 92091106-7		192.38
6 Grille, Speaker	R 92105299		22.36
	L 92105303		22.36
7 Tray Assy, Package	92118619	#5	509.71
8 Grille, Speaker (a)	R/L 92118620	#6	42.93
<i>#w/Rear Seat Assy Removed</i>			
9 Seal, Speaker Hole (a)	R/L 92144948		13.41
<i>(a) Included w/Package Tray Assy</i>			
10 Retainer, Tray (b)	92094202		12.56
<i>(b) As Required</i>			
11 Speaker	R/L 92095171	#1	82.26
<i>#w/Package Tray Removed</i>			
12 Bracket, Speaker	R/L 92095172		23.45

QUARTER GLASS

R&I Quarter Glass..... R/L #1.7
#Includes Clean Up Old Adhesive as Necessary

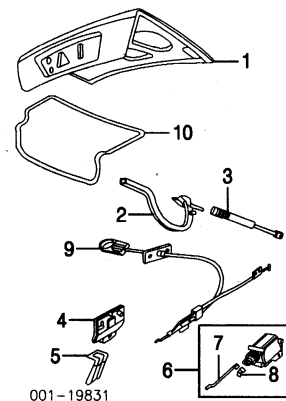


1 Glass, Quarter			
Pontiac	R/L 92209200-1	#1.5	743.81
NAGS	R DQ10495GT	#1.5	1054.35
	L DQ10496GT	#1.5	1054.35
<i>#Includes Clean Up Old Adhesive as Necessary</i>			
2 Nut, Glass (9/Side)	R/L 11084773		4.25
<i>#Non-Reusable Part</i>			

LUGGAGE LID

Use Procedure Explanations 24 and 28 with the following text.

Refinish Luggage Lid Outside		2.2
Add for Underside		1.1
Refinish Luggage Lid Hinge	R/L	.5
Refinish Luggage Lid Spoiler		1.0
Refinish Lid Applique		1.2
R&I Luggage Lid		.7
R&I Luggage Lid Spoiler		#6
R&I Lid Applique		#4
<i>#Includes R&I/R Trim Panel</i>		
R&I Trim Panel		.2

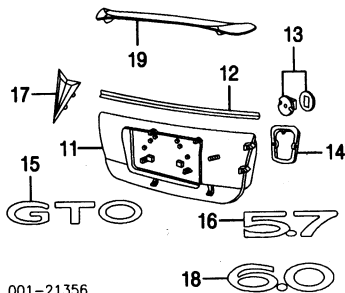


001-19831

1 Lid, Luggage	92164465	1.9	421.19
Lamp, Courtesy-See Rear Body Section			
Bulb, Lamp-See Rear Body Section			
Switch, Lamp	92082615	.1	7.67
2 Hinge, Luggage Lid	R/L 92170422-1	#3	42.86
<i>#w/Luggage Lid & Package Tray Assy Removed</i>			
3 Support, Luggage Lid	R/L 92161990	.2	59.45
4 Latch, Luggage Lid	90276394	#3	66.01
<i>#w/Trim Panel Removed</i>			
5 Striker, Latch	90275077	#2	11.68

LUGGAGE LID Cont'd

#w/Rear Sill Trim Panel Removed			
6 Actuator Assy, Latch	92047959	#2	120.09
<i>(Order by Application)</i>			
#w/Trim Panel Removed			
7 Rod, Actuator (a)	92140510		5.50
8 Retainer, Rod (a)	92140508		3.88
<i>(a) Included w/Latch Actuator Assy</i>			
9 Cable, Release	92158701		54.08
10 W/Strip, Lid On Body	92102356	#2	62.30
#w/Rear Sill Trim Panel Removed			
Panel, Lid Trim	92169877	.3	100.00



001-21356

11 Applique, Lid	92143297	#3	132.54
#w/Trim Panel Removed			
12 Seal, Upper	92143281		24.33
13 Retainer, Applique (b)	92055994		12.43
<i>(Order by Application)</i>			
<i>(b) As Required</i>			
14 Gasket, Applique Nameplate (Adhesive)	R/L 92140400		13.32
15 "GTO"	92155842	.2	45.10
16 ".57"	92119040	.2	42.70
17 ".60"	92162158	.2	20.10
18 Emblem, Luggage Lid (Adhesive)	92155839	.2	56.42
19 Spoiler, Luggage Lid (P)	94860069	#7	330.89
<i>Factory Installed</i>			
<i>(P) Paint to Match</i>			
Spoiler Kit			
<i>Dealer Installed</i>			
Black	12499669	#7	550.00
Red	12499667	#7	550.00
Silver	12499668	#7	550.00
Paint to Match	12499666	#7	431.43
#Includes R&I Trim Panel			
Lamp, Stop-See Rear Lamps Section			

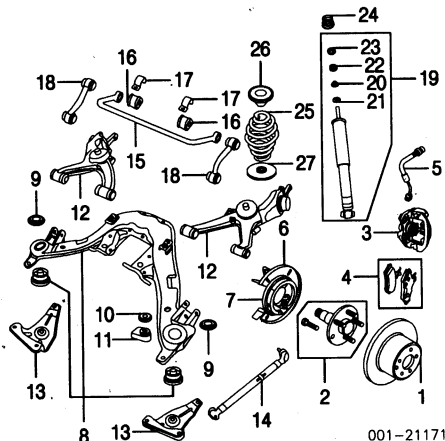
REAR SUSPENSION

Use Procedure Explanation 23 with the following text.

R&I Suspension/Support Assy	m	3.0
O/H Suspension		
One Side	R/Lm	4.4
Both Sides		8.2
Adjust Four Wheel Alignment	m	2.4
Adjust Rear Wheel Alignment	m	1.7
Bleed Brake System	m	.6

NOTE 1: R&I/R&R or O/H Does Not include alignment or bleed brake system.

NOTE 2: All Parts in this section are included in overhaul unless noted otherwise.



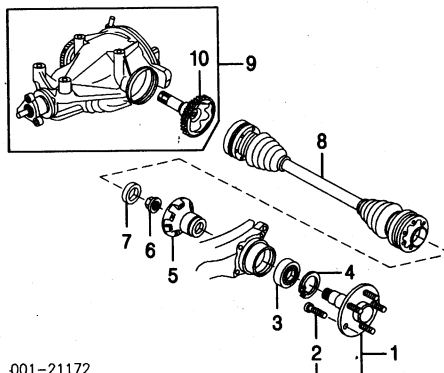
001-21171

1 Rotor, Brake	04 R/L 92156689	m	#.6	156.34
	05-06 R/L 92168567	m	#.6	220.00
#R&R Both 1.0				
2 Hub Assy-See Rear Drive Axle Section				

3 Caliper, Brake	04 R/L 92147151-2	m	#.5	152.62
	05-06 R 92168573	m	#.5	415.49
	L 92168569	m	#.5	415.49
#R&R Both Sides .8, w/Rotor Removed Deduct .3				
4 Pad Set, Brake	04 92210619	m	#1.0	108.87
	05-06 92175205	m	#1.0	140.81
#Deduct .5 for Each Caliper Removed				
5 Hose, Brake	R/L 92056482	m	#.3	72.27
#w/Caliper Removed Deduct .2				
6 Shield, Brake	R/L 92147896-5	m		69.61
7 Shoe, Park Brake	R/L 92147897	m		58.72
8 Support, Rear	92149091	m	#5.0	752.46
#Includes R&R Support Brackets, Exhaust Pipe, Stabilizer Bar, Not Included in O/H				
9 Spacer, Insulator	R/L 90447991	m		9.79
10 Dampener, Vibration	R/L 92001572	m		20.38
11 Bushing, Trailing Arm	R/L 92115982	m		41.18
12 Arm, Control	R/L 92095194-5	m	#3.8	529.24
#Includes R&R Rotor & Hub, R&R Both Sides 7.0				
13 Bracket, Support	R/L 92048768-9	m	#	46.71
#Not Included in O/H				
14 Rod, Link	R/L 92119830	m	#.6	340.78
#R&R Both 1.0				
15 Bar, Stabilizer	92048231	m	#2.4	89.15
#Includes R&R Stabilizer Links, Brackets & Bushings, Not Included in O/H				
16 Bushing, Bar	R/L 92038560	m	#1.8	5.12
17 Bracket, Bushing	R/L 90304339	m	#1.8	8.20
#R&R Complete, Not Included in O/H				
18 Link, Stabilizer Bar	R/L 92055984	m	#.5	32.49
#R&R Both .6, Not Included in O/H				
19 Absorber Assy, Shock	R/L 92157266	m	#.7	77.25
#R&R Both Sides 1.2, w/Control Arm Removed Deduct .4				
20 Insulator, Lower	R/L 92040066	m		3.88
21 Retainer, Lower Insulator	R/L 92021502	m		19.41
22 Insulator, Upper	R/L 92042513	m		4.57
23 Plate, Upper Insulator	R/L 92001572	m		20.38
#Included w/Shock Absorber Assy				
24 Cover, Upper	R/L 90278429	m		4.07
25 Spring, Rear	R/L 92100087	m	#.6	116.01
26 Insulator, Upper Spring	R/L 90250800	m	#.6	31.54
27 Insulator, Lower Spring	R/L 92058192	m	#.6	11.73
#R&R One Side Complete, R&R Both Sides 1.0, Included in R&R Lower Control Arm				

REAR DRIVE AXLE

R&I Rear Axle Assy	R/Lm	.6
--------------------	------	----



001-21172

1 Hub Assy	R/L 92156680	m	#3.8	280.71
2 Stud, Wheel (5/Side)	R/L 92158945	m		13.93
#Included w/Hub Assy				
3 Bearing, Wheel	R/L 92077119	m	#3.8	79.97
4 Retainer, Bearing	R/L 90425660	m	#3.8	10.17
5 Flange, Axle Shaft	R/L 90497686	m	#3.8	378.53
6 Nut, Spindle	R/L 90075162	m	#3.8	8.94
7 Retainer, Nut	R/L 90075161	m	#3.8	4.30
#R&R One Side Complete, R&R Both Sides 7.0, Included in R&R Lower Control Arm				
8 Shaft, Rear Axle	04 R/L 92067184	m	.8	562.02
	05-06 R/L 92162976	m	.8	836.08
9 Differential Assy	04 92174633	m	#3.3	2850.88
	05-06 92162975	m	#3.3	2850.89
#Includes R&I Axle Shaft Assemblies				
10 Shaft, Stub Axle (a)	R 92140332	m		367.44
	L 92140331	m		374.80
(a) Included w/Differential Assy				

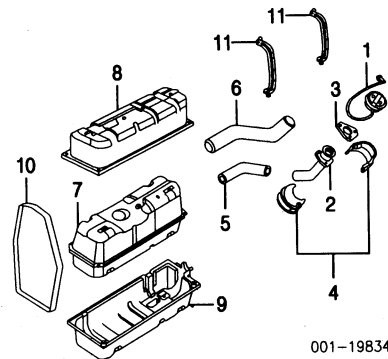
FUEL TANK

R&I Fuel Tank		1.4
---------------	--	-----

NOTE: R&R Does Not include drain and refill.

Illustration Located in Next Column

1 Cap, Fuel Tank	10372866			18.98
2 Pipe, Filler	92160831			159.96
3 Gasket, Filler Pipe	92120583			13.33
4 Seal, Filler Pipe	92119897			20.43



001-19834

5 Hose, Filler	N.A.			0.00
6 Sleeve, Fuel Filler	92120584			39.04
7 Tank, Fuel	92157560	m	1.6	761.50
8 Shield, Upper Tank	92120569			116.51
9 Shield, Lower Tank	92120571			116.51
10 Retainer, Shield	N.A.			0.00
11 Strap, Fuel Tank	R/L 92119863			21.65
Module Assy, Fuel Pump	92120576	m	#.4	550.00
#w/Fuel Tank Removed				
Sensor, Fuel Level	92147006	m		172.00
#Included w/Fuel Pump Module Assy				
Dampener, Fuel Pulse	04 12555909	m		64.12

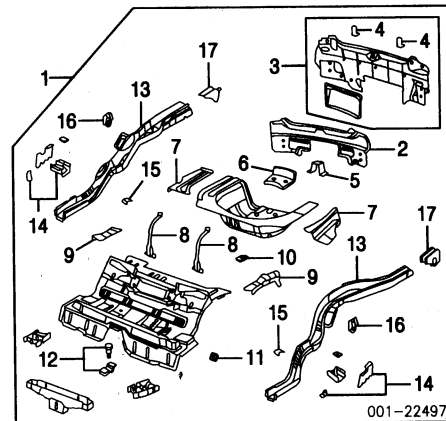
REAR BODY

Use Procedure Explanations 26 and 28 with the following text.

SHEET METAL

Refinish Rear Floor Panel	2.5
Refinish Rear Floor Section	1.5
Refinish Rear Body Panel	1.6
Refinish Panel Reinf.	.8
Section Rear Floor	#18.5

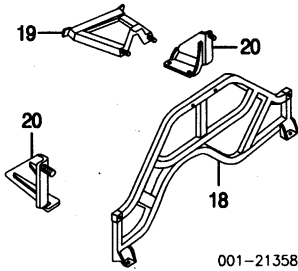
#Includes Replacing Rear Body Panel & Rear Body Reinforcement as an Assembly, See Manufacturer's Body Repair Manual for Sectioning Procedures



001-22497

1 Floor Assy, Rear	92169274	#22.9	1700.00
#w/Necessary Parts and Assemblies Removed, Deduct 2.0 w/Each Quarter Panel Removed, Deduct 2.5 for Each Wheelhouse Panel Assy Removed			
2 Panel, Rear Body	92166588	#6.1	163.99
#Deduct 2.0 w/Each Quarter Panel Removed			
3 Reinforcement Assy, Rear Body	92166589	#3.0	155.65
#w/Rear Body Panel Removed			
4 Bracket, Rear Bumper (a)	04 R/L 92122873	.5	3.39
	05-06 R/L 92161481-2	.5	2.69
(a) Included w/Rear Body Reinforcement Assy			
5 Plate, Spare Tire Anchor	92092847	.6	56.50
6 Reinf, Fuel Tank	92054379	.8	d33.32
7 Ext, Floor Panel Reinf	R 92163416	1.5	39.59
	L 92122879	1.5	121.36
8 Bracket, Fuel Tank Strap	R/L 92119858-7		27.57
9 Reinf, Floor	R 92122874		6.84
	L 92122875		12.61
10 Reinf, Rear Seat	R/L 92122884		24.09
11 Plate, Seat Belt (b)	R/L 92122881		13.31
(b) Order by Application			
12 Bracket, Shield	92050478		3.51
13 Rail, Side-Serviced w/Rear Floor Assy			
14 Extension, Rear Floor (c)	R/L 92166674-5		39.18
15 Bracket, Rear Hose (c)	R/L 92040796		3.91
16 Tie-Down, Hook (c)	R/L 92165667-8		16.93
17 Brace, Impact Bar (c)	R 92122837	#1.0	39.80
	L 92122855	#1.0	34.36
#Included w/Rear Floor Assy			
(c) Included w/Side Rail Assy			

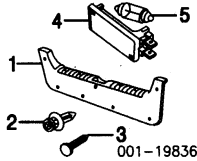
#w/Rear Body Reinforcement Removed



18 Frame, Rear Opening	92163409	282.76
19 Frame, Compartment	92163410	0.00
20 Bracket, Opening Panel	R/L 92163413-4	33.36

INTERIOR TRIM

R&I Rear Sill Trim Panel	R/L	2
--------------------------	-------	-----	---

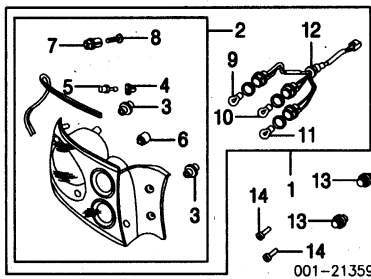


1 Panel, Rear Sill Trim	92162366	2	39.25
2 Retainer, Panel (a)	92138339		3.63
#Order by Application			
(a) As Required			
3 Retainer, Lower Panel (2/Side)	R/L 92094203		12.37
4 Lamp, Courtesy	8972943	.1	14.27
5 Bulb, Lamp	11030669		.65

REAR LAMPS

COMBINATION LAMP

R&I Combination Lamp Assy	R/L	2
---------------------------	-------	-----	---



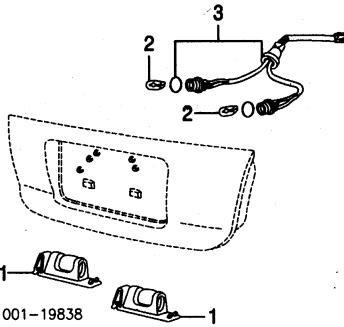
1 Lamp Assy, Combination	R/L N.A.	2	0.00
2 Lamp Assy, Rear			
2004	R/L 92146793-4	3	188.67
2005			
1st Design	R/L 92146793-4	3	188.67
2nd Design	R/L 92149073-4	3	150.94
2006	R/L 92149073-4	3	150.94
3 Vent, Lamp (a) (2/Side)	R/L 92144001		11.71
4 Clip, Retainer (a)	R/L 92144002		11.71
5 Bolt, Clip (a)	R/L 92146800		.61
6 Cap, Vent (a)	R/L 92146790		3.48
7 Clip (a)	R/L 92146802		3.48
8 Bolt, Housing (a)	R/L 92146803		3.48
(a) Included w/Rear Lamp Assy			
9 Bulb, Tail/Stop	R/L 90002521	#2	3.69
10 Bulb, Back-Up	R/L 9417866	#2	1.06
11 Bulb, Signal	R/L 9427736	#2	7.96
#R&R One Side Complete, Included in R&I Combination Lamp Assy			
12 Harness, Lamp	R/L 92146799		71.64
#Included w/Combination Lamp Assy			
13 Nut, Lamp (b) (2/Side)	R/L 92057261		3.64
(b) Order by Application			
14 Screw, Mounting (2/Side)	R/L 92138779		2.58

LICENSE LAMP

R&I License Lamp	R/L	#1
#Included in R&R Lid Applique			

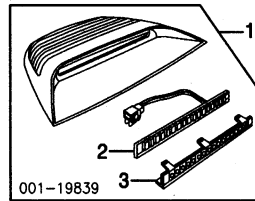
Illustration Located in Next Column

1 Lamp, License	R/L 92143292	#1	22.39
#Included in R&R Lid Applique			



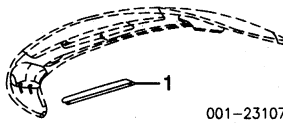
2 Bulb, Lamp	R/L 11079451	2.60
3 Harness, Lamp	92143291	50.54

HIGH MOUNT STOP LAMP PACKAGE TRAY MOUNTED



1 Lamp Assy, Stop	92208924	3	71.67
2 Bulb, Lamp	92144531		58.47
3 Lens, Lamp	92144530		15.24
#Included w/Stop Lamp Assy			

HIGH MOUNT STOP LAMP SPOILER MOUNTED



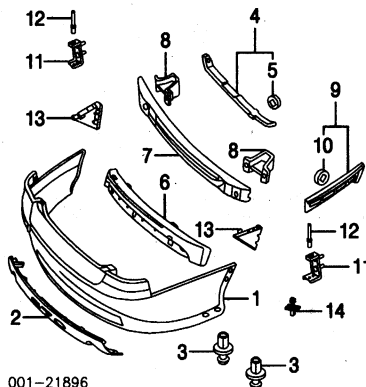
1 Lamp, Stop	94860070	#1	57.06
#Included in R&R Spoiler			

REAR BUMPER

Use Procedure Explanations 27 and 28 with the following text.

Refinish Rear Cover	2.8
Refinish Finish Panel8
Refinish Impact Bar5
R&I Cover Assy	1.2
O/H Bumper Assy (Includes R&I)	1.7
Add to R&R Rear Cover or O/H Bumper Assy		
w/Finish Panel2
w/Rear Cover Extension5

NOTE: All Parts in this section are included in overhaul unless noted otherwise.



1 Cover, Rear (P)	04 92161480	1.2	494.83
	05-06 92160320	1.2	373.44
(P) Paint to Match			
2 Panel, Finish	05-06 92168891	#2	264.51
#w/Rear Cover Removed			
3 Retainer, Cover	92138218		3.67

#As Required			
4 Support Assy, Cover	92179908	#2	40.34
#w/Cover Assy Removed, Not Included in O/H			
5 Seal, Support (a)	92052398		3.63
(a) As Required			
(a) Included w/Cover Support Assy			
6 Absorber, Impact	04 92119495	#1.2	223.51
	05-06 92164723	#1.2	88.69
#Included in R&R Rear Cover			
7 Bar, Impact	92055228	1.5	172.76
8 Bracket, Bumper	R 92055224	#1	28.06
	L 92055225	#1	29.34
#w/Bumper Assy Removed			
9 Guide Assy, Rear	R 92161493	#1	23.73
	L 92161491	#1	23.73
#w/Cover Assy Removed, Not Included in O/H			
10 Seal, Guide (b)	R/L 92052398		3.63
(b) Included w/Rear Guide Assy			
#As Required			
11 Plate, Anchor	R 92100200		16.55
	L 92114155		8.66
12 Bolt, Plate	R/L 92138058		3.63
13 Bracket, Cover	R/L 92161481-2		2.69
#Order by Application			
14 Retainer, Cover (10)	92138078		11.04
Extension Kit, Rear Cover			
Dealer Installed-See Ground Effects Section			