

Inline Harness Connector End Views

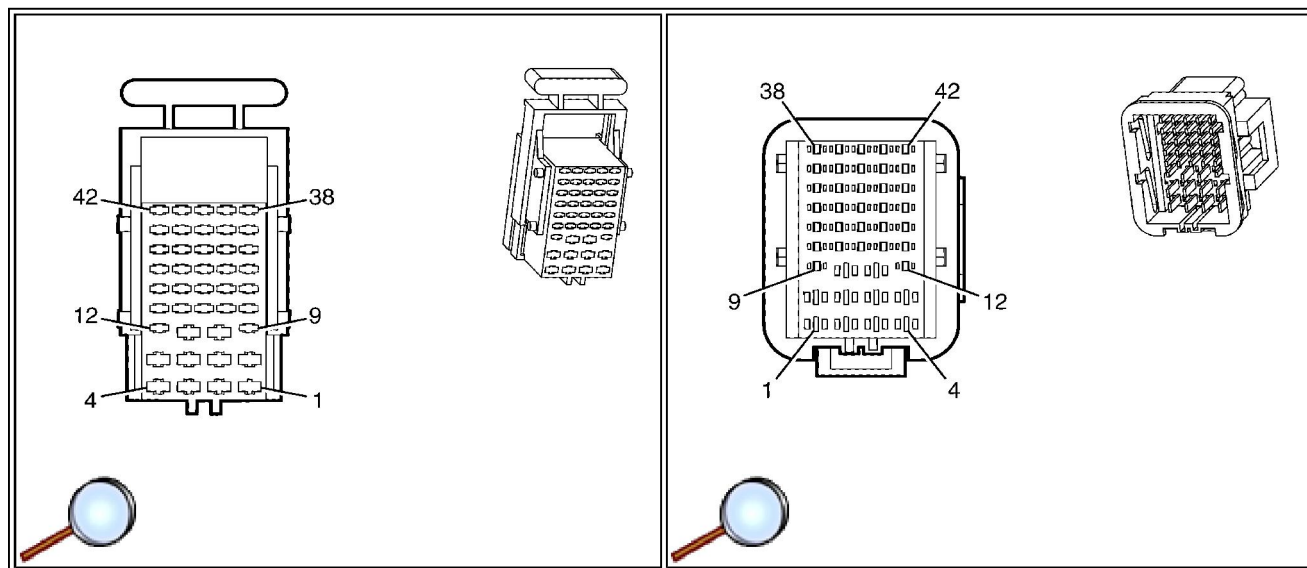
- Connector 1: [X102 Front Body Harness to Engine Harness](#)
- Connector 2: [X103 Forward Lamp Harness to the Engine Harness](#)
- Connector 3: [X104 Front Body Harness to I/P Harness](#)
- Connector 4: [X106 Forward Lamp Harness to the Front Body Harness](#)
- Connector 5: [X107 Forward Lamp Harness to the Front Compartment Harness](#)
- Connector 6: [X108 Fog Lamp Harness to the Front Body Harness](#)
- Connector 7: [X110 Engine Harness to the Front Body Harness](#)
- Connector 8: [X112 Engine Harness to the Ignition Coil Harness \(L98\)](#)
- Connector 9: [X113 Engine Harness to the Ignition Coil Harness \(L98\)](#)
- Connector 10: [X114 Engine Harness to the Fuel Injector Harness \(LY7\)](#)
- Connector 11: [X115 Forward Lamp Harness to the Left Headlamp](#)
- Connector 12: [X116 Forward Lamp Harness to the Right Headlamp](#)
- Connector 13: [X160 Left Front Wheel Speed Sensor Harness to the Front Body Harness](#)
- Connector 14: [X161 Right Front Wheel Speed Sensor Harness to the Front Body Harness](#)
- Connector 15: [X162 Forward Lamp Harness to the Cooling Fan Assembly](#)
- Connector 16: [X165 Front Body Harness to the I/P Harness](#)
- Connector 17: [X175 Engine Harness to the Automatic Transmission \(M82\)](#)
- Connector 18: [X200 I/P Harness to the Front Body Harness](#)
- Connector 19: [X201 I/P Harness to the Front Body Harness](#)
- Connector 20: [X202 I/P Harness to the Body Harness](#)
- Connector 21: [X204 I/P Harness to the Front Body Harness](#)
- Connector 22: [X205 Glove Box Assembly to the I/P Harness](#)
- Connector 23: [X206 Front Body Harness to the Body Harness](#)
- Connector 24: [X207 I/P Harness to the Body Harness](#)
- Connector 25: [X208](#)
- Connector 26: [X210 Rear Body Harness to the Rear Latch Assembly Harness](#)
- Connector 27: [X212 Headliner Harness to the I/P Harness](#)
- Connector 28: [X213 Headliner Harness to the Instrument Panel Harness](#)
- Connector 29: [X218 Body Harness to the Body Harness](#)
- Connector 30: [X220 I/P Harness to the Body Harness \(LHD\)](#)
- Connector 31: [X223 I/P Harness to the Console Ground](#)
- Connector 32: [X225](#)
- Connector 33: [X226 Gauge Assembly to the I/P Harness \(HSV\)](#)
- Connector 34: [X227 Steering Angle Sensor Assembly to the I/P Harness](#)
- Connector 35: [X228 I/P Harness to the I/P Harness](#)
- Connector 36: [X229 I/P Harness to the I/P Harness](#)
- Connector 37: [X236 Electronic Suspension Assembly to the Body Harness \(HSV\)](#)
- Connector 38: [X237 Electronic Suspension Assembly to the I/P Harness \(HSV\)](#)
- Connector 39: [X238 Indicator Assembly to the I/P Harness \(HSV\)](#)
- Connector 40: [X241 I/P Harness to the Driver Information Center Harness](#)

- Connector 41: [X253 I/P Harness to the Body Harness](#)
- Connector 42: [X254 I/P Harness to the Body Harness](#)
- Connector 43: [X255 Digital Video Disc \(DVD\) Control Module to the Video Display](#)
- Connector 44: [X305 Body Harness to the Fuel Tank Harness](#)
- Connector 45: [X306 Driver Seat Harness to the Body Harness \(A45\)](#)
- Connector 46: [X307 Body Harness to the Left Front Door Harness](#)
- Connector 47: [X308 Body Harness to the Right Front Door Harness](#)
- Connector 48: [X309 Body Harness to the I/P Harness](#)
- Connector 49: [X310 Passenger Seat Harness to the Body Harness](#)
- Connector 50: [X311 Driver Seat Harness to the Body Harness](#)
- Connector 51: [X312 Body Harness to the Passenger Seat Harness](#)
- Connector 52: [X313 Body Harness to the Passenger Seat Harness](#)
- Connector 53: [X314 Body Harness to the Driver Seat Harness](#)
- Connector 54: [X315 Body Harness to the Driver Seat Harness](#)
- Connector 55: [X316 Body Harness to the Digital Video Disc \(DVD\) Control Module](#)
- Connector 56: [X317 Body Harness to the Body Harness](#)
- Connector 57: [X319 Headliner Harness to the Digital Video Disc \(DVD\) Control Module](#)
- Connector 58: [X322 Passenger Seat Harness to the Body Harness](#)
- Connector 59: [X324 Driver Seat Back to the Driver Seat Harness \(AH5\)](#)
- Connector 60: [X324 Driver Seat Back to the Driver Seat Harness \(AGB\)](#)
- Connector 61: [X330 Left Seat Harness to the Body Harness](#)
- Connector 62: [X331 Right Seat Harness to the Body Harness](#)
- Connector 63: [X332 Video Display to the Right Seat Harness](#)
- Connector 64: [X333 Left Seat Harness to the Body Harness](#)
- Connector 65: [X335 Video Display Assembly to the Body Harness](#)
- Connector 66: [X344 Inside Rearview Mirror Harness to the I/P Harness](#)
- Connector 67: [X355 Body Harness to the Driver Seat Harness](#)
- Connector 68: [X356 Body Harness to the Passenger Seat Harness](#)
- Connector 69: [X360 Body Harness to the Rear Wheel Speed Sensors](#)
- Connector 70: [X361 Rear Axle Harness to the Body Harness](#)
- Connector 71: [X402 Body Harness to the Decklid Harness](#)
- Connector 72: [X403 Rear Body Harness to the Body Harness](#)
- Connector 73: [X404 Body Harness to the Rear Body Harness](#)
- Connector 74: [X405 X405 Body Harness to the Rear Compartment Harness \(F19\)](#)
- Connector 75: [X405 Body Harness to the Rear Compartment Harness \(F69 without T79\)](#)
- Connector 76: [X408 Battery Cable to the Body Harness](#)
- Connector 77: [X412 Rear Body Harness to the Rear Body Harness](#)
- Connector 78: [X413 Electronic Stability Control Harness to the Fuel Tank Harness \(HSV\)](#)
- Connector 79: [X415 \(HSV\) \(Pigtail?\)](#)
- Connector 80: [X416 \(HSV\) \(Pigtail?\)](#)
- Connector 81: [X433 Rear Fascia Harness to the License Lamp Harness \(WM\)](#)
- Connector 82: [X450 Rear Body Harness to the Right Rear Tail Lamp Assembly](#)
- Connector 83: [X451 Rear Body Harness to the Left Rear Tail Lamp Assembly](#)
- Connector 84: [X500 Body Harness to the Left Front Door Harness](#)
- Connector 85: [X600 Body Harness to the Right Front Door Harness](#)

Connector 86: [X700 Body Harness to the Left Rear Door Harness](#)

Connector 87: [X800 Body Harness to the Right Rear Door Harness](#)

X102 Front Body Harness to Engine Harness



Connector Part Information

- | OEM: 7283-9911-30
- | Service: See Catalog
- | Description: 42-Way F (BK)

Connector Part Information

- | OEM: 7282-0680-30
- | Service: See Catalog
- | Description: 42-Way M (BK)

Terminal Part Information

- | Terminal/Tray: See Terminal Repair Kit
- | Core/Insulation Crimp: See Terminal Repair Kit
- | Release Tool/Test Probe: See Terminal Repair Kit

Terminal Part Information

- | Pins: 1-6, 8, 10, 11
- | Terminal/Tray: 1-962915-3/15
- | Core/Insulation Crimp: E/1
- | Release Tool/Test Probe: 12093647/J-35616-5 (PU)
- | Pins: 9, 12-24, 25-28, 31-42
- | Terminal/Tray: See Terminal Repair Kit
- | Core/Insulation Crimp: See Terminal Repair Kit
- | Release Tool/Test Probe: See Terminal Repair Kit

X102 Front Body Harness to Engine Harness

Pin	Wire Color	Circuit No.	Function	Pin	Wire Color	Circuit No.	Function
1	0.5 BK	450	Ground (LY7)	1	0.5 BK	450	Ground (LY7)
	2 BK	450	Ground (without LY7)		2 BK	450	Ground (without LY7)
	0.75 OG/YE	3640	Battery Positive Voltage (M30 or M32)		0.75 OG/YE	3640	Battery Positive Voltage (M30 or M32)

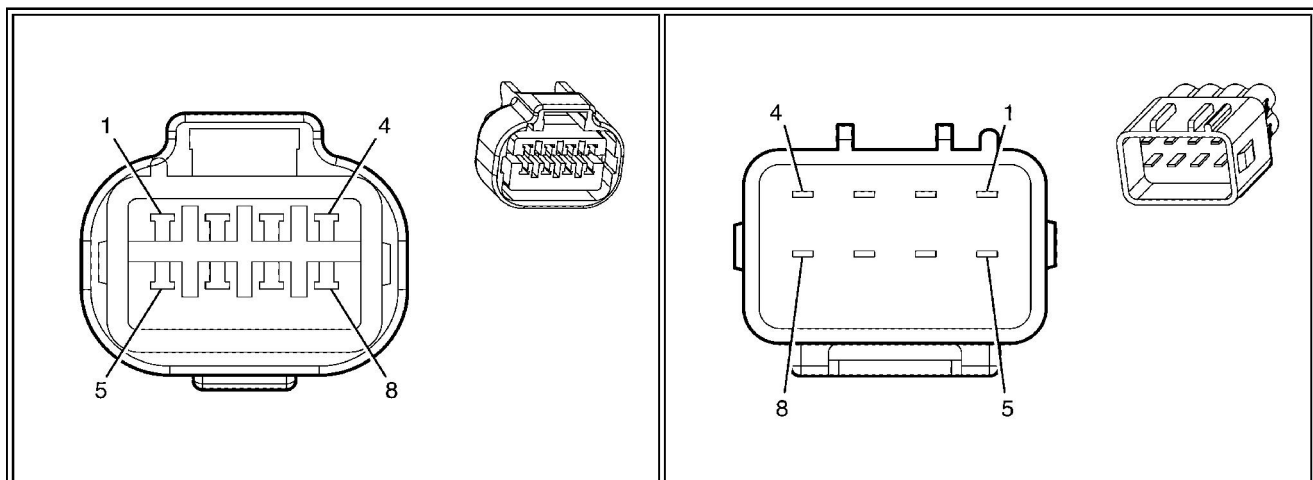
2	0.5 D-GN	335	Low Speed Cooling Fan Relay Control (without LY7)	2	0.5 D-GN	335	Low Speed Cooling Fan Relay Control (without LY7)
3	0.5 D-BU	2709	Transmission Fluid Pressure Switch Signal B (M30)	3	0.5 D-BU	2709	Transmission Fluid Pressure Switch Signal B (M30)
	0.5 BN	5069	Main Relay Control (without LY7)		0.5 BN	5069	Main Relay Control (without LY7)
4	0.75 OG/YE	2709	Battery Positive Voltage (M32)	4	0.75 OG/YE	2709	Battery Positive Voltage (M32)
5	0.5 OG/BK	540	Battery Positive Voltage (LY7)	5	0.5 OG/BK	540	Battery Positive Voltage (LY7)
	0.75 PK/BK	5290	Ignition 1 Voltage (without LY7)		0.75 PK/BK	5290	Ignition 1 Voltage (without LY7)
6	1.25 BK	350	Ground (LY7)	6	1.25 BK	350	Ground (LY7)
7	0.75 OG	1525	Clutch Pressure Control Solenoid Valve 1 High Control (M30 or M32 or M82)	7	0.75 OG	1525	Clutch Pressure Control Solenoid Valve 1 High Control (M30 or M32 or M82)
8	0.5 L-BU/WH	1310	PC Solenoid Valve Low Control (LY7)	8	0.5 L-BU/WH	1310	PC Solenoid Valve Low Control (LY7)
	1.25 BK	350	Ground (without LY7)		1.25 BK	350	Ground (without LY7)
9	0.5 D-BU	7393	A/C Compressor Clutch Low Reference	9	0.5 D-BU	7393	A/C Compressor Clutch Low Reference
10	0.5 PK	439	Ignition 1 Voltage	10	0.5 PK	439	Ignition 1 Voltage
11	0.5 BN/WH	2762	Low Reference (M30)	11	0.5 BN/WH	2762	Low Reference (M30)
	0.5 D-BU	1225	Transmission Fluid Pressure Switch B (M82)		0.5 D-BU	1225	Transmission Fluid Pressure Switch B (M82)
12	0.5 BN	9001	High Speed GMLAN Serial Data Bus - (LY7)	12	0.5 BN	9001	High Speed GMLAN Serial Data Bus - (LY7)
	0.5 L-GN/BK	401	OSS Low Signal (M32)		0.5 L-GN/BK	401	OSS Low Signal (M32)
13	0.5 D-GN	7392	A/C Compressor Clutch Supply Voltage	13	0.5 D-GN	7392	A/C Compressor Clutch Supply Voltage
14	0.5 L-BU	1937	Fuel Level Sensor (LY7)	14	0.5 L-BU	1937	Fuel Level Sensor (LY7)
	0.5 OG/BK	1786	Park/Neutral Signal (without LY7)		0.5 OG/BK	1786	Park/Neutral Signal (without LY7)
15	0.5 D-GN/WH	465	Fuel Pump Relay Control (LY7)	15	0.5 D-GN/WH	465	Fuel Pump Relay Control (LY7)
	0.5 D-BU	5985	TCM Accessory Signal (without LY7)		0.5 D-BU	5985	TCM Accessory Signal (without LY7)
16	0.5 BN/YE	452	Low Reference (LY7)	16	0.5 BN/YE	452	Low Reference (LY7)
	0.5		HO2S Heater Low		0.5		HO2S Heater Low

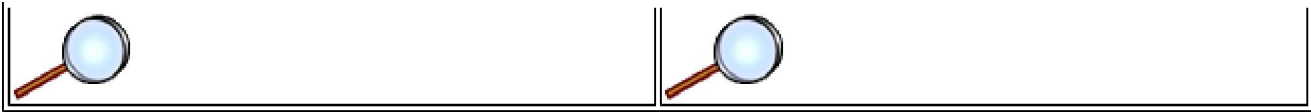
	OG/WH	3223	Control (Bank 2 Sensor 2) (without LY7)		OG/WH	3223	Control (Bank 2 Sensor 2) (without LY7)
17	0.5 BN/BK	9000	High Speed GMLAN Serial Data Bus+ (LY7)	17	0.5 BN/BK	9000	High Speed GMLAN Serial Data Bus+ (LY7)
	0.5 PU/WH	400	OSS High Signal (M32)		0.5 PU/WH	400	OSS High Signal (M32)
18	0.5 PU	1589	Fuel Level Sensor Signal (LY7)	18	0.5 PU	1589	Fuel Level Sensor Signal (LY7)
	0.5 BN	9001	High Speed GMLAN Serial Data Bus- (LY7)		0.5 BN	9001	High Speed GMLAN Serial Data Bus- (LY7)
	0.5 L-BU	1984	Transmission Turbine Speed Switch Low Reference (M32)		0.5 L-BU	1984	Transmission Turbine Speed Switch Low Reference (M32)
19	0.5 BN	1271	Low Reference (LY7)	19	0.5 BN	1271	Low Reference (LY7)
	0.5 WH/BU	20	Stop Lamp Switch Signal (LY7)		0.5 WH/BU	20	Stop Lamp Switch Signal (LY7)
20	0.5 BU/WH	1161	APP Sensor 1 Signal (LY7)	20	0.5 BU/WH	1161	APP Sensor 1 Signal (LY7)
	0.5 BN	2391	HO2S Heater Low Control (Bank 1 Sensor 2) (without LY7)		0.5 BN	2391	HO2S Heater Low Control (Bank 1 Sensor 2) (without LY7)
21	0.5 WH/BK	1164	5-Volt Reference (LY7)	21	0.5 WH/BK	1164	5-Volt Reference (LY7)
	0.5 PU	1670	HO2S High Signal (Bank 2 Sensor 2) (without LY7)		0.5 PU	1670	HO2S High Signal (Bank 2 Sensor 2) (without LY7)
22	0.5 L-BU	1162	APP Sensor 2 Signal (LY7)	22	0.5 L-BU	1162	APP Sensor 2 Signal (LY7)
	0.5 BN/WH	1671	HO2S Low Signal (Bank 2 Sensor 2) (without LY7)		0.5 BN/WH	1671	HO2S Low Signal (Bank 2 Sensor 2) (without LY7)
23	0.5 BN/YE	1274	5-Volt Reference (LY7)	23	0.5 BN/YE	1274	5-Volt Reference (LY7)
	0.5 BN/BK	9000	High Speed GMLAN Serial Data Bus+ (LY7)		0.5 BN/BK	9000	High Speed GMLAN Serial Data Bus+ (LY7)
	0.5 OG	1983	Transmission Turbine Speed Switch Signal (M32)		0.5 OG	1983	Transmission Turbine Speed Switch Signal (M32)
24	0.5 PU	1272	Low Reference (LY7)	24	0.5 PU	1272	Low Reference (LY7)
	0.5 PU/WH	1668	HO2S High Signal (Bank 1 Sensor 2) (without LY7)		0.5 PU/WH	1668	HO2S High Signal (Bank 1 Sensor 2) (without LY7)
25	0.5 BN/WH	419	MIL Control (LY7)	25	0.5 BN/WH	419	MIL Control (LY7)
	0.5 BN/WH	1669	HO2S Low Signal (Bank 1 Sensor 2) (without LY7)		0.5 BN/WH	1669	HO2S Low Signal (Bank 1 Sensor 2) (without LY7)

26	0.5 OG/BK	1228	PC Solenoid Valve High Control (M82)	26	0.5 OG/BK	1228	PC Solenoid Valve High Control (M82)
	0.5 D-GN		Clutch Start/Neutral Start (LY7)		0.5 D-GN		Clutch Start/Neutral Start (LY7)
	0.5 BN/RD	472	IAT Sensor Signal (without LY7)		0.5 BN/RD	472	IAT Sensor Signal (without LY7)
27	0.5 L-BU/WH	1229	PC Solenoid Valve Low Control (M82)	27	0.5 L-BU/WH	1229	PC Solenoid Valve Low Control (M82)
	0.5 BN/WH		Cruise Control Disable Clutch Switch Signal (LY7)		0.5 BN/WH		Cruise Control Disable Clutch Switch Signal (LY7)
	0.5 YE	492	MAF Sensor Signal (without LY7)		0.5 YE	492	MAF Sensor Signal (without LY7)
28	0.5 PU/WH	401	OSS High Signal (M30)	28	0.5 PU/WH	401	OSS High Signal (M30)
	0.5 PU/WH	401	VSS High Signal (M82)		0.5 PU/WH	401	VSS High Signal (M82)
	0.5 OG/BK	380	A/C Refrigerant Pressure Sensor Signal (without LY7)		0.5 OG/BK	380	A/C Refrigerant Pressure Sensor Signal (without LY7)
29	0.5 PK	1224	Transmission Fluid Pressure Switch Signal A (M30)	29	0.5 PK	1224	Transmission Fluid Pressure Switch Signal A (M30)
	0.5 GY	1688	5-Volt Reference (without LY7)		0.5 GY	1688	5-Volt Reference (without LY7)
30	0.5 WH/BU	17	Stop Lamp Supply Voltage (M82)	30	0.5 WH/BU	17	Stop Lamp Supply Voltage (M82)
	0.5 BN/OG	422	TCC Solenoid Valve Control (M30)		0.5 BN/OG	422	TCC Solenoid Valve Control (M30)
	0.5 PK	439	Ignition 1 Voltage (without LY7)		0.5 PK	439	Ignition 1 Voltage (without LY7)
31	0.5 YE/BK	1227	TFT Sensor Signal (M30 or M82)	31	0.5 YE/BK	1227	TFT Sensor Signal (M30 or M82)
	0.5 BN/WH	2760	Low Reference (without LY7)		0.5 BN/WH	2760	Low Reference (without LY7)
32	0.5 L-BU	1984	Transmission Turbine Speed Switch Low Reference (M30 or M82)	32	0.5 L-BU	1984	Transmission Turbine Speed Switch Low Reference (M30 or M82)
	0.5 L-GN	5007	Backup Lamp Switch Signal (without LY7)		0.5 L-GN	5007	Backup Lamp Switch Signal (without LY7)
	0.5 PK	1224	Transmission Fluid Pressure Switch Signal A (M32)		0.5 PK	1224	Transmission Fluid Pressure Switch Signal A (M32)
33	0.5 L-GN/BK	401	OSS Low Signal (M30)	33	0.5 L-GN/BK	401	OSS Low Signal (M30)
	0.5 L-GN/BK	401	VSS Low Signal (M82)		0.5 L-GN/BK	401	VSS Low Signal (M82)

	0.5 BN/GN	2759	Low Reference (without LY7)		0.5 BN/GN	2759	Low Reference (without LY7)
34	0.5 WH	898	Shift Solenoid C Valve Control (M82)	34	0.5 WH	898	Shift Solenoid C Valve Control (M82)
	0.5 WH/GN	687	2-3 Shift Solenoid Valve Control (M30 or M32)		0.5 WH/GN	687	2-3 Shift Solenoid Valve Control (M30 or M32)
35	0.5 YE/BK	1223	Shift Solenoid B Valve Control (M30 or M32 or M82)	35	0.5 YE/BK	1223	Shift Solenoid B Valve Control (M30 or M32 or M82)
36	0.5 L-GN	1222	Shift Solenoid A Valve Control (M30 or M32 or M82)	36	0.5 L-GN	1222	Shift Solenoid A Valve Control (M30 or M32 or M82)
37	0.5 OG	1983	Transmission Turbine Speed Switch Signal (M30 or M82)	37	0.5 OG	1983	Transmission Turbine Speed Switch Signal (M30 or M82)
	0.5 BN/OG	422	TCC Solenoid Valve Control (M32)		0.5 BN/OG	422	TCC Solenoid Valve Control (M32)
38	0.5 WH	776	Transmission Range Switch Signal P (M30 or M32 or M82)	38	0.5 WH	776	Transmission Range Switch Signal P (M30 or M32 or M82)
39	0.5 GY	773	Transmission Range Switch Signal C (M30 or M32 or M82)	39	0.5 GY	773	Transmission Range Switch Signal C (M30 or M32 or M82)
40	0.5 YE	772	Transmission Range Switch Signal B (M30 or M32 or M82)	40	0.5 YE	772	Transmission Range Switch Signal B (M30 or M32 or M82)
41	0.5 BN/YE	771	Transmission Range Switch Signal A (M30 or M32 or M82)	41	0.5 BN/YE	771	Transmission Range Switch Signal A (M30 or M32 or M82)
42	0.5 BN	418	TCC PWM Solenoid Valve Control (M30 or M32 or M82)	42	0.5 BN	418	TCC PWM Solenoid Valve Control (M30 or M32 or M82)

X103 Forward Lamp Harness to the Engine Harness





Connector Part Information

- | OEM: 7283-1081-30
- | Service: See Catalog
- | Description: 8-Way F

Terminal Part Information

- | Terminal/Tray: See Terminal Repair Kit
- | Core/Insulation Crimp: See Terminal Repair Kit
- | Release Tool/Test Probe: See Terminal Repair Kit

Connector Part Information

- | OEM: 7282-1081-30
- | Service: See Catalog
- | Description: 8-Way M

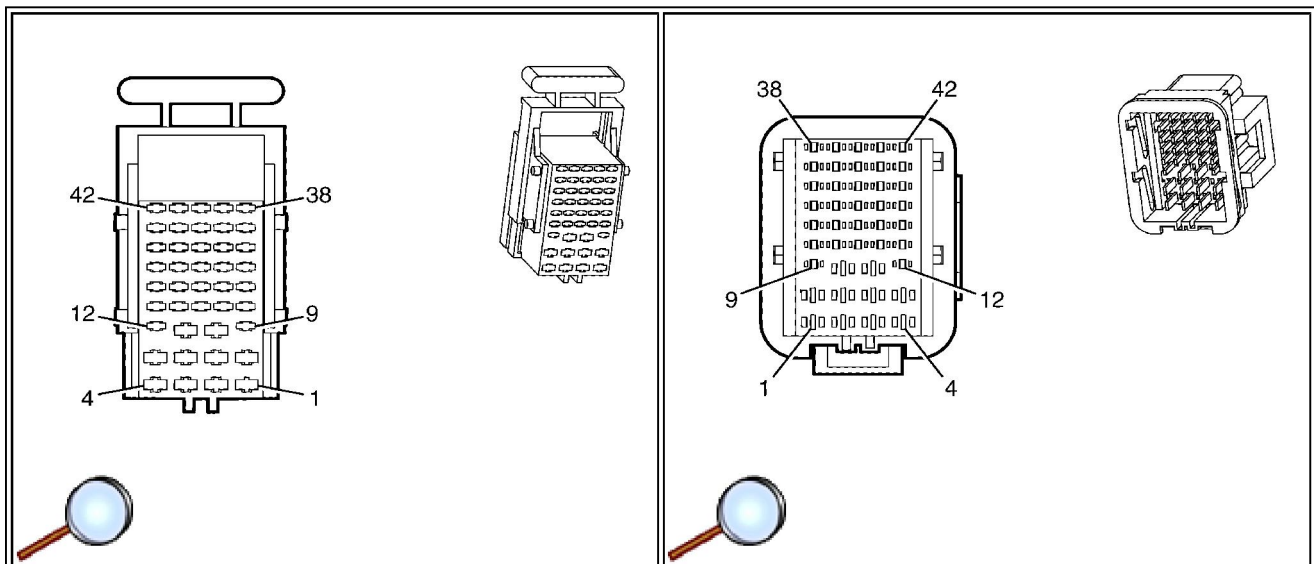
Terminal Part Information

- | Terminal/Tray: See Terminal Repair Kit
- | Core/Insulation Crimp: See Terminal Repair Kit
- | Release Tool/Test Probe: See Terminal Repair Kit

X103 Forward Lamp Harness to the Engine Harness

Pin	Wire Color	Circuit No.	Function	Pin	Wire Color	Circuit No.	Function
1-2	--	--	Not Used	1-2	--	--	Not Used
3	0.5 YE/BK	1227	TFT Sensor Signal	3	0.5 YE/BK	1227	TFT Sensor Signal
4	0.5 OG/BK	1228	PC Solenoid Valve High Control	4	0.5 OG/BK	1228	PC Solenoid Valve High Control
5-6	--	--	Not Used	5-6	--	--	Not Used
7	0.5 BN/WH	2762	Low Reference	7	0.5 BN/WH	2762	Low Reference
8	0.5 L-BU/WH	1229	PC Solenoid Valve Low Control	8	0.5 L-BU/WH	1229	PC Solenoid Valve Low Control

X104 Front Body Harness to I/P Harness



Connector Part Information

- | OEM: 7283-9911-30
- | Service: See Catalog
- | Description: 42-way F (BK)

Connector Part Information

- | OEM: 7282-0680-30
- | Service: See Catalog
- | Description: 42-Way M (BK)

Terminal Part Information

- | Terminal/Tray: See Terminal Repair Kit
- | Core/Insulation Crimp: See Terminal Repair Kit
- | Release Tool/Test Probe: See Terminal Repair Kit

Terminal Part Information

- | Pins: 3-5, 11
- | Terminal/Tray: 1-962915-3/15
- | Core/Insulation Crimp: E/1
- | Release Tool/Test Probe: 12093647/J-35616-5 (PU)
- | Pins: 9-10, 12-30, 32-35, 38-42
- | Terminal/Tray: See Terminal Repair Kit
- | Core/Insulation Crimp: See Terminal Repair Kit
- | Release Tool/Test Probe: See Terminal Repair Kit

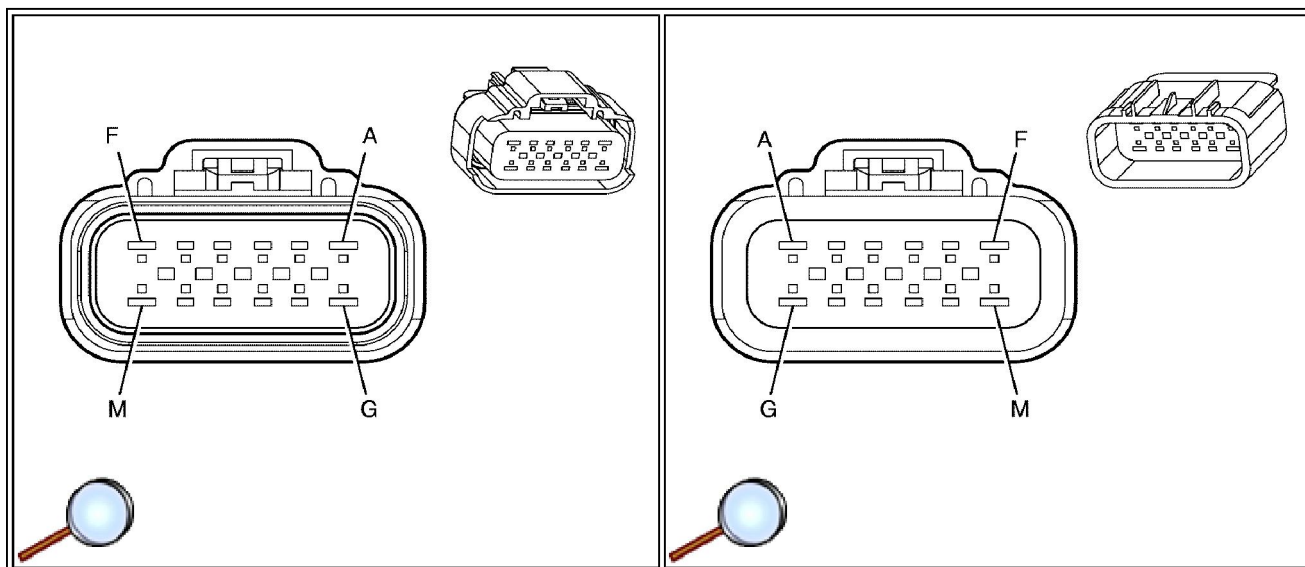
X104 Front Body Harness to I/P Harness

Pin	Wire Color	Circuit No.	Function	Pin	Wire Color	Circuit No.	Function
1-2	--	--	Not Used	1-2	--	--	Not Used
3	0.5 D-BU	7393	A/C Compressor Clutch Low Reference	3	0.5 D-BU	9357	A/C Compressor Clutch Low Reference
4	0.5 D-GN	7392	A/C Compressor Clutch Supply Voltage	4	0.5 D-GN	9358	A/C Compressor Clutch Supply Voltage
5	0.5 PK/BU	1339	Ignition 1 Voltage	5	0.5 PK/BU	1339	Ignition 1 Voltage
6	--	--	Not Used	6	--	--	Not Used
7	0.5 OG/BK		Park/Neutral Signal (without LY7)	7	0.5 OG/BK		Park/Neutral Signal (without LY7)
	0.5 D-GN		Clutch Start/Neutral Start (LY7)		0.5 OG/BK		Clutch Start/Neutral Start (LY7)
8	0.5 BN/WH		Cruise Control Disable Clutch Switch Signal	8	0.5 BN/WH		Cruise Control Disable Clutch Switch Signal
9	0.3 BN/YE	1969	Headlamp High Beam Relay Control	9	0.3 BN/YE	1969	Headlamp High Beam Relay Control
10	0.5 L-BU	1162	APP Sensor 2 Signal	10	0.5 L-BU	1162	APP Sensor 2 Signal
11	0.75 OG/GN	2240	Battery Positive Voltage	11	0.75 OG/GN	9359	Battery Positive Voltage
12	0.3 WH/YE	1080	Park Lamp Relay Control	12	0.3 WH/YE	1080	Park Lamp Relay Control
13	0.3 PK/WH	1970	Headlamp Low Beam Relay Control	13	0.3 PK/WH	1970	Headlamp Low Beam Relay Control
14	0.5 D-GN/WH	465	Fuel Pump Relay Control	14	0.3 D-GN/WH	465	Fuel Pump Relay Control

15	0.3 D-GN	646	Reverse Relay Control	15	0.3 D-GN	646	Reverse Relay Control
16	0.3 PU	5531	Hood Closed Switch Signal	16	0.3 PU	5531	Hood Closed Switch Signal
17	0.3 BN/BK	28	Horn Relay Control	17	0.3 BN/BK	28	Horn Relay Control
18	0.3 PK/BK	109	Hood Ajar Switch Signal	18	0.3 PK/BK	109	Hood Ajar Switch Signal
19	0.3 PU/WH	5727	Communication Enable Relay Control	19	0.3 PU/WH	5727	Communication Enable Relay Control
20	0.3 GY	91	Windshield Wiper Switch Signal 2	20	0.3 GY	91	Windshield Wiper Switch Signal 2
21	0.3 BN/WH	33	Brake Warning Indicator Control	21	0.3 BN/WH	33	Brake Warning Indicator Control
22	0.3 YE	196	Windshield Wiper Motor Park Switch Signal	22	YE	0.3 196	Windshield Wiper Motor Park Switch Signal
23	0.3 BN/RD	860	Front Windshield Wiper Switch High Signal	23	0.3 BN/RD	860	Front Windshield Wiper Switch High Signal
24	0.3 D-BU	5985	Accessory Wakeup Serial Data	24	0.3 D-BU	5985	Accessory Wakeup Serial Data
25	0.3 PK	1439	Ignition 1 Voltage	25	0.3 PK	1439	Ignition 1 Voltage
26	0.3 WH/BU	193	Rear Defog Relay Control	26	0.3 WH/BU	9356	Rear Defog Relay Control
27	0.5 BN	9005	High Speed GMLAN Serial Data Bus-	27	0.5 BN	9005	High Speed GMLAN Serial Data Bus-
28	0.5 BN/WH	419	MIL Control	28	0.3 BN/WH	419	MIL Control
29	0.5 OG	2268	Washer Fluid Pump Relay Control	29	0.5 OG	2268	Washer Fluid Pump Relay Control
30	0.5 L-BU/WH	1314	Left Front Turn Signal Lamp Supply Voltage	30	0.75 L-BU/WH	1314	Left Front Turn Signal Lamp Supply Voltage
31	--	--	Not Used	31	--	--	Not Used
32	0.5 BN/BK	9004	High Speed GMLAN Serial Data Bus+	32	0.5 BN/BK	9004	High Speed GMLAN Serial Data Bus+
33	0.5 D-BU/WH	1315	Right Front Turn Signal Lamp Supply Voltage	33	0.75 D-BU/WH	1315	Right Front Turn Signal Lamp Supply Voltage
34	0.5 WH/BU	17	Stop Lamp Switch Signal	34	0.5 WH/BU	17	Stop Lamp Switch Signal
35	0.5 BN/YE	1274	5-Volt Reference	35	0.5 BN/YE	1274	5-Volt Reference
36-37	--	--	Not Used	36-37	--	--	Not Used
38	0.5 PU	1272	Low Reference	38	0.5 PU	1272	Low Reference
	0.5 D-				0.5 D-		

39	BU/WH	1161	APP Sensor 1 Signal	39	BU/WH	1161	APP Sensor 1 Signal
40	0.5 WH/BK	1164	5-Volt Reference	40	0.5 WH/BK	1164	5-Volt Reference
41	0.5 BN	1271	Low Reference	41	0.5 BN	1271	Low Reference
42	--	--	Not Used	42	--	--	Not Used

X106 Forward Lamp Harness to the Front Body Harness



Connector Part Information

- | OEM: 7283-6865-30
- | Service: See Catalog
- | Description: 12-Way F (BK)

Terminal Part Information

- | Terminal/Tray: 12191819/8
- | Core/Insulation Crimp: E/A
- | Release Tool/Test Probe: 15315247/J-35616-2A (GY)

Connector Part Information

- | OEM: 7282-6865-30
- | Service: See Catalog
- | Description: 12-Way M (BK)

Terminal Part Information

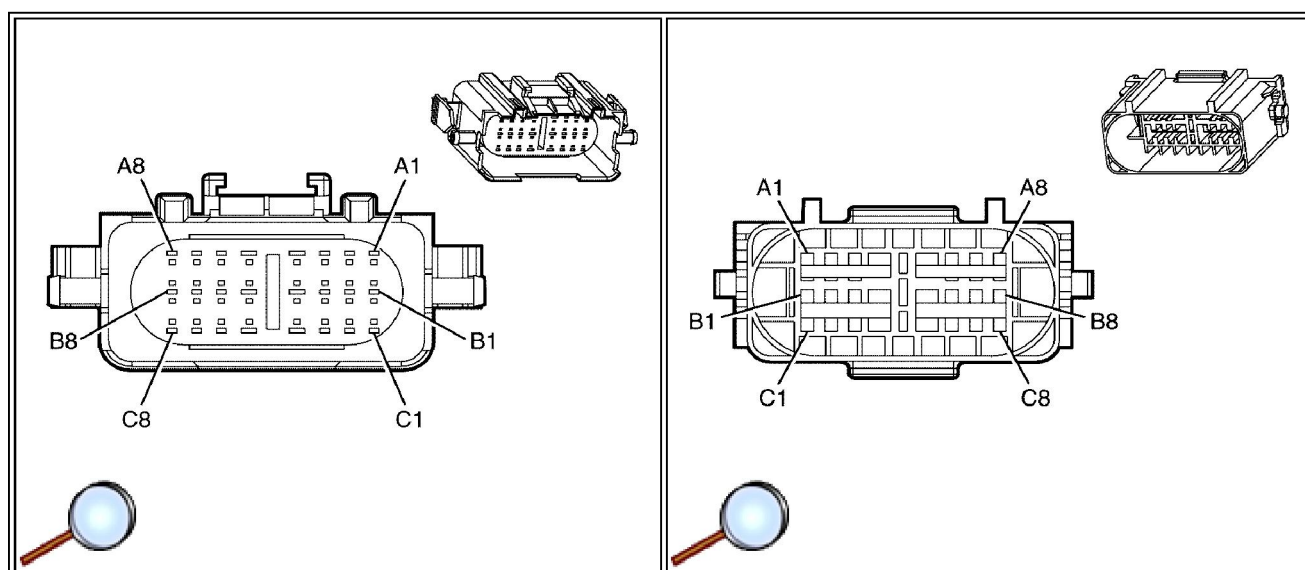
- | Terminal/Tray: 15326269/19
- | Core/Insulation Crimp: E/4
- | Release Tool/Test Probe: 15315247/J-35616-3 (GY)

X106 Forward Lamp Harness to the Front Body Harness

Pin	Wire Color	Circuit No.	Function	Pin	Wire Color	Circuit No.	Function
A	--	--	Not Used	A	--	--	Not Used
B	0.5 BK	350	Ground	B	0.5 BK	350	Ground
C	--	--	Not Used	C	--	--	Not Used
D	0.3 D-GN	1409	Discriminating Sensor - Signal	D	0.3 D-GN	1409	Discriminating Sensor - Signal
E	0.3 GY	5600	Discriminating Sensor - Low Reference	E	0.3 GY	5600	Discriminating Sensor - Low Reference

F-G	--	--	Not Used	F-G	--	--	Not Used
H	0.3 YE	354	Discriminating Sensor - Signal	H	0.3 YE	354	Discriminating Sensor - Signal
J	0.3 BN/YE	5045	Discriminating Sensor - Low Reference	J	0.3 BN/YE	5045	Discriminating Sensor - Low Reference
K	0.3 BN	61	Low Reference	K	0.3 BN	61	Low Reference
L	0.3 L-GN/BK	735	Ambient Air Temperature Sensor Signal	L	0.3 L-GN/BK	735	Ambient Air Temperature Sensor Signal
M	-	-	Not Used	M	-	-	Not Used

X107 Forward Lamp Harness to the Front Compartment Harness



Connector Part Information

- | OEM: 15366099
- | Service: See Catalog
- | Description: 24-Way F

Terminal Part Information

- | Terminal/Tray: See Terminal Repair Kit
- | Core/Insulation Crimp: See Terminal Repair Kit
- | Release Tool/Test Probe: See Terminal Repair Kit

Connector Part Information

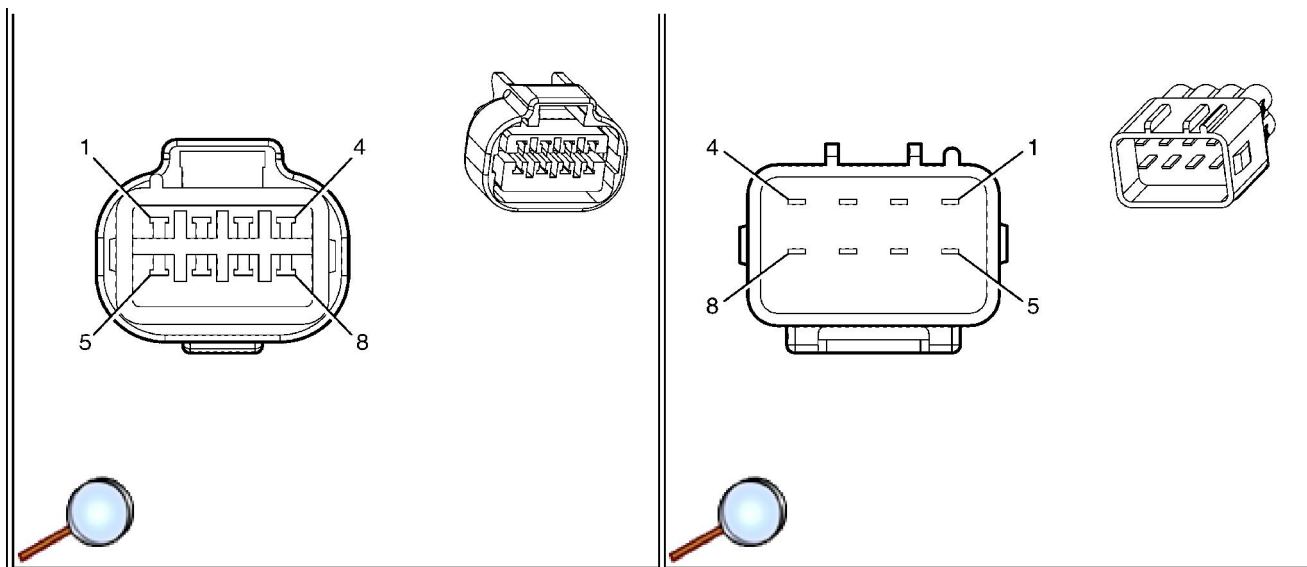
- | OEM: 15336173
- | Service: See Catalog
- | Description: 24-Way M

Terminal Part Information

- | Terminal/Tray: See Terminal Repair Kit
- | Core/Insulation Crimp: See Terminal Repair Kit
- | Release Tool/Test Probe: See Terminal Repair Kit

X107 Forward Lamp Harness to the Front Compartment Harness

Pin	Wire Color	Circuit No.	Function	Pin	Wire Color	Circuit No.	Function
A1	0.3 YE	354	Discriminating Sensor - Signal	A1	0.3 YE	354	Discriminating Sensor - Signal



Connector Part Information

- | OEM: 7283-1081-30
- | Service: See Catalog
- | Description: 8-Way F 090 II Series (BK)

Connector Part Information

- | OEM: 7282-1081-30
- | Service: See Catalog
- | Description: 8-Way M 090 II Series Sealed (BK)

Terminal Part Information

- | Terminal/Tray: 7116-4026/11
- | Core/Insulation Crimp: E/1
- | Release Tool/Test Probe: 15313892/J-35616-18 (BK)

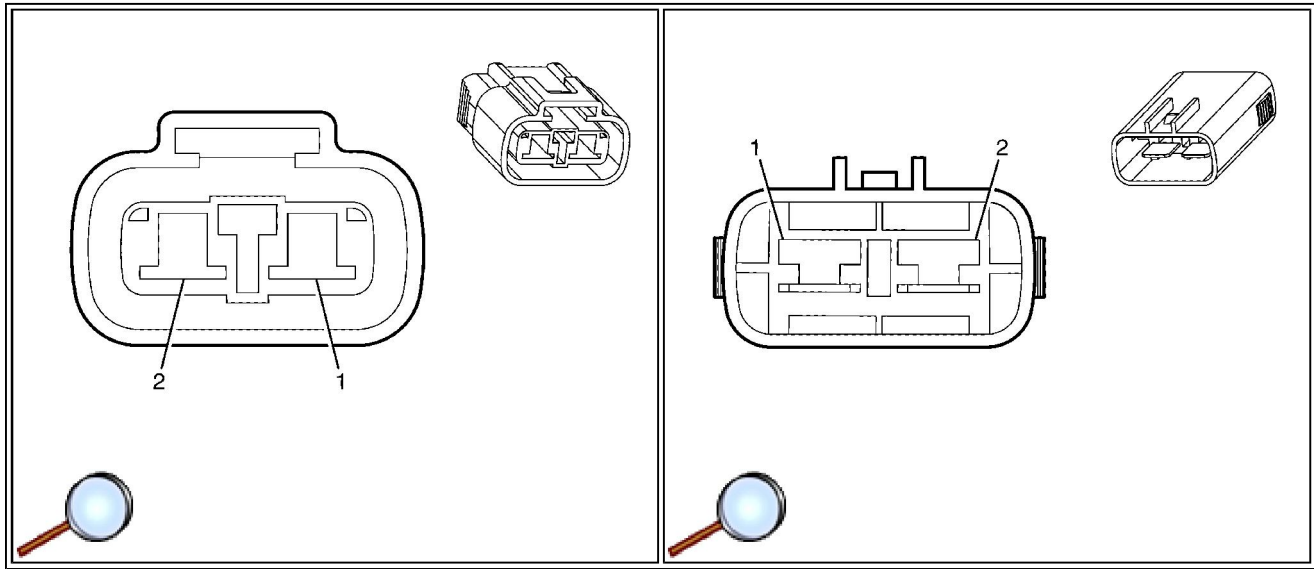
Terminal Part Information

- | Terminal/Tray: 7114-4026/11
- | Core/Insulation Crimp: E/1
- | Release Tool/Test Probe: 15315247/J-35616-19 (BK)

X108 Fog Lamp Harness to the Front Body Harness

Pin	Wire Color	Circuit No.	Function	Pin	Wire Color	Circuit No.	Function
1	0.3 BN	6581	Object Sensor Supply Voltage	1	0.3 BN	6581	Object Sensor Supply Voltage
2	0.3 PU/WH	5215	LF Corner Object Sensor Signal	2	0.3 PU/WH	5215	LF Corner Object Sensor Signal
3	0.3 PU/BK	5218	RF Middle Object Sensor Signal	3	0.3 PU/BK	5218	RF Middle Object Sensor Signal
4	0.75 PU	34	Fog Lamps Supply Voltage	4	0.75 PU	34	Fog Lamps Supply Voltage
5	0.3 OG/BK	5214	Object Sensor Low Reference	5	0.3 OG/BK	5214	Object Sensor Low Reference
6	0.3 WH	5216	LF Middle Object Sensor Signal	6	0.3 WH	5216	LF Middle Object Sensor Signal
7	0.3 BN/WH	5217	RF Corner Object Sensor Signal	7	0.3 BN/WH	5217	RF Corner Object Sensor Signal
8	0.75 BK	350	Ground	8	0.75 BK	350	Ground

X110 Engine Harness to the Front Body Harness



Connector Part Information

- | OEM: 7283-3036-10
- | Service: See Catalog
- | Description: 2-Way F (GY)

Terminal Part Information

- | Terminal/Tray: 7116-4112-02/9
- | Core/Insulation Crimp: C/D
- | Release Tool/Test Probe: 12094430/J-35616-35 (VT)

Connector Part Information

- | OEM: 7182-7519-10
- | Service: See Catalog
- | Description: 2-Way M (GY)

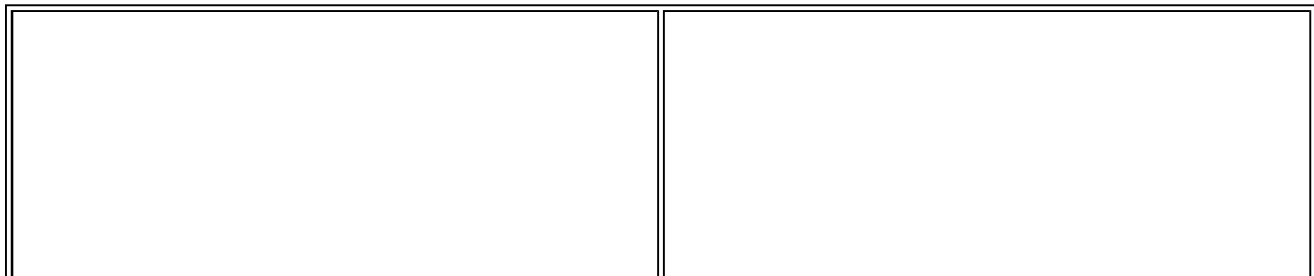
Terminal Part Information

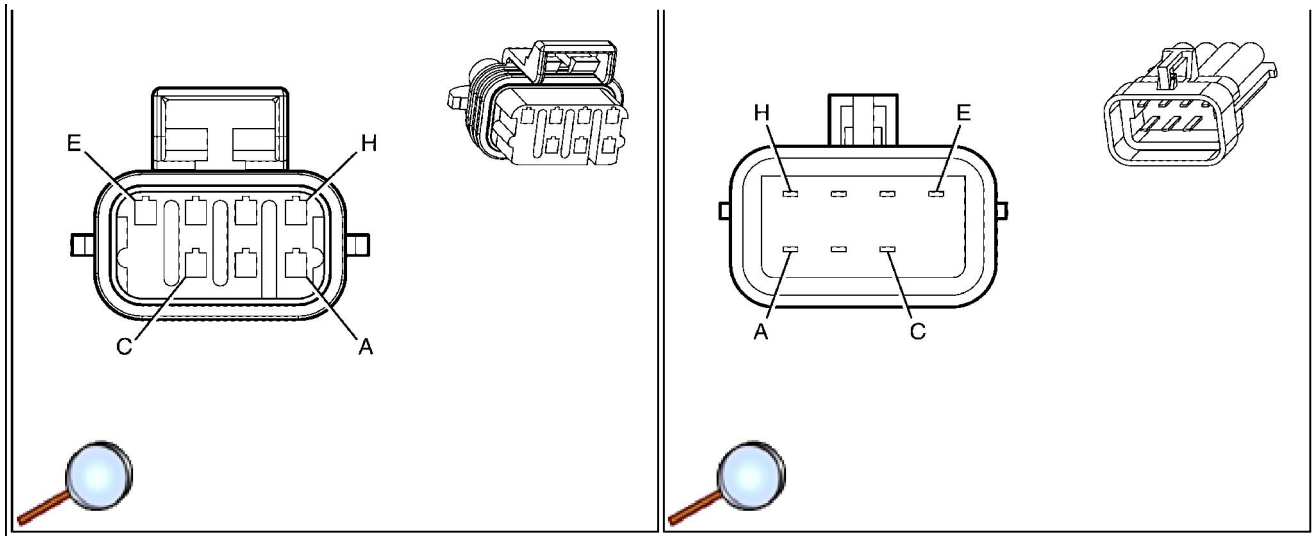
- | Terminal/Tray: See Terminal Repair Kit
- | Core/Insulation Crimp: See Terminal Repair Kit
- | Release Tool/Test Probe: See Terminal Repair Kit

X110 Engine Harness to the Front Body Harness

Pin	Wire Color	Circuit No.	Function	Pin	Wire Color	Circuit No.	Function
1	2 RD/BK	142	Battery Positive Voltage	1	2 RD/BK	142	Battery Positive Voltage
2	3 OG	3540	Battery Positive Voltage	2	3 OG	3540	Battery Positive Voltage

X112 Engine Harness to the Ignition Coil Harness (L98)





Connector Part Information

- | OEM: 7129-3170
- | Service: 12102754
- | Description: 7-Way F

Terminal Part Information

- | Terminal/Tray: 12048074/2
- | Core/Insulation Crimp: E/1
- | Release Tool/Test Probe: 12094429/J-35616-14 (GN)

Connector Part Information

- | OEM: 12047933
- | Service: 12047933
- | Description: 7-Way M Metri-Pack 150 Series (GY)

Terminal Part Information

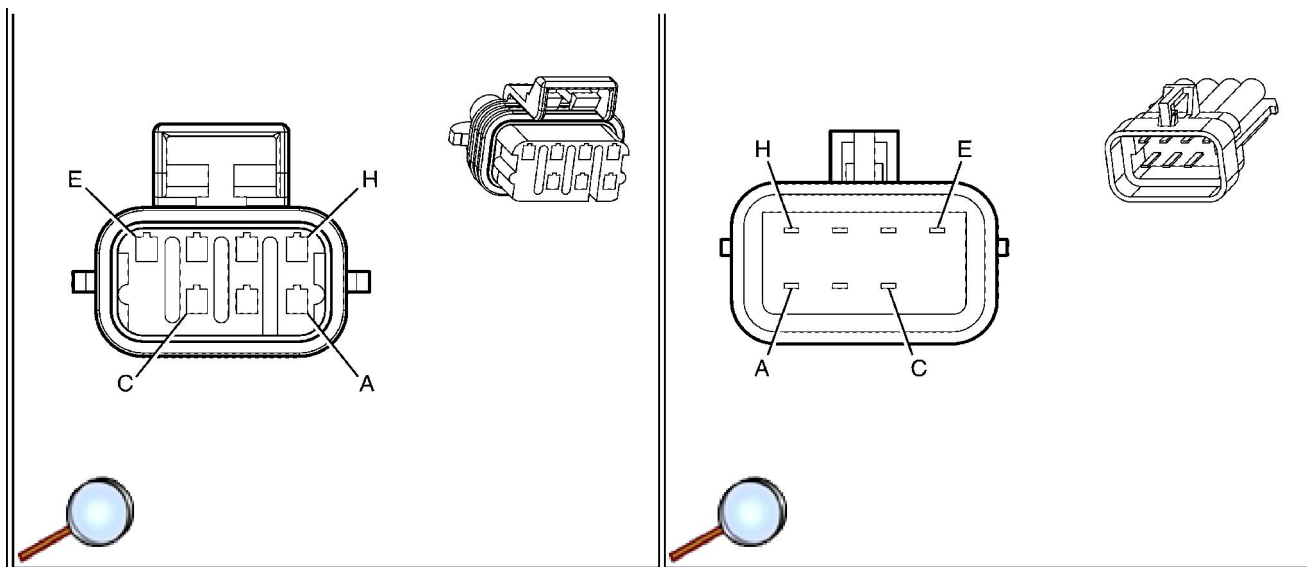
- | Terminal/Tray: See Terminal Repair Kit
- | Core/Insulation Crimp: See Terminal Repair Kit
- | Release Tool/Test Probe: See Terminal Repair Kit

X112 Engine Harness to the Ignition Coil Harness (L98)

Pin	Wire Color	Circuit No.	Function	Pin	Wire Color	Circuit No.	Function
A	0.75 BK	450	Ground	A	0.8 BK	151	Ground
B	0.5 OG/WH	2122	Ignition Control 2	B	0.5 OG/WH	2127	Ignition Control 2
C	0.5 D-GN/WH	2124	Ignition Control 4	C	0.5 D-GN/WH	2125	Ignition Control 4
E	0.5 BN/WH	2130	Low Reference	E	0.5 BN/WH	2129	Low Reference
F	0.5 L-BU/WH	2126	Ignition Control 6	F	0.5 L-BU/WH	2123	Ignition Control 6
G	0.5 PU/WH	2128	Ignition Control 8	G	0.5 PU/WH	2121	Ignition Control 8
H	0.75 PK	5292	Ignition 1 Voltage	H	0.8 PK/BK	39	Ignition 1 Voltage

X113 Engine Harness to the Ignition Coil Harness (L98)





Connector Part Information

- | OEM: 7129-3170
- | Service: 12102754
- | Description: 7-Way F

Terminal Part Information

- | Terminal/Tray: 12048074/2
- | Core/Insulation Crimp: E/1
- | Release Tool/Test Probe: 12094429/J-35616-14 (GN)

Connector Part Information

- | OEM: 12047933
- | Service: 12047933
- | Description: 7-Way M Metri-Pack 150 Series (GY)

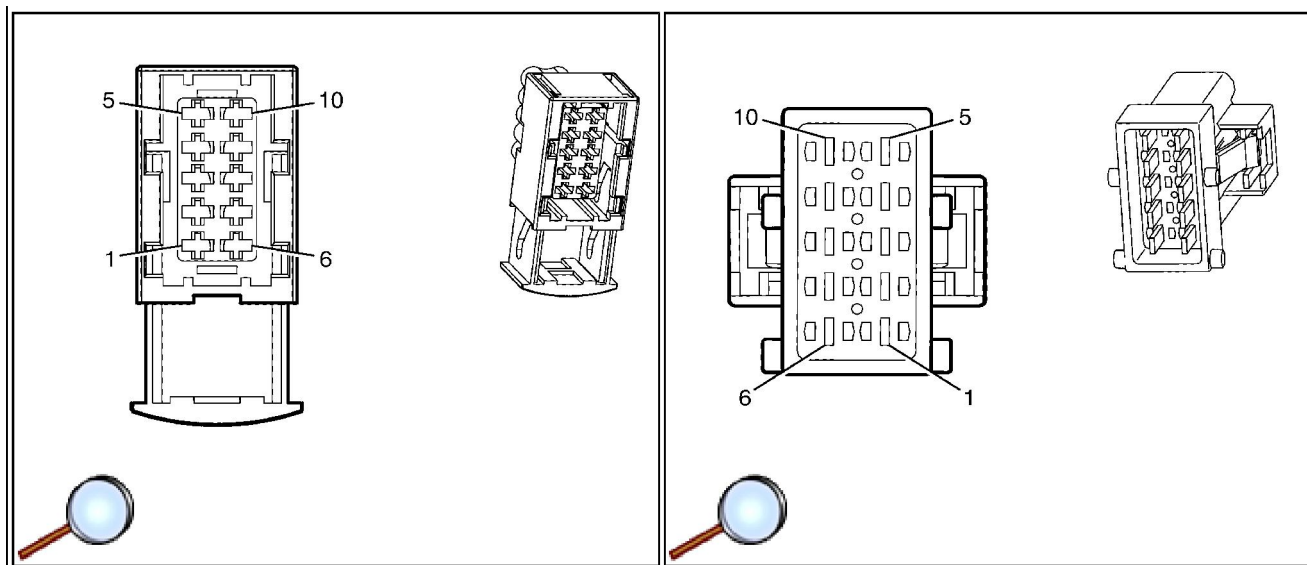
Terminal Part Information

- | Terminal/Tray: See Terminal Repair Kit
- | Core/Insulation Crimp: See Terminal Repair Kit
- | Release Tool/Test Probe: See Terminal Repair Kit

X113 Engine Harness to the Ignition Coil Harness (L98)

Pin	Wire Color	Circuit No.	Function	Pin	Wire Color	Circuit No.	Function
A	0.75 BK	2450	Ground	A	0.8 BK	151	Ground
B	0.5 OG	2127	Ignition Control 7	B	0.5 OG	2127	Ignition Control 7
C	0.5 D-GN/RD	2125	Ignition Control 5	C	0.5 D-GN	2125	Ignition Control 5
E	0.5 BN	2129	Low Reference	E	0.5 BN	2129	Low Reference
F	0.5 L-BU	2123	Ignition Control 3	F	0.5 L-BU	2123	Ignition Control 3
G	0.5 PU	2121	Ignition Control 1	G	0.5 PU	2121	Ignition Control 1
H	0.75 PK/BK	5291	Ignition 1 Voltage	H	0.8 PK/BK	39	Ignition 1 Voltage

X114 Engine Harness to the Fuel Injector Harness (LY7)



Connector Part Information

- | OEM: 7283-7109-30
- | Service: See Catalog
- | Description: 10-Way F (BK)

Connector Part Information

- | OEM: 1-962352-1
- | Service: See Catalog
- | Description: 10-Way M Junior Power Timer Series, Sealed (BK)

Terminal Part Information

- | Pins: 3-8
- | Terminal/Tray: 4-964286-1/16
- | Core/Insulation Crimp: E/1
- | Release Tool/Test Probe: 12093647/J-35616-4A (PU)

Terminal Part Information

- | Terminal/Tray: See Terminal Repair Kit
- | Core/Insulation Crimp: See Terminal Repair Kit
- | Release Tool/Test Probe: See Terminal Repair Kit

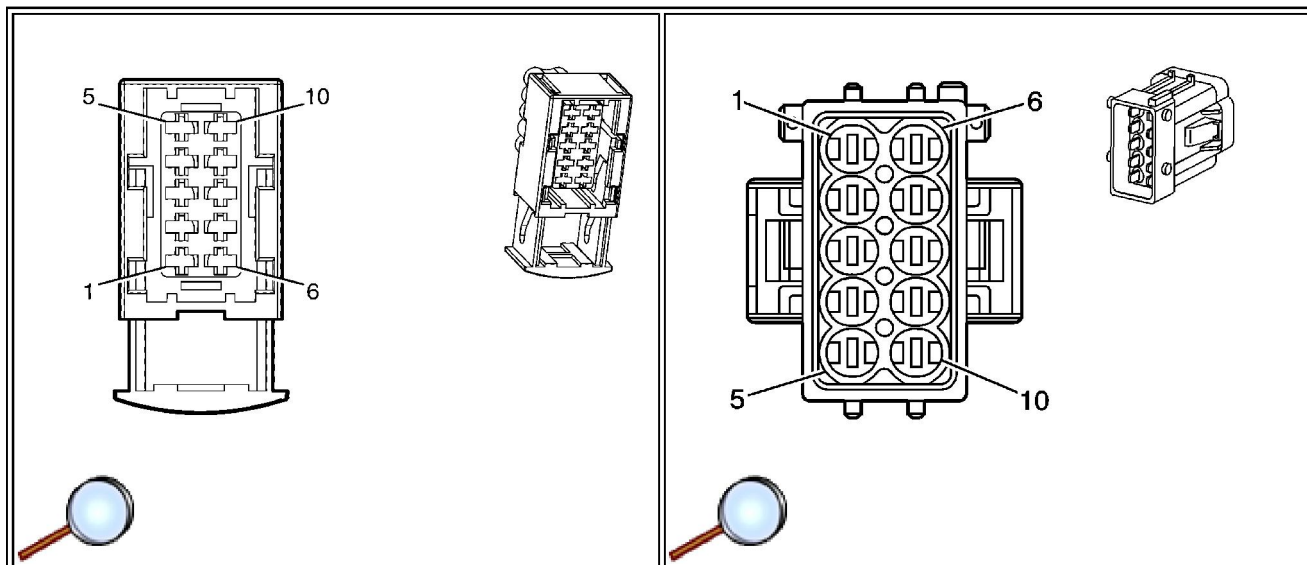
- | Pins: 1, 2
- | Terminal/Tray: 4-964273-1/15
- | Core/Insulation Crimp: E/1
- | Release Tool/Test Probe: 12093647/J-35616-4A (PU)

X114 Engine Harness to the Fuel Injector Harness (LY7)

Pin	Wire Color	Circuit No.	Function	Pin	Wire Color	Circuit No.	Function
1	1.25 PK/BU	5291	Ignition 1 Voltage	1	1.25 PK/BU	5291	Ignition 1 Voltage
2	1.25 PK	5292	Ignition 1 Voltage	2	1.25 PK	5292	Ignition 1 Voltage
3	0.75 BN/BK	1744	Fuel Injector 1 Control	3	0.8 BN/BK	1744	Fuel Injector 1 Control
4	0.75 PK/BK	1746	Fuel Injector 3 Control	4	0.8 PK/BK	1746	Fuel Injector 3 Control
5	0.75 BN/WH	845	Fuel Injector 5 Control	5	0.8 BN/WH	845	Fuel Injector 5 Control
	0.75 L-		Fuel Injector 2		0.8 L-		Fuel Injector 2

6	GN/BK	1745	Control	6	GN/BK	1745	Control
7	0.75 L-BU/BK	844	Fuel Injector 4 Control	7	0.8 L-BU/BK	844	Fuel Injector 4 Control
8	0.75 YE/BK	846	Fuel Injector 6 Control	8	0.8 YE/BK	846	Fuel Injector 6 Control
9-10	--	--	Not Used	9-10	--	--	Not Used

X115 Forward Lamp Harness to the Left Headlamp



Connector Part Information

- | OEM: 7283-7109-30
- | Service: See Catalog
- | Description: 10-Way F (BK)

Terminal Part Information

- | Terminal/Tray: 4-964286-1/16
- | Core/Insulation Crimp: E/1
- | Release Tool/Test Probe: 12093647/J-35616-4A (PU)

Connector Part Information

- | OEM: 1-962352-1
- | Service: Non Serviceable
- | Description: 10-Way M (BK)

Terminal Part Information

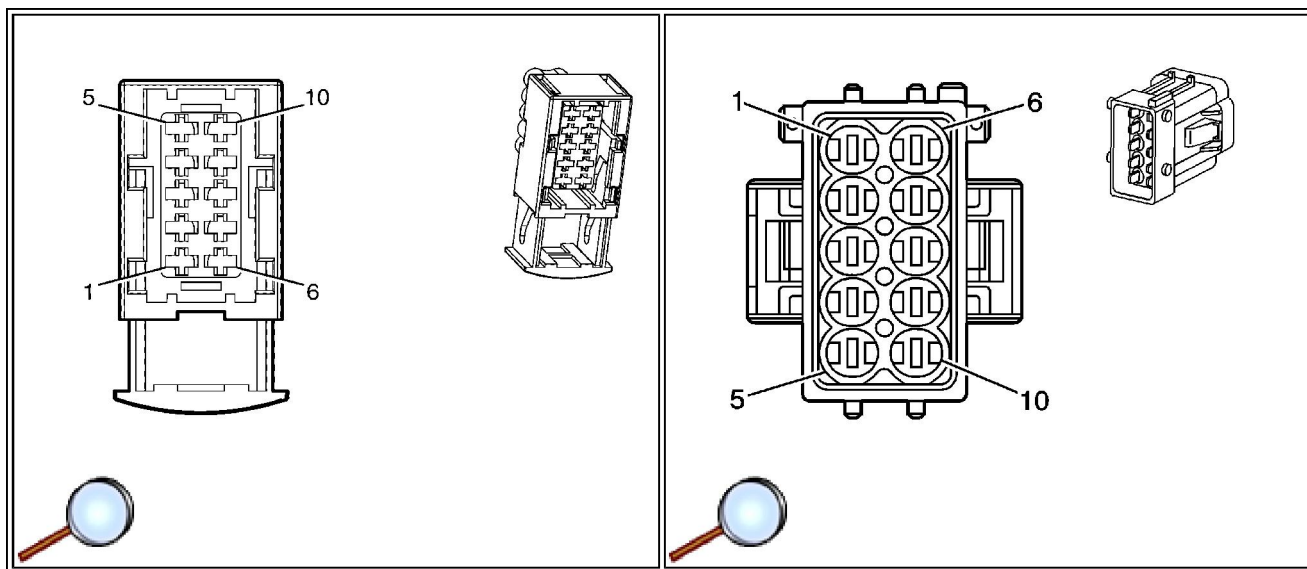
- | Terminal/Tray: See Terminal Repair Kit
- | Core/Insulation Crimp: See Terminal Repair Kit
- | Release Tool/Test Probe: See Terminal Repair Kit

X115 Forward Lamp Harness to the Left Headlamp

Pin	Wire Color	Circuit No.	Function	Pin	Wire Color	Circuit No.	Function
1	0.5 BK	250	Ground	1	0.5 BK/WH	250	Ground
2	0.5 BK	350	Ground	2	0.5 TN	350	Ground
3	0.5 BK	250	Ground	3	0.5 BK	250	Ground
4-5	--	--	Not Used	4-5	--	--	Not Used

6	0.5 PU	709	Left Park Lamp Supply Voltage	6	0.5 L-GN	709	Left Park Lamp Supply Voltage
7	0.5 YE	712	Left Headlamp Low Beam Supply Voltage	7	0.5 TN	712	Left Headlamp Low Beam Supply Voltage
8	0.5 D-GN/WH	711	Left Headlamp High Beam Supply Voltage	8	0.5 BK	711	Left Headlamp High Beam Supply Voltage
9	0.5 L-BU/WH	1314	Left Front Turn Signal Lamp Supply Voltage	9	0.5 RD	1314	Left Front Turn Signal Lamp Supply Voltage
10	--	--	Not Used	10	--	--	Not Used

X116 Forward Lamp Harness to the Right Headlamp



Connector Part Information

- | OEM: 7283-7109-30
- | Service: See Catalog
- | Description: 10-Way F (BK)

Terminal Part Information

- | Terminal/Tray: 4-964286-1/16
- | Core/Insulation Crimp: E/1
- | Release Tool/Test Probe: 12093647/J-35616-4A (PU)

Connector Part Information

- | OEM: 1-962352-1
- | Service: Non Serviceable
- | Description: 10-Way M (BK)

Terminal Part Information

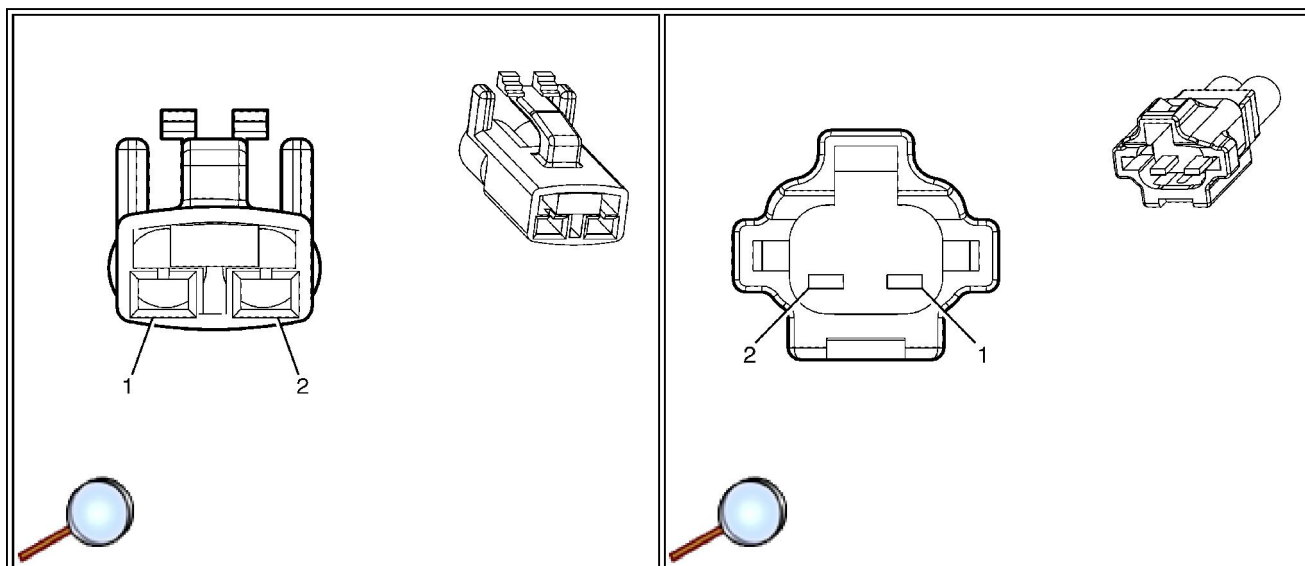
- | Terminal/Tray: See Terminal Repair Kit
- | Core/Insulation Crimp: See Terminal Repair Kit
- | Release Tool/Test Probe: See Terminal Repair Kit

X116 Forward Lamp Harness to the Right Headlamp

Pin	Wire Color	Circuit No.	Function	Pin	Wire Color	Circuit No.	Function
1	0.5 BK	250	Ground	1	0.5 BK/WH	250	Ground
2	0.5 BK	350	Ground	2	0.5 TN	350	Ground

3	0.5 BK	250	Ground	3	0.5 BK	250	Ground
4-5	--	--	Not Used	4-5	--	--	Not Used
6	0.5 BN/WH	309	Right Park Lamp Supply Voltage	6	0.5 L-GN	309	Right Park Lamp Supply Voltage
7	0.5 BN/BK	312	Right Headlamp Low Beam Supply Voltage	7	0.5 TN	312	Right Headlamp Low Beam Supply Voltage
8	0.5 L-GN/BK	311	Right Headlamp High Beam Supply Voltage	8	0.5 BK	311	Right Headlamp High Beam Supply Voltage
9	0.5 D-BU/WH	1315	Right Front Turn Signal Lamp Supply Voltage	9	0.5 RD	1315	Right Front Turn Signal Lamp Supply Voltage
10	--	--	Not Used	10	--	--	Not Used

X160 Left Front Wheel Speed Sensor Harness to the Front Body Harness



Connector Part Information

- | OEM: 7283-7420-40
- | Service: See Catalog
- | Description: 2-Way F (GY)

Terminal Part Information

- | Terminal/Tray: See Terminal Repair Kit
- | Core/Insulation Crimp: See Terminal Repair Kit
- | Release Tool/Test Probe: See Terminal Repair Kit

Connector Part Information

- | OEM: 7282-7420-40
- | Service: See Catalog
- | Description: 2-Way M 090 II Series Sealed (GY)

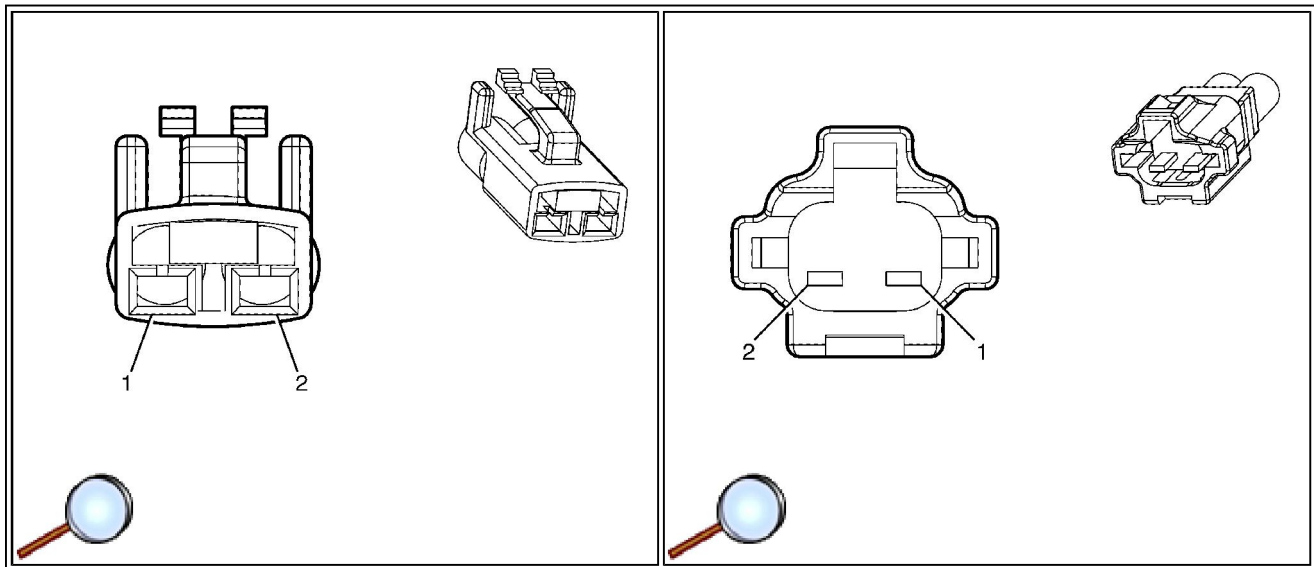
Terminal Part Information

- | Terminal/Tray: 7114-4025/11
- | Core/Insulation Crimp: E/1
- | Release Tool/Test Probe: 15315247/J-35616-19 (BK)

X160 Left Front Wheel Speed Sensor Harness to the Front Body Harness

Pin	Wire Color	Circuit No.	Function	Pin	Wire Color	Circuit No.	Function
1	0.75 BN	830	Left Front Wheel Speed Sensor Signal	1	0.5 L-BU	830	Left Front Wheel Speed Sensor Signal
2	0.75 BK	7064	Left Front Wheel Speed Sensor Supply Voltage	2	0.5 GY	7064	Left Front Wheel Speed Sensor Supply Voltage

X161 Right Front Wheel Speed Sensor Harness to the Front Body Harness



Connector Part Information

- | OEM: 7283-7029-40
- | Service: See Catalog
- | Description: 2-Way F 090 II Series (GY)

Terminal Part Information

- | Terminal/Tray: See Terminal Repair Kit
- | Core/Insulation Crimp: See Terminal Repair Kit
- | Release Tool/Test Probe: See Terminal Repair Kit

Connector Part Information

- | OEM: 7282-7420-40
- | Service: See Catalog
- | Description: 2-Way M 090 II Series Sealed (GY)

Terminal Part Information

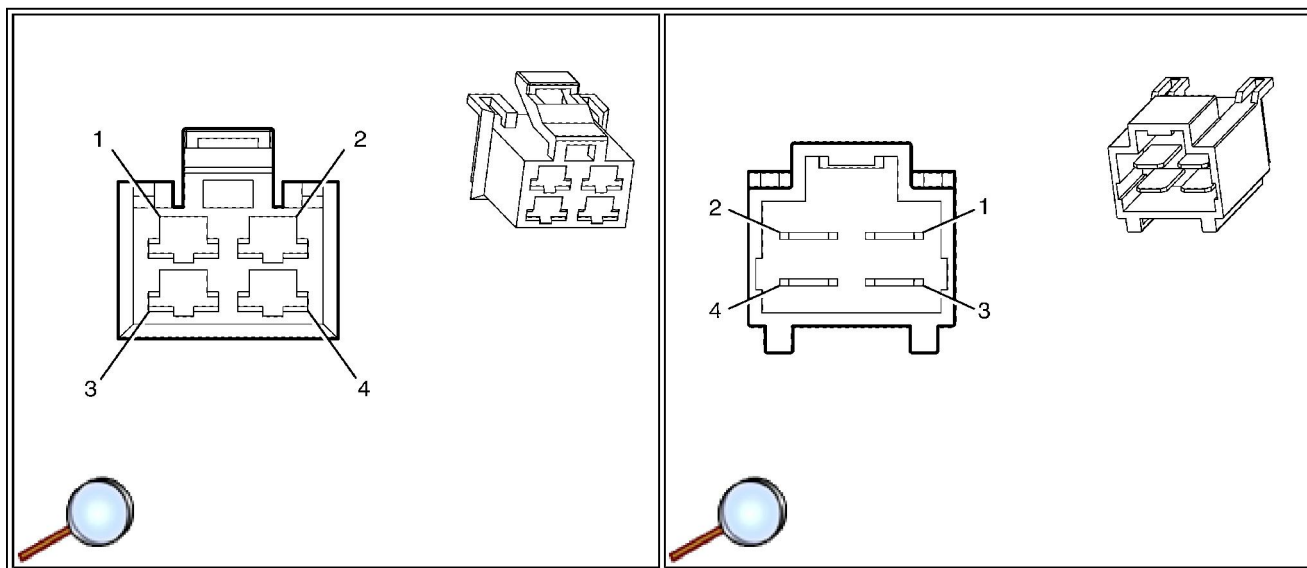
- | Terminal/Tray: 7114-4025/11
- | Core/Insulation Crimp: E/1
- | Release Tool/Test Probe: 15315247/J-35616-19 (BK)

X161 Right Front Wheel Speed Sensor Harness to the Front Body Harness

Pin	Wire Color	Circuit No.	Function	Pin	Wire Color	Circuit No.	Function
1	0.75 BN	872	Right Front Wheel Speed Sensor Signal	1	0.5 D-GN	872	Right Front Wheel Speed Sensor Signal
			Right Front Wheel				Right Front Wheel

2	0.75 BK	7065	Speed Sensor Supply Voltage	2	0.5 GY	7065	Speed Sensor Supply Voltage
---	---------	------	-----------------------------	---	--------	------	-----------------------------

X162 Forward Lamp Harness to the Cooling Fan Assembly



Connector Part Information

- | OEM: 7123-6244-40
- | Service: See Catalog
- | Description: 4-Way F 58 X-Type Sealed (GY)

Terminal Part Information

- | Terminal/Tray: See Terminal Repair Kit
- | Core/Insulation Crimp: See Terminal Repair Kit
- | Release Tool/Test Probe: See Terminal Repair Kit

Connector Part Information

- | OEM: 7222-6244-40
- | Service: See Catalog
- | Description: 4-Way M (GY)

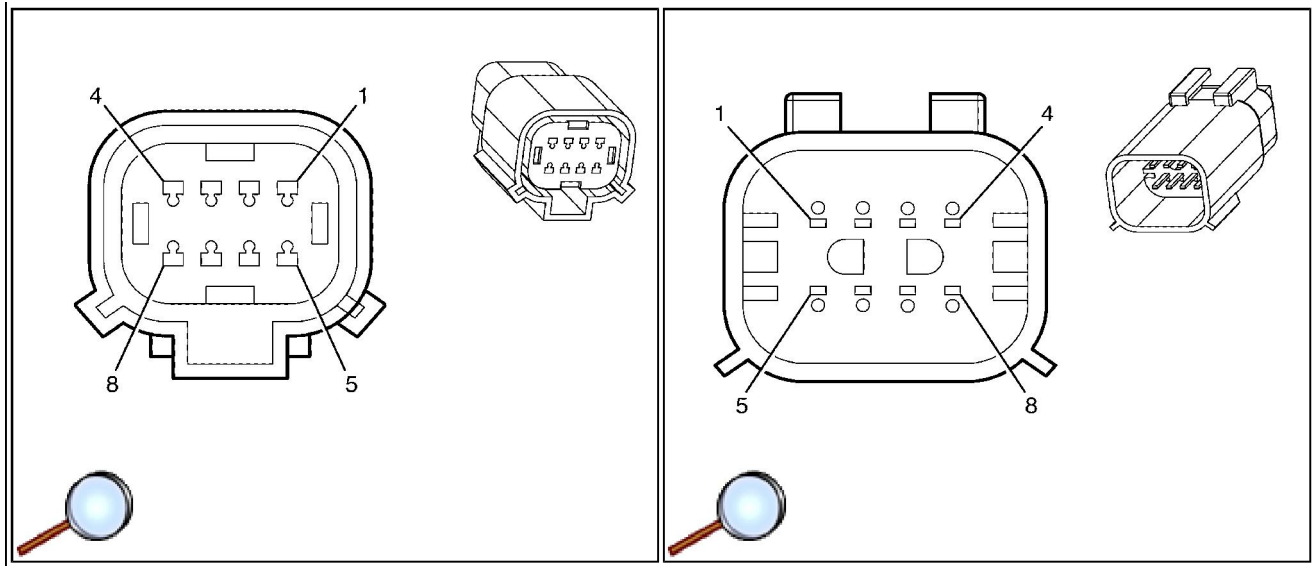
Terminal Part Information

- | Terminal/Tray: See Terminal Repair Kit
- | Core/Insulation Crimp: See Terminal Repair Kit
- | Release Tool/Test Probe: See Terminal Repair Kit

X162 Forward Lamp Harness to the Cooling Fan Assembly

Pin	Wire Color	Circuit No.	Function	Pin	Wire Color	Circuit No.	Function
1	3 D-BU	409	Left Cooling Fan Motor Supply Voltage	1	3 L-BU	409	Left Cooling Fan Motor Supply Voltage
2	3 BK	250	Ground	2	3 BK	250	Ground
3	3 WH	504	Right Cooling Fan Motor Low Reference	3	3 WH	504	Right Cooling Fan Motor Low Reference
4	3 GY	532	Right Cooling Fan Motor Supply Voltage	4	3 GY	532	Right Cooling Fan Motor Supply Voltage

X165 Front Body Harness to the I/P Harness



Connector Part Information

- | OEM: 7283-4258-30
- | Service: See Catalog
- | Description: 8-Way F (BK)

Terminal Part Information

- | Terminal/Tray: See Terminal Repair Kit
- | Core/Insulation Crimp: See Terminal Repair Kit
- | Release Tool/Test Probe: See Terminal Repair Kit

Connector Part Information

- | OEM: 7282-4256-30
- | Service: See Catalog
- | Description: 8-Way M (BK)

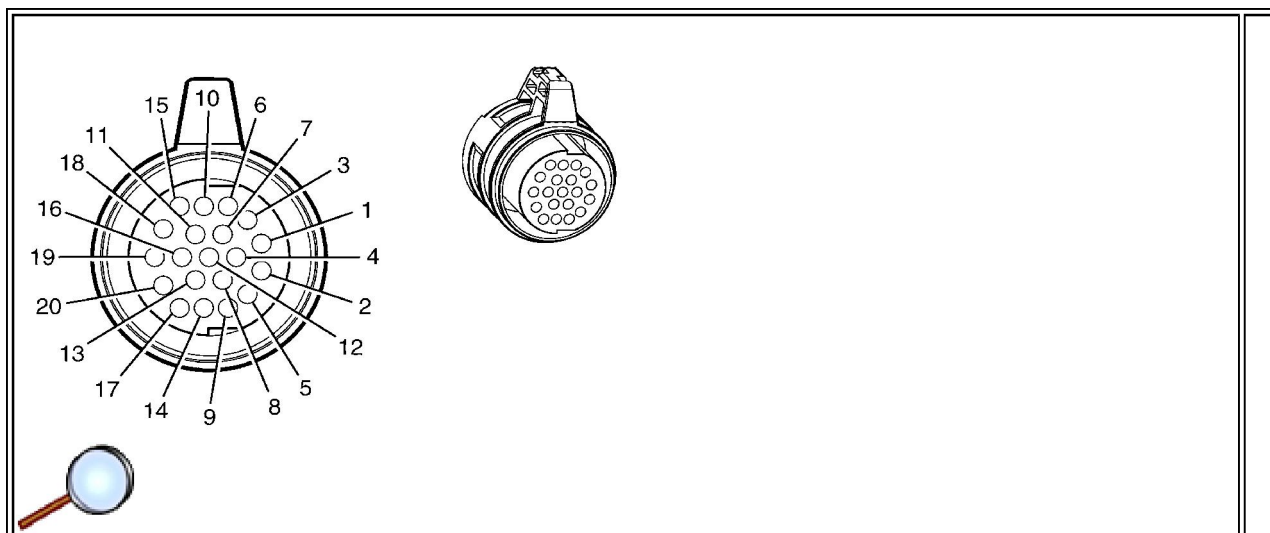
Terminal Part Information

- | Terminal/Tray: See Terminal Repair Kit
- | Core/Insulation Crimp: See Terminal Repair Kit
- | Release Tool/Test Probe: See Terminal Repair Kit

X165 Front Body Harness to the I/P Harness

Pin	Wire Color	Circuit No.	Function	Pin	Wire Color	Circuit No.	Function
1	0.5 L-BU	5986	Communication Enable Relay Supply Voltage	1	0.5 L-BU	5986	Communication Enable Relay Supply Voltage
2	0.5 BK/BU	2088	Low Reference	2	0.5 BK/BU	2088	Low Reference
3	--	--	Not Used	3	--	--	Not Used
4	0.5 BN	185	Low Washer Fluid Indicator Control	4	0.5 BN	185	Low Washer Fluid Indicator Control
5	--	--	Not Used	5	--	--	Not Used
6	0.5 WH	2282	Headlamp Washer Relay Control	6	0.5 WH	2282	Headlamp Washer Relay Control
7	0.3 BN	61	Low Reference	7	0.3 BN	61	Low Reference
8	0.3 L-GN/BK	735	Ambient Air Temperature Sensor Signal	8	0.3 L-GN/BK	735	Ambient Air Temperature Sensor Signal

X175 Engine Harness to the Automatic Transmission (M82)



Connector Part Information

- | OEM: 7229-2575-30
- | Service: See Catalog
- | Description: 20-Way F (BK)

Terminal Part Information

- | Terminal/Tray: See Terminal Repair Kit
- | Core/Insulation Crimp: See Terminal Repair Kit
- | Release Tool/Test Probe: See Terminal Repair Kit

Connector Part Information

- | OEM: 9432001
- | Service: See Catalog
- | Description: 20-Way M (BK)

Terminal Part Information

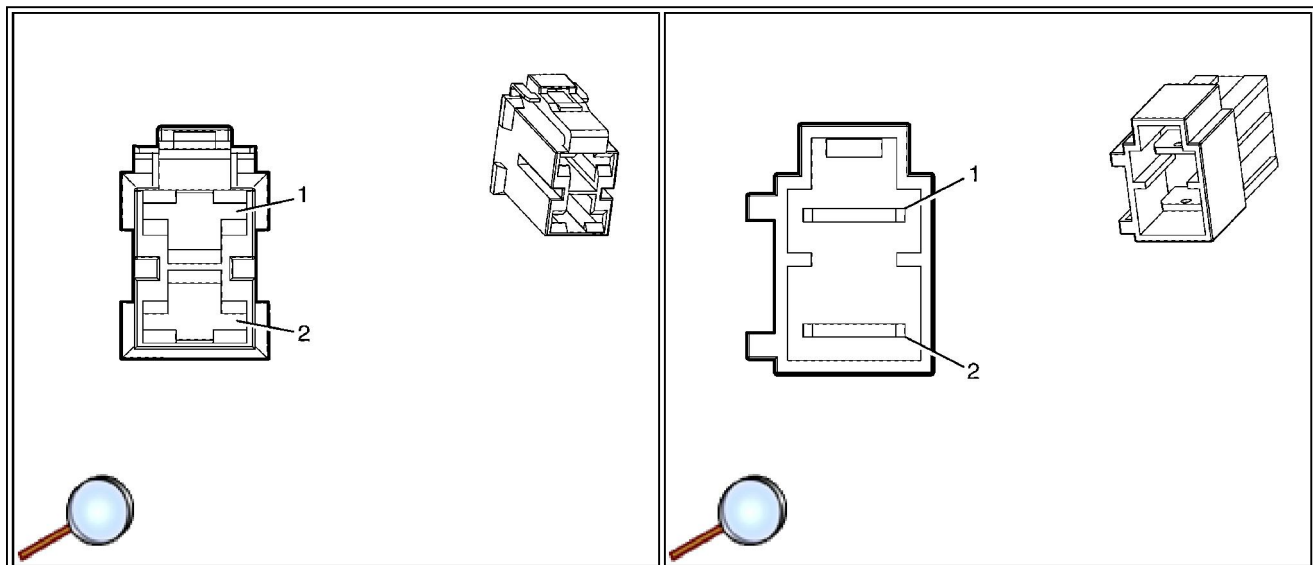
- | Terminal/Tray: See Terminal Repair Kit
- | Core/Insulation Crimp: See Terminal Repair Kit
- | Release Tool/Test Probe: See Terminal Repair Kit

X175 Engine Harness to the Automatic Transmission (M82)

Pin	Wire Color	Circuit No.	Function	Pin	Wire Color	Circuit No.	Function
1	0.5 L-GN/BK	822	VSS Low Signal	1	0.5 OG	822	VSS Low Signal
2	0.5 OG/BK	1786	Park/Neutral Signal	2	0.5 BN	1786	Park/Neutral Signal
3	0.5 PU/WH	821	VSS High Signal	3	0.5 WH	821	VSS High Signal
4	0.5 BK	450	Ground	4	0.5 D-GN	450	Ground
5	0.5 WH	898	Shift Solenoid C Valve Control	5	0.5 GY	898	Shift Solenoid C Valve Control
6	0.5 BN/WH	2762	Low Reference	6	0.5 WH	2762	Low Reference
7	0.5 YE	772	Transmission Range Switch Signal B	7	0.5 BK	772	Transmission Range Switch Signal B
8	0.5 L-BU/WH	1229	PC Solenoid Valve Low Control	8	0.5 WH	1229	PC Solenoid Valve Low Control
	0.5		Shift Solenoid B Valve		0.5 D-		Shift Solenoid B Valve

9	YE/BK	1223	Control	9	BU	1223	Control
10	0.5 YE/BK	1227	TFT Sensor Signal	10	0.5 RD	1227	TFT Sensor Signal
11	0.5 WH	776	Transmission Range Switch Signal P	11	0.5 GY	776	Transmission Range Switch Signal P
12	--	--	Not Used	12	--	--	Not Used
13	0.5 OG/BK	1228	PC Solenoid Valve High Control	13	0.5 D-GN	1228	PC Solenoid Valve High Control
14	0.5 L-GN	1222	Shift Solenoid A Valve Control	14	0.5 BK	1222	Shift Solenoid A Valve Control
15	0.5 L-BU	1984	Transmission Turbine Speed Switch Low Reference	15	0.5 WH	1984	Transmission Turbine Speed Switch Low Reference
16	0.5 BN/YE	771	Transmission Range Switch Signal A	16	0.5 RD	771	Transmission Range Switch Signal A
17	0.5 OG	1525	Clutch Pressure Control Solenoid Valve 1 High Control	17	0.5 WH	1525	Clutch Pressure Control Solenoid Valve 1 High Control
18	0.5 OG	1983	Transmission Turbine Speed Switch Signal	18	0.5 YE	1983	Transmission Turbine Speed Switch Signal
19	0.5 GY	773	Transmission Range Switch Signal C	19	0.5 D-BU	773	Transmission Range Switch Signal C
20	0.5 BN	418	TCC PWM Solenoid Valve Control	20	0.5 YE	418	TCC PWM Solenoid Valve Control

X200 I/P Harness to the Front Body Harness



Connector Part Information

- | OEM: 7123-4123-30
- | Service: 88953301

Connector Part Information

- | OEM: 7122-4123-30
- | Service: See Catalog

| Description: 2-Way F L Type (BK)

Terminal Part Information

- | Terminal/Tray: 7116-3250/10
- | Core/Insulation Crimp: G/3
- | Release Tool/Test Probe: 12094430/J-35616-22 (RD)

| Description: 2-Way M (BK)

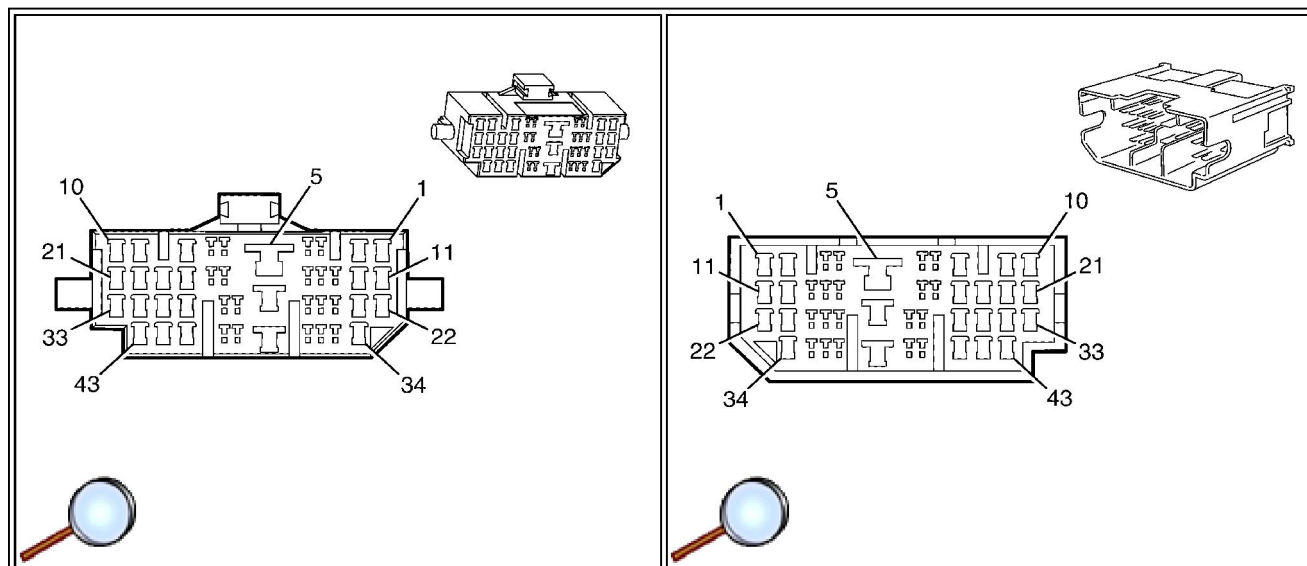
Terminal Part Information

- | Terminal/Tray: 7114-3250/14
- | Core/Insulation Crimp: G/3
- | Release Tool/Test Probe: 12094430/J-35616-21 (RD)

X200 I/P Harness to the Front Body Harness

Pin	Wire Color	Circuit No.	Function	Pin	Wire Color	Circuit No.	Function
1	5 RD	9320	Battery Positive Voltage	1	5 RD	242	Battery Positive Voltage
2	5 RD/BK	9371	Battery Positive Voltage	2	5 RD/BK	642	Battery Positive Voltage

X201 I/P Harness to the Front Body Harness



Connector Part Information

- | OEM: 7283-1734
- | Service: See Catalog
- | Description: 43-Way F (WH)

Terminal Part Information

- | Pins: 3, 4, 6, 7, 13-15, 17, 18, 27, 29, 30, 36-40
- | Terminal/Tray: 7116-4231-08/14
- | Core/Insulation Crimp: K/K
- | Release Tool/Test Probe: 15315247/J-35616-64B (L-BU)
- | Pins: 8, 19-26, 31, 33, 34

Connector Part Information

- | OEM: 7282-1734
- | Service: See Catalog
- | Description: 43-Way M (WH)

Terminal Part Information

- | Pins: 3, 4, 6, 7, 13-15, 17, 18, 25-30, 36-40
- | Terminal/Tray: 7114-4231-08/14
- | Core/Insulation Crimp: K/K
- | Release Tool/Test Probe: 15315247/J-35616-65B (L-BU)
- | Pins: 8, 19-24, 31, 33, 34

- | Terminal/Tray: 7116-4020/11
- | Core/Insulation Crimp: E/C
- | Release Tool/Test Probe: 15315247/J-35616-18 (BK)

- | Pin: 10
- | Terminal/Tray: 7116-4021/11
- | Core/Insulation Crimp: 2/A
- | Release Tool/Test Probe: 12094430/J-35616-40 (BU)

- | Pin: 16
- | Terminal/Tray: 7116-4031/11
- | Core/Insulation Crimp: C/A
- | Release Tool/Test Probe: 12094430/J-35616-40 (BU)

- | Pins: 32, 41-43
- | Terminal/Tray: 7116-4021/11
- | Core/Insulation Crimp: E/A
- | Release Tool/Test Probe: 15315247/J-35616-18 (BK)

- | Terminal/Tray: 7114-4020/10
- | Core/Insulation Crimp: E/C
- | Release Tool/Test Probe: 15315247/J-35616-19 (BK)

- | Pin: 10
- | Terminal/Tray: 7114-4021/10
- | Core/Insulation Crimp: 2/A
- | Release Tool/Test Probe: 15315247/J-35616-19 (BK)

- | Pin: 16
- | Terminal/Tray: 7114-4031/11
- | Core/Insulation Crimp: C/A
- | Release Tool/Test Probe: 12094430/J-35616-41 (BU)

- | Pins: 32, 41-43
- | Terminal/Tray: 7114-4021/10
- | Core/Insulation Crimp: E/A
- | Release Tool/Test Probe: 15315247/J-35616-19 (BK)

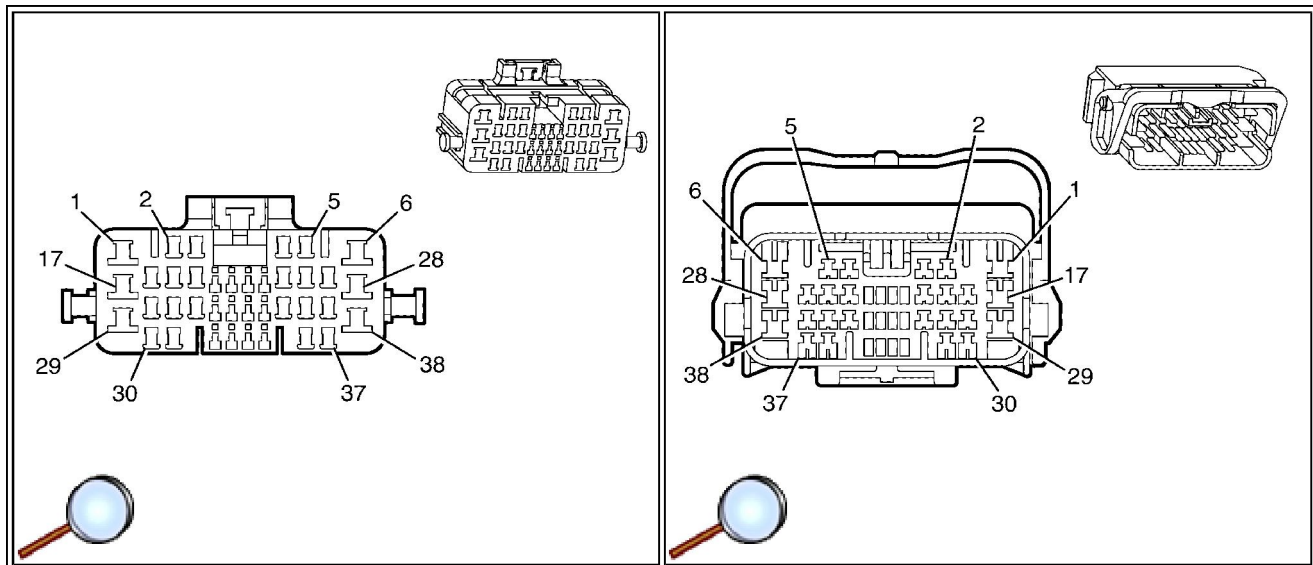
X201 I/P Harness to the Front Body Harness

Pin	Wire Color	Circuit No.	Function	Pin	Wire Color	Circuit No.	Function
1-2	--	--	Not Used	1-2	--	--	Not Used
3	0.5 BN/BU	1946	Right Rear Speaker Output (-)	3	0.5 BN/BU	1946	Right Rear Speaker Output (-)
4	0.5 D-BU	658	Right Rear Speaker Output (+)	4	0.5 D-BU	658	Right Rear Speaker Output (+)
5	--	--	Not Used	5	--	--	Not Used
6	0.3 GY/BK	746	Right Front Door Ajar Switch Signal	6	0.3 GY/BK	746	Right Front Door Ajar Switch Signal
7	--	--	Not Used	7	--	--	Not Used
8	0.85 BN	5998	Puddle Lamp Supply Voltage	8	0.85 BN	5998	Puddle Lamp Supply Voltage
9	--	--	Not Used	9	--	--	Not Used
10	1.25 BN/RD	694	Driver Door Lock Actuator Unlock Control	10	1.25 BN/RD	694	Driver Door Lock Actuator Unlock Control
11	0.85 L-BU	1960	Front Center Speaker Output (-)	11	0.85 L-BU	1960	Front Center Speaker Output (-)
12	0.85 YE	1860	Front Center Speaker Output (+)	12	0.85 YE	1860	Front Center Speaker Output (+)
13	0.5 BN	1999	Left Rear Speaker Output (-)	13	0.5 BN	1999	Left Rear Speaker Output (-)
14	0.5 BN/WH	599	Left Rear Speaker Output (+)	14	0.5 BN/WH	599	Left Rear Speaker Output (+)

15	0.5 OG/BK	744	Rear Compartment Lid Ajar Switch Signal	15	0.5 OG/BK	744	Rear Compartment Lid Ajar Switch Signal
16	--	--	Not Used	16	--	--	Not Used
17	0.5 OG/BK	1134	Park Brake Switch Signal	17	0.5 OG/BK	1134	Park Brake Switch Signal
18	0.5 L-BU	223	Communication Enable Relay Supply Voltage	18	0.5 L-BU	223	Communication Enable Relay Supply Voltage
19	--	--	Not Used	19	--	--	Not Used
20	0.5 L-BU	115	Right Rear Speaker Output (-)	20	0.5 L-BU	115	Right Rear Speaker Output (-)
21	0.5 L-GN	115	Right Front Speaker Output (+)	21	0.5 L-GN	115	Right Front Speaker Output (+)
22	0.5 OG	200	Amplifier Mute Control	22	0.5 OG	200	Amplifier Mute Control
23	0.5 WH	6978	Amplifier Enable Signal	23	0.5 WH	6978	Amplifier Enable Signal
24	0.5 L-GN	1975	Right Front Speaker Output (-)	24	0.5 L-GN	1975	Right Front Speaker Output (-)
25	0.5 L-GN/WH	1875	Right Front Speaker Output (+)	25	0.5 L-GN/WH	1875	Right Front Speaker Output (+)
26	0.3 YE	391	Led Backlight Dimming Control	26	0.3 YE	391	Led Backlight Dimming Control
27	1.25 L-BU	17	Stop Lamp Supply Voltage	27	1.25 L-BU	17	Stop Lamp Supply Voltage
28	0.5 BK/BU	1540	Yaw Rate Low Reference	28	0.5 BK/BU	1540	Yaw Rate Low Reference
29	0.3 PK	2088	Driver Door Lock Switch Unlock Signal	29	0.3 PK	2088	Driver Door Lock Switch Unlock Signal
30	0.5 D-BU/WH	148	Courtesy Lamp Supply Voltage	30	0.5 D-BU/WH	148	Courtesy Lamp Supply Voltage
31	0.85 OG	149	Courtesy Lamps Supply Voltage	31	0.85 OG	149	Courtesy Lamps Supply Voltage
32	0.5 D-BU	1732	Right Rear Speaker Output (+)	32	0.5 D-BU	1732	Right Rear Speaker Output (+)
33	0.5 D-GN	46	Right Front Speaker Output (-)	33	0.5 D-GN	46	Right Front Speaker Output (-)
34	0.5 D-GN	117	Left Front Speaker Output (-)	34	0.5 D-GN	117	Left Front Speaker Output (-)
35	0.5 BN/OG	1947	Left Front Speaker Output (+)	35	0.5 BN/OG	1947	Left Front Speaker Output (+)
36	0.3 D-GN/WH	511	Fog Lamp Relay Control	36	0.3 D-GN/WH	511	Fog Lamp Relay Control
37	0.3 GY	8	Instrument Panel Lamp Supply Voltage	37	0.3 GY	8	Instrument Panel Lamp Supply Voltage
38	2 OG/BU	1317	Battery Positive Voltage	38	2 OG/BU	1317	Battery Positive Voltage

39	--	--	Not Used	39	--	--	Not Used
40	0.3 PK/BK	2514	Driver Door Lock Switch Lock Signal	40	0.3 PK/BK	2514	Driver Door Lock Switch Lock Signal
41	0.85 YE/BK	1334	Left Rear Turn Signal Lamp Supply Voltage	41	0.85 YE/BK	1334	Left Rear Turn Signal Lamp Supply Voltage
42	0.85 D-GN/WH	1335	Right Rear Turn Signal Lamp Supply Voltage	42	0.85 D-GN/WH	1335	Right Rear Turn Signal Lamp Supply Voltage
43	0.85 L-GN	24	Backup Lamp Supply Voltage	43	0.85 L-GN	24	Backup Lamp Supply Voltage

X202 I/P Harness to the Body Harness



Connector Part Information

- | OEM: 7283-1684
- | Service: See Catalog
- | Description: 38-Way F 040 III Series (WH)

Connector Part Information

- | OEM: 7282-1684
- | Service: See Catalog
- | Description: 38-Way M 040 III Series (WH)

Terminal Part Information

- | Pins: 1, 28
- | Terminal/Tray: 7116-4032/11
- | Core/Insulation Crimp: A/F
- | Release Tool/Test Probe: 12094430/J-35616-40 (BU)
- | Pins: 29, 38
- | Terminal/Tray: 7116-4032/11
- | Core/Insulation Crimp: 4/B
- | Release Tool/Test Probe: 12094430/J-35616-40 (BU)

Terminal Part Information

- | Pins: 1, 28,
- | Terminal/Tray: 7114-4032/11
- | Core/Insulation Crimp: A/G
- | Release Tool/Test Probe: 12094430/J-35616-41 (BU)
- | Pins: 29, 38,
- | Terminal/Tray: 7114-4032/11
- | Core/Insulation Crimp: 4/B
- | Release Tool/Test Probe: 12094430/J-35616-41 (BU)

| Pins: 2, 3, 8, 9, 14, 19, 30, 31, 36, 37
 | Terminal/Tray: 7116-4020/11
 | Core/Insulation Crimp: E/C
 | Release Tool/Test Probe: 15315247/J-35616-18 (BK)

| Pins: 2-5, 8, 9, 14, 19, 30, 31, 36, 37
 | Terminal/Tray: 7114-4020/10
 | Core/Insulation Crimp: E/C
 | Release Tool/Test Probe: 15315247/J-35616-19 (BK)

| Pins: 4, 5, 7, 16, 18, 20, 26, 27
 | Terminal/Tray: 7116-4021/11
 | Core/Insulation Crimp: E/A
 | Release Tool/Test Probe: 15315247/J-35616-18 (BK)

| Pins: 6, 17
 | Terminal/Tray: 7114-4031/11
 | Core/Insulation Crimp: C/A
 | Release Tool/Test Probe: 12094430/J-35616-41 (BU)

| Pins: 6, 17
 | Terminal/Tray: 7116-4031/11
 | Core/Insulation Crimp: C/A
 | Release Tool/Test Probe: 12094430/J-35616-40 (BU)

| Pins: 7, 16, 18, 20, 26, 27
 | Terminal/Tray: 7114-4021/10
 | Core/Insulation Crimp: 2/A
 | Release Tool/Test Probe: 15315247/J-35616-19 (BK)

| Pins: 10-13, 21-24, 34, 35
 | Terminal/Tray: 7116-4231-08/14
 | Core/Insulation Crimp: K/K
 | Release Tool/Test Probe: 15315247/J-35616-64B (L-BU)

| Pins: 10-13, 21-24, 34, 35
 | Terminal/Tray: 7114-4231-08/14
 | Core/Insulation Crimp: K/K
 | Release Tool/Test Probe: 15315247/J-35616-65B (L-BU)

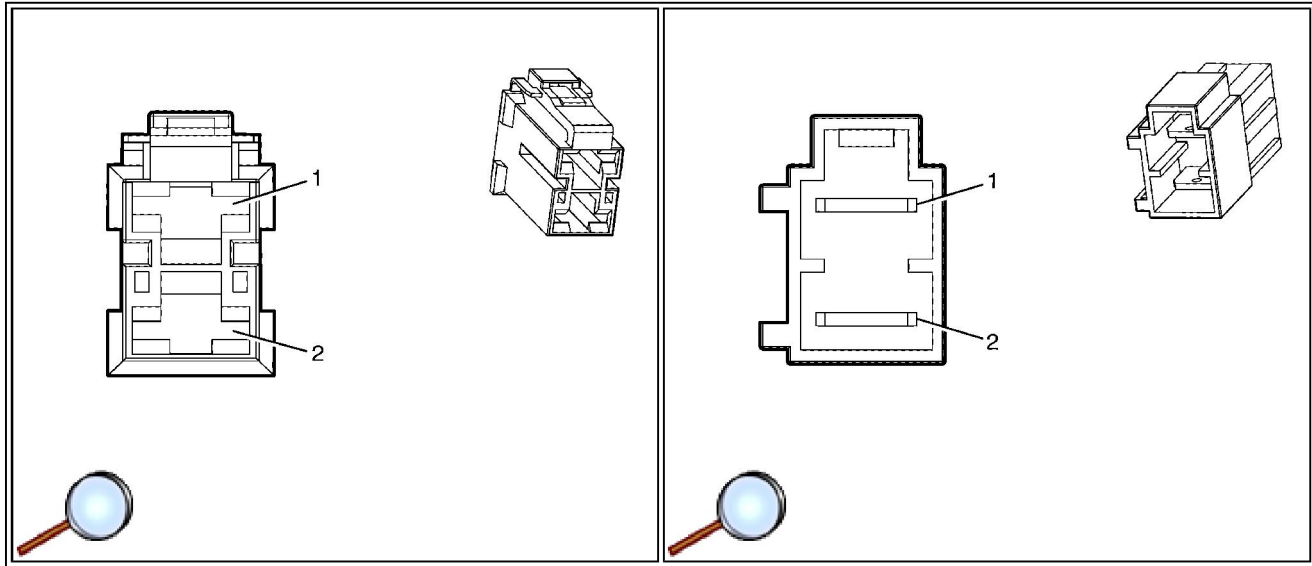
X202 I/P Harness to the Body Harness

Pin	Wire Color	Circuit No.	Function	Pin	Wire Color	Circuit No.	Function
1	3 OG/GN	2840	Battery Positive Voltage	1	3 OG/GN	2840	Battery Positive Voltage
2	0.5 BN	199	Left Rear Speaker Output (+)	2	0.5 BN	199	Left Rear Speaker Output (+)
3	0.5 YE/RD	116	Left Rear Speaker Output (-)	3	0.5 YE/RD	116	Left Rear Speaker Output (-)
4	0.5 BN	201	Left Front Speaker Output (+)	4	0.5 BN	201	Left Front Speaker Output (+)
5	0.5 GY	118	Left Front Speaker Output (-)	5	0.5 GY	118	Left Front Speaker Output (-)
	0.5 GY	118	Left Front Speaker Output (-)		0.5 GY	118	Left Front Speaker Output (-)
6	1.25 BN/WH	9301	Accessory Voltage	6	1.25 BN/WH	9301	Accessory Voltage
7	1.25 D-GN/WH	295	Door Lock Actuator Lock Control	7	1.25 D-GN/WH	295	Door Lock Actuator Lock Control
8	--	--	Not Used	8	--	--	Not Used
9	0.5 BN/BU	343	Accessory Voltage	9	0.5 BN/BU	343	Accessory Voltage
10	0.3 PK	5076	5-Volt Reference	10	0.3 PK	5076	5-Volt Reference
11	0.3 BN	5077	Low Reference	11	0.3 BN	5077	Low Reference
12	0.3	254	Power Door Unlock	12	0.3	254	Power Door Unlock

	BN/BK		Fuse Supply Voltage		BN/BK		Fuse Supply Voltage
13	0.5 BN/WH	746	Passenger Door Ajar Switch Control	13	0.5 BN/WH	746	Passenger Door Ajar Switch Control
14	0.3 OG/BU	2440	Battery Positive Voltage	14	0.3 OG/BU	2440	Battery Positive Voltage
15	0.5 OG/WH	2340	Battery Positive Voltage	15	0.5 OG/WH	2340	Battery Positive Voltage
16	1.25 BN/RD	294	Door Lock Actuator Unlock Control	16	1.25 BN/RD	294	Door Lock Actuator Unlock Control
17	1.25 BN/YE	143	Accessory Voltage	17	1.25 BN/YE	143	Accessory Voltage
18	1.25 OG/YE	4140	Battery Positive Voltage (KA1)	18	1.25 OG/YE	4140	Battery Positive Voltage (KA1)
19	--	--	Not Used	19	--	--	Not Used
20	0.85 BN/WH	56	Rear Compartment Lid Release Actuator	20	0.85 BN/WH	56	Rear Compartment Lid Release Actuator
21	0.3 WH/GN	5075	Battery Current Signal	21	0.3 WH/GN	5075	Battery Current Signal
22	--	--	Not Used	22	--	--	Not Used
23	0.5 OG/WH	1840	Battery Positive Voltage	23	0.5 OG/WH	1840	Battery Positive Voltage
24	0.3 BK	1850	Ground	24	0.3 BK	1850	Ground
25	0.85 OG/PU	2140	Battery Positive Voltage	25	0.85 OG/PU	2140	Battery Positive Voltage
26	0.85 OG/BU	4340	Battery Positive Voltage	26	0.85 OG/BU	4340	Battery Positive Voltage
27	--	--	Not Used	27	--	--	Not Used
28	3 GY	120	Fuel Pump Supply Voltage	28	3 GY	120	Fuel Pump Supply Voltage
29	2 OG	1140	Battery Positive Voltage	29	2 OG	1140	Battery Positive Voltage
30- 31	--	--	Not Used	30- 31	--	--	Not Used
32	0.3 BN	5852	Instrument Panel Lamp Supply Voltage	32	0.3 BN	5852	Instrument Panel Lamp Supply Voltage
33	0.3 GY	2555	Object Detection Disable Signal	33	0.3 GY	2555	Object Detection Disable Signal
34	0.35 D- GN	5060	Low Speed GMLAN Serial Data	34	0.35 D- GN	5060	Low Speed GMLAN Serial Data
35	0.3 GY/BK	255	Power Door Lock Fuse Supply Voltage	35	0.3 GY/BK	255	Power Door Lock Fuse Supply Voltage
36	0.5 D-GN	1301	Rap Fuse Supply Voltage	36	0.5 D-GN	1301	Rap Fuse Supply Voltage
37	0.5 OG/YE	1340	Battery Positive Voltage	37	0.5 OG/YE	1340	Battery Positive Voltage

38	2 D-GN	1001	Rap Fuse Supply Voltage	38	2 D-GN	1001	Rap Fuse Supply Voltage
----	--------	------	-------------------------	----	--------	------	-------------------------

X204 I/P Harness to the Front Body Harness



Connector Part Information

- | OEM: 7123-4125-50
- | Service: See Catalog
- | Description: 2-Way F (RD)

Terminal Part Information

- | Terminal/Tray: 7116-3250/10
- | Core/Insulation Crimp: G/3
- | Release Tool/Test Probe: 12094430/J-35616-22 (RD)

Connector Part Information

- | OEM: 7122-4125-50
- | Service: See Catalog
- | Description: 2-Way M 58 L-Type (RD)

Terminal Part Information

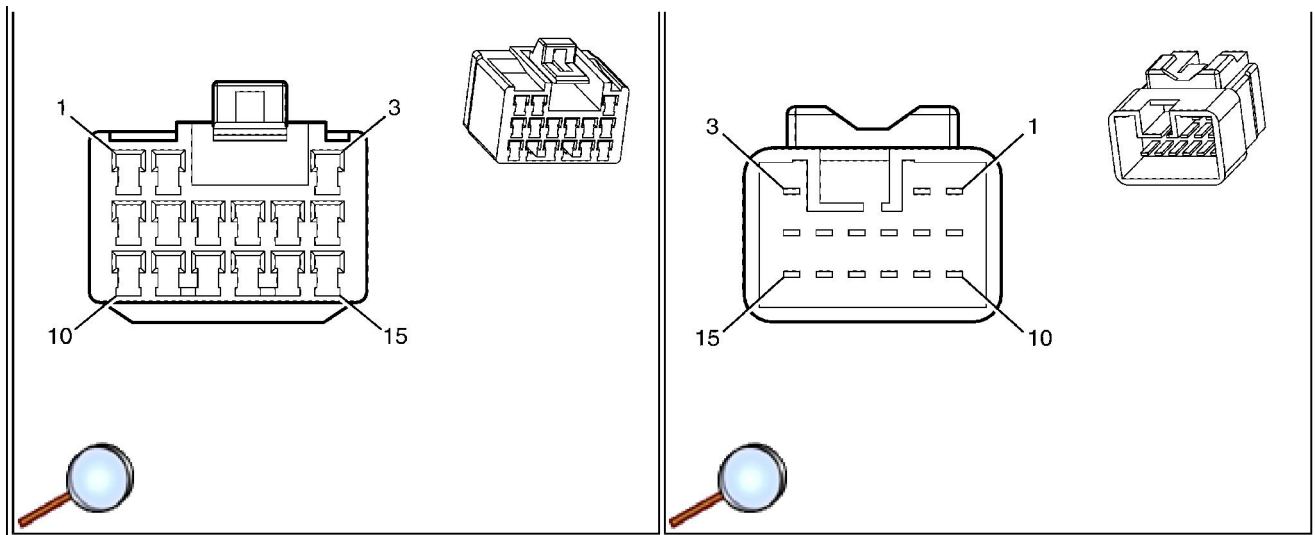
- | Terminal/Tray: 7114-3250/14
- | Core/Insulation Crimp: G/3
- | Release Tool/Test Probe: 12094430/J-35616-21 (RD)

X204 I/P Harness to the Front Body Harness

Pin	Wire Color	Circuit No.	Function	Pin	Wire Color	Circuit No.	Function
1	5 RD/WH	842	Battery Positive Voltage	1	5 RD/WH	842	Battery Positive Voltage
2	5 D-GN	442	Battery Positive Voltage	2	5 D-GN	442	Battery Positive Voltage

X205 Glove Box Assembly to the I/P Harness





Connector Part Information

- | OEM: 7283-1150
- | Service: See Catalog
- | Description: 15-Way F 090 II Series (WH)

Connector Part Information

- | OEM: 7282-1150
- | Service: See Catalog
- | Description: 15-way M (WH)

Terminal Part Information

- | Terminal/Tray: See Terminal Repair Kit
- | Core/Insulation Crimp: See Terminal Repair Kit
- | Release Tool/Test Probe: See Terminal Repair Kit

Terminal Part Information

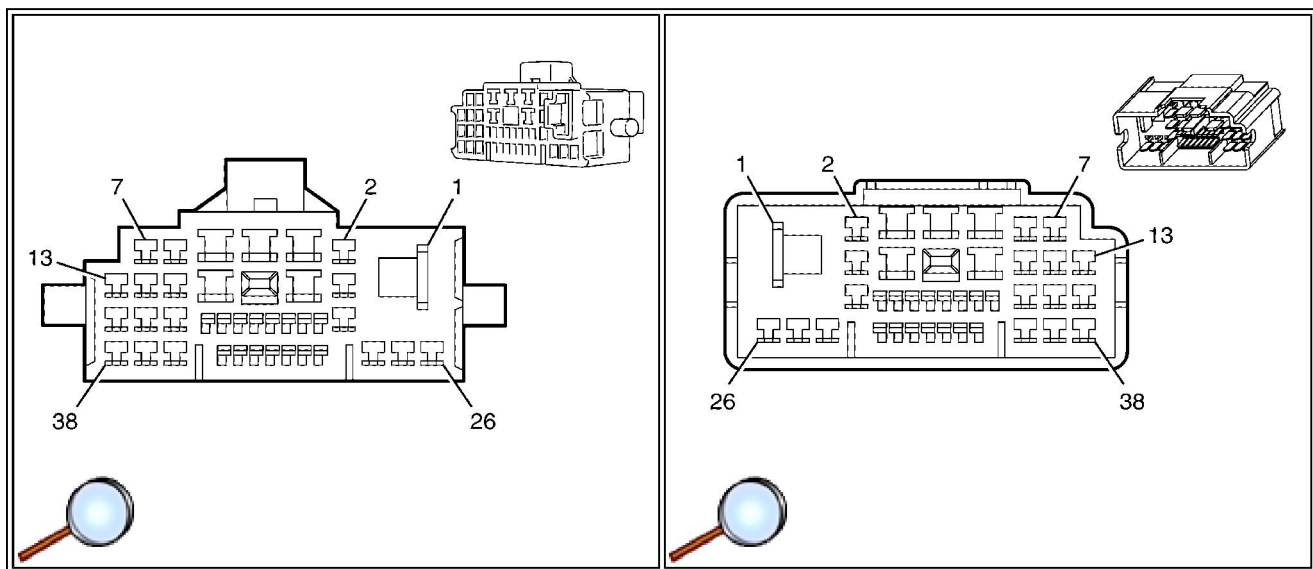
- | Pin: 3
- | Terminal/Tray: 7114-4021/10
- | Core/Insulation Crimp: E/A
- | Release Tool/Test Probe: 15315247/J-35616-19 (BK)
- | Pin: 6
- | Terminal/Tray: 7114-4020/10
- | Core/Insulation Crimp: E/C
- | Release Tool/Test Probe: 15315247/J-35616-19 (BK)

X205 Glove Box Assembly to the I/P Harness

Pin	Wire Color	Circuit No.	Function	Pin	Wire Color	Circuit No.	Function
1	0.85 OG	9353	Courtesy Lamps Supply Voltage	1	0.85 OG	9353	Courtesy Lamps Supply Voltage
2	--	--	Not Used	2	--	--	Not Used
3	0.85 BK/WH	1450	Ground	3	0.85 BK	1450	Ground
4-5	--	--	Not Used	4-5	--	--	Not Used
6	0.3 D-BU	9345	Rear Compartment Lid Release Switch	6	0.3 D-BU	9345	Rear Compartment Lid Release Switch
7-9	--	--	Not Used	7-9	--	--	Not Used
10	0.5	2340	Battery Positive	10	0.5	2340	Battery Positive

	OG/WH		Voltage		OG/WH		Voltage
11	0.5 BK/WH	1050	Ground	11	0.5 BK	1050	Ground
12	0.5 L-GN	5060	Low Speed GMLAN Serial Data	12	0.5 D-GN	5060	Low Speed GMLAN Serial Data
13	0.3 PK/BK	2062	Navigation Mono Audio Signal (+)	13	0.3 PK/BK	2062	Navigation Mono Audio Signal (+)
14	0.3 OG/BK	2061	Navigation Mono Audio Signal (-)	14	0.3 OG/BK	2061	Navigation Mono Audio Signal (-)
15	--	--	Not Used	15	--	--	Not Used

X206 Front Body Harness to the Body Harness



Connector Part Information

- | OEM: 7283-1683
- | Service: See Catalog
- | Description: 38-Way F (WH)

Connector Part Information

- | OEM: 7282-1683
- | Service: See Catalog
- | Description: 38-Way M (WH)

Terminal Part Information

- | Pin: 1
- | Terminal/Tray: 7116-3251/10
- | Core/Insulation Crimp: F/3
- | Release Tool/Test Probe: 12094430/J-35616-22 (RD)

- | Pin: 3
- | Terminal/Tray: 7116-4031/11
- | Core/Insulation Crimp: C/A
- | Release Tool/Test Probe: 12094430/J-35616-40 (BU)

Terminal Part Information

- | Pin: 1
- | Terminal/Tray: 7114-3251/14
- | Core/Insulation Crimp: F/3
- | Release Tool/Test Probe: 12094430/J-35616-21 (RD)

- | Pin: 3
- | Terminal/Tray: 7114-4031/11
- | Core/Insulation Crimp: C/A
- | Release Tool/Test Probe: 12094430/J-35616-41 (BU)

- | Pin: 5
- | Terminal/Tray: 7116-4031/11
- | Core/Insulation Crimp: C/E/A
- | Release Tool/Test Probe: 12094430/J-35616-40 (BU)

- | Pin: 5
- | Terminal/Tray: 7114-4031/11
- | Core/Insulation Crimp: E/A
- | Release Tool/Test Probe: 12094430/J-35616-41 (BU)

- | Pins: 6, 13, 23-25, 36-38
- | Terminal/Tray: 7116-4020/11
- | Core/Insulation Crimp: E/C
- | Release Tool/Test Probe: 15315247/J-35616-18 (BK)

- | Pins: 6, 13, 23-25, 36-38
- | Terminal/Tray: 7114-4020/10
- | Core/Insulation Crimp: E/C
- | Release Tool/Test Probe: 15315247/J-35616-19 (BK)

- | Pins: 7, 12, 28
- | Terminal/Tray: 7116-4021/11
- | Core/Insulation Crimp: E/A
- | Release Tool/Test Probe: 15315247/J-35616-18 (BK)

- | Pins: 7, 12, 28
- | Terminal/Tray: 7114-4021/10
- | Core/Insulation Crimp: E/A
- | Release Tool/Test Probe: 15315247/J-35616-19 (BK)

- | Pins: 16-22, 31-35
- | Terminal/Tray: 7116-4231-08/14
- | Core/Insulation Crimp: E/C
- | Release Tool/Test Probe: 15315247/J-35616-64B (L-BU)

- | Pins: 16-18, 20-22, 31-35
- | Terminal/Tray: 7114-4231-08/14
- | Core/Insulation Crimp: E/C
- | Release Tool/Test Probe: 15315247/J-35616-65B (L-BU)

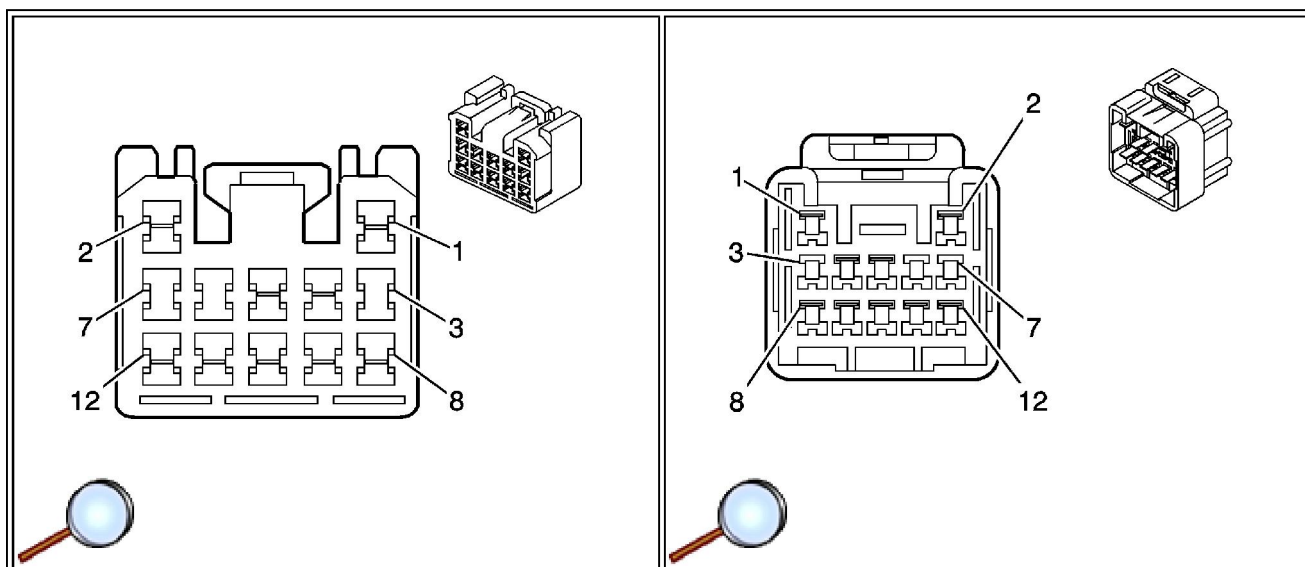
X206 Front Body Harness to the Body Harness

Pin	Wire Color	Circuit No.	Function	Pin	Wire Color	Circuit No.	Function
1	3 PU	293	Rear Defog Element Supply Voltage	1	3 PU	293	Rear Defog Element Supply Voltage
2	0.3 BN	6581	Object Sensor Supply Voltage	2	0.3 BN	6581	Object Sensor Supply Voltage
3	0.85 L-GN	24	Backup Lamp Supply Voltage	3	0.85 L-GN	24	Backup Lamp Supply Voltage
4	--	--	Not Used	4-5	--	--	Not Used
6	0.3 L-BU	1937	Fuel Level Sensor	6	0.3 L-BU	1937	Fuel Level Sensor
7	0.85 BN/WH	309	Lamp Supply Voltage	7	0.85 BN/WH	309	Lamp Supply Voltage
8-11	0.3 OG/BK	5214	Object Sensor Low Reference	8	0.3 OG/BK	5214	Object Sensor Low Reference
8-11	--	--	Not Used	9-10	--	--	Not Used
8-11	0.3 OG/BK	5208	Headlamp Leveling Sensor Wire 2	11	0.3 OG/BK	5208	Headlamp Leveling Sensor Wire 2
12	0.85 PU	709	Left Park Lamp Supply Voltage	12	0.85 PU	709	Left Park Lamp Supply Voltage
13	0.5 PK/BU	339	Ignition 1 Voltage	13	0.5 PK/BU	339	Ignition 1 Voltage
14-15	0.3 PU/WH	5218	RF Middle Object Sensor Signal	14	0.3 PU/WH	5218	RF Middle Object Sensor Signal

14-15	0.3 BN/WH	5217	RF Corner Object Sensor Signal	15	0.3 BN/WH	5217	RF Corner Object Sensor Signal
16	--	--	Not Used	16	--	--	Not Used
17	0.5 BN/BK	884	Left Rear Wheel Speed Sensor Signal	17	0.5 BN/BK	884	Left Rear Wheel Speed Sensor Signal
18	0.5 GY	7128	Wheel Speed Sensor Supply Voltage Right Rear	18	0.5 GY	7128	Wheel Speed Sensor Supply Voltage Right Rear
19	0.3 BN/YE	452	Low Reference	19	0.3 BN/YE	452	Low Reference
20	0.3 GY	5600	Discriminating Sensor - Low Reference	20	0.3 GY	5600	Discriminating Sensor - Low Reference
21	0.3 YE	354	Discriminating Sensor - Signal	21	0.3 YE	354	Discriminating Sensor - Signal
22	0.3 D-GN/WH	1317	Fog Lamp Relay Control	22	0.3 D-GN/WH	1317	Fog Lamp Relay Control
23	0.5 BN/WH	2086	Yaw Rate Sensor Test Control	23	0.5 BN/WH	2086	Yaw Rate Sensor Test Control
24	--	--	Not Used	24-25	--	--	Not Used
26-27	0.3 L-GN/WH	5210	Headlamp Leveling Sensor Wire 3	26	0.3 L-GN/WH	5210	Headlamp Leveling Sensor Wire 3
26-27	0.3 L-GN/BK	5209	Headlamp Leveling Sensor Wire 1	27	0.3 L-GN/BK	5209	Headlamp Leveling Sensor Wire 1
28	0.85 OG/BK	540	Battery Positive Voltage	28	0.85 OG/BK	540	Battery Positive Voltage
29-30	0.3 WH	5216	LF Middle Object Sensor Signal	29	0.3 WH	5216	LF Middle Object Sensor Signal
29-30	0.3 PU/WH	5215	LF Corner Object Sensor Signal	30	0.3 PU/WH	5215	LF Corner Object Sensor Signal
31	0.5 GY	7127	Wheel Speed Sensor Supply Voltage Left Rear	31	0.5 GY	7127	Wheel Speed Sensor Supply Voltage Left Rear
32	0.5 BN	882	Right Rear Wheel Speed Sensor Signal	32	0.5 BN	882	Right Rear Wheel Speed Sensor Signal
33	0.3 PU	1589	Fuel Level Sensor Signal (Primary)	33	0.3 PU	1589	Fuel Level Sensor Signal (Primary)
34	0.3 D-GN	1409	Discriminating Sensor - Signal	34	0.3 D-GN	1409	Discriminating Sensor - Signal
35	0.3 BN/YE	5045	Discriminating Sensor - Low Reference	35	0.3 BN/YE	5045	Discriminating Sensor - Low Reference
36	0.5 D-GN	2087	Steering Wheel Position Sensor 5-V Reference	36	0.5 D-GN	2087	Steering Wheel Position Sensor 5-V Reference
37	0.5 L-GN/BK	5352	Yaw Rate Sensor Test Control	37	0.5 L-GN/BK	5352	Yaw Rate Sensor Test Control
38	0.5	1699	Combined Vehicle	38	0.5	1699	Combined Vehicle

PU/WH	Inertial Sensor Signal	PU/WH	Inertial Sensor Signal
-------	------------------------	-------	------------------------

X207 I/P Harness to the Body Harness



Connector Part Information

- | OEM: 7283-4325
- | Service: See Catalog
- | Description: 12-Way F (WH)

Terminal Part Information

- | Terminal/Tray: 7116-4020/11
- | Core/Insulation Crimp: E/C
- | Release Tool/Test Probe: 15315247/J-35616-18 (BK)

Connector Part Information

- | OEM: 7282-4325
- | Service: See Catalog
- | Description: 12-Way M (WH)

Terminal Part Information

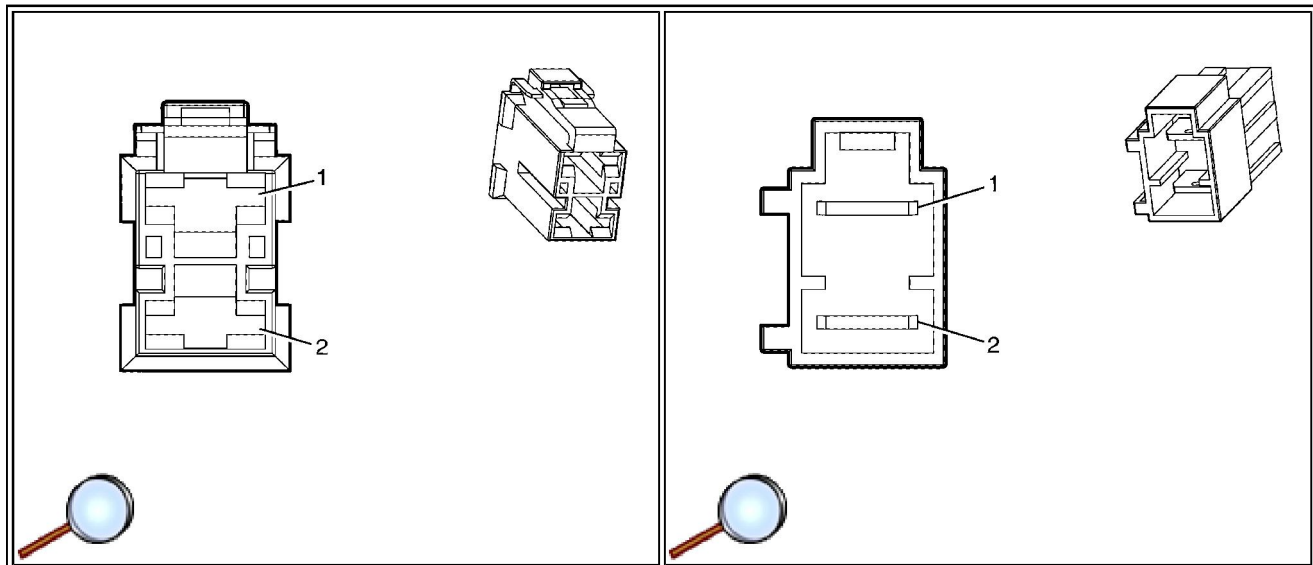
- | Terminal/Tray: 7114-4020/10
- | Core/Insulation Crimp: E/C
- | Release Tool/Test Probe: 15315247/J-35616-19 (BK)

X207 I/P Harness to the Body Harness

Pin	Wire Color	Circuit No.	Function	Pin	Wire Color	Circuit No.	Function
1	0.5 OG/WH	2340	Battery Positive Voltage	1	0.5 OG/WH	2340	Battery Positive Voltage
2	0.5 PK/BU	1339	Ignition 1 Voltage (KA1)	2	0.5 PK/BU	1339	Ignition 1 Voltage (KA1)
3	--	--	Not Used	3	--	--	Not Used
4	0.35 D-GN	5060	Low Speed GMLAN Serial Data	4	0.35 D-GN	5060	Low Speed GMLAN Serial Data
5	0.5 BK	1050	Ground	5	0.5 BK	1050	Ground
6-7	--	--	Not Used	6-7	--	--	Not Used
8	0.5 BN	372	Remote Radio Audio Output (-)	8	0.5 BN	372	Remote Radio Audio Output (-)
			Left Radio Audio				Left Radio Audio

9	0.5 D-GN	7007	Output	9	0.5 D-GN	7007	Output
10	0.35 BK	1573	Battery Positive Voltage	10	0.35 BK	1573	Battery Positive Voltage
11	0.5 GY	388	Remote Radio Right Audio Signal	11	0.5 GY	388	Remote Radio Right Audio Signal
12	0.5 GY	7008	Right Radio Audio Output	12	0.5 GY	7008	Right Radio Audio Output

X208



Connector Part Information

- | OEM:
- | Service: See Catalog
- | Description: 2-Way F

Terminal Part Information

- | Terminal/Tray: See Terminal Repair Kit
- | Core/Insulation Crimp: See Terminal Repair Kit
- | Release Tool/Test Probe: See Terminal Repair Kit

Connector Part Information

- | OEM:
- | Service: See Catalog
- | Description: 2-Way M

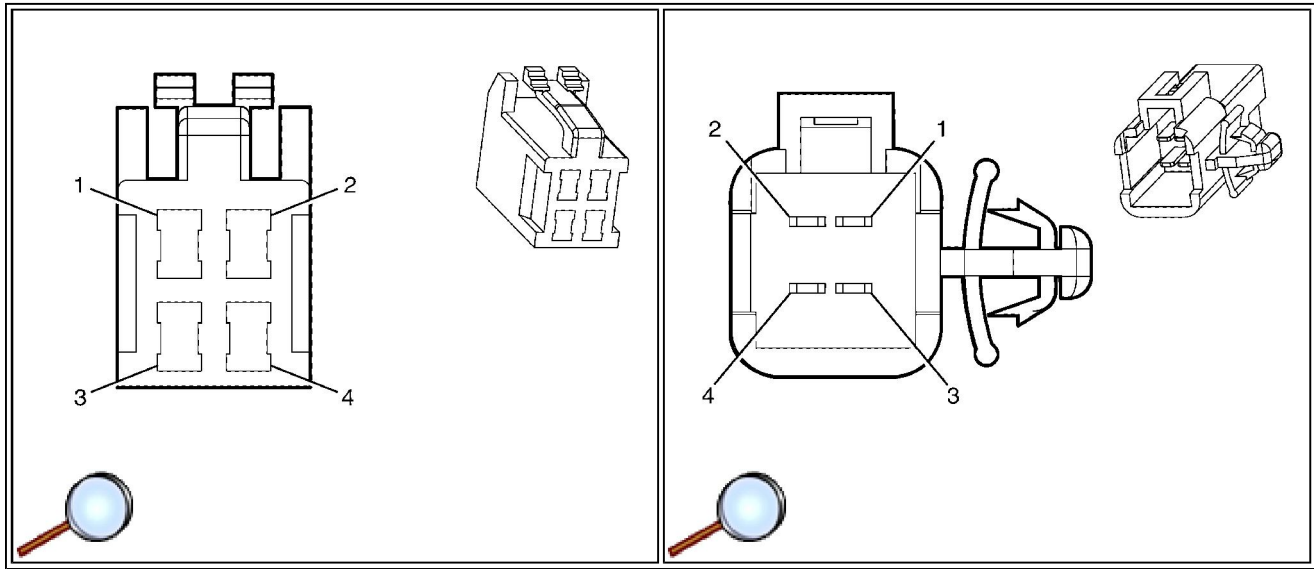
Terminal Part Information

- | Terminal/Tray: See Terminal Repair Kit
- | Core/Insulation Crimp: See Terminal Repair Kit
- | Release Tool/Test Probe : See Terminal Repair Kit

X208

Pin	Wire Color	Circuit No.	Function	Pin	Wire Color	Circuit No.	Function
1	5 RD/YE		Battery Positive Voltage	1	5 RD/YE		Battery Positive Voltage
2	2 RD/BU		Battery Positive Voltage	2	2 RD/BU		Battery Positive Voltage

X210 Rear Body Harness to the Rear Latch Assembly Harness



Connector Part Information

- | OEM: 7283-7040-10
- | Service: See Catalog
- | Description: 4-Way F

Terminal Part Information

- | Terminal/Tray: See Terminal Repair Kit
- | Core/Insulation Crimp: See Terminal Repair Kit
- | Release Tool/Test Probe: See Terminal Repair Kit

Connector Part Information

- | OEM: 7282-7040-10
- | Service: See Catalog
- | Description: 4-Way M

Terminal Part Information

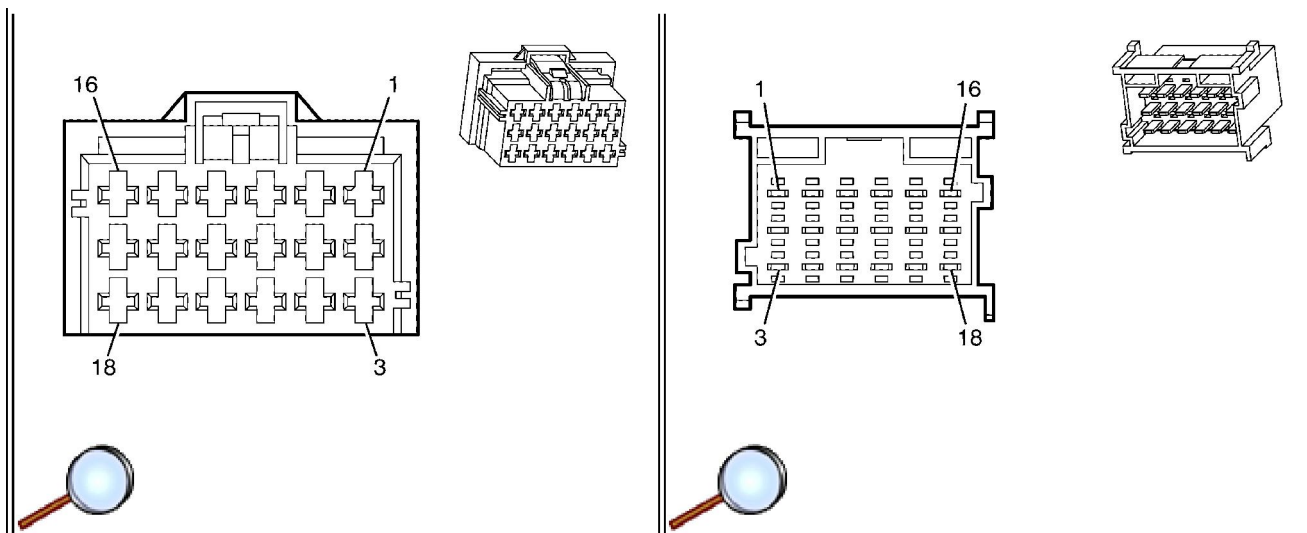
- | Terminal/Tray: See Terminal Repair Kit
- | Core/Insulation Crimp: See Terminal Repair Kit
- | Release Tool/Test Probe: See Terminal Repair Kit

X210 Rear Body Harness to the Rear Latch Assembly Harness

Pin	Wire Color	Circuit No.	Function	Pin	Wire Color	Circuit No.	Function
1	0.5 OG/BK	744	Park/Neutral Signal	1	0.5 OG/BK	744	Park/Neutral Signal
2	0.5 BK	737	Ignition 1 Voltage	2	0.5 BK	737	Ignition 1 Voltage
3	0.5 BN/WH	56	Cruise Control Disable Clutch Switch Signal	3	0.5 BN/WH	56	Cruise Control Disable Clutch Switch Signal
4	0.5 PK/BU	1350	Ground	4	0.5 PK/BU	1350	Ground

X212 Headliner Harness to the I/P Harness

--	--



Connector Part Information

- | OEM: 7183-9840-40
- | Service: See Catalog
- | Description: 18-Way F (GY)

Terminal Part Information

- | Terminal/Tray: See Terminal Repair Kit
- | Core/Insulation Crimp: See Terminal Repair Kit
- | Release Tool/Test Probe: See Terminal Repair Kit

Connector Part Information

- | OEM: 7182-9840-40
- | Service: See Catalog
- | Description: 18-Way M (GY)

Terminal Part Information

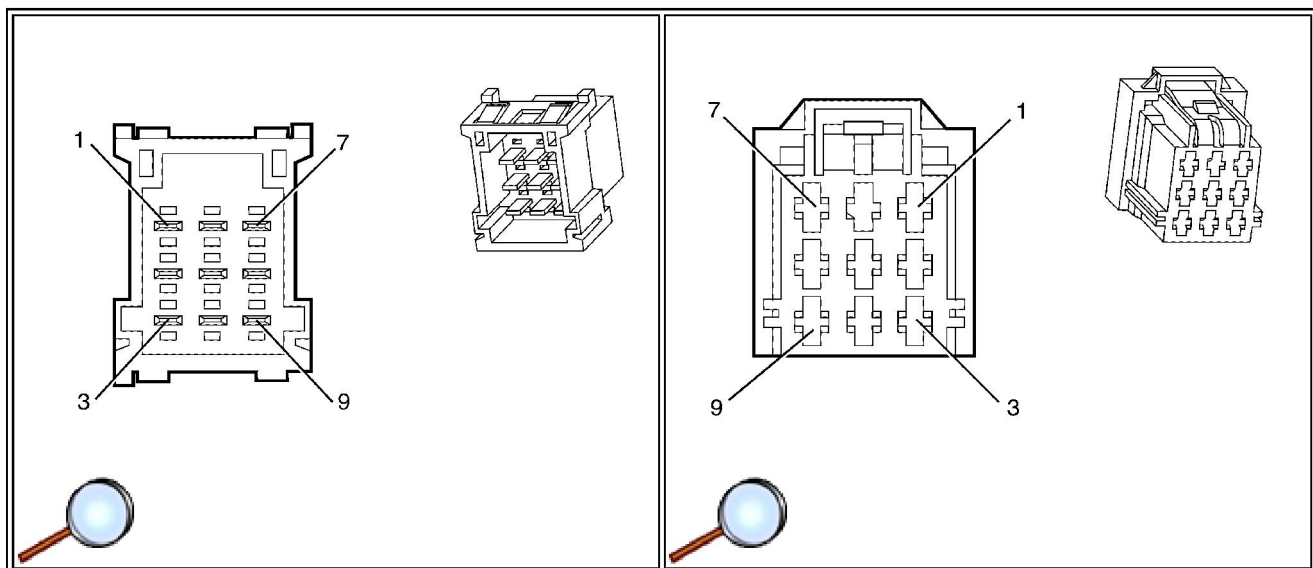
- | Terminal/Tray: See Terminal Repair Kit
- | Core/Insulation Crimp: See Terminal Repair Kit
- | Release Tool/Test Probe: See Terminal Repair Kit

X212 Headliner Harness to the I/P Harness

Pin	Wire Color	Circuit No.	Function	Pin	Wire Color	Circuit No.	Function
1	0.3 BN	481	Outside Moisture Sensor Signal 1	1	0.3 BN	481	Outside Moisture Sensor Signal 1
2	0.3 L-GN	482	Outside Moisture Sensor Signal 2	2	0.3 L-GN	482	Outside Moisture Sensor Signal 2
3	0.3 GY/BK	7043	Microphone Signal	3	0.3 D-BU	7043	Microphone Signal
4	0.5 L-BU	20	Stop Lamp Supply Voltage	4	0.5 L-BU	20	Stop Lamp Supply Voltage
5	0.3 WH/RD	6821	Surv SW	5	0.3 WH/RD	6821	Surv SW
6	0.3 PK/BK	7044	Microphone Return	6	0.3 PK/BK	7044	Microphone Return
7	0.3 PU	328	Interior Lamp Switch Signal	7	0.3 PU	328	Interior Lamp Switch Signal
8	0.3 PK/BK	1597	Courtesy Lamps Switch On Signal	8	0.3 PK/BK	1597	Courtesy Lamps Switch On Signal
			LED Backlight				LED Backlight

9	0.3 YE	6817	Dimming Control	9	0.3 YE	6817	Dimming Control
10	0.5 D-BU/WH	149	Courtesy Lamp Supply Voltage	10	0.5 D-BU/WH	149	Courtesy Lamp Supply Voltage
11	1.25 BK	850	Ground	11	1.25 BK	850	Ground
12	1.25 OG/BU	3040	Battery Positive Voltage	12	1.25 OG/BU	3040	Battery Positive Voltage
13	0.5 OG	1732	Courtesy Lamps Supply Voltage	13	0.5 OG	1732	Courtesy Lamps Supply Voltage
14	1.25 BK/WH	851	Ground	14	1.25 BK	851	Ground
15	0.5 BN	443	Accessory Voltage	15	0.5 BN	443	Accessory Voltage
16	0.5 OG/WH	1840	Battery Positive Voltage	16	0.5 OG/WH	1840	Battery Positive Voltage
17-18	--	--	Not Used	17-18	--	--	Not Used

X213 Headliner Harness to the Instrument Panel Harness



Connector Part Information

- | OEM: 6-968971-1
- | Service: See Catalog
- | Description: 9-Way F

Terminal Part Information

- | Terminal/Tray: See Terminal Repair Kit
- | Core/Insulation Crimp: See Terminal Repair Kit
- | Release Tool/Test Probe: See Terminal Repair Kit

Connector Part Information

- | OEM: 3-967626-1
- | Service: See Catalog
- | Description: 9-Way M

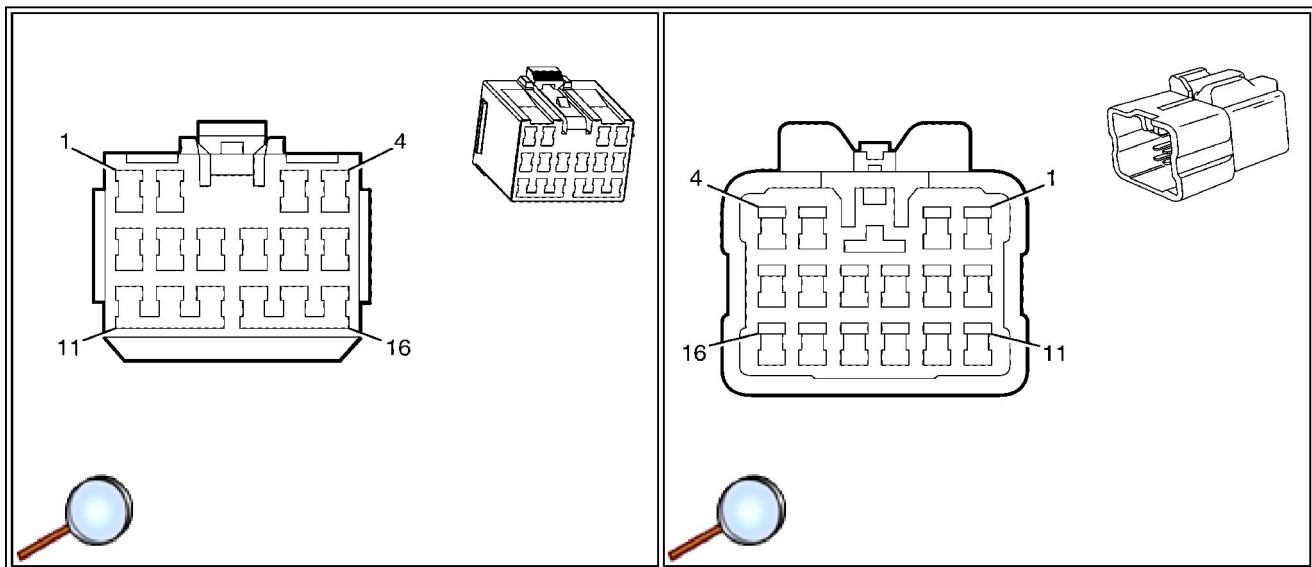
Terminal Part Information

- | Terminal/Tray: See Terminal Repair Kit
- | Core/Insulation Crimp: See Terminal Repair Kit
- | Release Tool/Test Probe: See Terminal Repair Kit

X213 Headliner Harness to the Instrument Panel Harness

Pin	Wire Color	Circuit No.	Function	Pin	Wire Color	Circuit No.	Function
1	0.3 PK	367	Left Audio Signal (+)	1	0.3 PK	367	Left Audio Signal (+)
2	0.3 D-GN/WH	1547	Common Audio Signal (-)	2	0.3 D-GN/WH	1547	Common Audio Signal (-)
3	0.3 D-GN	5060	Low Speed GMLAN Serial Data	3	0.3 D-GN	5060	Low Speed GMLAN Serial Data
4	0.3 D-BU	368	Right Audio Signal (+)	4	0.3 D-BU	368	Right Audio Signal (+)
5	--	--	Not Used	5	--	--	Not Used
6	0.5 OG/YE	4540	Battery Positive Voltage	6	0.5 OG/YE	4540	Battery Positive Voltage
7	2 BK	1050	Ground	7	2 BK	1050	Ground
8	0.3 RD	5334	DVD Video Signal (+)	8	0.3 RD	5334	DVD Video Signal (+)
9	0.3 WH/BK	5335	DVD Video Signal (-)	9	0.3 WH/BK	5335	DVD Video Signal (-)

X218 Body Harness to the Body Harness



Connector Part Information

- | OEM: 7283-1160
- | Service: See Catalog
- | Description: 16-Way F

Terminal Part Information

- | Terminal/Tray: See Terminal Repair Kit
- | Core/Insulation Crimp: See Terminal

Connector Part Information

- | OEM: 7282-1160
- | Service: See Catalog
- | Description: 16-Way M

Terminal Part Information

- | Terminal/Tray: See Terminal Repair Kit
- | Core/Insulation Crimp: See Terminal

Repair Kit

Release Tool/Test Probe: See Terminal
Repair Kit

Repair Kit

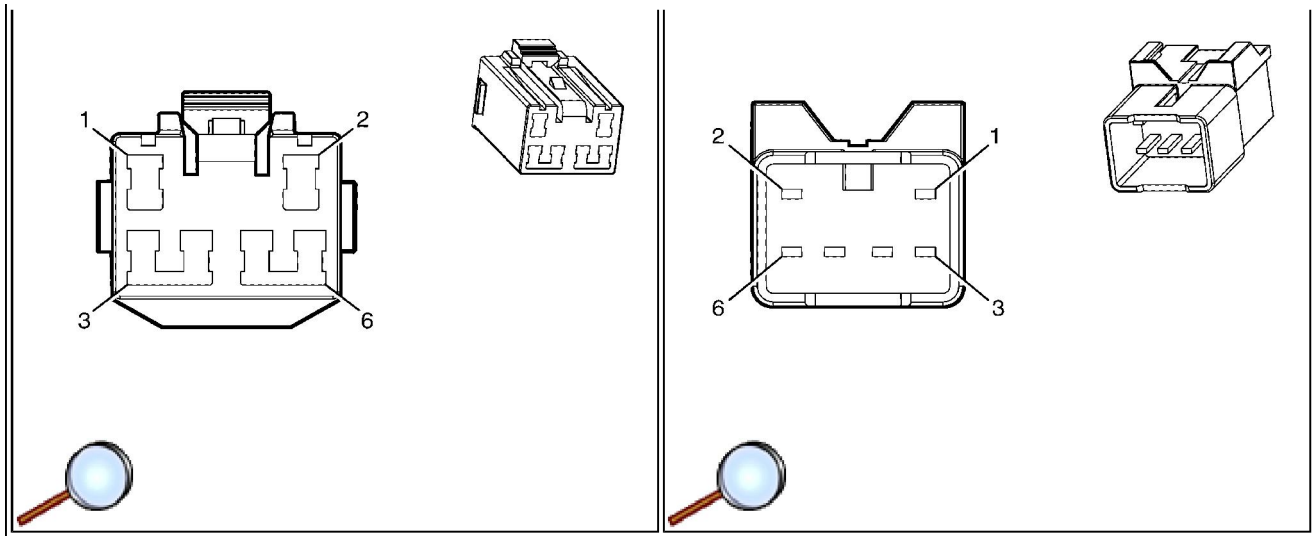
Release Tool/Test Probe: See Terminal
Repair Kit

X218 Body Harness to the Body Harness

Pin	Wire Color	Circuit No.	Function	Pin	Wire Color	Circuit No.	Function
1	0.85 L-GN	200	Right Front Speaker Output (+)	1	0.85 L-GN	200	Right Front Speaker Output (+)
2	0.85 D-GN	117	Right Front Speaker Output (-)	2	0.85 D-GN	117	Right Front Speaker Output (-)
3	0.5 D-BU	546	Right Rear Speaker Output (+)	3	0.5 D-BU	546	Right Rear Speaker Output (+)
4	0.5 BN/BU	1946	Right Rear Speaker Output (-)	4	0.5 BN/BU	1946	Right Rear Speaker Output (-)
5	0.85 L-BU	1960	Front Centre Speaker Output (-)	5	0.85 L-BU	1960	Front Centre Speaker Output (-)
6	0.85 YE	1860	Front Centre Speaker Output (+)	6	0.85 YE	1860	Front Centre Speaker Output (+)
7	0.5 L-GN/WH	512	Right Front Speaker Output (+)	7	0.5 L-GN/WH	512	Right Front Speaker Output (+)
8	0.5 L-GN	1948	Right Front Speaker Output (-)	8	0.5 L-GN	1948	Right Front Speaker Output (-)
9	0.85 L-BU	115	Right Rear Speaker Output (-)	9	0.85 L-BU	115	Right Rear Speaker Output (-)
10	0.85 D-BU	46	Right Rear Speaker Output (+)	10	0.85 D-BU	46	Right Rear Speaker Output (+)
11	0.5 OG/BK		Roof Centre Speaker Output (-)	11	0.5 OG/BK		Roof Centre Speaker Output (-)
12	0.5 OG		Roof Centre Speaker Output (+)	12	0.5 OG		Roof Centre Speaker Output (+)
13	0.5 BN	1999	Left Rear Speaker Output (-)	13	0.5 BN	1999	Left Rear Speaker Output (-)
14	0.5 BN/WH	599	Left Rear Speaker Output (+)	14	0.5 BN/WH	599	Left Rear Speaker Output (+)
15	0.5 D-GN	1947	Left Front Speaker Output (-)	15	0.5 D-GN	1947	Left Front Speaker Output (-)
16	0.5 BN/OG	511	Left Front Speaker Output (+)	16	0.5 BN/OG	511	Left Front Speaker Output (+)

X220 I/P Harness to the Body Harness (LHD)

--	--



Connector Part Information

- | OEM: 7283-7166
- | Service: See Catalog
- | Description: 6-Way F (WH)

Terminal Part Information

- | Terminal/Tray: 7116-4020/11
- | Core/Insulation Crimp: E/C
- | Release Tool/Test Probe: 15315247/J-35616-18 (BK)

Connector Part Information

- | OEM: 7282-1060
- | Service: See Catalog
- | Description: 6-Way M 090 II Series (WH)

Terminal Part Information

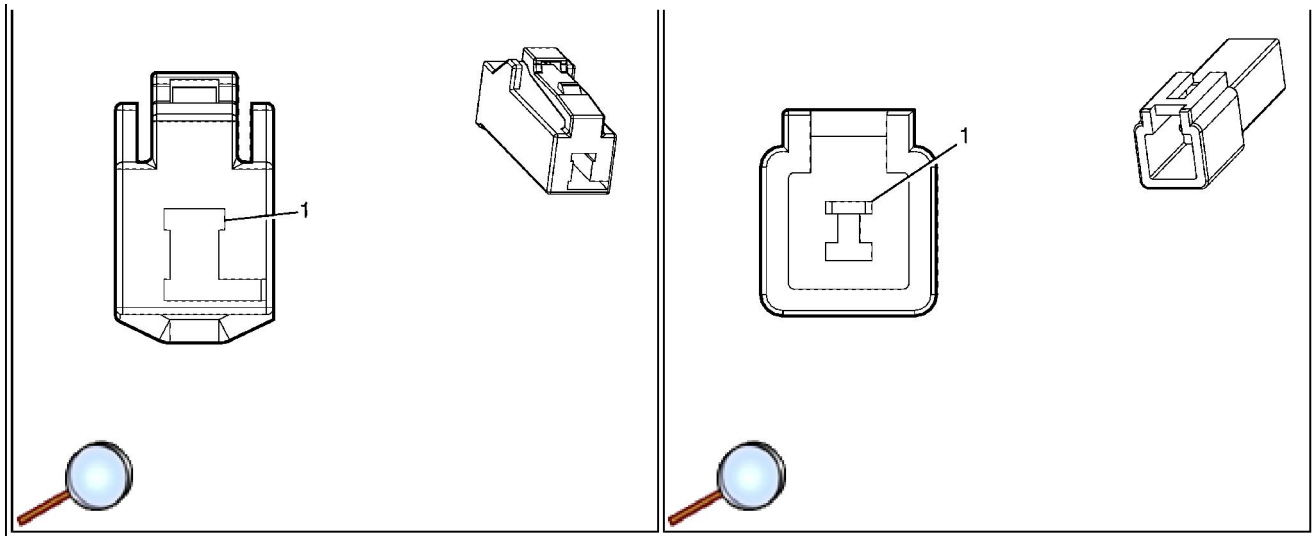
- | Terminal/Tray: 7114-4020/10
- | Core/Insulation Crimp: E/C
- | Release Tool/Test Probe: 15315247/J-35616-19 (BK)

X220 I/P Harness to the Body Harness (LHD)

Pin	Wire Color	Circuit No.	Function	Pin	Wire Color	Circuit No.	Function
1	--	--	Not Used	1	--	--	Not Used
2	0.5 OG/BK	233	Park Brake Switch Signal	2	0.5 OG/BK	233	Park Brake Switch Signal
3	0.5 PK/BK	780	Driver Door Lock Switch Lock Signal	3	0.5 PK/BK	780	Driver Door Lock Switch Lock Signal
4	0.3 PK	781	Driver Door Lock Switch Unlock Signal	4	0.3 PK	781	Driver Door Lock Switch Unlock Signal
5	--	--	Not Used	5	--	--	Not Used
6	0.3 GY/BK	745	Left Front Door Ajar Switch Signal	6	0.3 GY/BK	745	Left Front Door Ajar Switch Signal

X223 I/P Harness to the Console Ground

--	--



Connector Part Information

- | OEM: 7283-7014
- | Service: See Catalog
- | Description: 1-Way F (BK)

Terminal Part Information

- | Terminal/Tray: 7116-4022/11
- | Core/Insulation Crimp: 4/A
- | Release Tool/Test Probe: 15315247/J-35616-18 (BK)

Connector Part Information

- | OEM: 7282-7014
- | Service: See Catalog
- | Description: 1-Way M (WH)

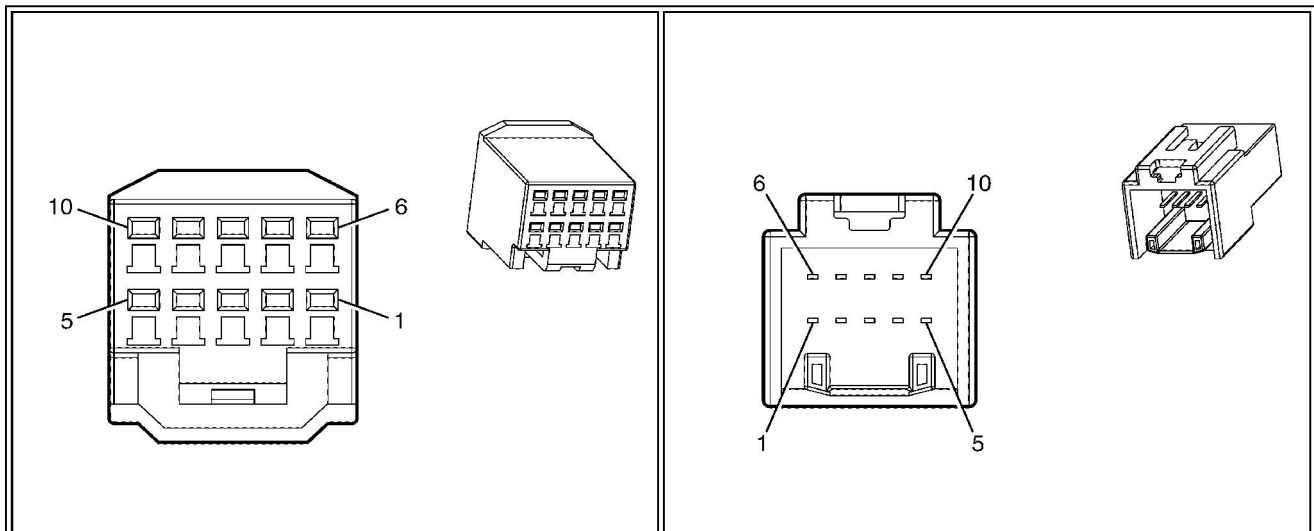
Terminal Part Information

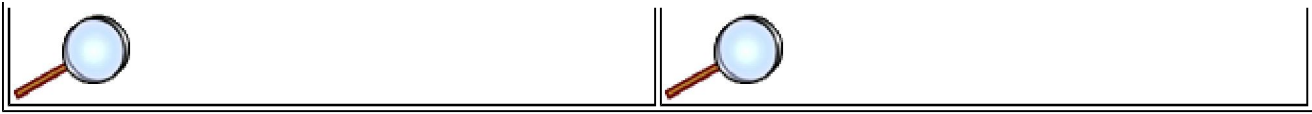
- | Terminal/Tray: See Terminal Repair Kit
- | Core/Insulation Crimp: See Terminal Repair Kit
- | Release Tool/Test Probe: See Terminal Repair Kit

X223 I/P Harness to the Console Ground

Pin	Wire Color	Circuit No.	Function	Pin	Wire Color	Circuit No.	Function
1	2 BK	1050	Ground	1	2 BK	1050	Ground

X225





Connector Part Information

- | OEM:
- | Service: See Catalog
- | Description: 10-Way F

Terminal Part Information

- | Terminal/Tray: See Terminal Repair Kit
- | Core/Insulation Crimp: See Terminal Repair Kit
- | Release Tool/Test Probe: See Terminal Repair Kit

Connector Part Information

- | OEM:
- | Service: See Catalog
- | Description: 10-Way M

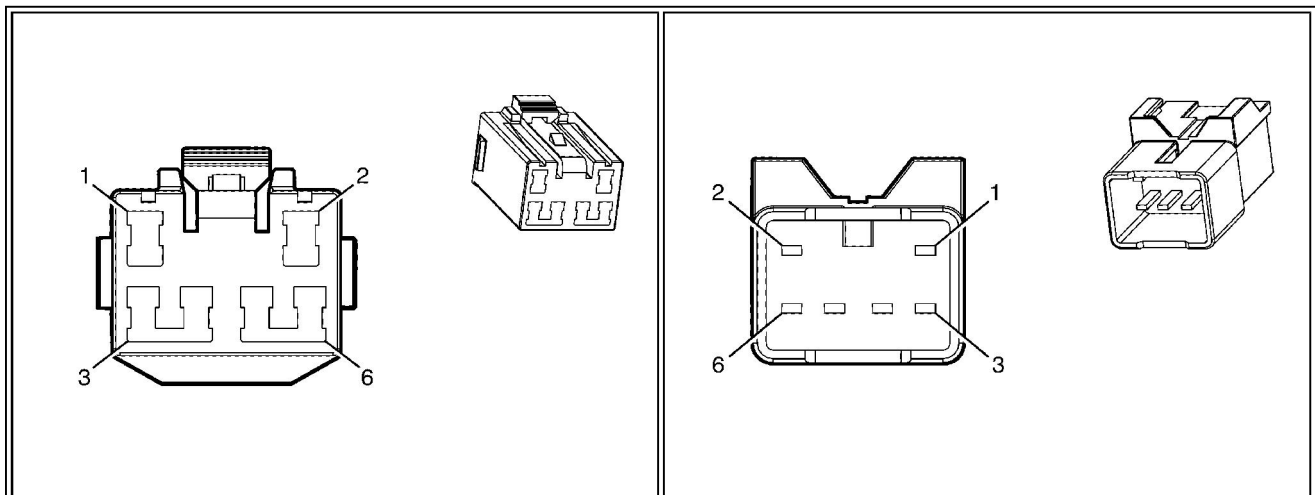
Terminal Part Information

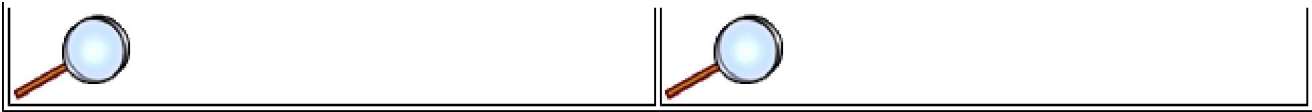
- | Terminal/Tray: See Terminal Repair Kit
- | Core/Insulation Crimp: See Terminal Repair Kit
- | Release Tool/Test Probe: See Terminal Repair Kit

X225

Pin	Wire Color	Circuit No.	Function	Pin	Wire Color	Circuit No.	Function
1	0.3 RD		Video Connector - R	1	0.3 RD		Video Connector - R
2	0.3 D-GN		Video Connector - G	2	0.3 D-GN		Video Connector - G
3	0.3 WH		Video Connector - B	3	0.3 WH		Video Connector - B
4	0.3 BK		Ground	4	0.3 BK		Ground
5	0.3 YE		Video Connector - Sync	5	0.3 YE		Video Connector - Sync
6	0.3 BK		Drain Wire	6	0.3 BK		Drain Wire
7-10	--	--	Not Used	7-10	--	--	Not Used

X226 Gauge Assembly to the I/P Harness (HSV)





Connector Part Information

- | OEM: 7283-1060
- | Service: See Catalog
- | Description: 6-Way F

Terminal Part Information

- | Terminal/Tray: See Terminal Repair Kit
- | Core/Insulation Crimp: See Terminal Repair Kit
- | Release Tool/Test Probe: See Terminal Repair Kit

Connector Part Information

- | OEM: 7282-1060
- | Service: See Catalog
- | Description: 6-Way M

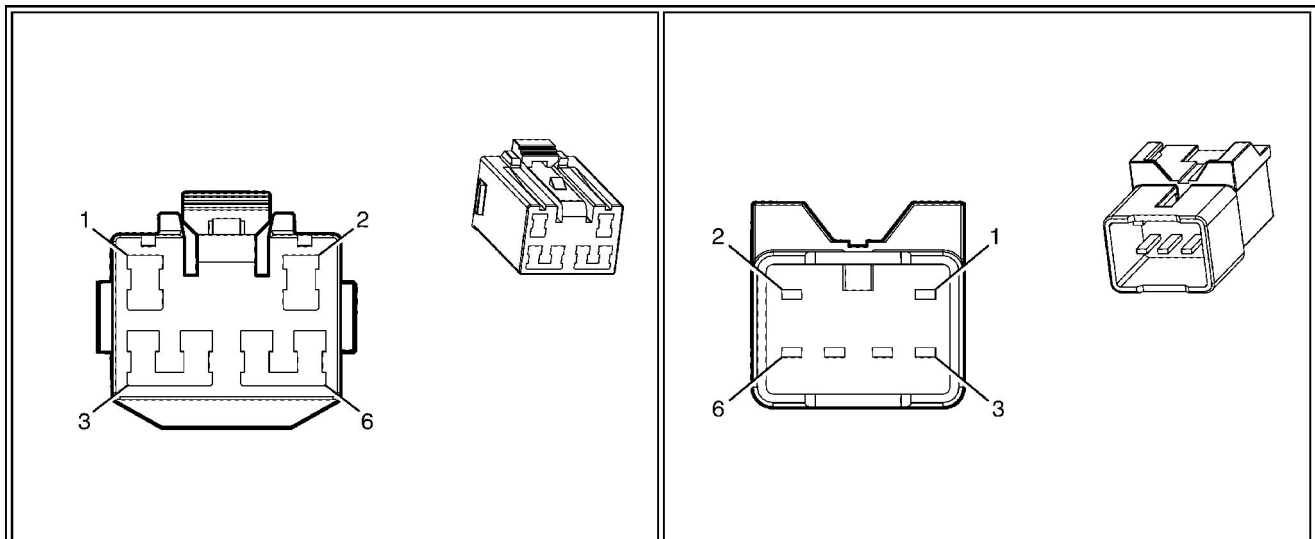
Terminal Part Information

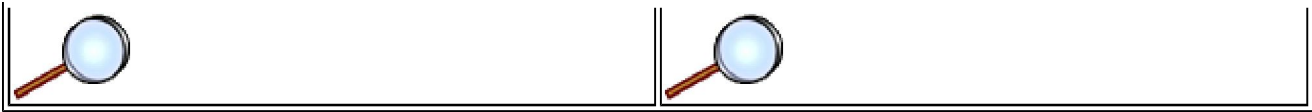
- | Terminal/Tray: See Terminal Repair Kit
- | Core/Insulation Crimp: See Terminal Repair Kit
- | Release Tool/Test Probe: See Terminal Repair Kit

X226 Gauge Assembly to the I/P Harness (HSV)

Pin	Wire Color	Circuit No.	Function	Pin	Wire Color	Circuit No.	Function
1	0.5 L-BU/WH	5986	Communication Enable Relay Supply Voltage	1	0.5 L-BU/WH	5986	Communication Enable Relay Supply Voltage
2	0.3 YE	1080	LED Backlight Dimming Control	2	0.3 YE	1080	LED Backlight Dimming Control
3	0.5 PK/BU	1339	Ignition 1 Voltage	3	0.5 PK/BU	1339	Ignition 1 Voltage
4	0.5 BK	1450	Ground	4	0.5 BK	1450	Ground
5	0.5 BN/BK	2500	High Speed GMLAN Serial Data Bus+	5	0.5 BN/BK	2500	High Speed GMLAN Serial Data Bus+
6	0.5 BN	2501	High Speed GMLAN Serial Data Bus-	6	0.5 BN	2501	High Speed GMLAN Serial Data Bus-

X227 Steering Angle Sensor Assembly to the I/P Harness





Connector Part Information

- | OEM: 7283-1060
- | Service: See Catalog
- | Description: 6-Way F 090 II Series (WH)

Terminal Part Information

- | Terminal/Tray: See Terminal Repair Kit
- | Core/Insulation Crimp: See Terminal Repair Kit
- | Release Tool/Test Probe: See Terminal Repair Kit

Connector Part Information

- | OEM: 7282-1060
- | Service: See Catalog
- | Description: 6-Way M (WH)

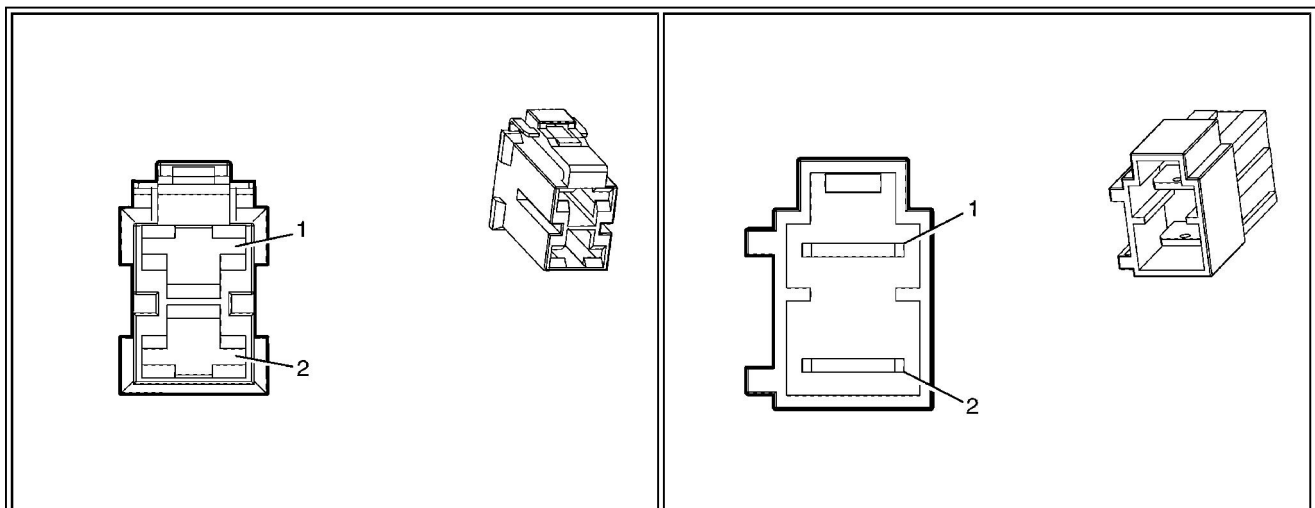
Terminal Part Information

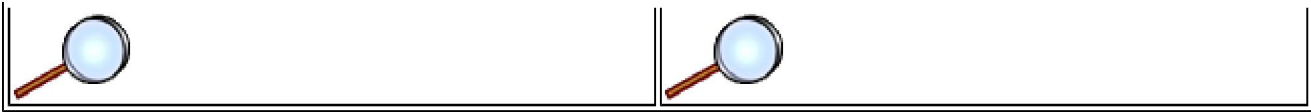
- | Terminal/Tray: See Terminal Repair Kit
- | Core/Insulation Crimp: See Terminal Repair Kit
- | Release Tool/Test Probe: See Terminal Repair Kit

X227 Steering Angle Sensor Assembly to the I/P Harness

Pin	Wire Color	Circuit No.	Function	Pin	Wire Color	Circuit No.	Function
1	0.35 PU	2501	High Speed Gmlan Serial Data Bus -	1	0.35 BN	2501	High Speed Gmlan Serial Data Bus -
2	0.35 D-BU	2501	High Speed Gmlan Serial Data Bus -	2	0.35 BN	2501	High Speed Gmlan Serial Data Bus -
3	0.35 GY	2500	High Speed Gmlan Serial Data Bus +	3	0.35 BN/BK	2500	High Speed Gmlan Serial Data Bus +
4	0.35 BN/BK	2500	High Speed Gmlan Serial Data Bus +	4	0.35 BN/BK	2500	High Speed Gmlan Serial Data Bus +
5	0.5 L-GN	5986	Communication Enable Relay Supply Voltage	5	0.5 L-BU	5986	Communication Enable Relay Supply Voltage
6	0.5 OG	2088	Steering Wheel Position Sensor Low Reference	6	0.5 BK/BU	2088	Steering Wheel Position Sensor Low Reference

X228 I/P Harness to the I/P Harness





Connector Part Information

- | OEM: 7123-4123-30
- | Service: 88953301
- | Description: 2-Way F L Type (BK)

Terminal Part Information

- | Terminal/Tray: 7116-3250/10
- | Core/Insulation Crimp: G/3
- | Release Tool/Test Probe: 12094430/J-35616-22 (RD)

Connector Part Information

- | OEM: 7122-4123-30
- | Service: See Catalog
- | Description: 2-Way M 58 L-Type (BK)

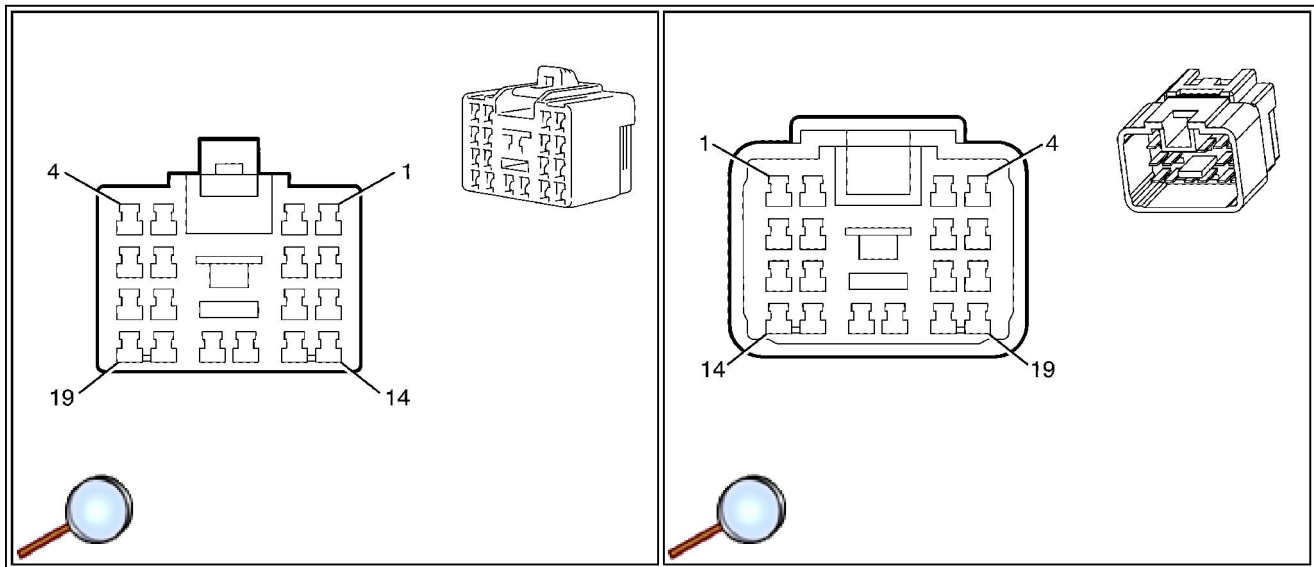
Terminal Part Information

- | Terminal/Tray: 7114-3250/14
- | Core/Insulation Crimp: G/3
- | Release Tool/Test Probe: 12094430/J-35616-21 (RD)

X228 I/P Harness to the I/P Harness

Pin	Wire Color	Circuit No.	Function	Pin	Wire Color	Circuit No.	Function
1	5 RD	9370	Battery Positive Voltage	1	5 RD	242	Battery Positive Voltage
2	5 RD/BK	9371	Battery Positive Voltage	2	5 RD/BK	642	Battery Positive Voltage

X229 I/P Harness to the I/P Harness



Connector Part Information

- | OEM: 7283-1194
- | Service: See Catalog
- | Description: 19-Way F 090 II Series (WH)

Connector Part Information

- | OEM: 7282-1194
- | Service: See Catalog
- | Description: 19-Way M 090 II Series (WH)

Terminal Part Information

- | Pins: 1, 3, 6, 8, 17-19
- | Terminal/Tray: 7116-4020/11
- | Core/Insulation Crimp: E/C
- | Release Tool/Test Probe: 15315247/J-35616-18 (BK)

- | Pin: 4
- | Terminal/Tray: 7116-4021/11
- | Core/Insulation Crimp: E/A
- | Release Tool/Test Probe: 15315247/J-35616-18 (BK)

- | Pin: 9
- | Terminal/Tray: 7116-4021/11
- | Core/Insulation Crimp: 2/A
- | Release Tool/Test Probe: 15315247/J-35616-18 (BK)

Terminal Part Information

- | Pins: 1, 3, 6, 8, 17-19
- | Terminal/Tray: 7114-4020/10
- | Core/Insulation Crimp: E/C
- | Release Tool/Test Probe: 15315247/J-35616-19 (BK)

- | Pin: 4
- | Terminal/Tray: 7114-4021/10
- | Core/Insulation Crimp: E/A
- | Release Tool/Test Probe: 15315247/J-35616-19 (BK)

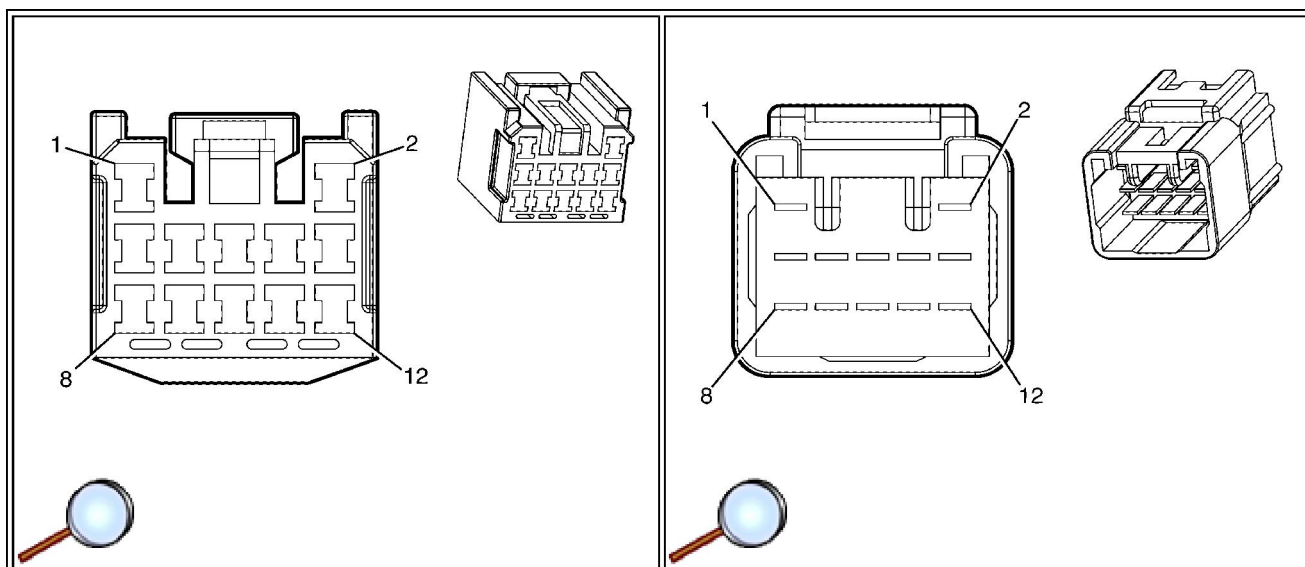
- | Pin: 9
- | Terminal/Tray: 7114-4021/10
- | Core/Insulation Crimp: 2/A
- | Release Tool/Test Probe: 15315247/J-35616-19 (BK)

X229 I/P Harness to the I/P Harness

Pin	Wire Color	Circuit No.	Function	Pin	Wire Color	Circuit No.	Function
1	0.85 OG	1732	Courtesy Lamps Supply Voltage	1	0.85 OG	1732	Courtesy Lamps Supply Voltage
2	0.5 D-GN	7392	A/C Compressor Supply Voltage	2	0.5 D-GN	7392	A/C Compressor Supply Voltage
3	0.75 OG/GN	2240	Battery Positive Voltage	3	0.75 OG/GN	2240	Battery Positive Voltage
4	0.3 D-BU	6189	Rear Compartment Relay Switch	4	0.3 D-BU	6189	Rear Compartment Relay Switch
5	1.25 BN/RD	694	Driver Door Lock Actuator Unlock Control	5	1.25 BN/RD	694	Driver Door Lock Actuator Unlock Control
6	0.5 D-BU	7393	AC Compressor Low Reference	6	0.5 D-BU	7393	AC Compressor Low Reference
7	2 OG/BU	1540	Battery Positive Voltage	7	2 OG/BU	1540	Battery Positive Voltage
8	0.3 WH/BU	193	Rear Defog Relay Control	8	0.3 WH/BU	193	Rear Defog Relay Control
9	0.3 L-BU	5921	Driver Door/Fuel Door Unlock Control	9	0.3 L-BU	5921	Driver Door/Fuel Door Unlock Control
10	0.3 D-BU/WH	195	Door Lock Relay Control	10	0.3 D-BU/WH	195	Door Lock Relay Control
11	--	--	Not Used	11	--	--	Not Used
12	0.3 WH	194	Door Unlock Control	12	0.3 WH	194	Door Unlock Control
13	--	--	Not Used	13	--	--	Not Used
14	0.85 OG/BU	1240	Battery Positive Voltage	14	0.85 OG/BU	1240	Battery Positive Voltage

15	0.3 L-GN/BK	735	Ambient Air Temperature Sensor Signal	15	0.3 L-GN/BK	735	Ambient Air Temperature Sensor Signal
16	0.85 OG/YE	1640	Battery Positive Voltage	16	0.85 OG/YE	1640	Battery Positive Voltage
17	1.25 OG	240	Battery Positive Voltage	17	1.25 OG	240	Battery Positive Voltage
18	0.85 D-BU/WH	149	Courtesy Lamp Supply Voltage	18	0.85 D-BU/WH	149	Courtesy Lamp Supply Voltage
19	--	--	Not Used	19	--	--	Not Used

X236 Electronic Suspension Assembly to the Body Harness (HSV)



Connector Part Information

- | OEM: 7283-4325
- | Service: See Catalog
- | Description: 12-Way F

Terminal Part Information

- | Terminal/Tray: See Terminal Repair Kit
- | Core/Insulation Crimp: See Terminal Repair Kit
- | Release Tool/Test Probe: See Terminal Repair Kit

Connector Part Information

- | OEM: 7282-4325
- | Service: See Catalog
- | Description: 12-Way M

Terminal Part Information

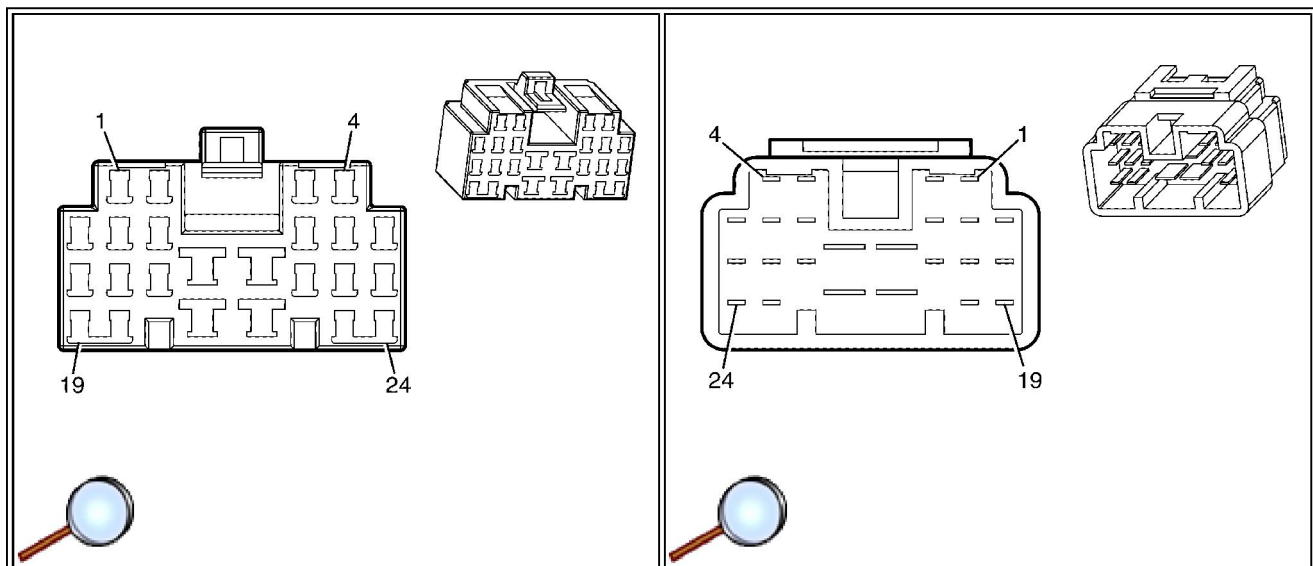
- | Terminal/Tray: See Terminal Repair Kit
- | Core/Insulation Crimp: See Terminal Repair Kit
- | Release Tool/Test Probe: See Terminal Repair Kit

X236 Electronic Suspension Assembly to the Body Harness (HSV)

Pin	Wire Color	Circuit No.	Function	Pin	Wire Color	Circuit No.	Function
1	0.35 GY	1209	Left Rear Suspension Position Sensor Signal	1	0.35 GY	1209	Left Rear Suspension Position Sensor Signal
			Left Rear Suspension				Left Rear Suspension

2	0.35 GY/WH	1208	Position Sensor Voltage Reference	2	0.35 GY/WH	1208	Position Sensor Voltage Reference
3	0.35 BN	1216	Right Rear Suspension Position Sensor Signal	3	0.35 BN	1216	Right Rear Suspension Position Sensor Signal
4	0.35 BN/WH	1214	Right Rear Suspension Position Sensor Voltage Reference	4	0.35 BN/WH	1214	Right Rear Suspension Position Sensor Voltage Reference
5	0.75 WH/RD	1114	Left Rear Damper Control	5	0.75 WH/RD	1114	Left Rear Damper Control
6	0.75 WH/BK	1115	Left Rear Damper Low Reference	6	0.75 WH/BK	1115	Left Rear Damper Low Reference
7	0.35 GY/BK	1209	Left Rear Suspension Position Sensor Low Reference	7	0.35 GY/BK	1209	Left Rear Suspension Position Sensor Low Reference
8-9	--	--	Not Used	8-9	--	--	Not Used
10	0.75 L- GN/RD	1118	Right Rear Damper Control	10	0.75 L- GN/RD	1118	Right Rear Damper Control
11	0.75 L- GN/BK	1119	Right Rear Damper Low Reference	11	0.75 L- GN/BK	1119	Right Rear Damper Low Reference
12	0.35 BN/BK	1215	Right Rear Suspension Position Sensor Low Reference	12	0.35 BN/BK	1215	Right Rear Suspension Position Sensor Low Reference

X237 Electronic Suspension Assembly to the I/P Harness (HSV)



Connector Part Information

- | OEM: 7283-1248
- | Service: See Catalog
- | Description: 24-Way F

Connector Part Information

- | OEM: 7282-1248
- | Service: See Catalog
- | Description: 24-Way M

Terminal Part Information

Terminal Part Information

| Terminal/Tray: See Terminal Repair Kit
 | Core/Insulation Crimp: See Terminal Repair Kit
 | Release Tool/Test Probe: See Terminal Repair Kit

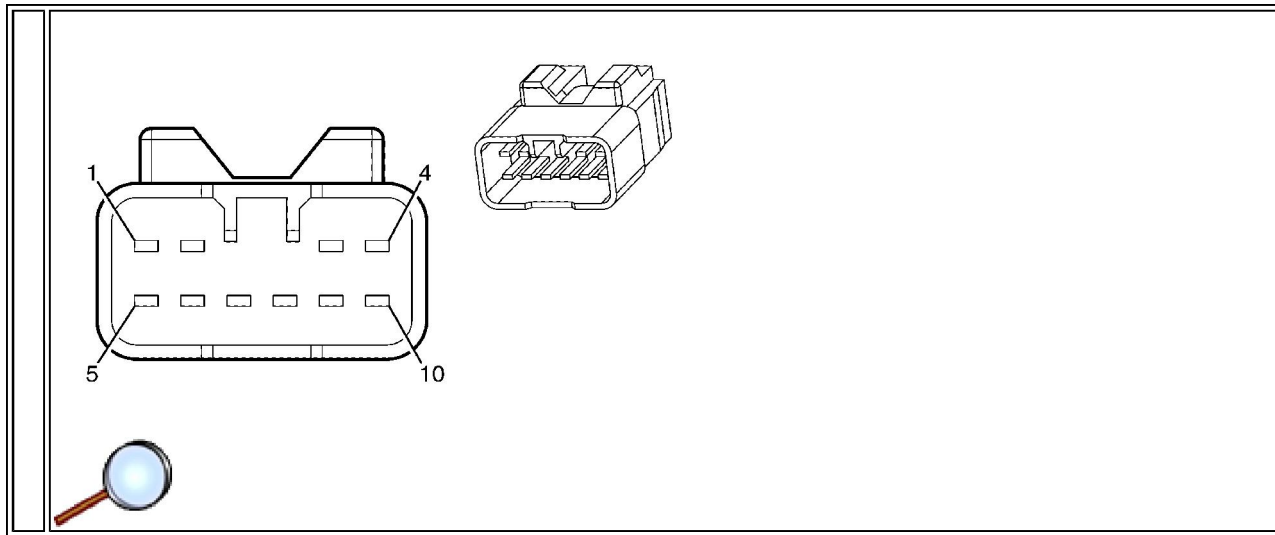
| Terminal/Tray: See Terminal Repair Kit
 | Core/Insulation Crimp: See Terminal Repair Kit
 | Release Tool/Test Probe: See Terminal Repair Kit

X237 Electronic Suspension Assembly to the I/P Harness (HSV)

Pin	Wire Color	Circuit No.	Function	Pin	Wire Color	Circuit No.	Function
1	0.5 L-BU	5986	Communication Enable Relay Supply Voltage	1	0.5 L-BU	5986	Communication Enable Relay Supply Voltage
2	0.5 BN	2501	High Speed GMLAN Serial Data Bus-	2	0.5 BN	2501	High Speed GMLAN Serial Data Bus-
3	0.5 BN/BK	2500	High Speed GMLAN Serial Data Bus+	3	0.5 BN/BK	2500	High Speed GMLAN Serial Data Bus+
4	0.5 YE/RD	1384	Electronic Suspension Control Switch Signal	4	0.5 YE/RD	1384	Electronic Suspension Control Switch Signal
5-6	--	--	Not Used	5-6	--	--	Not Used
7	0.5 BN	2501	High Speed GMLAN Serial Data Bus-	7	0.5 BN	2501	High Speed GMLAN Serial Data Bus-
8	0.5 BN/BK	2500	High Speed GMLAN Serial Data Bus+	8	0.5 BN/BK	2500	High Speed GMLAN Serial Data Bus+
9	0.5 YE/BK	370	Module Signal Error	9	0.5 YE/BK	370	Module Signal Error
10	0.5 YE/GN	1437	Firm LED Supply Voltage	10	0.5 YE/GN	1437	Firm LED Supply Voltage
11	0.3 D-GN/BK	1212	Right Front Suspension Position Sensor Low Reference	11	0.3 D-GN/BK	1212	Right Front Suspension Position Sensor Low Reference
12	0.3 D-GN	1213	Right Front Suspension Position Sensor Signal	12	0.3 D-GN	1213	Right Front Suspension Position Sensor Signal
13	0.3 D-GN/WH	1211	Right Front Suspension Position Sensor Voltage Reference	13	0.3 D-GN/WH	1211	Right Front Suspension Position Sensor Voltage Reference
14	2 RD/BU	2640	Battery Positive Voltage	14	2 RD/BU	2640	Battery Positive Voltage
15	2 BK	850	Ground	15	2 BK	850	Ground
16	0.3 D-BU/BK	1206	Left Front Suspension Position Sensor Low Reference	16	0.3 D-BU/BK	1206	Left Front Suspension Position Sensor Low Reference
17	0.3 D-BU	1207	Left Front Suspension Position Sensor Signal	17	0.3 D-BU	1207	Left Front Suspension Position Sensor Signal
18	0.3 D-BU/WH	1205	Left Front Suspension Position Sensor Voltage Reference	18	0.3 D-BU/WH	1205	Left Front Suspension Position Sensor Voltage Reference
			Right Front Damper				Right Front Damper

19	0.75 PU	1116	Control	19	0.75 PU	1116	Control
20	0.75 PU/WH	1117	Right Front Damper Low Reference	20	0.75 PU/WH	1117	Right Front Damper Low Reference
21-22	--	--	Not Used	21-22	--	--	Not Used
23	0.75 PK	1107	Left Front Damper Control	23	0.75 PK	1107	Left Front Damper Control
24	0.75 PK/BK	1113	Left Front Damper Low Reference	24	0.75 PK/BK	1113	Left Front Damper Low Reference

X238 Indicator Assembly to the I/P Harness (HSV)



Connector Part Information

- | OEM: 7283-1100
- | Service: See Catalog
- | Description: 10-Way F

Terminal Part Information

- | Terminal/Tray: See Terminal Repair Kit
- | Core/Insulation Crimp: See Terminal Repair Kit
- | Release Tool/Test Probe: See Terminal Repair Kit

Connector Part Information

- | OEM: 7282-1100
- | Service: See Catalog
- | Description: 10-Way M

Terminal Part Information

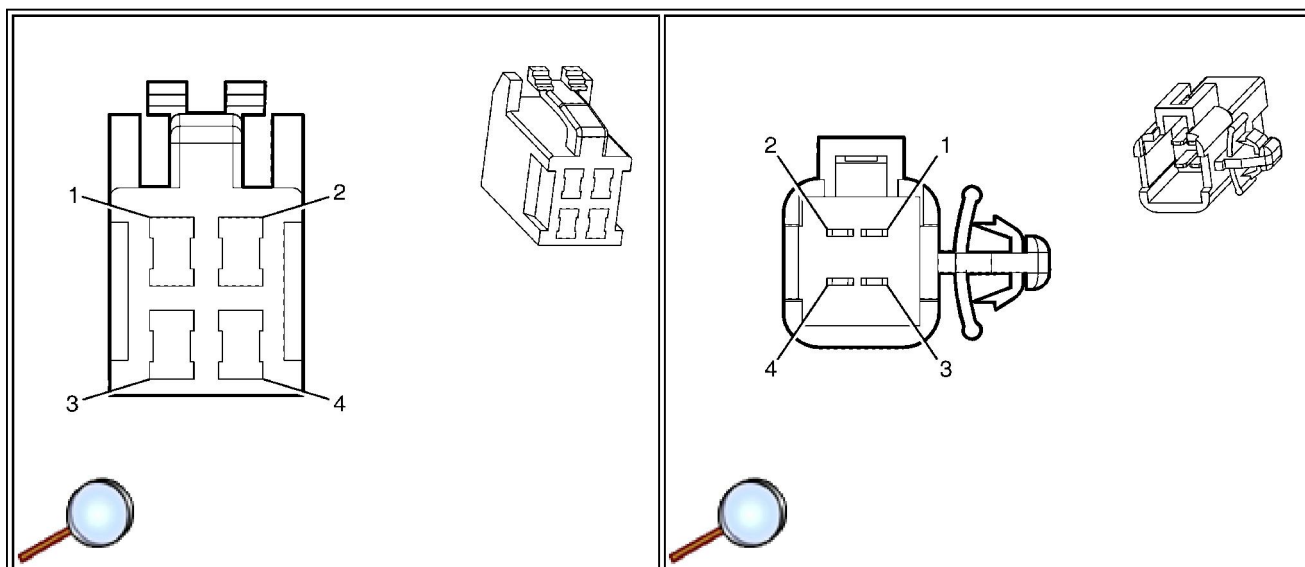
- | Terminal/Tray: See Terminal Repair Kit
- | Core/Insulation Crimp: See Terminal Repair Kit
- | Release Tool/Test Probe: See Terminal Repair Kit

X238 Indicator Assembly to the I/P Harness (HSV)

Pin	Wire Color	Circuit No.	Function	Pin	Wire Color	Circuit No.	Function
1	0.3 YE	6817	Ground	1	0.3 YE	6817	Ground
2	0.5 L-BU	5986	Ground	2	0.5 L-BU	5986	Ground
3	0.5	1384	Electronic Suspension	3	0.5	1384	Electronic Suspension

	YE/RD		Control Switch Signal		YE/RD		Control Switch Signal
4	0.5 BK	850	Ground	4	0.5 BK	850	Ground
5-6	--	--	Not Used	5-6	--	--	Not Used
7	0.5 YE/BK	370	Module Signal Error	7	0.5 YE/BK	370	Module Signal Error
8	0.85 YE/GN	1437	Firm LED Supply Voltage	8	0.85 YE/GN	1437	Firm LED Supply Voltage
9	0.5 BK	850	Ground	9	0.5 BK	850	Ground
10	0.5 BK	850	Ground	10	0.5 BK	850	Ground

X241 I/P Harness to the Driver Information Center Harness



Connector Part Information

- | OEM: 7283-1040
- | Service: See Catalog
- | Description: 4-Way F (WH)

Terminal Part Information

- | Terminal/Tray: 7116-4020/11
- | Core/Insulation Crimp: E/C
- | Release Tool/Test Probe: 15315247/J-35616-18 (BK)

Connector Part Information

- | OEM: 7282-1641
- | Service: See Catalog
- | Description: 4-Way M 090 II Series (WH)

Terminal Part Information

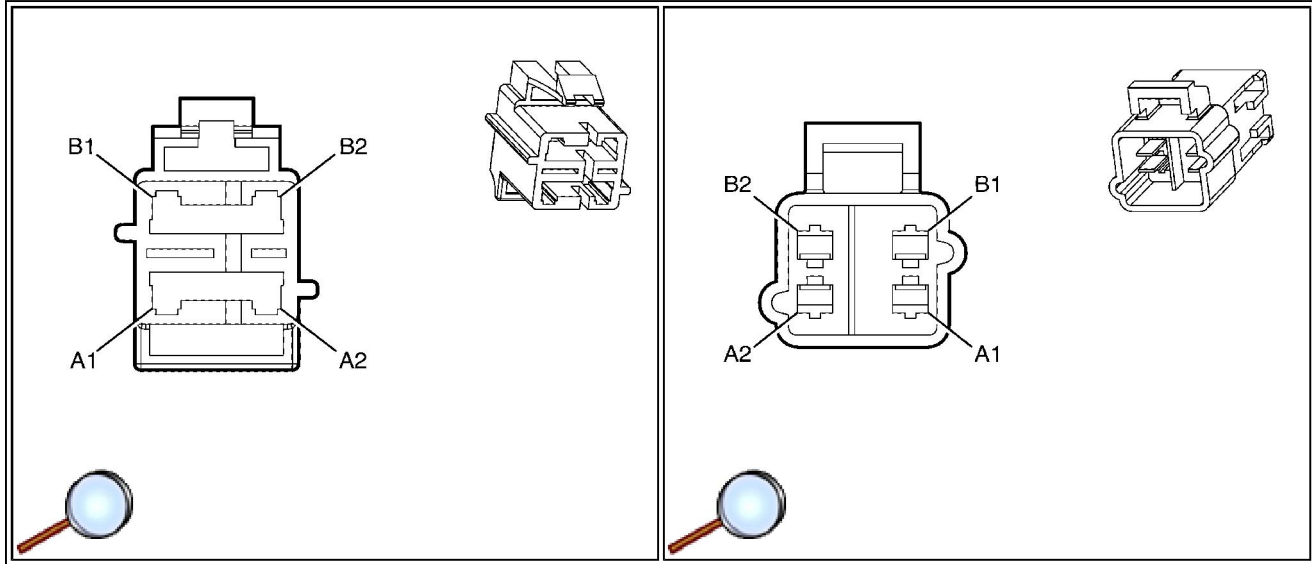
- | Terminal/Tray: 7114-4020/10
- | Core/Insulation Crimp: E/C
- | Release Tool/Test Probe: 15315247/J-35616-19 (BK)

X241 I/P Harness to the Driver Information Center Harness

Pin	Wire Color	Circuit No.	Function	Pin	Wire Color	Circuit No.	Function
1	0.35 D-GN	9205	Low Speed GMLAN Serial Data	1	0.35 D-GN	5060	Low Speed GMLAN Serial Data
	0.5		Battery Positive		0.5		Battery Positive

2	OG/WH	1840	Voltage	2	RD/WH	1840	Voltage
3	0.5 BK	1450	Ground	3	0.3 BK	1450	Ground
4	--	--	Not Used	4	--	--	Not Used

X253 I/P Harness to the Body Harness



Connector Part Information

- | OEM: 7183-7297-70
- | Service: 15306186
- | Description: 4-Way F Metri-Pack 280 Series (YE)

Terminal Part Information

- | Terminal/Tray: 12034046/2
- | Core/Insulation Crimp: E/A
- | Release Tool/Test Probe: 12094430/J-35616-4A (PU)

Connector Part Information

- | OEM: 7182-7297-70
- | Service: See Catalog
- | Description: 4-Way M (YE)

Terminal Part Information

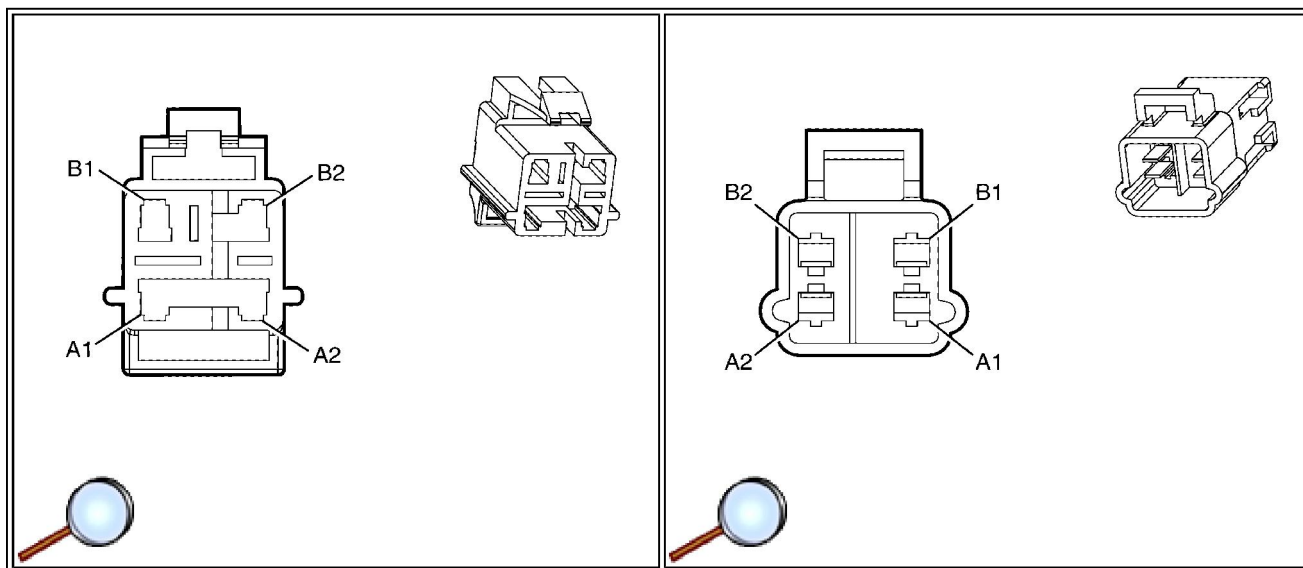
- | Terminal/Tray: 12034047/2
- | Core/Insulation Crimp: E/A
- | Release Tool/Test Probe: 12094430/J-35616-5 (PU)

X253 I/P Harness to the Body Harness

Pin	Wire Color	Circuit No.	Function	Pin	Wire Color	Circuit No.	Function
A1	0.3 PK	3022	Steering Wheel Module - Stage2 - Low Control	A1	0.3 PK	3022	Steering Wheel Module - Stage2 - Low Control
A2	0.3 WH	3023	Steering Wheel Module - Stage2 - High Control	A2	0.3 WH	3023	Steering Wheel Module - Stage2 - High Control
B1	0.3 BN	3020	Steering Wheel Module - Stage1 - Low Control	B1	0.3 BN	3020	Steering Wheel Module - Stage1 - Low Control
			Steering Wheel				Steering Wheel

B2	0.3 BN/RD	3021	Module - Stage1 - High Control	B2	0.3 BN/RD	3021	Module - Stage1 - High Control
----	--------------	------	-----------------------------------	----	--------------	------	-----------------------------------

X254 I/P Harness to the Body Harness



Connector Part Information

- | OEM: 7287-0496-70
- | Service: See Catalog
- | Description: 4-Way F (YE)

Terminal Part Information

- | Terminal/Tray: 12034046/2
- | Core/Insulation Crimp: E/A
- | Release Tool/Test Probe: 12094430/J-35616-4A (PU)

Connector Part Information

- | OEM: 7186-0493-70
- | Service: See Catalog
- | Description: 4-Way M (YE)

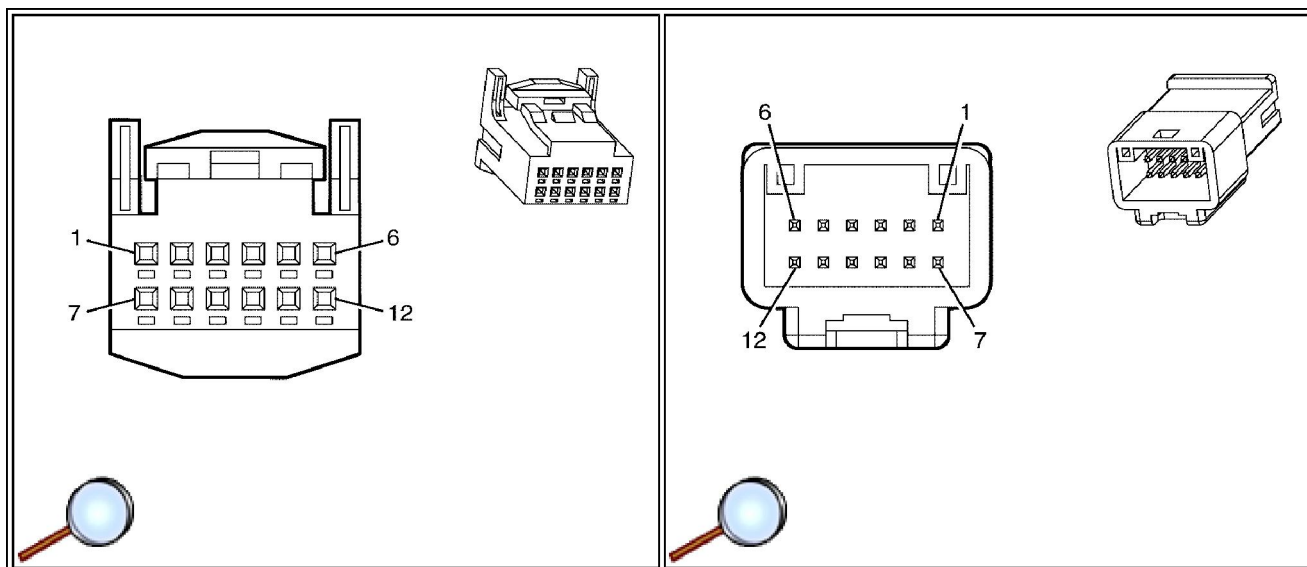
Terminal Part Information

- | Terminal/Tray: 12034047/2
- | Core/Insulation Crimp: E/A
- | Release Tool/Test Probe: 12094430/J-35616-5 (PU)

X254 I/P Harness to the Body Harness

Pin	Wire Color	Circuit No.	Function	Pin	Wire Color	Circuit No.	Function
A1	0.5 PU	3026	I/P Module - Stage 2 - Low Control	A1	0.3 PU	3026	I/P Module - Stage 2 - Low Control
A2	0.5 D-GN	3027	I/P Module - Stage 2 - High Control	A2	0.3 D-GN	3027	I/P Module - Stage 2 - High Control
B1	0.5 D-BU	3024	I/P Module - Stage 1 - Low Control	B1	0.3 D-BU	3024	I/P Module - Stage 1 - Low Control
B2	0.5 YE	3025	I/P Module - Stage 1 - High Control	B2	0.3 YE	3025	I/P Module - Stage 1 - High Control

X255 Digital Video Disc (DVD) Control Module to the Video Display



Connector Part Information

- | OEM: 1376106
- | Service: See Catalog
- | Description: 12-Way F

Terminal Part Information

- | Terminal/Tray: See Terminal Repair Kit
- | Core/Insulation Crimp: See Terminal Repair Kit
- | Release Tool/Test Probe: See Terminal Repair Kit

Connector Part Information

- | OEM: 1376106
- | Service: See Catalog
- | Description: 12-way M

Terminal Part Information

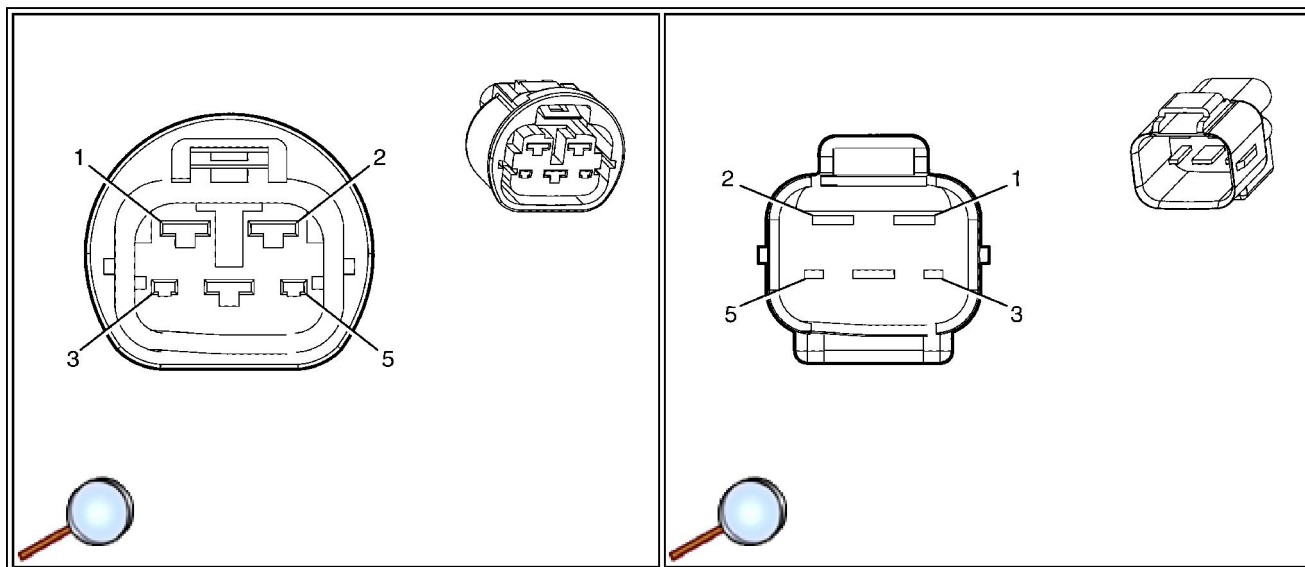
- | Terminal/Tray: See Terminal Repair Kit
- | Core/Insulation Crimp: See Terminal Repair Kit
- | Release Tool/Test Probe: See Terminal Repair Kit

X255 Digital Video Disc (DVD) Control Module to the Video Display

Pin	Wire Color	Circuit No.	Function	Pin	Wire Color	Circuit No.	Function
1	0.18 L-GN	5826	DVD Audio Left Signal (+)	1	0.18 L-GN	5826	DVD Audio Left Signal (+)
2	0.18 D-GN/WH	5828	DVD Audio Right Signal (+)	2	0.18 D-GN/WH	5828	DVD Audio Right Signal (+)
3	0.18 WH	6976	DVD Video Signal (+)	3	0.18 WH	6976	DVD Video Signal (+)
4	0.18 YE	5485	RS485 TX	4	0.18 YE	5485	RS485 TX
5	0.18 BARE	5339	Shield	5	0.18 BARE	5339	Shield
6	0.18 OG	6849	Battery Positive	6	0.18 OG	6849	Battery Positive
7	0.18 L-GN	5825	DVD Audio Left Signal (-)	7	0.18 L-GN	5825	DVD Audio Left Signal (-)
8	0.18 D-GN/WH	5827	DVD Audio Right Signal (-)	8	0.18 D-GN/WH	5827	DVD Audio Right Signal (-)
9	0.18 WH	6975	DVD Video Signal (-)	9	0.18 WH	6975	DVD Video Signal (-)

10	0.18 D-GN	1098	RS485 RX	10	0.18 D-GN	1098	RS485 RX
11	--	--	Not Used	11	--	--	Not Used
12	0.18 L-BU	6873	Ground	12	0.18 L-BU	6873	Ground

X305 Body Harness to the Fuel Tank Harness



Connector Part Information

- | OEM: 7283-7350-30
- | Service: See Catalog
- | Description: 5-Way F

Terminal Part Information

- | Terminal/Tray: See Terminal Repair Kit
- | Core/Insulation Crimp: See Terminal Repair Kit
- | Release Tool/Test Probe: See Terminal Repair Kit

Connector Part Information

- | OEM: 7282-7350-30
- | Service: See Catalog
- | Description: 5-Way M

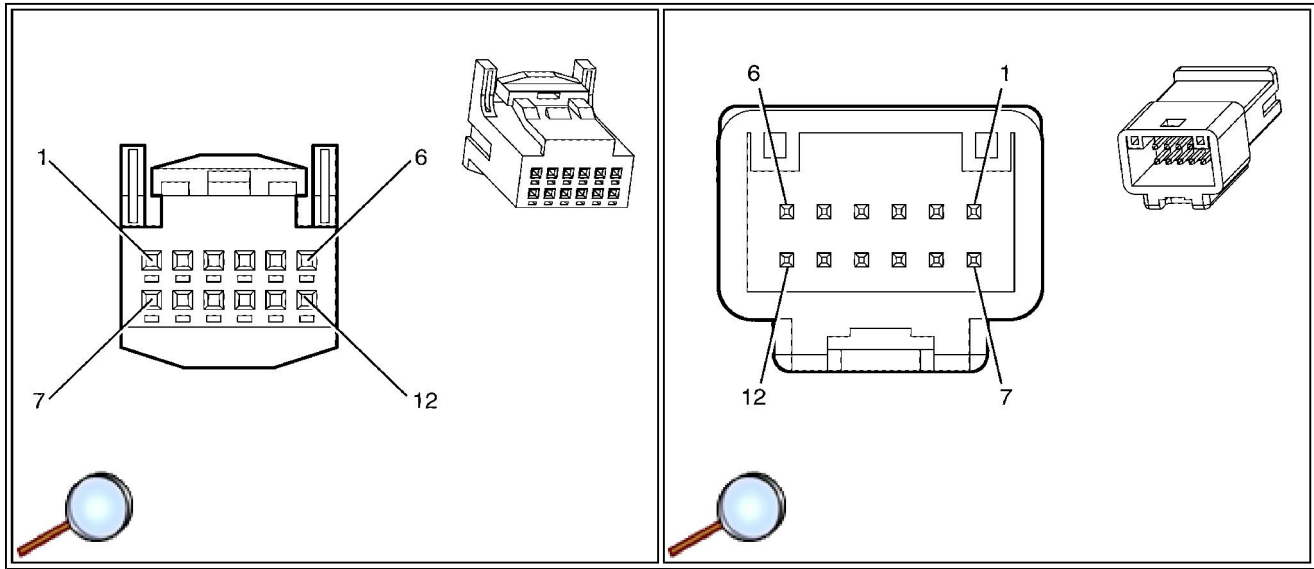
Terminal Part Information

- | Terminal/Tray: See Terminal Repair Kit
- | Core/Insulation Crimp: See Terminal Repair Kit
- | Release Tool/Test Probe: See Terminal Repair Kit

X305 Body Harness to the Fuel Tank Harness

Pin	Wire Color	Circuit No.	Function	Pin	Wire Color	Circuit No.	Function
1	2 BK	1350	Ground	1	2 BK	1350	Ground
2	2 GY	120	Fuel Pump Supply Voltage	2	2 GY	120	Fuel Pump Supply Voltage
3	0.5 L-BU	1937	Fuel Level Sensor Signal (Secondary)	3	0.5 L-BU	1937	Fuel Level Sensor Signal (Secondary)
4	0.5 BN/YE	452	Fuel Return	4	0.5 BN/YE	452	Fuel Return
5	0.5 PU	1589	Fuel Level Sensor Signal (Primary)	5	0.5 PU	1589	Fuel Level Sensor Signal (Primary)

X306 Driver Seat Harness to the Body Harness (A45)



Connector Part Information

- | OEM: 1318774-1
- | Service: See Catalog
- | Description: 12-Way F

Terminal Part Information

- | Terminal/Tray: See Terminal Repair Kit
- | Core/Insulation Crimp: See Terminal Repair Kit
- | Release Tool/Test Probe: See Terminal Repair Kit

Connector Part Information

- | OEM: 1565894-1
- | Service: See Catalog
- | Description: 12-Way M

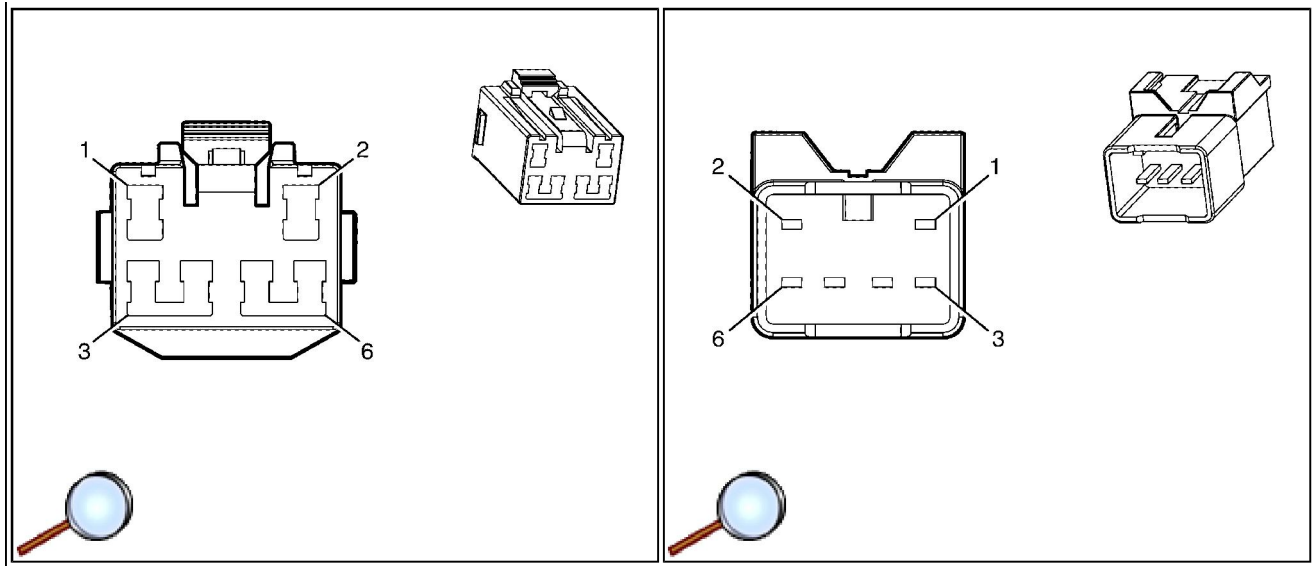
Terminal Part Information

- | Terminal/Tray: See Terminal Repair Kit
- | Core/Insulation Crimp: See Terminal Repair Kit
- | Release Tool/Test Probe: See Terminal Repair Kit

X306 Driver Seat Harness to the Body Harness (A45)

Pin	Wire Color	Circuit No.	Function	Pin	Wire Color	Circuit No.	Function
1	0.5 PK/WH	6839	Memory Mirror Voltage	1	0.5 PK/WH	6839	Memory Mirror Voltage
2	0.5 BK/WH	2851	Memory Mirror Ground	2	0.5 BK/WH	2851	Memory Mirror Ground
3	0.3 D-GN/WH	7006	Mirror Control Signal	3	0.3 D-GN/WH	7006	Mirror Control Signal
4-10	--	--	Not Used	4-10	--	--	Not Used
11	0.5 BK	1350	Ground	11	0.5 BK	1350	Ground
12	0.35 D-GN	5060	Low Speed GMLAN Serial Data	12	0.35 D-GN	5060	Low Speed GMLAN Serial Data

X307 Body Harness to the Left Front Door Harness



Connector Part Information

- | OEM: 7283-1060
- | Service: See Catalog
- | Description: 6-Way F

Terminal Part Information

- | Terminal/Tray: See Terminal Repair Kit
- | Core/Insulation Crimp: See Terminal Repair Kit
- | Release Tool/Test Probe: See Terminal Repair Kit

Connector Part Information

- | OEM: 7282-1060
- | Service: See Catalog
- | Description: 6-Way M

Terminal Part Information

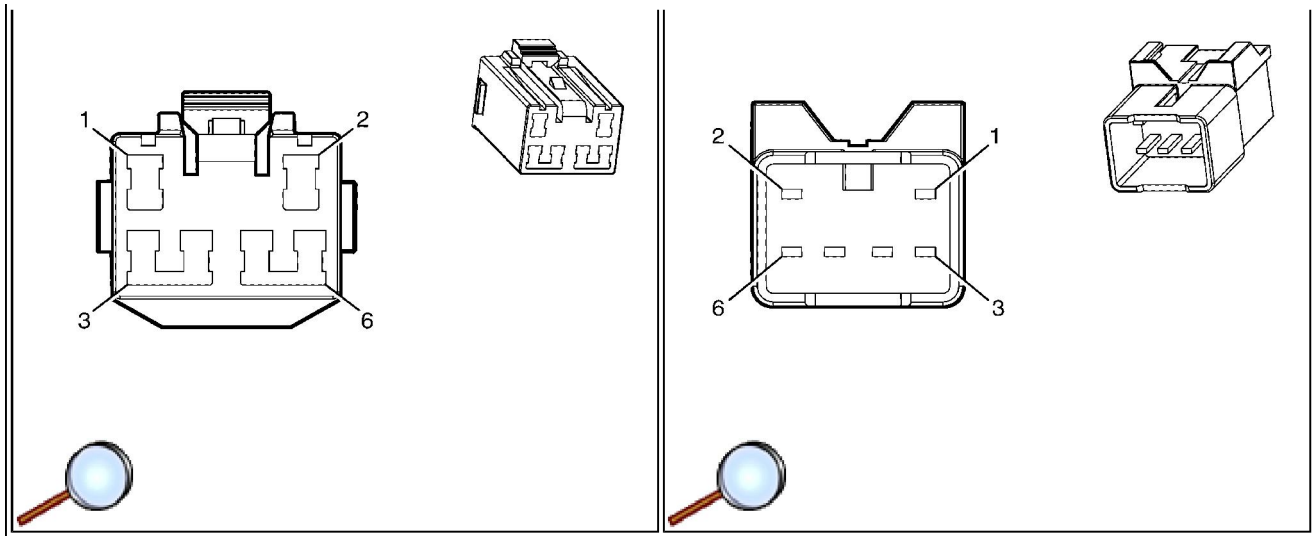
- | Terminal/Tray: See Terminal Repair Kit
- | Core/Insulation Crimp: See Terminal Repair Kit
- | Release Tool/Test Probe: See Terminal Repair Kit

X307 Body Harness to the Left Front Door Harness

Pin	Wire Color	Circuit No.	Function	Pin	Wire Color	Circuit No.	Function
1	--	--	Not Used	1	--	--	Not Used
2	0.5 D-BU/WH	149	Courtesy Lamp Supply Voltage	2	0.5 D-BU/WH	149	Courtesy Lamp Supply Voltage
3	0.5 BK/WH	7391	Memory Mirror Ground	3	0.5 WH	7391	Memory Mirror Ground
4	0.5 D-GN/WH	81	Mirror Control Signal	4	0.5 WH/BK	81	Mirror Control Signal
5	0.5 PK/WH	89	Memory Mirror Voltage	5	0.5 PK/WH	89	Memory Mirror Voltage
6	0.5 BN	5998	Puddle Lamp Supply Voltage	6	0.5 BN	5998	Puddle Lamp Supply Voltage

X308 Body Harness to the Right Front Door Harness

--	--



Connector Part Information

- | OEM: 7283-1060
- | Service: See Catalog
- | Description: 6-Way F

Terminal Part Information

- | Terminal/Tray: See Terminal Repair Kit
- | Core/Insulation Crimp: See Terminal Repair Kit
- | Release Tool/Test Probe: See Terminal Repair Kit

Connector Part Information

- | OEM: 7282-1060
- | Service: See Catalog
- | Description: 6-Way M

Terminal Part Information

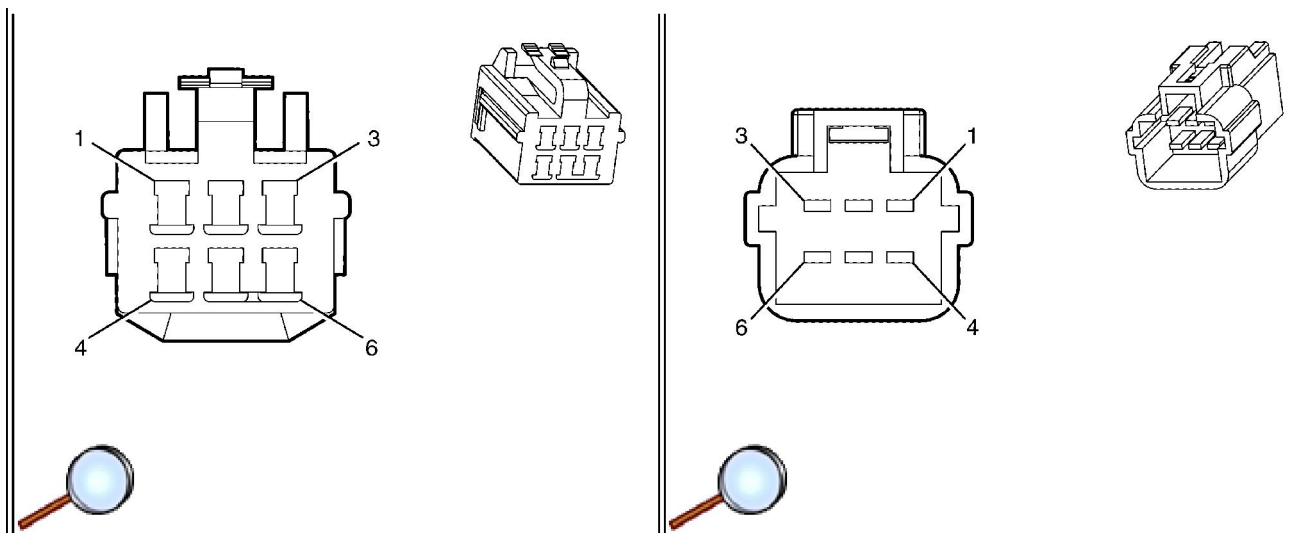
- | Terminal/Tray: See Terminal Repair Kit
- | Core/Insulation Crimp: See Terminal Repair Kit
- | Release Tool/Test Probe: See Terminal Repair Kit

X308 Body Harness to the Right Front Door Harness

Pin	Wire Color	Circuit No.	Function	Pin	Wire Color	Circuit No.	Function
1	--	--	Not Used	1	--	--	Not Used
2	0.5 D-BU/WH	149	Courtesy Lamp Supply Voltage	2	0.5 D-BU/WH	149	Courtesy Lamp Supply Voltage
3	0.5 BK/WH	7391	Memory Mirror Ground	3	0.5 WH	7391	Memory Mirror Ground
4	0.5 D-GN/BK	881	Mirror Control Signal	4	0.5 OG/WH	881	Mirror Control Signal
5	0.5 PK/WH	889	Memory Mirror Voltage	5	0.5 PK/WH	889	Memory Mirror Voltage
6	0.5 BN	5998	Puddle Lamp Supply Voltage	6	0.5 BN	5998	Puddle Lamp Supply Voltage

X309 Body Harness to the I/P Harness

--	--



Connector Part Information

- | OEM: 7283-1068
- | Service: See Catalog
- | Description: 6-Way F 090 II Series (WH)

Terminal Part Information

- | Pins: 1, 4
- | Terminal/Tray: 7116-4020/11
- | Core/Insulation Crimp: E/C
- | Release Tool/Test Probe: 15315247/J-35616-18 (BK)
- | Pins: 2, 5
- | Terminal/Tray: 7116-4021/11
- | Core/Insulation Crimp: 2/A
- | Release Tool/Test Probe: 15315247/J-35616-18 (BK)

Connector Part Information

- | OEM: 7282-1068
- | Service: See Catalog
- | Description: 6-Way M 090 II Series (WH)

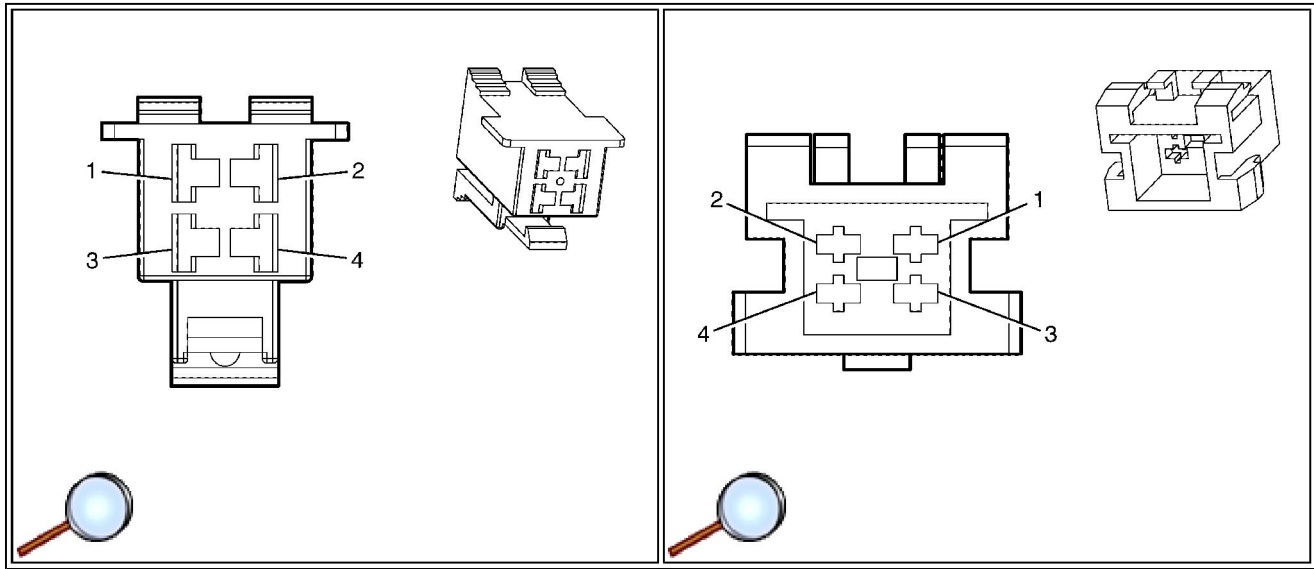
Terminal Part Information

- | Terminal/Tray: See Terminal Repair Kit
- | Core/Insulation Crimp: See Terminal Repair Kit
- | Release Tool/Test Probe: See Terminal Repair Kit

X309 Body Harness to the I/P Harness

Pin	Wire Color	Circuit No.	Function	Pin	Wire Color	Circuit No.	Function
1	0.5 OG/BK	233	Park Brake Switch Signal	1	0.5 OG/BK	233	Park Brake Switch Signal
2	1.25 BN/YE	9101	Accessory Voltage	2	1.25 BN/YE	9101	Accessory Voltage
3	0.85 OG	1732	Courtesy Lamps Supply Voltage	3	0.85 OG	1732	Courtesy Lamps Supply Voltage
4	0.3 GY	8	Instrument Panel Lamp Supply Voltage	4	0.3 GY	8	Instrument Panel Lamp Supply Voltage
5	1.25 BK	2050	Ground	5	1.25 BK	2050	Ground
6	--	--	Not Used	6	--	--	Not Used

X310 Passenger Seat Harness to the Body Harness



Connector Part Information

- | OEM: 7183-8287-30
- | Service: See Catalog
- | Description: 4-Way F (BK)

Terminal Part Information

- | Terminal/Tray: See Terminal Repair Kit
- | Core/Insulation Crimp: See Terminal Repair Kit
- | Release Tool/Test Probe: See Terminal Repair Kit

Connector Part Information

- | OEM: 7182-8287-30
- | Service: See Catalog
- | Description: 4-Way M (BK)

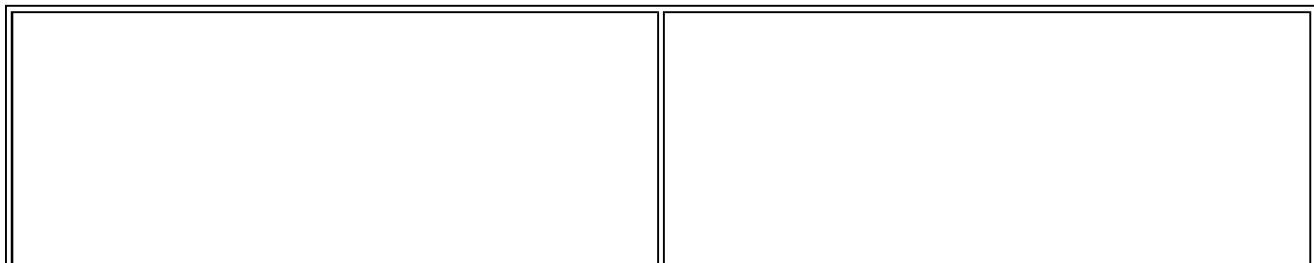
Terminal Part Information

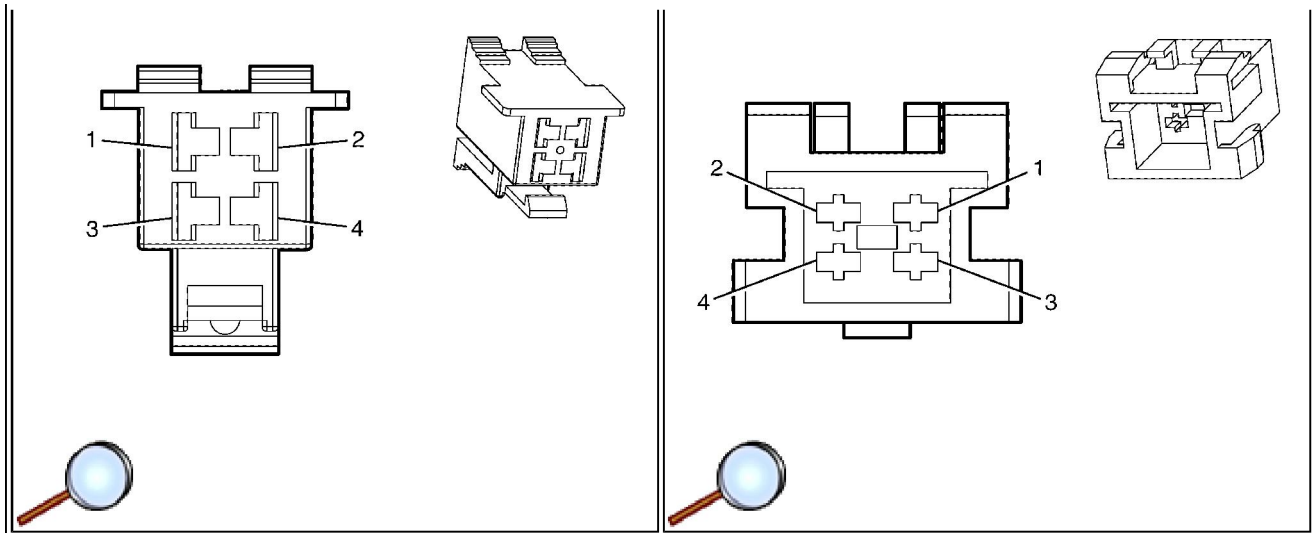
- | Terminal/Tray: See Terminal Repair Kit
- | Core/Insulation Crimp: See Terminal Repair Kit
- | Release Tool/Test Probe: See Terminal Repair Kit

X310 Passenger Seat Harness to the Body Harness

Pin	Wire Color	Circuit No.	Function	Pin	Wire Color	Circuit No.	Function
1	2 OG	1140	Battery Positive Voltage	1	2 OG	1140	Battery Positive Voltage
2	2 BK	1350	Ground	2	2 BK	1350	Ground
3-4	--	--	Not Used	3-4	--	--	Not Used

X311 Driver Seat Harness to the Body Harness





Connector Part Information

- | OEM: 7183-8287-30
- | Service: See Catalog
- | Description: 4-Way F (BK)

Terminal Part Information

- | Terminal/Tray: See Terminal Repair Kit
- | Core/Insulation Crimp: See Terminal Repair Kit
- | Release Tool/Test Probe: See Terminal Repair Kit

Connector Part Information

- | OEM: 7182-8287-30
- | Service: See Catalog
- | Description: 4-Way M (BK)

Terminal Part Information

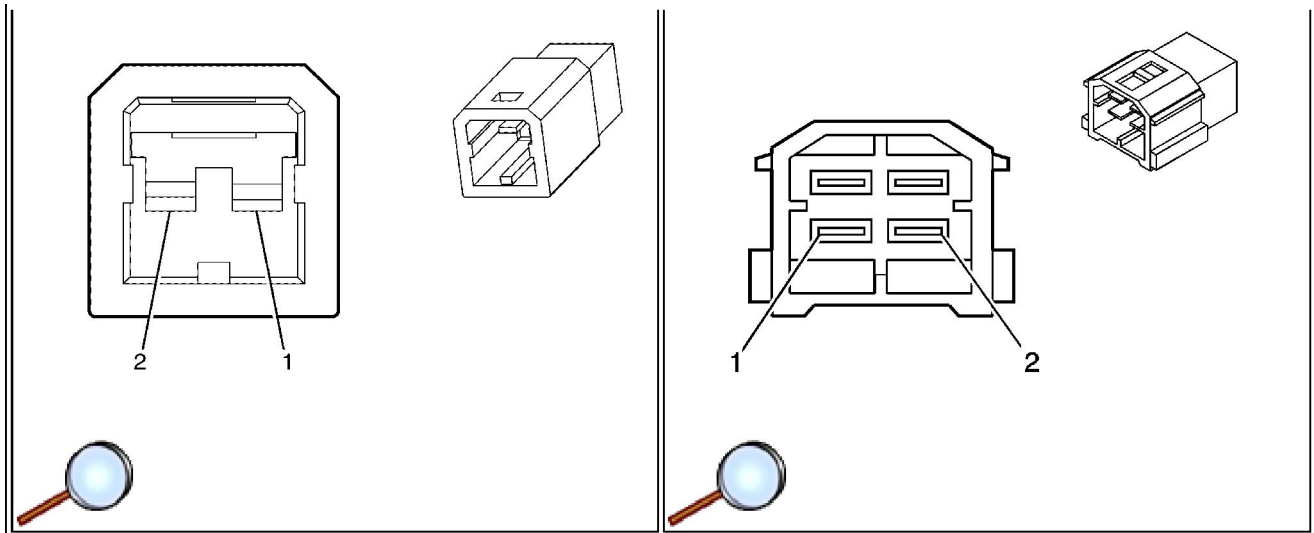
- | Terminal/Tray: See Terminal Repair Kit
- | Core/Insulation Crimp: See Terminal Repair Kit
- | Release Tool/Test Probe: See Terminal Repair Kit

X311 Driver Seat Harness to the Body Harness

Pin	Wire Color	Circuit No.	Function	Pin	Wire Color	Circuit No.	Function
1	2 OG	1140	Battery Positive Voltage	1	2 OG	1140	Battery Positive Voltage (without A45)
					2 RD	1140	Battery Positive Voltage (A45)
2	2 BK	2050	Ground (without A45)	2	2 BK	2050	Ground (without A45)
	1.25 BK	2050	Ground (A45)		1.25 BK	2050	Ground (A45)
3	0.3 BK/WH	238	Seat Belt Switch - Left	3	0.3 BK/WH	238	Seat Belt Switch - Left
4	0.3 D-BU	1363	Seat Belt Switch - Left - Low Reference	4	0.3 D-BU	1363	Seat Belt Switch - Left - Low Reference

X312 Body Harness to the Passenger Seat Harness

--	--



Connector Part Information

- | OEM: 7182-1724
- | Service: See Catalog
- | Description: 2-Way M (BK)

Terminal Part Information

- | Terminal/Tray: See Terminal Repair Kit
- | Core/Insulation Crimp: See Terminal Repair Kit
- | Release Tool/Test Probe: See Terminal Repair Kit

Connector Part Information

- | OEM: 174463-2
- | Service: See Catalog
- | Description: 2-Way F (WH)

Terminal Part Information

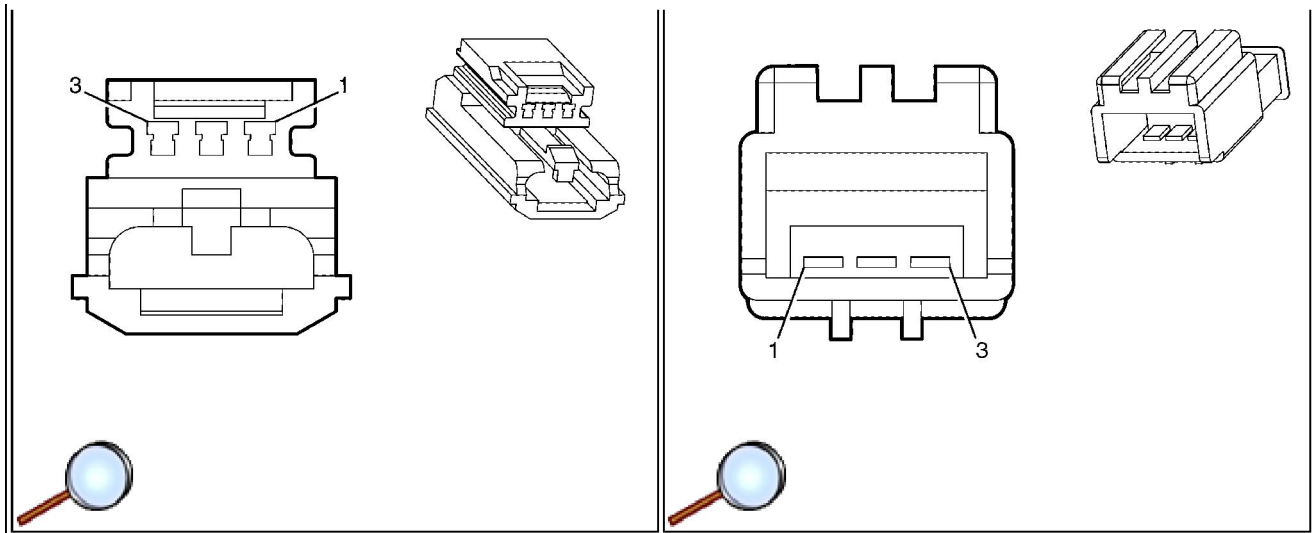
- | Terminal/Tray: 173633-3/15
- | Core/Insulation Crimp: E/4
- | Release Tool/Test Probe: 15315247/J-35616-34 (YE)

X312 Body Harness to the Passenger Seat Harness

Pin	Wire Color	Circuit No.	Function	Pin	Wire Color	Circuit No.	Function
1	0.3 PK/BU	5056	Seat Position Sensor-Right - Signal	1	0.3 L-BU	5056	Seat Position Sensor-Right - Signal
2	0.3 PU/WH	5057	Seat Position Sensor - Low Reference	2	0.3 PK	5057	Seat Position Sensor - Low Reference

X313 Body Harness to the Passenger Seat Harness

--	--



Connector Part Information

- | OEM: 7283-9781-70
- | Service: See Catalog
- | Description: 3-Way F (YE)

Terminal Part Information

- | Terminal/Tray: See Terminal Repair Kit
- | Core/Insulation Crimp: See Terminal Repair Kit
- | Release Tool/Test Probe: See Terminal Repair Kit

Connector Part Information

- | OEM: 72829781
- | Service: See Catalog
- | Description: 3-Way M (YE)

Terminal Part Information

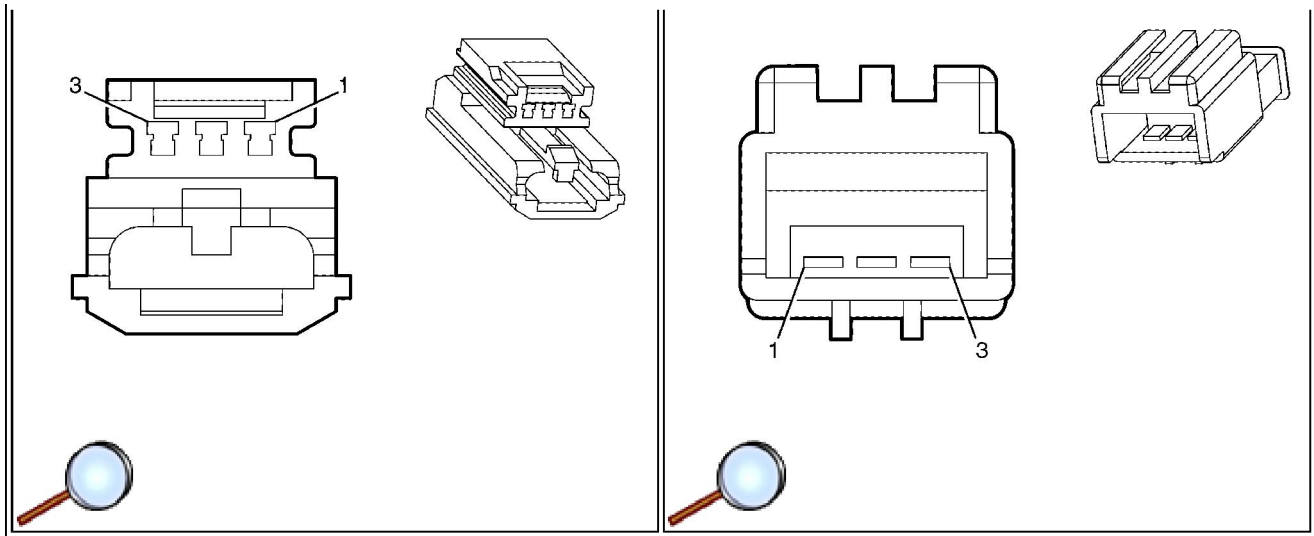
- | Terminal/Tray: See Terminal Repair Kit
- | Core/Insulation Crimp: See Terminal Repair Kit
- | Release Tool/Test Probe: See Terminal Repair Kit

X313 Body Harness to the Passenger Seat Harness

Pin	Wire Color	Circuit No.	Function	Pin	Wire Color	Circuit No.	Function
1	0.3 BK/WH	2135	Side Impact Module - RF - High Control	1	0.3 BK/WH	2135	Side Impact Module - RF - High Control
2	0.3 L-GN	2136	Side Impact Module - RF - Low Control	2	0.3 L-GN	2136	Side Impact Module - RF - Low Control
3	0.3 BK/WH	1751	Ground	3	0.3 L-GN	1751	Ground

X314 Body Harness to the Driver Seat Harness

--	--



Connector Part Information

- | OEM: 7283-9781-70
- | Service: See Catalog
- | Description: 3-Way F (YE)

Terminal Part Information

- | Terminal/Tray: See Terminal Repair Kit
- | Core/Insulation Crimp: See Terminal Repair Kit
- | Release Tool/Test Probe: See Terminal Repair Kit

Connector Part Information

- | OEM: 72829781
- | Service: See Catalog
- | Description: 3-Way M (YE)

Terminal Part Information

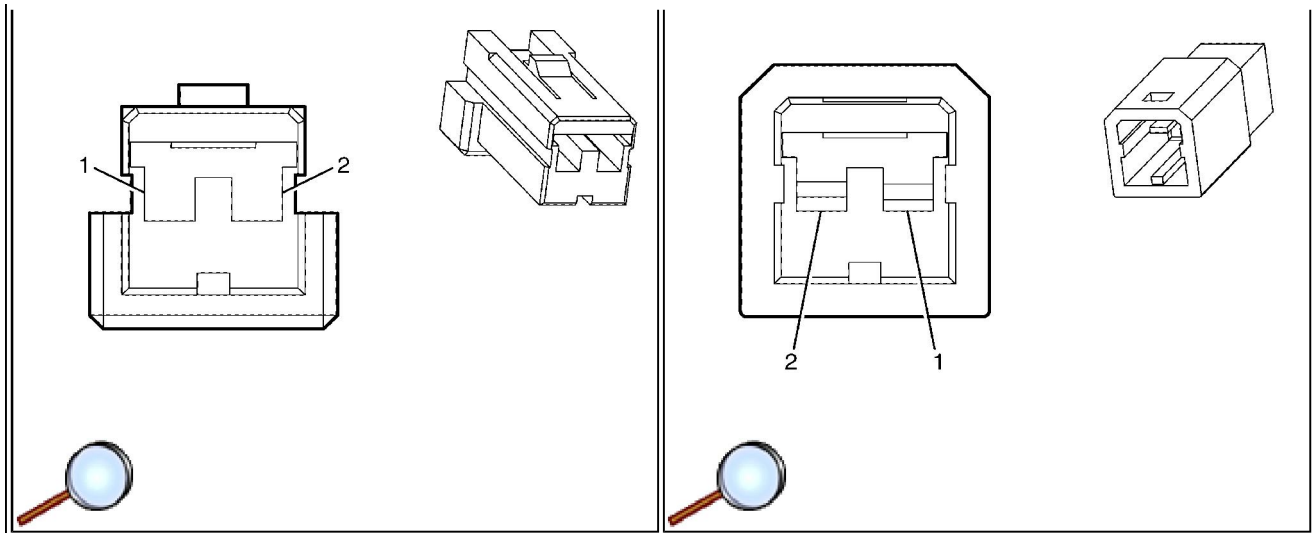
- | Terminal/Tray: See Terminal Repair Kit
- | Core/Insulation Crimp: See Terminal Repair Kit
- | Release Tool/Test Probe: See Terminal Repair Kit

X314 Body Harness to the Driver Seat Harness

Pin	Wire Color	Circuit No.	Function	Pin	Wire Color	Circuit No.	Function
1	0.3 BN	2137	Side Impact Module - LF - High Control	1	0.3 BN	2137	Side Impact Module - LF - High Control
2	0.3 YE/BK	2138	Side Impact Module - LF - Low Control	2	0.3 YE/BK	2138	Side Impact Module - LF - Low Control
3	0.3 BK/WH	1751	Ground	3	0.3 BK/WH	1751	Ground

X315 Body Harness to the Driver Seat Harness

--	--



Connector Part Information

- | OEM: 174463-2
- | Service: See Catalog
- | Description: 2-Way F

Terminal Part Information

- | Terminal/Tray: See Terminal Repair Kit
- | Core/Insulation Crimp: See Terminal Repair Kit
- | Release Tool/Test Probe: See Terminal Repair Kit

Connector Part Information

- | OEM: 7182-1724
- | Service: See Catalog
- | Description: 2-Way M

Terminal Part Information

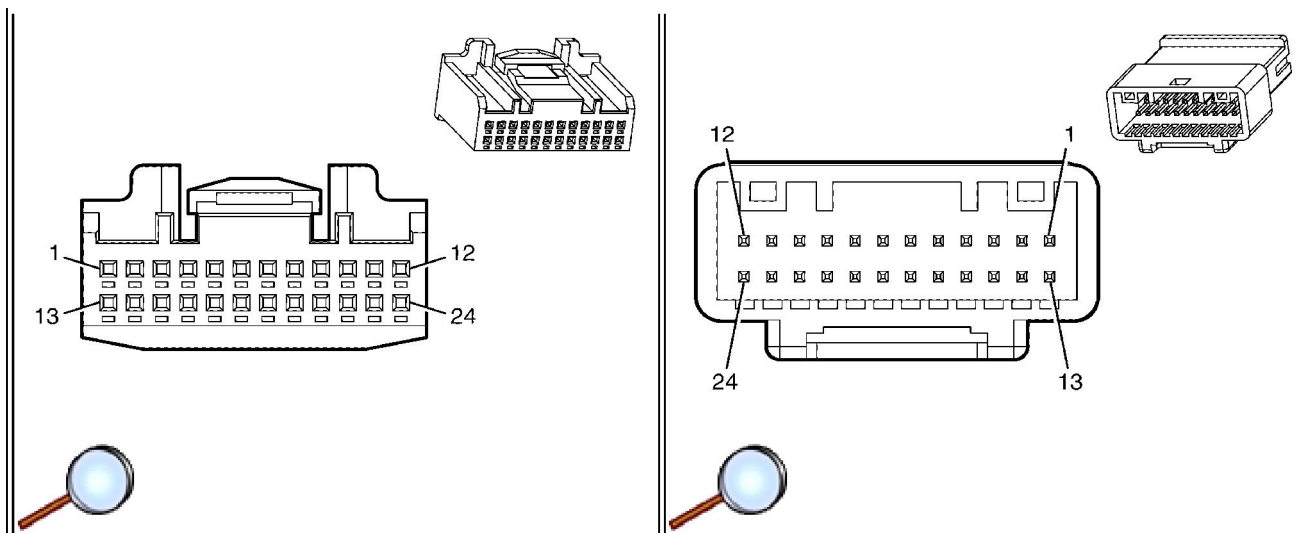
- | Terminal/Tray: 173633-3/15
- | Core/Insulation Crimp: E/4
- | Release Tool/Test Probe: 15315247/J-35616-34 (YE)

X315 Body Harness to the Driver Seat Harness

Pin	Wire Color	Circuit No.	Function	Pin	Wire Color	Circuit No.	Function
1	0.3 L-GN	5055	Seat Position Sensor-Left - Signal	1	0.3 PK/BU	5055	Seat Position Sensor-Left - Signal
2	0.3 D-BU	5057	Seat Position Sensor - Low Reference	2	0.3 PU/WH	5057	Seat Position Sensor - Low Reference

X316 Body Harness to the Digital Video Disc (DVD) Control Module

--	--



Connector Part Information

- | OEM: 1318917
- | Service: See Catalog
- | Description: 24-Way F

Terminal Part Information

- | Terminal/Tray: See Terminal Repair Kit
- | Core/Insulation Crimp: See Terminal Repair Kit
- | Release Tool/Test Probe: See Terminal Repair Kit

Connector Part Information

- | OEM: 1376103
- | Service: See Catalog
- | Description: 24-Way M

Terminal Part Information

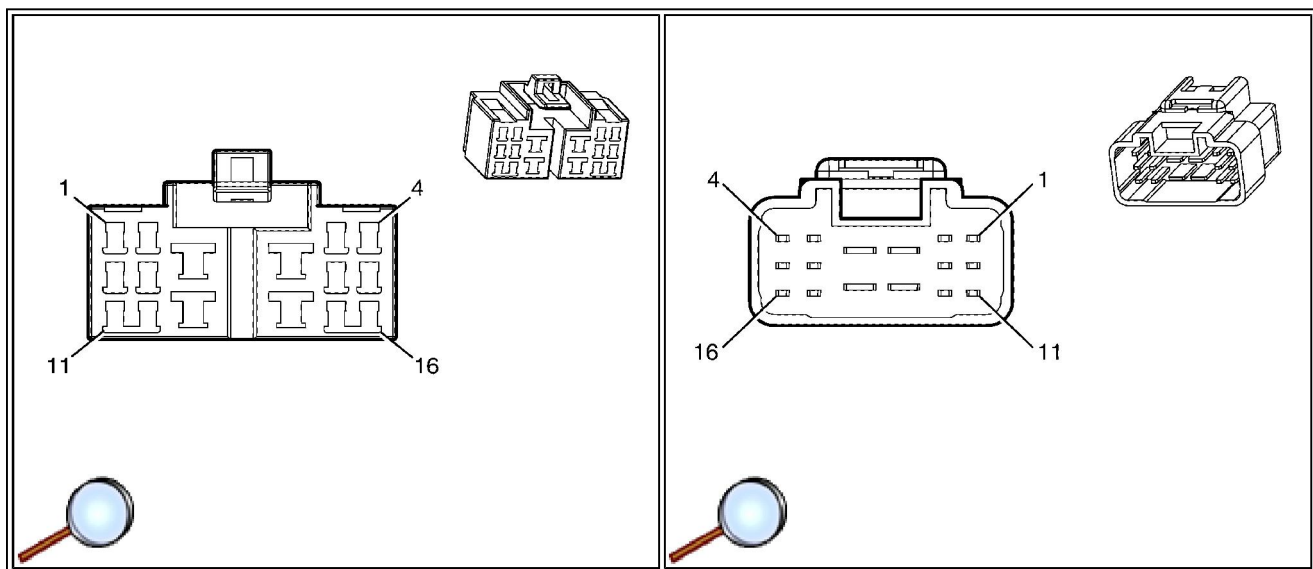
- | Terminal/Tray: See Terminal Repair Kit
- | Core/Insulation Crimp: See Terminal Repair Kit
- | Release Tool/Test Probe: See Terminal Repair Kit

X316 Body Harness to the Digital Video Disc (DVD) Control Module

Pin	Wire Color	Circuit No.	Function	Pin	Wire Color	Circuit No.	Function
1	0.18 OG	6849	Battery Positive	1	0.18 OG	6849	Battery Positive
2	0.18 YE	5845	RS485 TX	2	0.18 YE	5845	RS485 TX
3	0.18 BARE	5339	Shield	3	0.18 BARE	5339	Shield
4	0.18 L-GN	5826	DVD Audio Left Signal (+)	4	0.18 L-GN	5826	DVD Audio Left Signal (+)
5	0.18 L-GN/WH	5828	DVD Audio Right Signal (+)	5	0.18 D-GN/WH	5828	DVD Audio Right Signal (+)
6	0.18 WH	6975	DVD Video Signal (+)	6	0.18 WH	6975	DVD Video Signal (+)
7	0.18 YE	2059	Auxiliary Audio Left Signal (+)	7	0.18 YE	2059	Auxiliary Audio Left Signal (+)
8	0.18 D-BU/WH	2058	Auxiliary Audio Right Signal (+)	8	0.18 WH/RD	2058	Auxiliary Audio Right Signal (+)
9	0.18 RD	2056	Auxiliary Video Signal (+)	9	0.18 PU	2056	Auxiliary Video Signal (+)

10	0.5 RD	5839	Auxiliary Audio Left Signal (+)	10	0.5 BN/WH	5839	Auxiliary Audio Left Signal (+)
11	0.5 D-GN	5841	Auxiliary Audio Right Signal (+)	11	0.5 D-BU	5841	Auxiliary Audio Right Signal (+)
12	0.5 OG	5756	Roof Centre Speaker Output (+)	12	0.5 OG	5756	Roof Centre Speaker Output (+)
13	0.18 L-BU	6873	Ground	13	0.18 L-BU	6873	Ground
14	0.18 D-BU	1098	RS485 RX	14	0.18 D-GN	1098	RS485 RX
15	--	--	Not Used	15	--	--	Not Used
16	0.18 BARE	5825	DVD Audio Left Signal (-)	16	0.18 L-GN	5825	DVD Audio Left Signal (-)
17	0.18 BARE	5827	DVD Audio Right Signal (-)	17	0.18 D-GN/WH	5827	DVD Audio Right Signal (-)
18	0.18 WH	6976	DVD Video Signal (-)	18	0.18 WH	6976	DVD Video Signal (-)
19	0.18 BARE	5843	Auxiliary Audio Left Signal (-)	19	0.18 YE	5843	Auxiliary Audio Left Signal (-)
20	0.18 WH/RD	5345	Auxiliary Audio Right Signal (-)	20	0.18 WH/RD	5345	Auxiliary Audio Right Signal (-)
21	0.18 BARE	2057	Auxiliary Video Signal (-)	21	0.18 PU	2057	Auxiliary Video Signal (-)
22	--	--	Not Used	22	--	--	Not Used
23	0.5 BARE	7001	Common Auxiliary Audio Signal (-)	23	0.5 D-BU	7001	Common Auxiliary Audio Signal (-)
24	0.5 OG/BK	5766	Roof Centre Speaker Output (-)	24	0.5 OG/BK	5766	Roof Centre Speaker Output (-)

X317 Body Harness to the Body Harness



Connector Part Information

- | OEM: 7283-1168
- | Service: See Catalog
- | Description: 16-Way F

Terminal Part Information

- | Terminal/Tray: See Terminal Repair Kit
- | Core/Insulation Crimp: See Terminal Repair Kit
- | Release Tool/Test Probe: See Terminal Repair Kit

Connector Part Information

- | OEM: 7282-1168
- | Service: See Catalog
- | Description: 16-Way M

Terminal Part Information

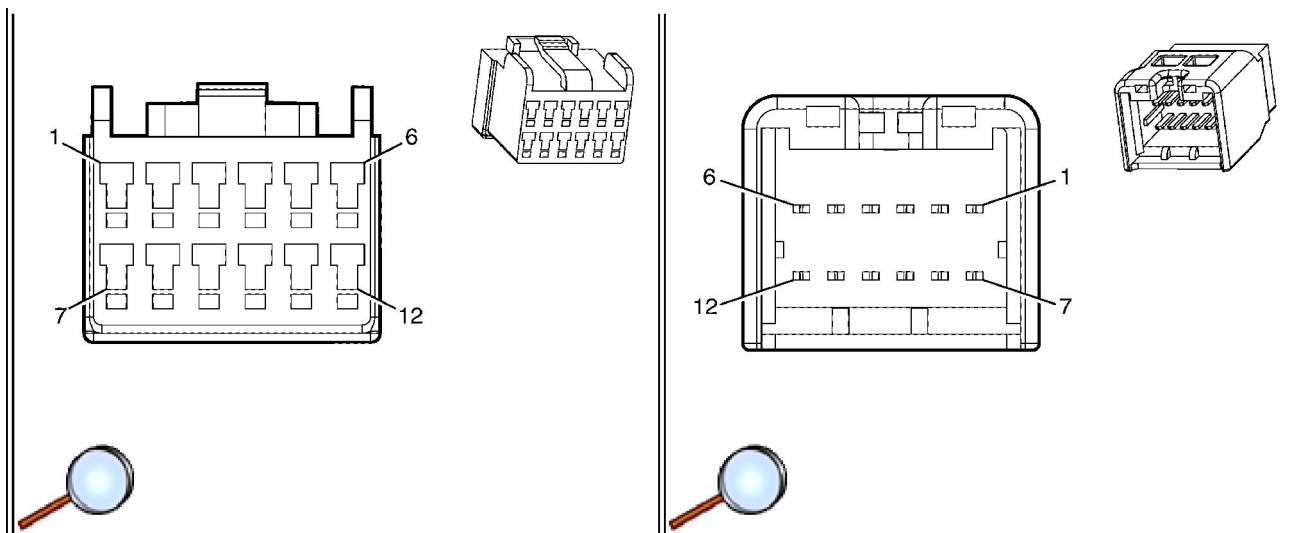
- | Terminal/Tray: See Terminal Repair Kit
- | Core/Insulation Crimp: See Terminal Repair Kit
- | Release Tool/Test Probe: See Terminal Repair Kit

X317 Body Harness to the Body Harness

Pin	Wire Color	Circuit No.	Function	Pin	Wire Color	Circuit No.	Function
1-2	--	--	Not Used	1-2	--	--	Not Used
3	0.5 BN	5998	Puddle Lamp Supply Voltage	3	0.5 BN	5998	Puddle Lamp Supply Voltage
4	0.3 OG	6978	Amplifier Mute Control	4	0.3 OG	6978	Amplifier Mute Control
5	0.3 BN/WH	5217	RF Corner Object Sensor Signal	5	0.3 BN/WH	5217	RF Corner Object Sensor Signal
6	--	--	Not Used	6	--	--	Not Used
7	2 OG/BU	1540	Battery Positive Voltage	7	2 OG/BU	1540	Battery Positive Voltage
8	0.5 D-BU/WH	149	Courtesy Lamp Supply Voltage	8	0.5 D-BU/WH	149	Courtesy Lamp Supply Voltage
9	0.3 OG/BK	5214	Object Sensor Low Reference	9	0.3 OG/BK	5214	Object Sensor Low Reference
10	0.3 WH	7066	Amplifier Enable Signal	10	0.3 WH	7066	Amplifier Enable Signal
11	0.3 BN	6581	Object Sensor Supply Voltage	11	0.3 BN	6581	Object Sensor Supply Voltage
12	0.3 PU/WH	5218	RF Middle Object Sensor Signal	12	0.3 PU/WH	5218	RF Middle Object Sensor Signal
13-14	--	--	Not Used	13-14	--	--	Not Used
15	0.3 WH	5216	LF Middle Object Sensor Signal	15	0.3 WH	5216	LF Middle Object Sensor Signal
16	0.3 PU/WH	5215	LF Corner Object Sensor Signal	16	0.3 PU/WH	5215	LF Corner Object Sensor Signal

X319 Headliner Harness to the Digital Video Disc (DVD) Control Module

--	--



Connector Part Information

- | OEM: 174045-2
- | Service: See Catalog
- | Description: 12-Way F

Terminal Part Information

- | Terminal/Tray: See Terminal Repair Kit
- | Core/Insulation Crimp: See Terminal Repair Kit
- | Release Tool/Test Probe: See Terminal Repair Kit

Connector Part Information

- | OEM: 174058-2
- | Service: See Catalog
- | Description: 12-Way M

Terminal Part Information

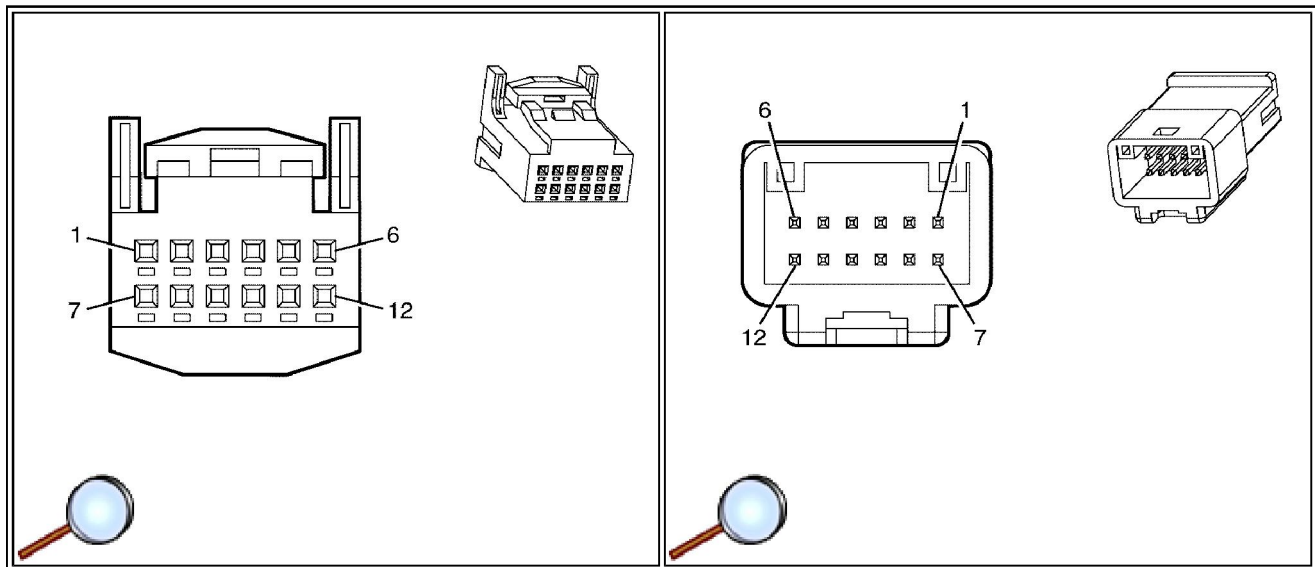
- | Terminal/Tray: See Terminal Repair Kit
- | Core/Insulation Crimp: See Terminal Repair Kit
- | Release Tool/Test Probe: See Terminal Repair Kit

X319 Headliner Harness to the Digital Video Disc (DVD) Control Module

Pin	Wire Color	Circuit No.	Function	Pin	Wire Color	Circuit No.	Function
1	0.5 PK	367	Left Audio Signal (+) (U56)	1	0.5 BN/WH	367	Left Audio Signal (+) (U56)
	0.3 D-GN	5060	Low Speed Gmlan Serial Data (UWF)		0.3 D-GN	5060	Low Speed Gmlan Serial Data (UWF)
2	0.5WH/BK	5335	DVD Video Signal (-)	2	0.5 BK	5335	DVD Video Signal (-)
3	0.5 RD	5334	DVD Video Signal (+)	3	0.5 RD/WH	5334	DVD Video Signal (+)
4	--	--	Not Used	4	--	--	Not Used
5	0.5 OG/YE	4540	DVD Video Signal (+)	5	0.5 RD/WH	4540	DVD Video Signal (+)
6	0.3 D-GN	5060	Low Speed Gmlan Serial Data (U56)	6	0.3 D-GN	5060	Low Speed Gmlan Serial Data (U56)
	0.5 PK	367	Left Audio Signal (+) (UWF)		0.5 WH	367	Left Audio Signal (+) (UWF)
			Right Audio Signal		0.5 D-		Right Audio Signal

7	0.5 D-BU	368	(+) (U56)	7	BU	368	(+) (U56)
8	0.5 D-GN/WH	1547	Common Audio Signal (-) (U56)	8	0.5 D-GN	1547	Common Audio Signal (-) (U56)
9	0.5 BK	1050	Ground	9	0.5 BK	1050	Ground
10	0.5 BK	1050	Ground	10	0.5 BK	1050	Ground
11	0.5 D-GN/WH		Common Audio Signal (-) (UWF)	11	0.5 WH/RD		Common Audio Signal (-) (UWF)
12	0.5 OG/YE	4540	Battery Positive Voltage	12	0.5 RD/WH	4540	Battery Positive Voltage
	0.5 D-BU	368	Right Audio Signal (+) (UWF)		0.5 RD	368	Right Audio Signal (+) (UWF)

X322 Passenger Seat Harness to the Body Harness



Connector Part Information

- | OEM: 1318774-1
- | Service: See Catalog
- | Description: 12-Way F

Terminal Part Information

- | Terminal/Tray: See Terminal Repair Kit
- | Core/Insulation Crimp: See Terminal Repair Kit
- | Release Tool/Test Probe: See Terminal Repair Kit

Connector Part Information

- | OEM: 1565894-1
- | Service: See Catalog
- | Description: 12-Way M

Terminal Part Information

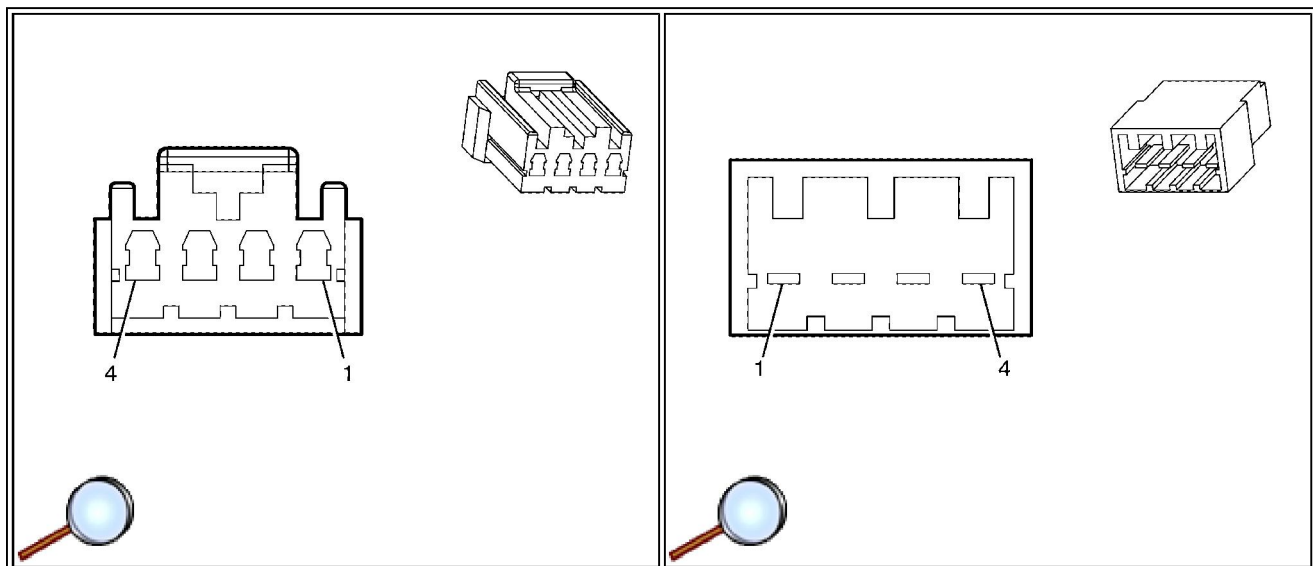
- | Terminal/Tray: See Terminal Repair Kit
- | Core/Insulation Crimp: See Terminal Repair Kit
- | Release Tool/Test Probe: See Terminal Repair Kit

X322 Passenger Seat Harness to the Body Harness

Pin	Wire Color	Circuit No.	Function	Pin	Wire Color	Circuit No.	Function
1	0.5	6839	Memory Mirror	1	0.5	6839	Memory Mirror

	RD/BU		Voltage		PK/WH		Voltage
2	0.5 BK/GN	2851	Memory Mirror Ground	2	0.5 BK/WH	2851	Memory Mirror Ground
3	0.5 YE/GN	7006	Mirror Control Signal	3	0.5 D-GN/WH	7006	Mirror Control Signal
4	0.5 OG	1512	Left Mirror Switch Right Signal	4	0.5 WH	1512	Left Mirror Switch Right Signal
5	0.5 D-BU	1513	Right Mirror Switch Right Signal	5	0.5 OG/WH	1513	Right Mirror Switch Right Signal
6	0.13 YE	5636	Left/Right Mirror Switch Signal	6	0.13 D-BU	5636	Left/Right Mirror Switch Signal
7	0.5 WH	1514	Left Mirror Motor Down Signal	7	0.5 L-GN	1514	Left Mirror Motor Down Signal
8	0.5 D-GN	1515	Right Mirror Motor Down Signal	8	0.5 PU/WH	1515	Right Mirror Motor Down Signal
9	0.5 BK	5478	Ground	9	0.5 BN	5478	Ground
10	0.5 RD	5477	Switch Voltage	10	0.5 YE	5477	Switch Voltage
11-12	--	--	Not Used	11-12	--	--	Not Used

X324 Driver Seat Back to the Driver Seat Harness (AH5)



Connector Part Information

- | OEM:
- | Service: See Catalog
- | Description: 4-Way F

Terminal Part Information

- | Terminal/Tray: See Terminal Repair Kit
- | Core/Insulation Crimp: See Terminal

Connector Part Information

- | OEM:
- | Service: See Catalog
- | Description: 4-Way M

Terminal Part Information

- | Terminal/Tray: See Terminal Repair Kit
- | Core/Insulation Crimp: See Terminal

Repair Kit

- | Release Tool/Test Probe: See Terminal Repair Kit

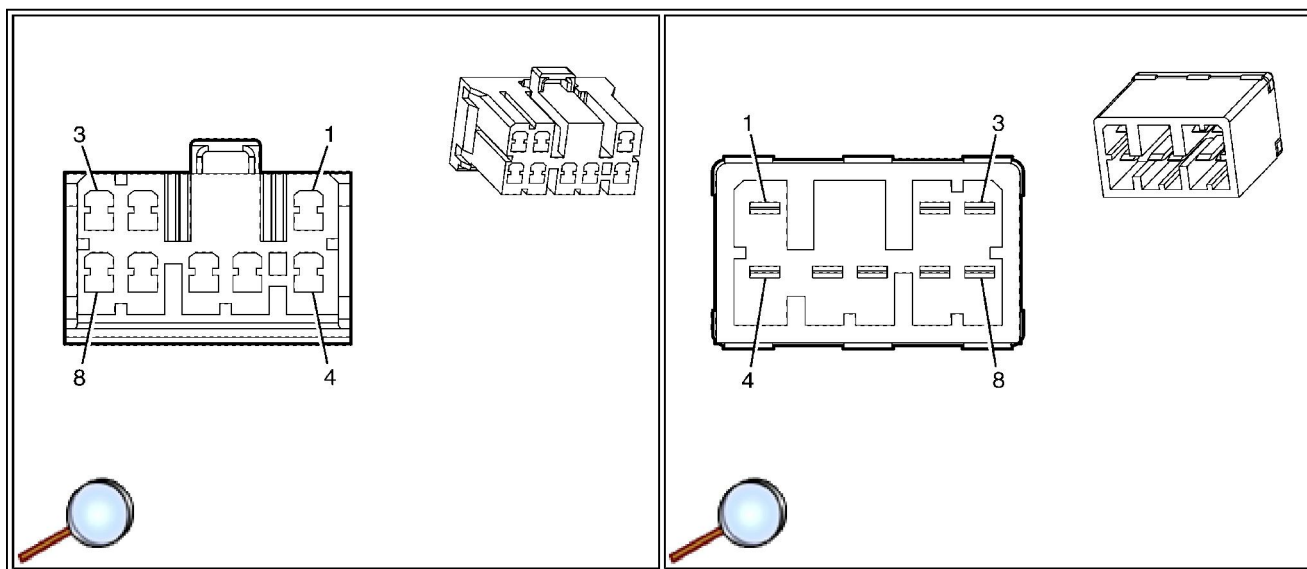
Repair Kit

- | Release Tool/Test Probe: See Terminal Repair Kit

X324 Driver Seat Back to the Driver Seat Harness (AH5)

Pin	Wire Color	Circuit No.	Function	Pin	Wire Color	Circuit No.	Function
1	0.85 YE	276	Driver Seat Recline Motor Forward Control	1	0.85 YE	276	Driver Seat Recline Motor Forward Control
2	0.85 PU/GN	277	Driver Seat Recline Motor Rearward Control	2	0.85 PU/GN	277	Driver Seat Recline Motor Rearward Control
3	0.3 BK/OG	1350	Ground	3	0.3 BK/OG	1350	Ground
4	0.3 D-GN/BN	570	Driver Seat Recline Motor Position Sensor Signal	4	0.3 D-GN/BN	570	Driver Seat Recline Motor Position Sensor Signal

X324 Driver Seat Back to the Driver Seat Harness (AGB)



Connector Part Information

- | OEM: 173850-2
- | Service: See Catalog
- | Description: 8-Way F

Terminal Part Information

- | Terminal/Tray: See Terminal Repair Kit
- | Core/Insulation Crimp: See Terminal Repair Kit
- | Release Tool/Test Probe: See Terminal Repair Kit

Connector Part Information

- | OEM: 174391-2
- | Service: See Catalog
- | Description: 8-Way M

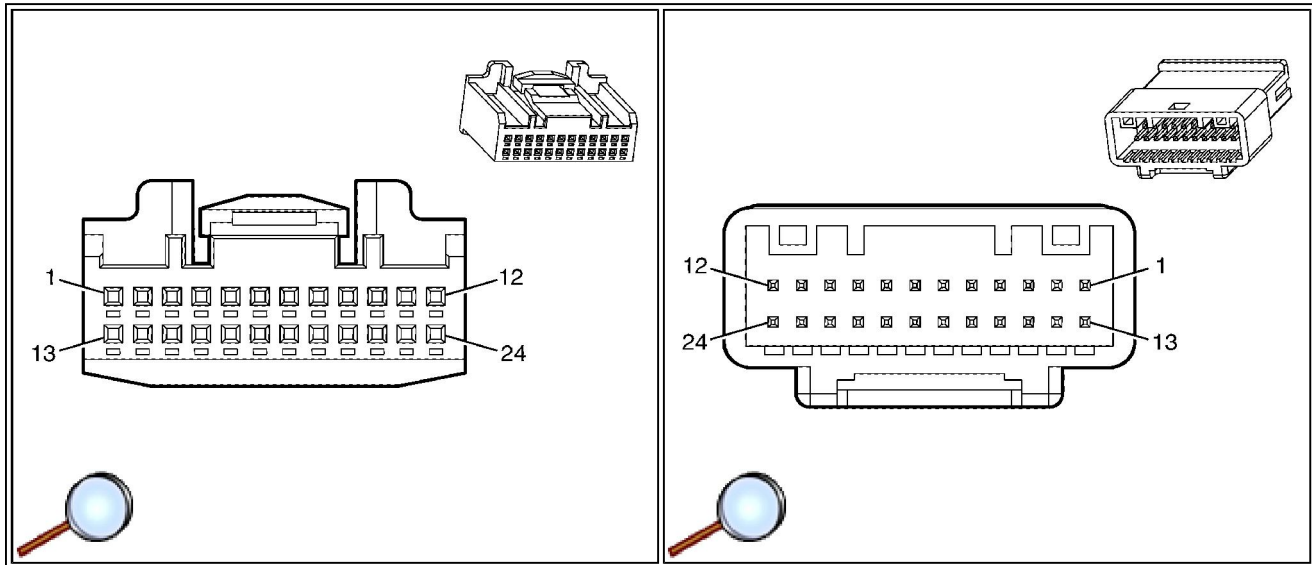
Terminal Part Information

- | Terminal/Tray: See Terminal Repair Kit
- | Core/Insulation Crimp: See Terminal Repair Kit
- | Release Tool/Test Probe: See Terminal Repair Kit

X324 Driver Seat Back to the Driver Seat Harness (AGB)

Pin	Wire Color	Circuit No.	Function	Pin	Wire Color	Circuit No.	Function
1	0.85 RD/YE	768	Driver Seat Lumbar Motor Up Control	1	0.85 RD/YE	768	Driver Seat Lumbar Motor Up Control
2	0.85 YE	276	Driver Seat Recline Motor Forward Control	2	0.85 YE	276	Driver Seat Recline Motor Forward Control
3	0.85 PU/GN	277	Driver Seat Recline Motor Rearward Control	3	0.85 PU/GN	277	Driver Seat Recline Motor Rearward Control
4	0.85 D-GN/RD	767	Driver Seat Lumbar Motor Down Control	4	0.85 D-GN/RD	767	Driver Seat Lumbar Motor Down Control
5	0.3 PU/BU	1062	Driver Seat Lumbar Vertical Position Sensor Signal	5	0.3 PU/BU	1062	Driver Seat Lumbar Vertical Position Sensor Signal
6	0.3 D-BU/YE	1063	Driver Seat Lumbar Horizontal Position Sensor Signal	6	0.3 D-BU/YE	1063	Driver Seat Lumbar Horizontal Position Sensor Signal
7	0.3 BK/OG	1350	Ground	7	0.3 BK/OG	1350	Ground
8	0.3 D-GN/BN	570	Driver Seat Recline Motor Position Sensor Signal	8	0.3 D-GN/BN	570	Driver Seat Recline Motor Position Sensor Signal

X330 Left Seat Harness to the Body Harness



Connector Part Information

- | OEM: 1318917
- | Service: See Catalog
- | Description: 24-Way F

Terminal Part Information

Connector Part Information

- | OEM: 1375103
- | Service: See Catalog
- | Description: 24-Way M

Terminal Part Information

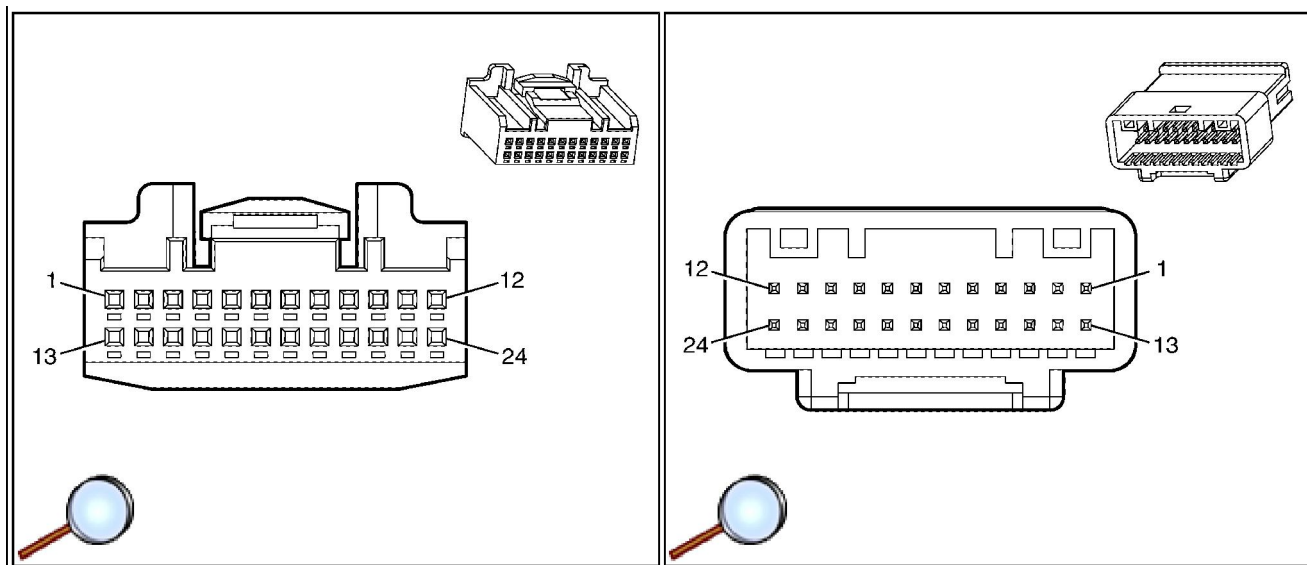
- | Terminal/Tray: See Terminal Repair Kit
- | Core/Insulation Crimp: See Terminal Repair Kit
- | Release Tool/Test Probe: See Terminal Repair Kit

- | Terminal/Tray: See Terminal Repair Kit
- | Core/Insulation Crimp: See Terminal Repair Kit
- | Release Tool/Test Probe: See Terminal Repair Kit

X330 Left Seat Harness to the Body Harness

Pin	Wire Color	Circuit No.	Function	Pin	Wire Color	Circuit No.	Function
1	0.5 OG	6849	Battery Positive	1	0.5 OG	6849	Battery Positive
2	0.5 YE	5845	RS485 TX	2	0.5 YE	5845	RS485 TX
3	0.5 BARE	5339	Shield	3	0.5 BARE	5339	Shield
4	0.5 L-GN	5826	DVD Audio Left Signal (+)	4	0.5 L-GN	5826	DVD Audio Left Signal (+)
5	0.5 D-GN/WH	5828	DVD Audio Right Signal (+)	5	0.5 L-GN/WH	5828	DVD Audio Right Signal (+)
6	0.5 WH	5975	DVD Video Signal (+)	6	0.5 WH	5975	DVD Video Signal (+)
7	0.5 YE	2059	Auxiliary Audio Left Signal (+)	7	0.5 YE	2059	Auxiliary Audio Left Signal (+)
8	0.5 WH/RD	2058	Auxiliary Audio Right Signal (+)	8	0.5 BN/WH	2058	Auxiliary Audio Right Signal (+)
9	0.5 PU	2056	Auxiliary Video Signal (+)	9	0.5 RD	2056	Auxiliary Video Signal (+)
10-12	--	--	Not Used	10-12	--	--	Not Used
13	0.5 L-BU	6873	Ground	13	0.5 L-BU	6873	Ground
14	0.5 D-GN	1098	RS485 RX	14	0.5 D-BU	1098	RS485 RX
15	--	--	Not Used	15	--	--	Not Used
16	0.5 L-GN	5825	DVD Audio Left Signal (-)	16	0.5 BARE	5825	DVD Audio Left Signal (-)
17	0.5 D-GN/WH	5827	DVD Audio Right Signal (-)	17	0.5 BARE	5827	DVD Audio Right Signal (-)
18	0.5 WH	6976	DVD Video Signal (-)	18	0.5 WH	6976	DVD Video Signal (-)
19	0.5 YE	5843	Auxiliary Audio Left Signal (-)	19	0.5 BARE	5843	Auxiliary Audio Left Signal (-)
20	0.5 WH/RD	5345	Auxiliary Audio Right Signal (-)	20	0.5 WH/RD	5345	Auxiliary Audio Right Signal (-)
21	0.5 PU	2057	Auxiliary Video Signal (-)	21	0.5 BARE	2057	Auxiliary Video Signal (-)
22-24	--	--	Not Used	22-24	--	--	Not Used

X331 Right Seat Harness to the Body Harness



Connector Part Information

- | OEM: 1318917
- | Service: See Catalog
- | Description: 24-Way F

Terminal Part Information

- | Terminal/Tray: See Terminal Repair Kit
- | Core/Insulation Crimp: See Terminal Repair Kit
- | Release Tool/Test Probe: See Terminal Repair Kit

Connector Part Information

- | OEM: 1376103
- | Service: See Catalog
- | Description: 24-Way M

Terminal Part Information

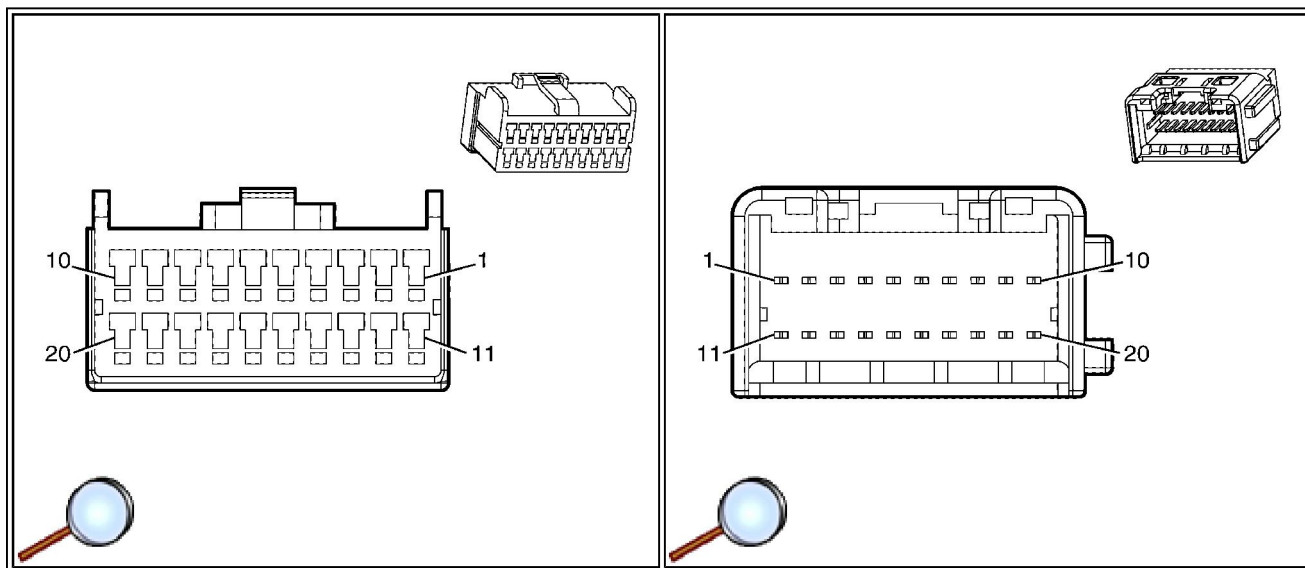
- | Terminal/Tray: See Terminal Repair Kit
- | Core/Insulation Crimp: See Terminal Repair Kit
- | Release Tool/Test Probe: See Terminal Repair Kit

X331 Right Seat Harness to the Body Harness

Pin	Wire Color	Circuit No.	Function	Pin	Wire Color	Circuit No.	Function
1	0.5 OG	6889	Battery Positive	1	0.5 OG	6889	Battery Positive
2	0.5 YE	6900	RS485 TX	2	0.5 YE	6900	RS485 TX
3	0.5 BARE	6904	Shield	3	0.5 BARE	6904	Shield
4	0.5 L-GN	6890	DVD Audio Left Signal (+)	4	0.5 L-GN	6890	DVD Audio Left Signal (+)
5	0.5 L-GN/WH	6891	DVD Audio Right Signal (+)	5	0.5 D-GN/WH	6891	DVD Audio Right Signal (+)
6	0.5 WH	7396	DVD Video Signal (+)	6	0.5 WH	7396	DVD Video Signal (+)
7-12	--	--	Not Used	7-12	--	--	Not Used
13	0.5 L-BU	6903	Ground	13	0.5 L-BU	6903	Ground
14	0.5 D-BU	6901	RS485 RX	14	0.5 D-GN	6901	RS485 RX
15	--	--	Not Used	15	--	--	Not Used
16	0.5 BARE	6892	DVD Audio Left Signal (-)	16	0.5 L-GN	6892	DVD Audio Left Signal (-)

17	0.5 BARE	6979	DVD Audio Right Signal (-)	17	0.5 D-GN/WH	6979	DVD Audio Right Signal (-)
18	0.5 BARE	7394	DVD Video Signal (-)	18	0.5 WH	7394	DVD Video Signal (-)
19-24	--	--	Not Used	19-24	--	--	Not Used

X332 Video Display to the Right Seat Harness



Connector Part Information

- | OEM: 174047-2
- | Service: See Catalog
- | Description: 20-Way F

Terminal Part Information

- | Terminal/Tray: See Terminal Repair Kit
- | Core/Insulation Crimp: See Terminal Repair Kit
- | Release Tool/Test Probe: See Terminal Repair Kit

Connector Part Information

- | OEM: 175652-2
- | Service: See Catalog
- | Description: 20-Way M

Terminal Part Information

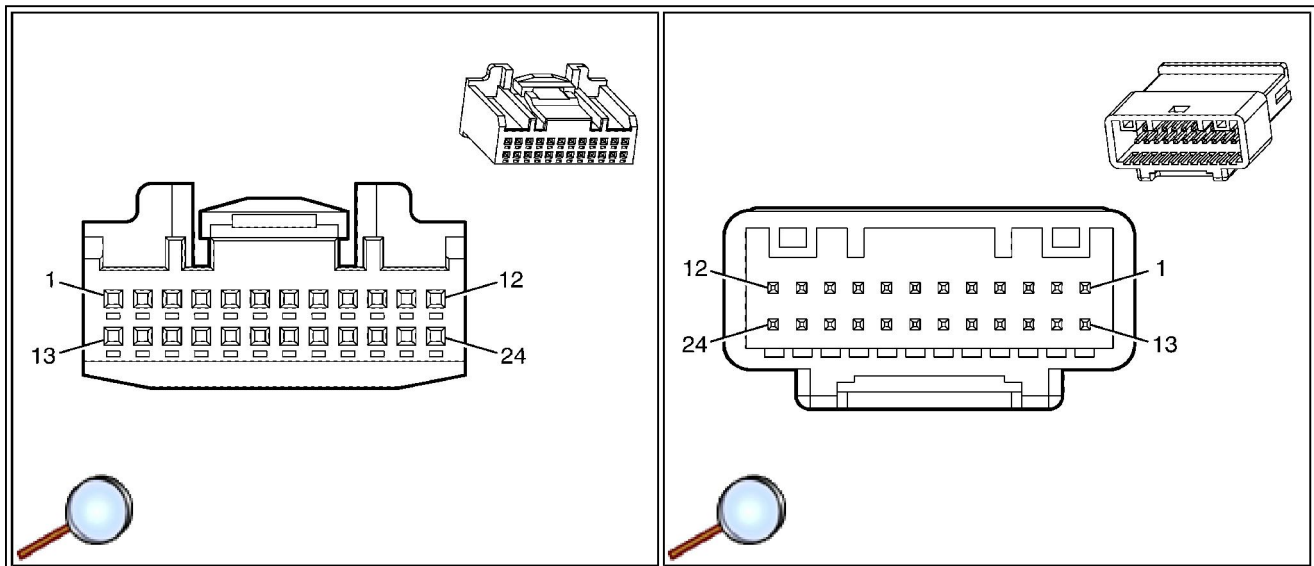
- | Terminal/Tray: See Terminal Repair Kit
- | Core/Insulation Crimp: See Terminal Repair Kit
- | Release Tool/Test Probe: See Terminal Repair Kit

X332 Video Display to the Right Seat Harness

Pin	Wire Color	Circuit No.	Function	Pin	Wire Color	Circuit No.	Function
1	0.18 L-GN	6890	DVD Audio Left Signal (+)	1	0.18 L-GN	6890	DVD Audio Left Signal (+)
2	0.18 D-GN/WH	6891	DVD Audio Right Signal (+)	2	0.18 D-GN/WH	6891	DVD Audio Right Signal (+)
3	0.18 BARE	6904	Shield	3	0.18 BARE	6904	Shield
4	0.18 WH	7396	DVD Video Signal (+)	4	0.18 WH	7396	DVD Video Signal (+)

5	0.18 WH	7394	DVD Video Signal (-)	5	0.18 WH	7394	DVD Video Signal (-)
6-7	--	--	Not Used	6-7	--	--	Not Used
8	0.18 OG	6889	Battery Positive	8	0.18 OG	6889	Battery Positive
9	0.18 L-BU	6890	Ground	9	0.18 L-BU	6890	Ground
10	0.18 PU	2057	Auxiliary Video Signal (-)	10	0.18 PU	2057	Auxiliary Video Signal (-)
11	0.18 L-GN	6892	DVD Audio Left Signal (-)	11	0.18 L-GN	6892	DVD Audio Left Signal (-)
12	0.18 D-GN/WH	6979	DVD Audio Right Signal (-)	12	0.18 D-GN/WH	6979	DVD Audio Right Signal (-)
13	--	--	Not Used	13	--	--	Not Used
14	0.18 D-GN	6901	RS485 RX	14	0.18 D-GN	6901	RS485 RX
15	0.18 YE	6900	RS485 TX	15	0.18 YE	6900	RS485 TX
16	--	--	Not Used	16	--	--	Not Used
17	0.18 YE	2059	Auxiliary Audio Left Signal (+)	17	0.18 YE	2059	Auxiliary Audio Left Signal (+)
18	0.18 YE	5843	Auxiliary Audio Left Signal (-)	18	0.18 YE/BK	5843	Auxiliary Audio Left Signal (-)
	0.18 WH/RD	5345	Auxiliary Audio Right Signal (-)		0.18 WH/RD	5345	Auxiliary Audio Right Signal (-)
19	0.18 WH/RD	2058	Auxiliary Audio Right Signal (+)	19	0.18 WH/RD	2058	Auxiliary Audio Right Signal (+)
20	0.18 PU	2056	Auxiliary Video Signal (+)	20	0.18 PU	2056	Auxiliary Video Signal (+)

X333 Left Seat Harness to the Body Harness



Connector Part Information

Connector Part Information

- | OEM: 1318917
- | Service: See Catalog
- | Description: 24-Way F

- | OEM: 1376103
- | Service: See Catalog
- | Description: 24-Way M

Terminal Part Information

Terminal Part Information

- | Terminal/Tray: See Terminal Repair Kit
- | Core/Insulation Crimp: See Terminal Repair Kit
- | Release Tool/Test Probe: See Terminal Repair Kit

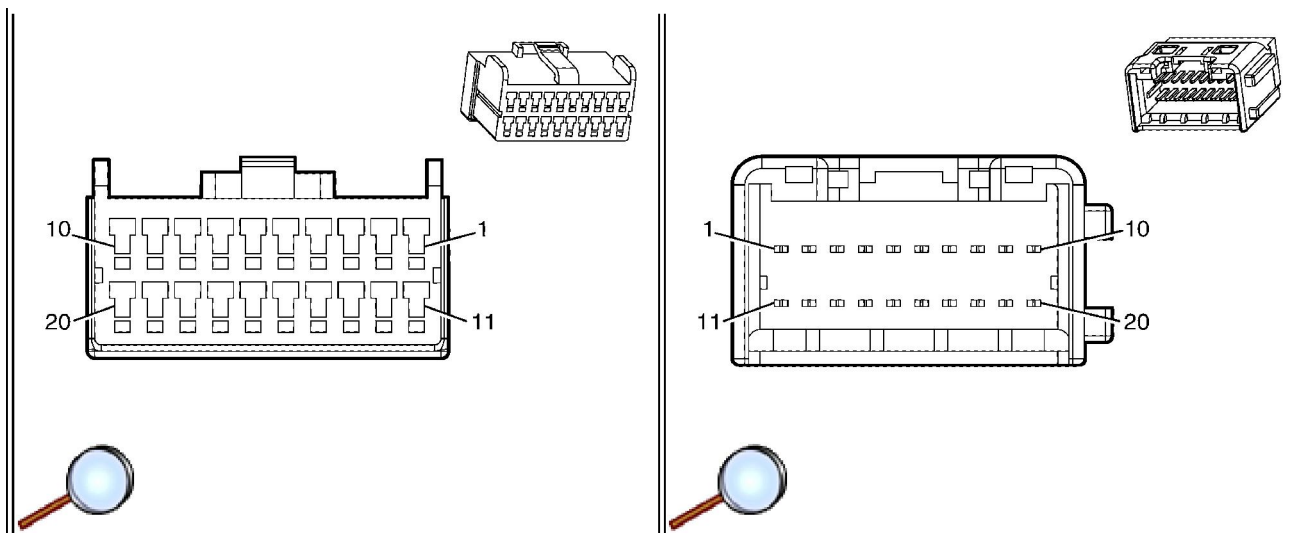
- | Terminal/Tray: See Terminal Repair Kit
- | Core/Insulation Crimp: See Terminal Repair Kit
- | Release Tool/Test Probe: See Terminal Repair Kit

X333 Left Seat Harness to the Body Harness

Pin	Wire Color	Circuit No.	Function	Pin	Wire Color	Circuit No.	Function
1	0.18 OG	6849	Battery Positive	1	0.5 OG	6849	Battery Positive
2	0.18 YE	5845	RS485 TX	2	0.5 YE	5845	RS485 TX
3	0.18 BARE	5339	Shield	3	0.5 BARE	5339	Shield
4	0.18 L-GN	5826	DVD Audio Left Signal (+)	4	0.5 L-GN	5826	DVD Audio Left Signal (+)
5	0.18 D-GN/WH	5828	DVD Audio Right Signal (+)	5	0.5 L-GN/WH	5828	DVD Audio Right Signal (+)
6	0.18 WH	6975	DVD Video Signal (+)	6	0.5 WH	6975	DVD Video Signal (+)
7-12	--	--	Not Used	7-12	--	--	Not Used
13	0.18 L-BU	6873	Ground	13	0.5 L-BU	6873	Ground
14	0.18 D-GN	1098	RS485 RX	14	0.5 D-BU	1098	RS485 RX
15	--	--	Not Used	15	--	--	Not Used
16	0.18 L-GN	5825	DVD Audio Left Signal (-)	16	0.5 BARE	5825	DVD Audio Left Signal (-)
17	0.18 D-GN/WH	5827	DVD Audio Right Signal (-)	17	0.5 BARE	5827	DVD Audio Right Signal (-)
18	0.18 WH	6976	DVD Video Signal (-)	18	0.5 BARE	6976	DVD Video Signal (-)
19-24	--	--	Not Used	19-24	--	--	Not Used

X335 Video Display Assembly to the Body Harness

--	--



Connector Part Information

- | OEM: 174047-2
- | Service: See Catalog
- | Description: 20-Way F

Terminal Part Information

- | Terminal/Tray: See Terminal Repair Kit
- | Core/Insulation Crimp: See Terminal Repair Kit
- | Release Tool/Test Probe: See Terminal Repair Kit

Connector Part Information

- | OEM: 175652-2
- | Service: See Catalog
- | Description: 20-Way M

Terminal Part Information

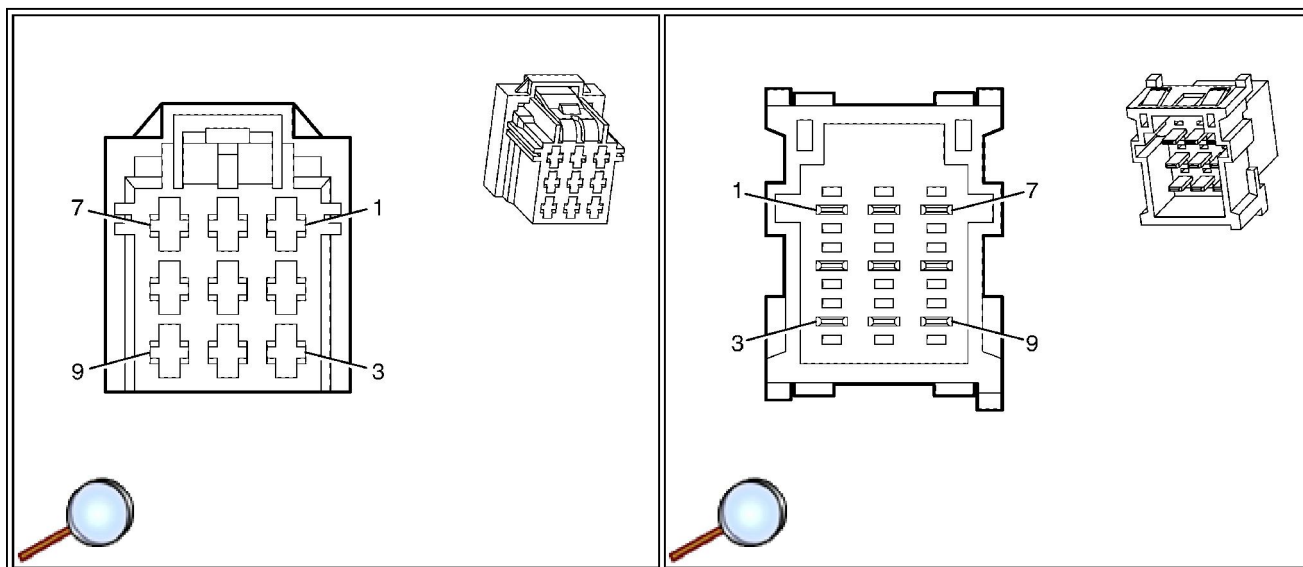
- | Terminal/Tray: See Terminal Repair Kit
- | Core/Insulation Crimp: See Terminal Repair Kit
- | Release Tool/Test Probe: See Terminal Repair Kit

X335 Video Display Assembly to the Body Harness

Pin	Wire Color	Circuit No.	Function	Pin	Wire Color	Circuit No.	Function
1	0.18 L-GN	5826	DVD Audio Left Signal (+)	1	0.18 L-GN	5826	DVD Audio Left Signal (+)
2	0.18 D-GN/WH	5828	DVD Audio Right Signal (+)	2	0.18 D-GN/WH	5828	DVD Audio Right Signal (+)
3	0.18 BARE	5339	Shield	3	0.18 BARE	5339	Shield
4	0.18 WH	6975	DVD Video Signal (+)	4	0.18 WH	6975	DVD Video Signal (+)
5	0.18 WH	6976	DVD Video Signal (-)	5	0.18 WH	6976	DVD Video Signal (-)
6-7	--	--	Not Used	6-7	--	--	Not Used
8	0.18 OG	6849	Battery Positive	8	0.18 OG	6849	Battery Positive
9-10	--	--	Not Used	9-10	--	--	Not Used
11	0.18 L-GN	5825	DVD Audio Left Signal (-)	11	0.18 L-GN	5825	DVD Audio Left Signal (-)
12	0.18 D-GN/WH	5827	DVD Audio Right Signal (-)	12	0.18 D-GN/WH	5827	DVD Audio Right Signal (-)

13	0.18 L-BU	6903	Ground	13	0.18 L-BU	6903	Ground
14	0.18 D-GN	6901	RS485 RX	14	0.18 D-GN	6901	RS485 RX
15	0.18 YE	6900	RS485 TX	15	0.18 YE	6900	RS485 TX
16-20	--	--	Not Used	16-20	--	--	Not Used

X344 Inside Rearview Mirror Harness to the I/P Harness



Connector Part Information

- | OEM: 7283-3603
- | Service: See Catalog
- | Description: 9-Way F (WH)

Terminal Part Information

- | Terminal/Tray: See Terminal Repair Kit
- | Core/Insulation Crimp: See Terminal Repair Kit
- | Release Tool/Test Probe: See Terminal Repair Kit

Connector Part Information

- | OEM: 7182-0220
- | Service: See Catalog
- | Description: 9-Way M (WH)

Terminal Part Information

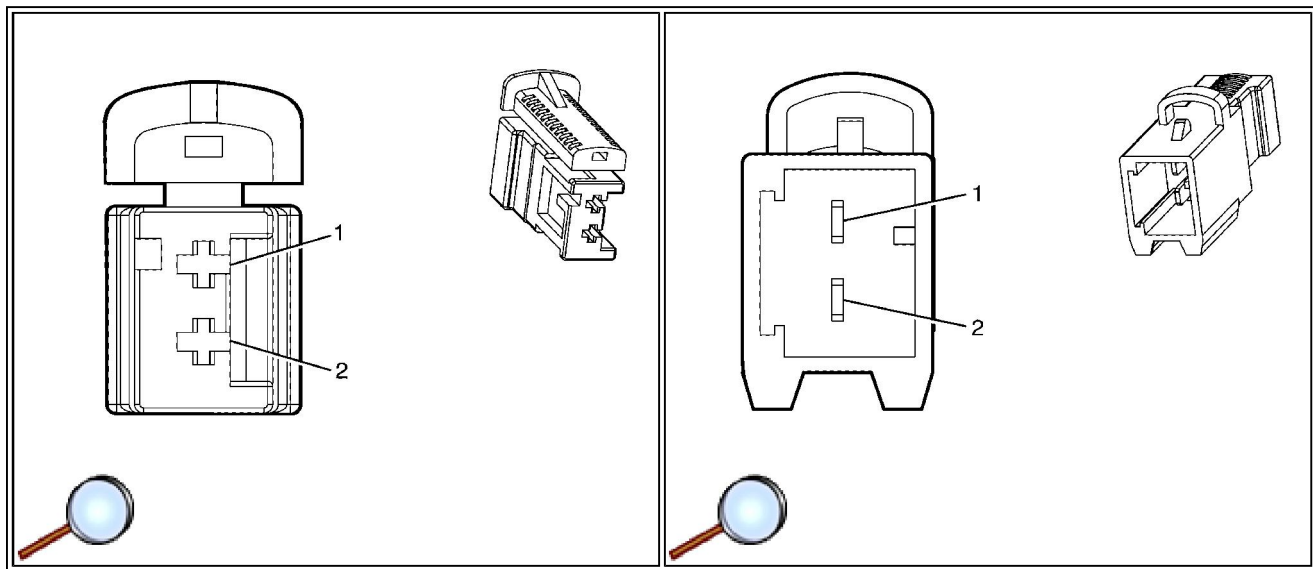
- | Terminal/Tray: See Terminal Repair Kit
- | Core/Insulation Crimp: See Terminal Repair Kit
- | Release Tool/Test Probe: See Terminal Repair Kit

X344 Inside Rearview Mirror Harness to the I/P Harness

Pin	Wire Color	Circuit No.	Function	Pin	Wire Color	Circuit No.	Function
1	0.3 PK	654	Cellular Telephone Microphone Low Reference	1	0.3 PK	654	Cellular Telephone Microphone Low Reference
2	0.3 BN/WH	2517	Keypad Red LED Signal	2	0.3 BN/WH	2517	Keypad Red LED Signal
3	0.3 L-GN/BK	2515	Keypad Supply Voltage	3	0.3 L-GN/BK	2515	Keypad Supply Voltage

4	0.3 D-GN	655	Cellular Microphone Signal	4	0.3 D-GN	655	Cellular Microphone Signal
5	0.3 YE/BK	2516	Keypad Green LED Signal	5	0.3 YE/BK	2516	Keypad Green LED Signal
6	0.3 D-GN/WH	2514	Keypad Signal	6	0.3 D-GN/WH	2514	Keypad Signal
7	0.3 L-GN	24	Backup Lamp Supply Voltage	7	0.3 L-GN	24	Backup Lamp Supply Voltage
8	0.5 BN	443	Accessory Voltage	8	0.5 BN	443	Accessory Voltage
9	0.5 BK	1450	Ground	9	0.5 BK	1450	Ground

X355 Body Harness to the Driver Seat Harness



Connector Part Information

- | OEM: 174460-2
- | Service: See Catalog
- | Description: 2-Way F

Terminal Part Information

- | Terminal/Tray: See Terminal Repair Kit
- | Core/Insulation Crimp: See Terminal Repair Kit
- | Release Tool/Test Probe: See Terminal Repair Kit

Connector Part Information

- | OEM: 174463-2
- | Service: See Catalog
- | Description: 2-Way M

Terminal Part Information

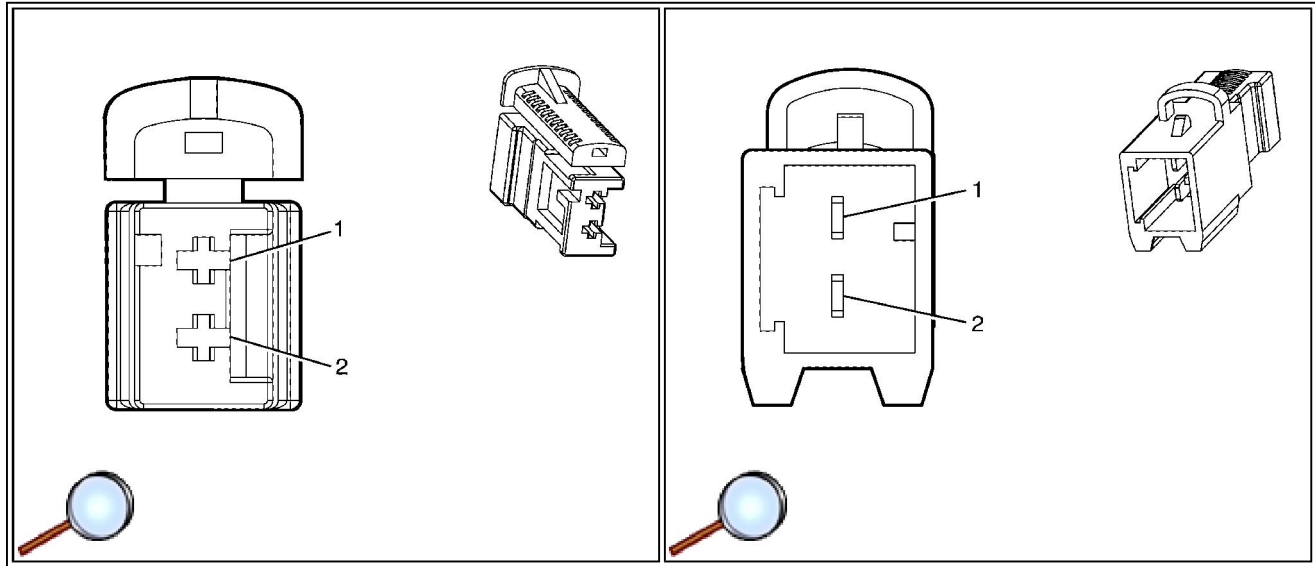
- | Terminal/Tray: See Terminal Repair Kit
- | Core/Insulation Crimp: See Terminal Repair Kit
- | Release Tool/Test Probe: See Terminal Repair Kit

X355 Body Harness to the Driver Seat Harness

Pin	Wire Color	Circuit No.	Function	Pin	Wire Color	Circuit No.	Function
1	0.3 L-GN	2118	Seat Belt Pretensioner - High Control	1	0.3 L-GN	2118	Seat Belt Pretensioner - High Control

2	0.3 OG	2119	Seat Belt Pretensioner - Low Control	2	0.3 OG	2119	Seat Belt Pretensioner - Low Control
---	--------	------	--------------------------------------	---	--------	------	--------------------------------------

X356 Body Harness to the Passenger Seat Harness



Connector Part Information

- | OEM: 174460-2
- | Service: See Catalog
- | Description: 2-Way F

Terminal Part Information

- | Terminal/Tray: See Terminal Repair Kit
- | Core/Insulation Crimp: See Terminal Repair Kit
- | Release Tool/Test Probe: See Terminal Repair Kit

Connector Part Information

- | OEM: 174463-2
- | Service: See Catalog
- | Description: 2-Way M

Terminal Part Information

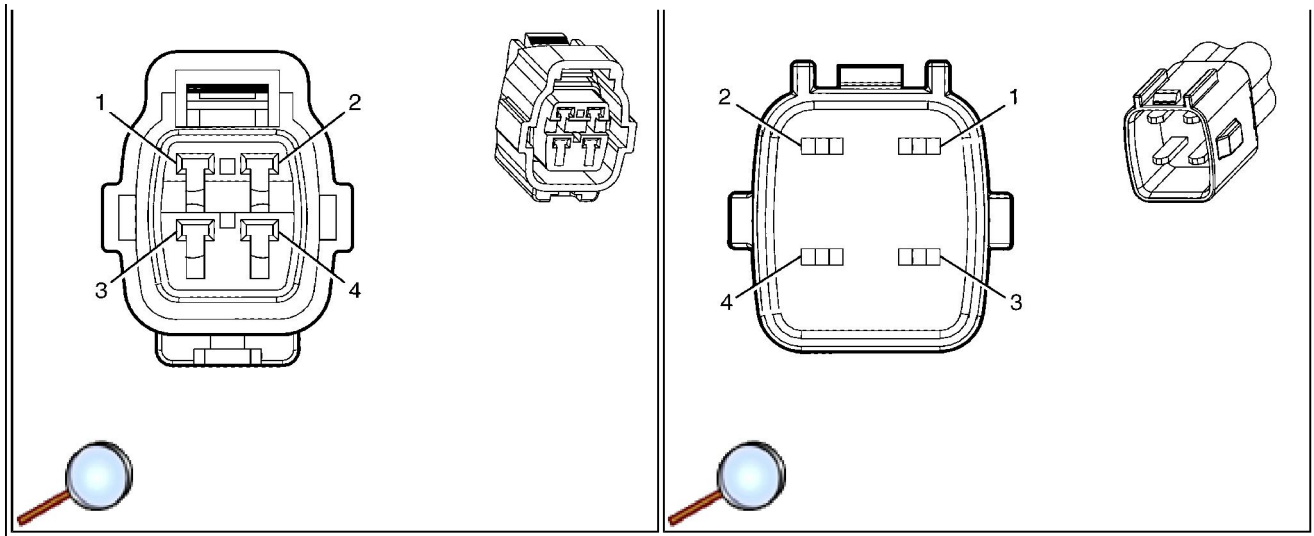
- | Terminal/Tray: See Terminal Repair Kit
- | Core/Insulation Crimp: See Terminal Repair Kit
- | Release Tool/Test Probe: See Terminal Repair Kit

X356 Body Harness to the Passenger Seat Harness

Pin	Wire Color	Circuit No.	Function	Pin	Wire Color	Circuit No.	Function
1	0.3 BK/WH	2116	Seat Belt Pretensioner - High Control	1	0.3 BK/WH	2116	Seat Belt Pretensioner - High Control
2	0.3 OG/BK	2117	Seat Belt Pretensioner - Low Control	2	0.3 OG/BK	2117	Seat Belt Pretensioner - Low Control

X360 Body Harness to the Rear Wheel Speed Sensors

--	--



Connector Part Information

- | OEM: 7283-7040-40
- | Service: See Catalog
- | Description: 4-Way F (BK)

Terminal Part Information

- | Terminal/Tray: 7116-4025/11
- | Core/Insulation Crimp: E/1
- | Release Tool/Test Probe: 15313892/J-35616-18 (BK)

Connector Part Information

- | OEM: 7282-7040-40
- | Service: See Catalog
- | Description: 4-Way M 090 II Series Sealed (BK)

Terminal Part Information

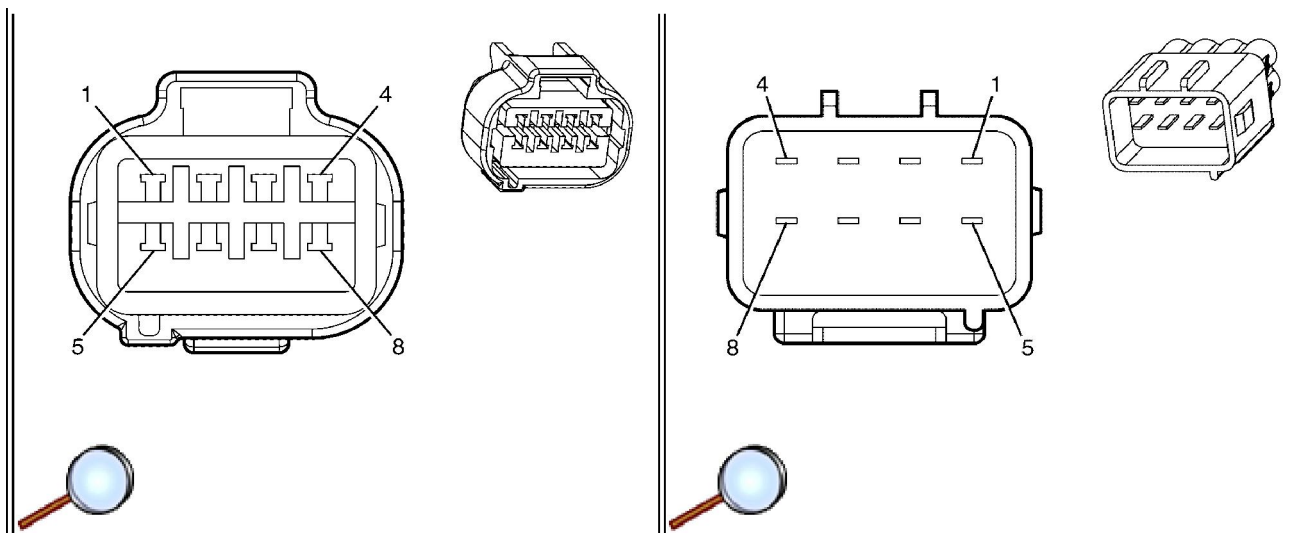
- | Terminal/Tray: See Terminal Repair Kit
- | Core/Insulation Crimp: See Terminal Repair Kit
- | Release Tool/Test Probe: See Terminal Repair Kit

X360 Body Harness to the Rear Wheel Speed Sensors

Pin	Wire Color	Circuit No.	Function	Pin	Wire Color	Circuit No.	Function
1	0.5 BN/BK	884	Left Rear Wheel Speed Sensor Signal	1	0.5 BN/BK	884	Left Rear Wheel Speed Sensor Signal
2	0.5 BN	882	Right Rear Wheel Speed Sensor Signal	2	0.5 BN	882	Right Rear Wheel Speed Sensor Signal
3	0.5 GY	7127	Left Rear Wheel Speed Sensor Supply Voltage	3	0.5 GY	7127	Left Rear Wheel Speed Sensor Supply Voltage
4	0.5 GY	7128	Right Rear Wheel Speed Sensor Supply Voltage	4	0.5 GY	7128	Right Rear Wheel Speed Sensor Supply Voltage

X361 Rear Axle Harness to the Body Harness

--	--



Connector Part Information

- | OEM: 7283-7080-40
- | Service: See Catalog
- | Description: 8-Way F

Terminal Part Information

- | Terminal/Tray: See Terminal Repair Kit
- | Core/Insulation Crimp: See Terminal Repair Kit
- | Release Tool/Test Probe: See Terminal Repair Kit

Connector Part Information

- | OEM: 7282-7080-40
- | Service: See Catalog
- | Description: 8-Way M

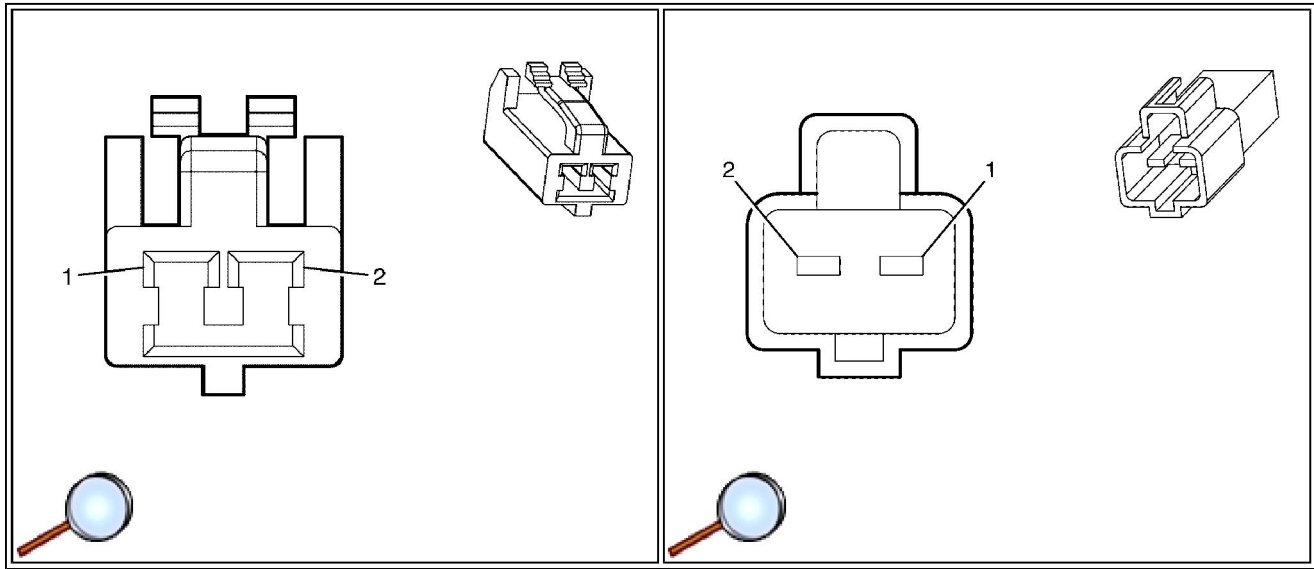
Terminal Part Information

- | Terminal/Tray: See Terminal Repair Kit
- | Core/Insulation Crimp: See Terminal Repair Kit
- | Release Tool/Test Probe: See Terminal Repair Kit

X361 Rear Axle Harness to the Body Harness

Pin	Wire Color	Circuit No.	Function	Pin	Wire Color	Circuit No.	Function
1	0.3 L-GN/BK	5209	Headlamp Leveling Sensor Wire 1	1	0.3 L-GN/BK	5209	Headlamp Leveling Sensor Wire 1
2	0.3 OG/BK	5208	Headlamp Leveling Sensor Wire 2	2	0.3 OG/BK	5208	Headlamp Leveling Sensor Wire 2
3	0.5 BN	882	Right Rear Wheel Speed Sensor Signal	3	0.5 BN	882	Right Rear Wheel Speed Sensor Signal
4	0.5 BN/BK	884	Left Rear Wheel Speed Sensor Signal	4	0.5 BN/BK	884	Left Rear Wheel Speed Sensor Signal
5	0.3 L-GN/WH	5210	Headlamp Leveling Sensor Wire 3	5	0.3 L-GN/WH	5210	Headlamp Leveling Sensor Wire 3
6	--	--	Not Used	6	--	--	Not Used
7	0.5 GY	7128	Right Rear Wheel Speed Sensor Supply Voltage	7	0.5 GY	7128	Right Rear Wheel Speed Sensor Supply Voltage
8	0.5 GY	7127	Left Rear Wheel Speed Sensor Supply Voltage	8	0.5 GY	7127	Left Rear Wheel Speed Sensor Supply Voltage

X402 Body Harness to the Decklid Harness



Connector Part Information

- | OEM: 7283-1028-40
- | Service: See Catalog
- | Description: 2-Way F 090 II Series (GY)

Terminal Part Information

- | Pin: 1
- | Terminal/Tray: 7116-4021/11
- | Core/Insulation Crimp: E/A
- | Release Tool/Test Probe: 15315247/J-35616-18 (BK)
- | Pin: 2
- | Terminal/Tray: 7116-4020/11
- | Core/Insulation Crimp: E/C
- | Release Tool/Test Probe: 15315247/J-35616-18 (BK)

Connector Part Information

- | OEM: 7282-1028-40
- | Service: See Catalog
- | Description: 2-Way M 090 II Series (GY)

Terminal Part Information

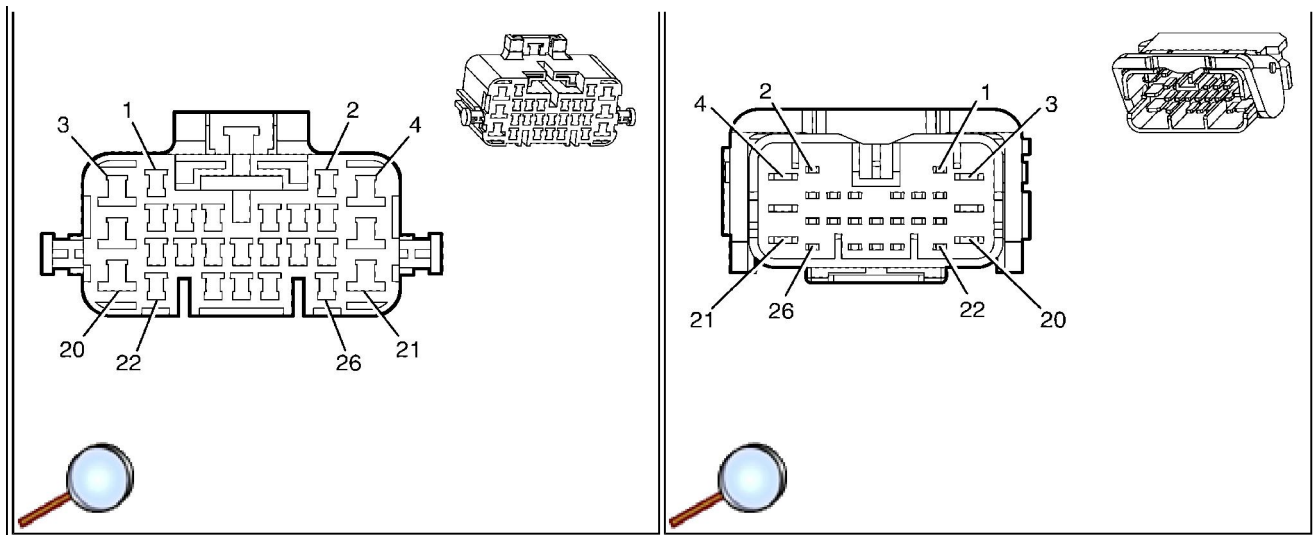
- | Terminal/Tray: See Terminal Repair Kit
- | Core/Insulation Crimp: See Terminal Repair Kit
- | Release Tool/Test Probe: See Terminal Repair Kit

X402 Body Harness to the Decklid Harness

Pin	Wire Color	Circuit No.	Function	Pin	Wire Color	Circuit No.	Function
1	0.85 BN/WH	309	Lamp Supply Voltage	1	0.5 BN/WH	309	Right Park Lamp Supply Voltage
2	0.5 BK	1350	Ground	2	0.5 BK	1350	Ground

X403 Rear Body Harness to the Body Harness





Connector Part Information

- | OEM: 7283-1965
- | Service: See Catalog
- | Description: 26-Way F 090 II Series (WH)

Connector Part Information

- | OEM: 7282-1965
- | Service: See Catalog
- | Description: 26-Way M (WH)

Terminal Part Information

- | Pins: 1, 5, 7, 15, 16, 22-24
- | Terminal/Tray: 7116-4020/11
- | Core/Insulation Crimp: E/C
- | Release Tool/Test Probe: 15315247/J-35616-18 (BK)
- | Pin: 25
- | Terminal/Tray: 7116-4021/11
- | Core/Insulation Crimp: E/A
- | Release Tool/Test Probe: 15315247/J-35616-18 (BK)
- | Pins: 11, 20
- | Terminal/Tray: 7116-4031/11
- | Core/Insulation Crimp: C/A
- | Release Tool/Test Probe: 12094430/J-35616-40 (BU)
- | Pins: 12, 21
- | Terminal/Tray: 7116-4032/11
- | Core/Insulation Crimp: A/F
- | Release Tool/Test Probe: 12094430/J-35616-40 (BU)

Terminal Part Information

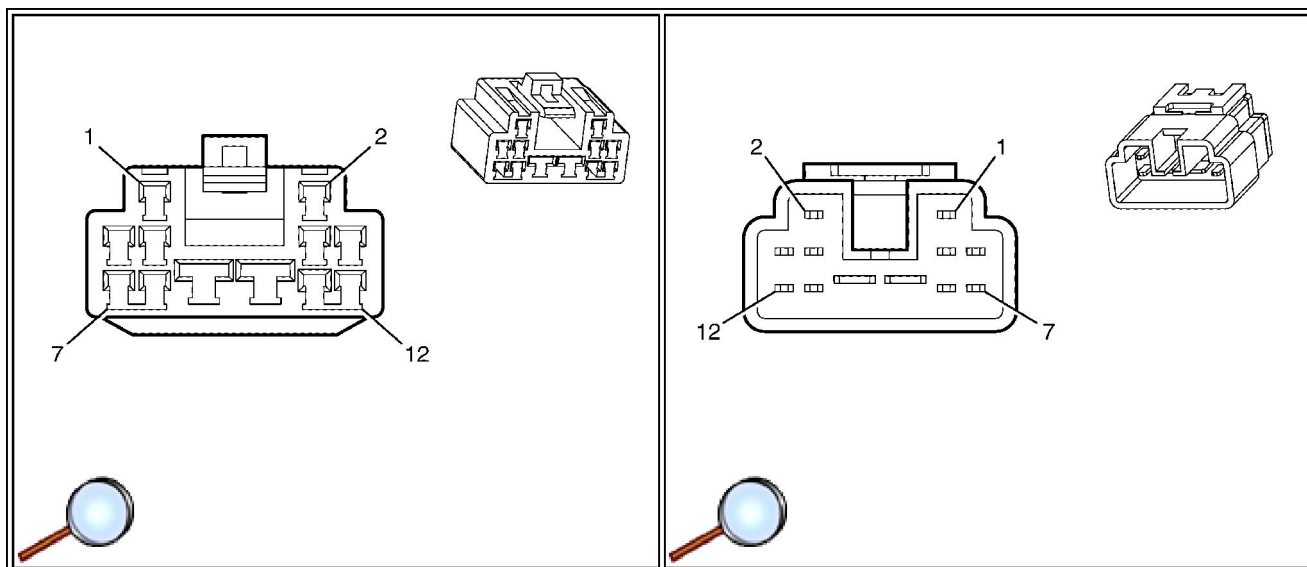
- | Pins: 1, 5, 7, 15, 16, 22-24
- | Terminal/Tray: 7114-4020/10
- | Core/Insulation Crimp: E/C
- | Release Tool/Test Probe: 15315247/J-35616-19 (BK)
- | Pin: 25
- | Terminal/Tray: 7114-4021/10
- | Core/Insulation Crimp: E/A
- | Release Tool/Test Probe: 15315247/J-35616-19 (BK)
- | Pins: 11, 20
- | Terminal/Tray: 7114-4031/11
- | Core/Insulation Crimp: C/A
- | Release Tool/Test Probe: 12094430/J-35616-41 (BU)
- | Pins: 12, 21
- | Terminal/Tray: 7114-4032/11
- | Core/Insulation Crimp: A/G
- | Release Tool/Test Probe: 12094430/J-35616-41 (BU)
- | Pin: 25
- | Terminal/Tray: 7114-4021/10
- | Core/Insulation Crimp: E/A
- | Release Tool/Test Probe: 15315247/J-

35616-19 (BK)

X403 Rear Body Harness to the Body Harness

Pin	Wire Color	Circuit No.	Function	Pin	Wire Color	Circuit No.	Function
1	--	--	Not Used	1	--	--	Not Used
2	0.3 D-GN	2377	RR Middle Object Sensor Signal	2	0.3 D-GN	2377	RR Middle Object Sensor Signal
3-6	--	--	Not Used	3-6	--	--	Not Used
7	0.5 BN/WH	5077	Lamp Supply Voltage	7	0.5 BN/WH	5077	Lamp Supply Voltage
8	0.3 BN	309	Low Reference	8	0.3 BN	309	Low Reference
9	0.3 GY	2379	Object Sensor Low Reference	9	0.3 GY	2379	Object Sensor Low Reference
10	0.3 OG	2376	LR Middle Object Sensor Signal	10	0.3 OG	2376	LR Middle Object Sensor Signal
11	1.25 OG/BU	4340	Battery Positive Voltage	11	1.25 OG/BU	4340	Battery Positive Voltage
12	3 OG/WH	2040	Battery Positive Voltage	12	3 OG/WH	2040	Battery Positive Voltage
13	0.5 OG/YE	4540	Battery Positive Voltage	13	0.5 OG/YE	4540	Battery Positive Voltage
14-15	--	--	Not Used	14-15	--	--	Not Used
16	0.3 BK	1850	Ground	16	0.3 BK	1850	Ground
17	0.3 PK	5076	5-Volt Reference	17	0.3 PK	5076	5-Volt Reference
18	0.3 PU	2378	RR Corner Object Sensor Signal	18	0.3 PU	2378	RR Corner Object Sensor Signal
19	0.3 YE	2375	LR Corner Object Sensor Signal	19	0.3 YE	2375	LR Corner Object Sensor Signal
20	0.85 OG/BK	540	Battery Positive Voltage	20	0.85 OG/BK	540	Battery Positive Voltage
21	3 OG/GN	2840	Battery Positive Voltage	21	3 OG/GN	2840	Battery Positive Voltage
22	0.5 OG/WH	2340	Battery Positive Voltage	22	0.5 OG/WH	2340	Battery Positive Voltage
23	0.85 BN/WH	5075	Rear Compartment Lid Release Actuator	23	0.85 BN/WH	5075	Rear Compartment Lid Release Actuator
24	0.3 OG/BU	2440	Battery Positive Voltage	24	0.3 OG/BU	2440	Battery Positive Voltage
25	0.3 WH/GN	56	Battery Current Signal	25	0.3 WH/GN	56	Battery Current Signal
26	0.3 D-BU	2374	Object Sensor Supply Voltage	26	0.3 D-BU	2374	Object Sensor Supply Voltage

X404 Body Harness to the Rear Body Harness



Connector Part Information

- | OEM: 7283-1128
- | Service: See Catalog
- | Description: 12-Way F (WH)

Terminal Part Information

- | Pin: 1
- | Terminal/Tray: 7116-4021/10
- | Core/Insulation Crimp: 2/A
- | Release Tool/Test Probe: 15315247/J-35616-19 (BK)

- | Pins: 2-8
- | Terminal/Tray: 7116-4021/10
- | Core/Insulation Crimp: E/A
- | Release Tool/Test Probe: 15315247/J-35616-19 (BK)

- | Pins: 11, 12
- | Terminal/Tray: 7116-4020/10
- | Core/Insulation Crimp: E/C
- | Release Tool/Test Probe: 15315247/J-35616-19 (BK)

Connector Part Information

- | OEM: 7282-1128
- | Service: See Catalog
- | Description: 12-Way M 090 II Series (WH)

Terminal Part Information

- | Pin: 1
- | Terminal/Tray: 7114-4021/10
- | Core/Insulation Crimp: 2/A
- | Release Tool/Test Probe: 15315247/J-35616-19 (BK)

- | Pins: 2-3, 5, 6, 8
- | Terminal/Tray: 7114-4021/10
- | Core/Insulation Crimp: E/A
- | Release Tool/Test Probe: 15315247/J-35616-19 (BK)

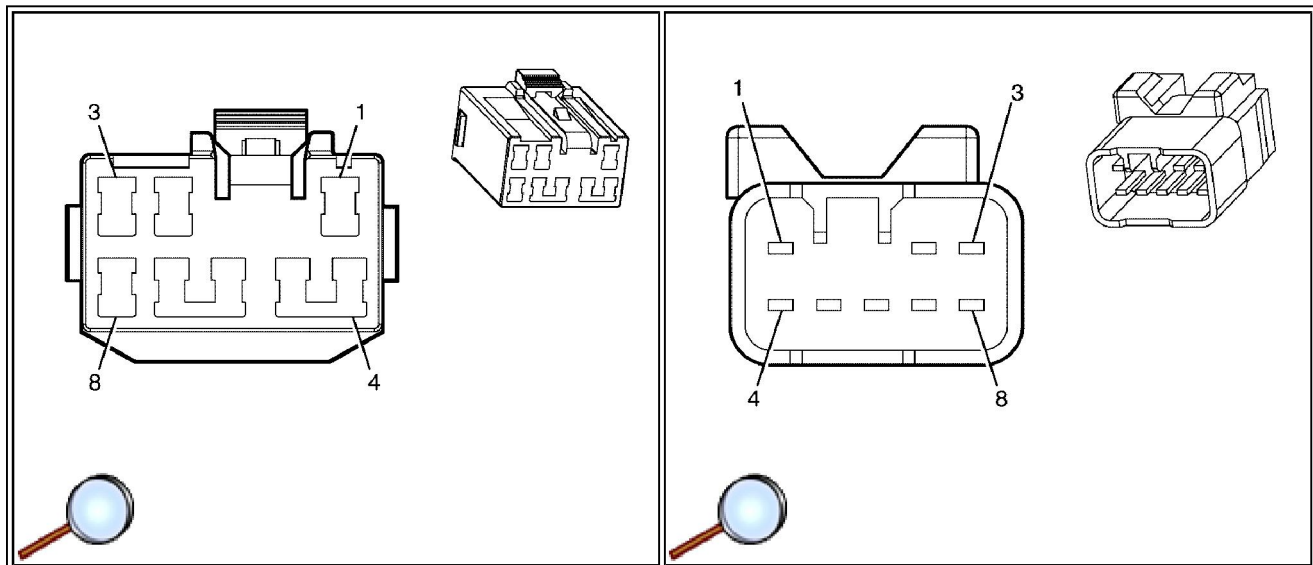
- | Pins: 4, 7, 11, 12
- | Terminal/Tray: 7114-4020/10
- | Core/Insulation Crimp: E/C
- | Release Tool/Test Probe: 15315247/J-35616-19 (BK)

X404 Body Harness to the Rear Body Harness

Pin	Wire Color	Circuit No.	Function	Pin	Wire Color	Circuit No.	Function
1	1.25 L-BU	20	Stop Lamp Supply Voltage	1	1.25 L-BU	20	Stop Lamp Supply Voltage
2	0.85 L-GN	24	Backup Lamp Supply Voltage	2	0.85 L-GN	24	Backup Lamp Supply Voltage
			Right Rear Turn				Right Rear Turn

3	0.85 D-GN/WH	1335	Signal Lamp Supply Voltage	3	0.85 D-GN/WH	1335	Signal Lamp Supply Voltage
4	0.85 BN/WH	309	Lamp Supply Voltage	4	0.5 BN/WH	309	Lamp Supply Voltage
5	0.85 PU	709	Left Park Lamp Supply Voltage	5	0.85 PU	709	Left Park Lamp Supply Voltage
6	0.85 YE/BK	1334	Left Rear Turn Signal Lamp Supply Voltage	6	0.85 YE/BK	1334	Left Rear Turn Signal Lamp Supply Voltage
7	0.85 BK/WH	1851	Ground	7	0.3 BK/WH	1851	Ground
8	0.85 BK	1851	Ground	8	0.85 BK/WH	1850	Ground
9-10	--	--	Not Used	9-10	--	--	Not Used
11	0.3 OG/BK	744	Rear Compartment Lid Ajar Switch Signal	11	0.3 OG/BK	744	Rear Compartment Lid Ajar Switch Signal
12	0.5 D-BU	737	Rear Compartment Lamp Control	12	0.5 D-BU	737	Rear Compartment Lamp Control

X405 X405 Body Harness to the Rear Compartment Harness (F19)



Connector Part Information

- | OEM: 7283-1080
- | Service: See Catalog
- | Description: 8-Way F

Terminal Part Information

- | Terminal/Tray: See Terminal Repair Kit
- | Core/Insulation Crimp: See Terminal

Connector Part Information

- | OEM: 7282-1080
- | Service: See Catalog
- | Description: 8-Way M

Terminal Part Information

- | Terminal/Tray: See Terminal Repair Kit
- | Core/Insulation Crimp: See Terminal

Repair Kit

- | Release Tool/Test Probe: See Terminal Repair Kit

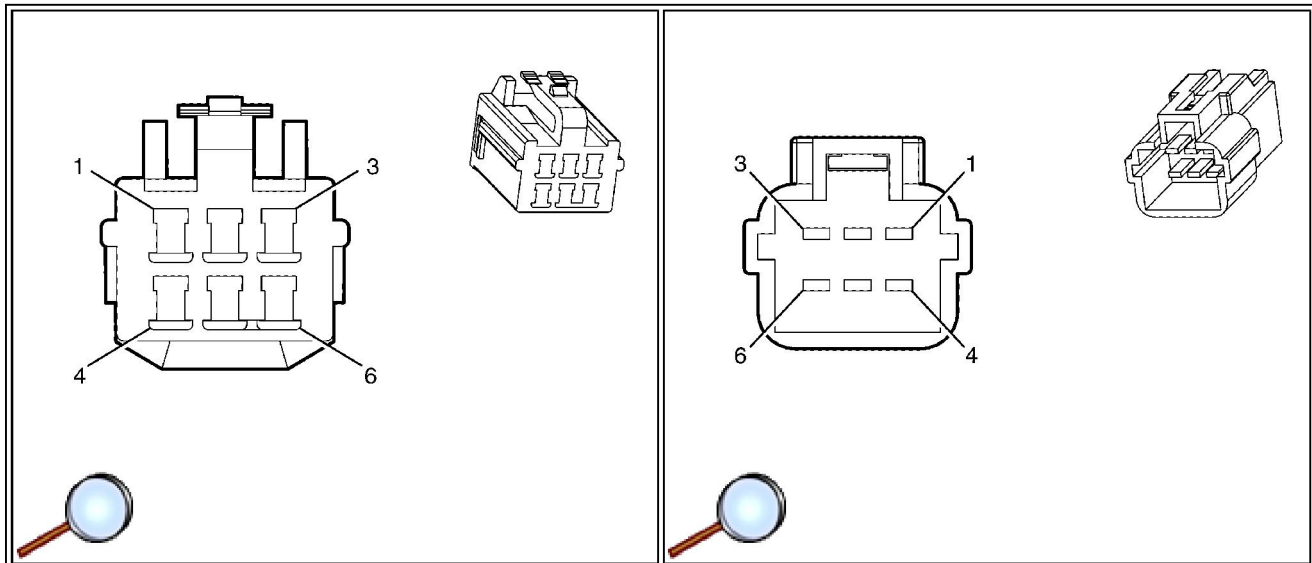
Repair Kit

- | Release Tool/Test Probe: See Terminal Repair Kit

X405 X405 Body Harness to the Rear Compartment Harness (F19)

Pin	Wire Color	Circuit No.	Function	Pin	Wire Color	Circuit No.	Function
1	0.3 OG	2376	LR Middle Object Sensor Signal	1	0.3 OG	2376	LR Middle Object Sensor Signal
2	0.3 YE	2375	LR Corner Object Sensor Signal	2	0.3 YE	2375	LR Corner Object Sensor Signal
3	0.5 BN/WH	309	Lamp Supply Voltage	3	0.5 BN/WH	309	Lamp Supply Voltage
4	0.3 GY	2379	Object Sensor Low Reference	4	0.3 GY	2379	Object Sensor Low Reference
5	0.3 PU	2378	RR Corner Object Sensor Signal	5	0.3 PU	2378	RR Corner Object Sensor Signal
6	0.3 D-BU	2374	Object Sensor Supply Voltage	6	0.3 D-BU	2374	Object Sensor Supply Voltage
7	0.3 D-GN	2377	RR Middle Object Sensor Signal	7	0.3 D-GN	2377	RR Middle Object Sensor Signal
8	0.3 BK	1850	Ground	8	0.3 BK	1850	Ground

X405 Body Harness to the Rear Compartment Harness (F69 without T79)



Connector Part Information

- | OEM: 7283-1068
- | Service: See Catalog
- | Description: 6-Way F

Connector Part Information

- | OEM: 7282-1068
- | Service: See Catalog
- | Description: 6-Way M

Terminal Part Information

- | Terminal/Tray: See Terminal Repair Kit
- | Core/Insulation Crimp: See Terminal Repair Kit
- | Release Tool/Test Probe: See Terminal Repair Kit

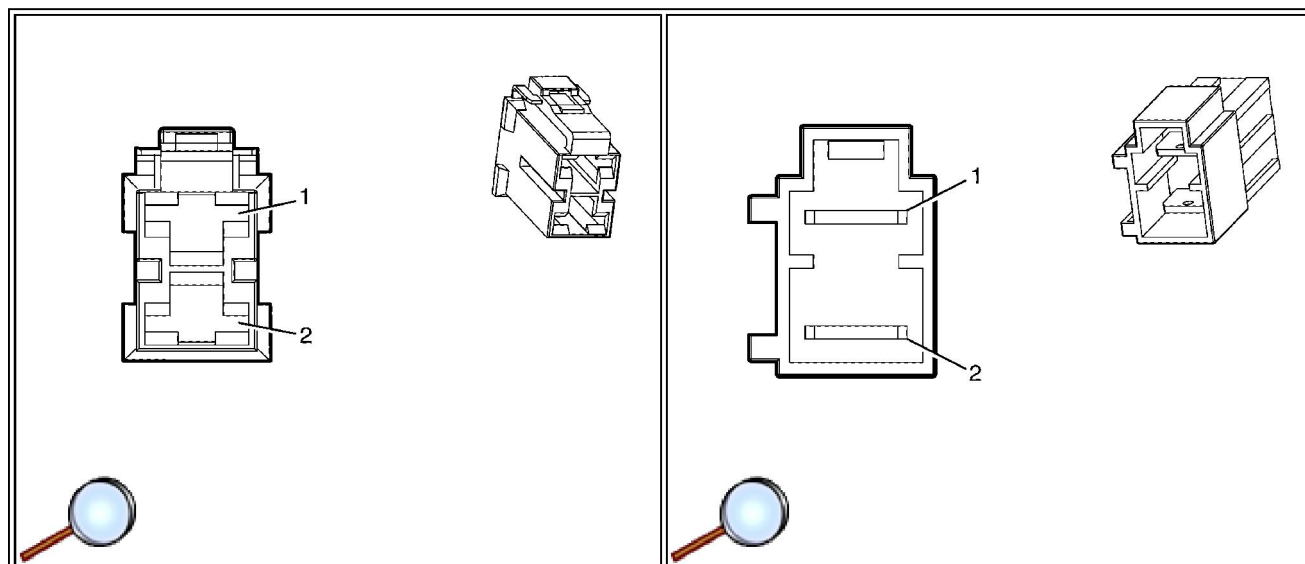
Terminal Part Information

- | Terminal/Tray: See Terminal Repair Kit
- | Core/Insulation Crimp: See Terminal Repair Kit
- | Release Tool/Test Probe: See Terminal Repair Kit

X405 Body Harness to the Rear Compartment Harness (F69 without T79)

Pin	Wire Color	Circuit No.	Function	Pin	Wire Color	Circuit No.	Function
1	0.3 OG	2376	LR Middle Object Sensor Signal	1	0.3 OG	2376	LR Middle Object Sensor Signal
2	0.3 YE	2375	LR Corner Object Sensor Signal	2	0.3 YE	2375	LR Corner Object Sensor Signal
3	0.3 D-BU	2374	Object Sensor Supply Voltage	3	0.3 D-BU	2374	Object Sensor Supply Voltage
4	0.3 GY	2379	Object Sensor Low Reference	4	0.3 GY	2379	Object Sensor Low Reference
5	0.3 PU	2378	RR Corner Object Sensor Signal	5	0.3 PU	2378	RR Corner Object Sensor Signal
6	0.3 D-GN	2377	RR Middle Object Sensor Signal	6	0.3 D-GN	2377	RR Middle Object Sensor Signal

X408 Battery Cable to the Body Harness



Connector Part Information

- | OEM: 7123-4123-30
- | Service: 88953301
- | Description: 2-Way F L Type (BK)

Connector Part Information

- | OEM: 7122-4123-30
- | Service: See Catalog
- | Description: 2-Way M 58 L-Type (BK)

Terminal Part Information

- | Terminal/Tray: See Terminal Repair Kit
- | Core/Insulation Crimp: See Terminal Repair Kit
- | Release Tool/Test Probe: See Terminal Repair Kit

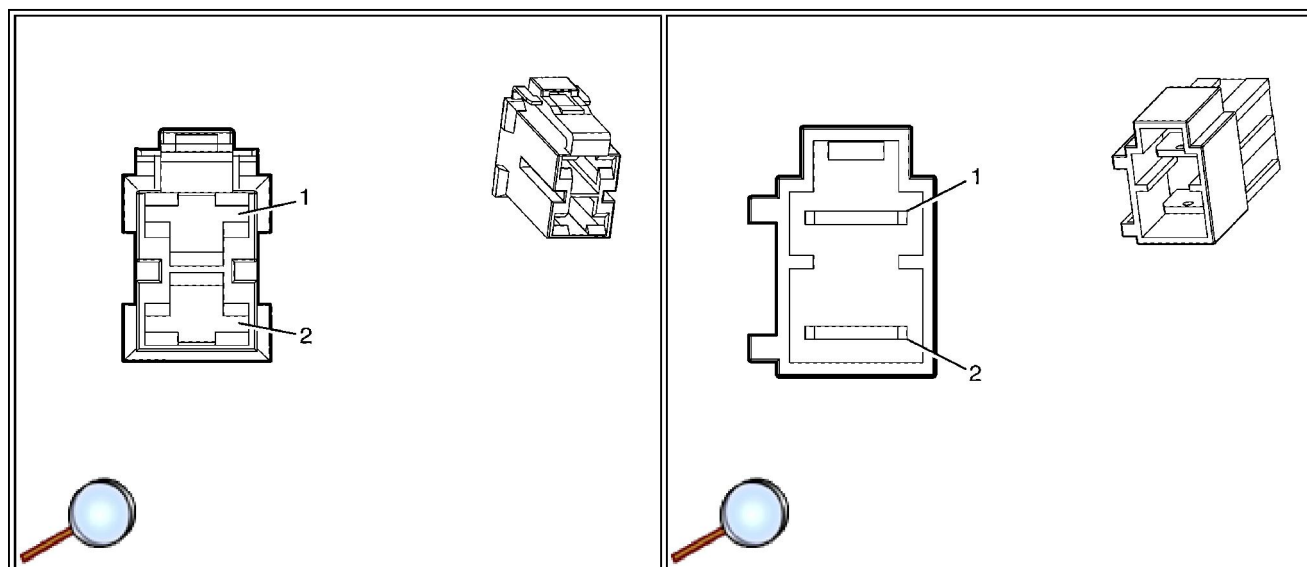
Terminal Part Information

- | Terminal/Tray: 7114-3250/14
- | Core/Insulation Crimp: G/3
- | Release Tool/Test Probe: 12094430/J-35616-21 (RD)

X408 Battery Cable to the Body Harness

Pin	Wire Color	Circuit No.	Function	Pin	Wire Color	Circuit No.	Function
1	8 RD/BK	1042	Battery Positive Voltage	1	5 RD/BK	1042	Battery Positive Voltage
2	5 RD/BK	1242	Battery Positive Voltage	2	5 RD/BK	9242	Battery Positive Voltage

X412 Rear Body Harness to the Rear Body Harness



Connector Part Information

- | OEM: 7123-4129-90
- | Service: See Catalog
- | Description: 2-Way F (BU)

Connector Part Information

- | OEM: 7122-4129-90
- | Service: See Catalog
- | Description: 2-Way M (BU)

Terminal Part Information

- | Terminal/Tray: 7116-3250/10
- | Core/Insulation Crimp: G/3
- | Release Tool/Test Probe: 12094430/J-35616-22 (RD)

Terminal Part Information

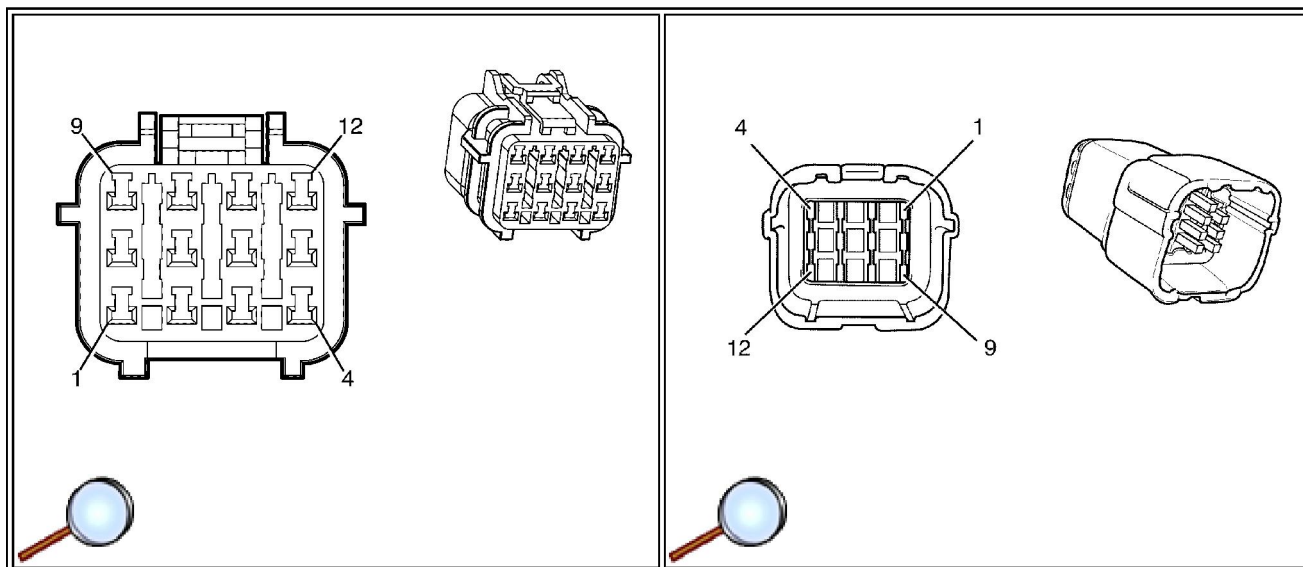
- | Terminal/Tray: 7116-3250/10
- | Core/Insulation Crimp: G/3
- | Release Tool/Test Probe: 12094430/J-35616-22 (RD)

X412 Rear Body Harness to the Rear Body Harness

Wire	Circuit	Wire	Circuit

Pin	Color	No.	Function	Pin	Color	No.	Function
1	5 RD/BK	9242	Battery Positive Voltage	1	5 RD/BK	1242	Battery Positive Voltage
2	--	--	Not Used	2	--	--	Not Used

X413 Electronic Stability Control Harness to the Fuel Tank Harness (HSV)



Connector Part Information

- | OEM: 7123-7923-30
- | Service: See Catalog
- | Description: 12-Way F

Terminal Part Information

- | Terminal/Tray: See Terminal Repair Kit
- | Core/Insulation Crimp: See Terminal Repair Kit
- | Release Tool/Test Probe: See Terminal Repair Kit

Connector Part Information

- | OEM: 7222-7933-30
- | Service: See Catalog
- | Description: 12-Way M

Terminal Part Information

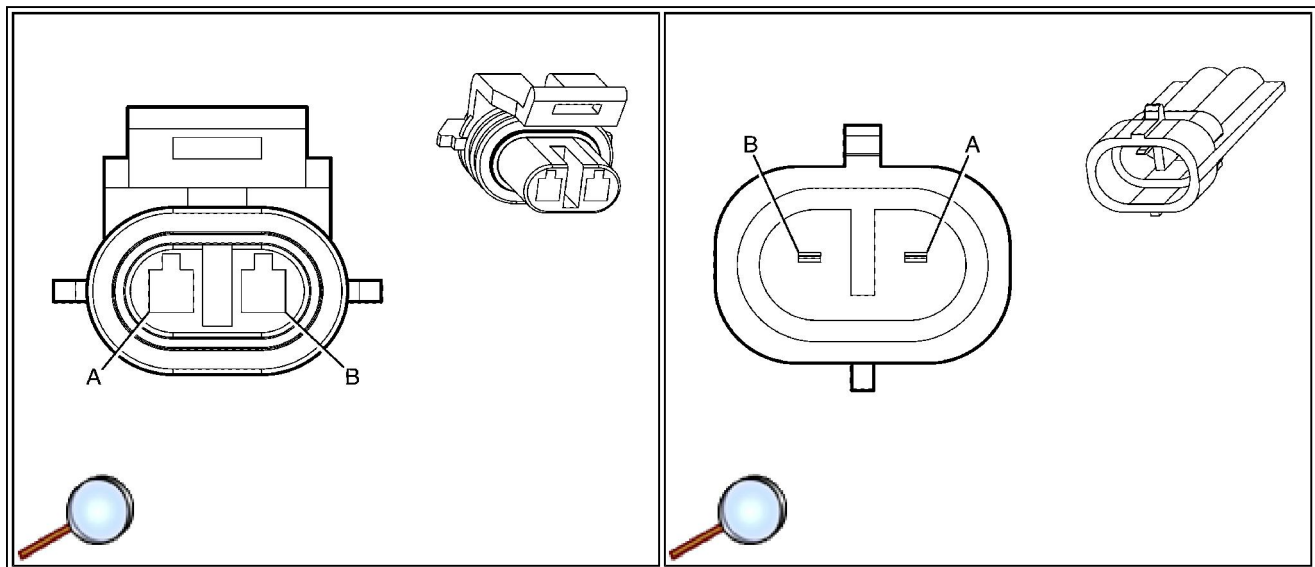
- | Terminal/Tray: See Terminal Repair Kit
- | Core/Insulation Crimp: See Terminal Repair Kit
- | Release Tool/Test Probe: See Terminal Repair Kit

X413 Electronic Stability Control Harness to the Fuel Tank Harness (HSV)

Pin	Wire Color	Circuit No.	Function	Pin	Wire Color	Circuit No.	Function
1	0.35 GY/BU	1208	Left Rear Suspension Position Sensor Voltage Reference	1	0.35 GY/BU	1208	Left Rear Suspension Position Sensor Voltage Reference
2	0.35 GY	1210	Left Rear Suspension Position Sensor Signal	2	0.35 GY	1210	Left Rear Suspension Position Sensor Signal
	0.35		Left Rear Suspension		0.35		Left Rear Suspension

3	GY/BK	1209	Position Sensor Low Reference	3	GY/BK	1209	Position Sensor Low Reference
4	0.75 WH/BK	1115	Left Rear Damper Low Reference	4	0.75 WH/BK	1115	Left Rear Damper Low Reference
5	0.75 WH/RD	1114	Left Rear Damper Control	5	0.75 WH/RD	1114	Left Rear Damper Control
6	0.35 BN/WH	1214	Right Rear Suspension Position Sensor Voltage Reference	6	0.35 BN/WH	1214	Right Rear Suspension Position Sensor Voltage Reference
7	0.35 BN	1216	Right Rear Suspension Position Sensor Signal	7	0.35 BN	1216	Right Rear Suspension Position Sensor Signal
8	0.35 BN/BK	1215	Right Rear Suspension Position Sensor Low Reference	8	0.35 BN/BK	1215	Right Rear Suspension Position Sensor Low Reference
9	0.75 L-GN/BK	1119	Right Rear Damper Low Reference	9	0.75 L-GN/BK	1119	Right Rear Damper Low Reference
10	0.75 L-GN/RD	1118	Right Rear Damper Control	10	0.75 L-GN/RD	1118	Right Rear Damper Control
11-12	--	--	Not Used	11-12	--	--	Not Used

X415 (HSV) (Pigtail?)



Connector Part Information

- | OEM:
- | Service: See Catalog
- | Description: 2-Way F

Connector Part Information

- | OEM:
- | Service: See Catalog
- | Description: 2-Way M

Terminal Part Information

Terminal Part Information

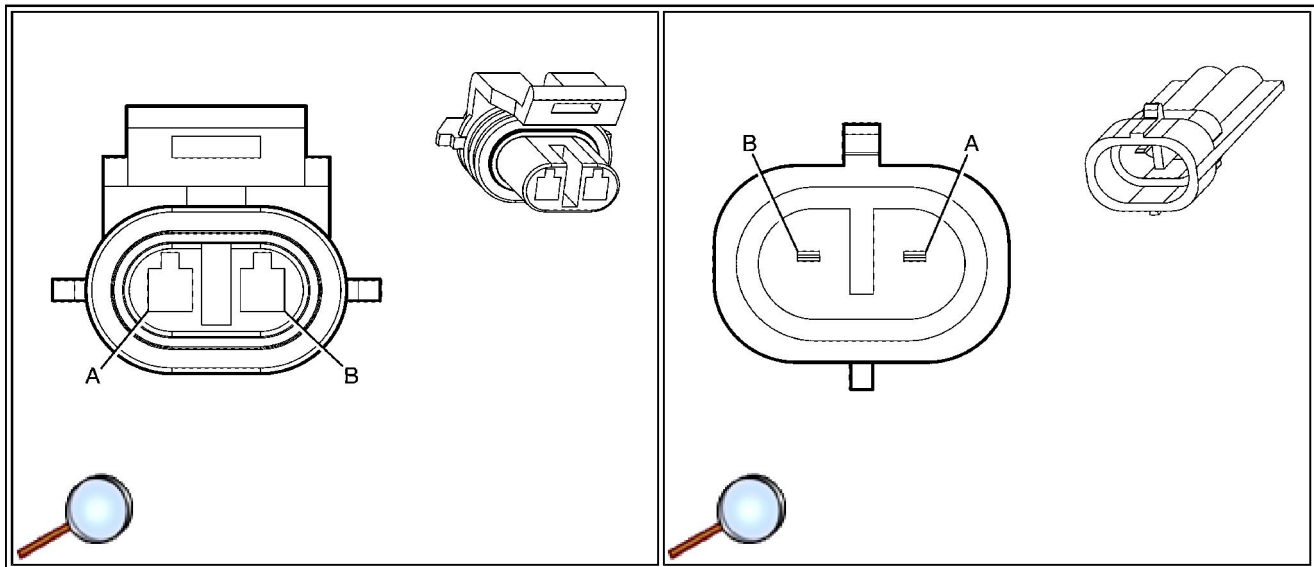
- | Terminal/Tray: See Terminal Repair Kit
- | Core/Insulation Crimp: See Terminal Repair Kit
- | Release Tool/Test Probe: See Terminal Repair Kit

- | Terminal/Tray: See Terminal Repair Kit
- | Core/Insulation Crimp: See Terminal Repair Kit
- | Release Tool/Test Probe: See Terminal Repair Kit

X415 (HSV) (Pigtail?)

Pin	Wire Color	Circuit No.	Function	Pin	Wire Color	Circuit No.	Function
A	0.75 WH/RD	1118	Right Rear Damper Control	A	0.75 L-GN/RD	1118	Right Rear Damper Control
B	0.75 WH/BK	1119	Right Rear Damper Low Reference	B	0.75 L-GN/BK	1119	Right Rear Damper Low Reference

X416 (HSV) (Pigtail?)



Connector Part Information

- | OEM:
- | Service: See Catalog
- | Description: 2-Way F

Terminal Part Information

- | Terminal/Tray: See Terminal Repair Kit
- | Core/Insulation Crimp: See Terminal Repair Kit
- | Release Tool/Test Probe: See Terminal Repair Kit

Connector Part Information

- | OEM:
- | Service: See Catalog
- | Description: 2-Way M

Terminal Part Information

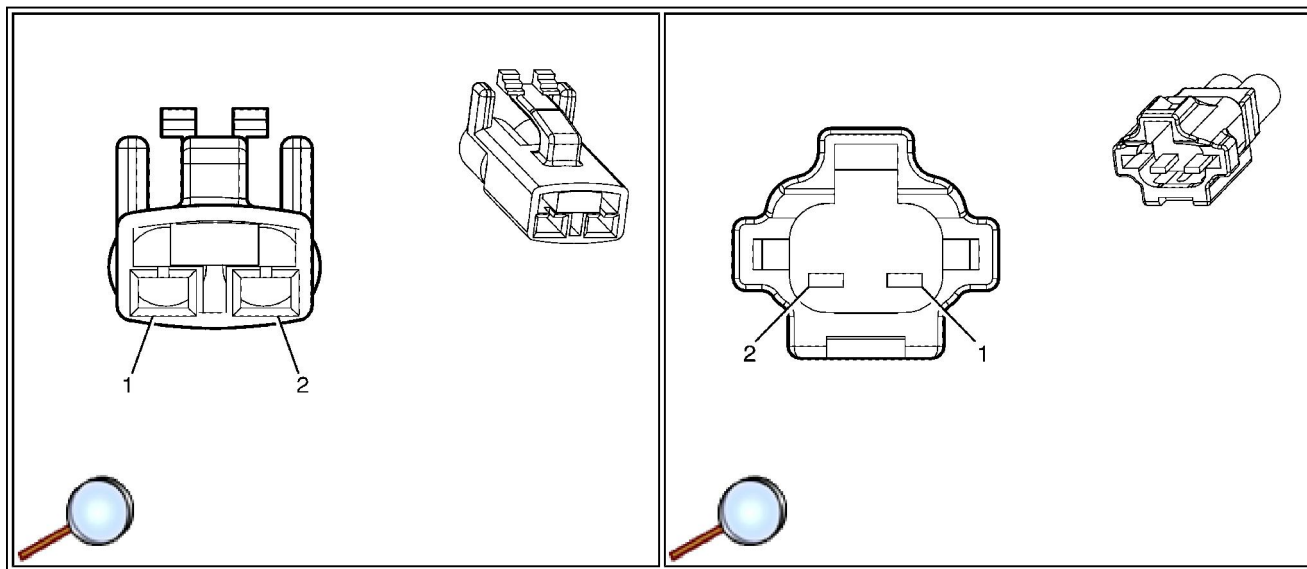
- | Terminal/Tray: See Terminal Repair Kit
- | Core/Insulation Crimp: See Terminal Repair Kit
- | Release Tool/Test Probe: See Terminal Repair Kit

X416 (HSV) (Pigtail?)

Pin	Wire Color	Circuit No.	Function	Pin	Wire Color	Circuit No.	Function

A	0.75 WH/RD	1114	Left Rear Damper Control	A	0.75 WH/RD	1114	Left Rear Damper Control
B	0.75 WH/BK	1115	Left Rear Damper Low Reference	B	0.75 WH/BK	1115	Left Rear Damper Low Reference

X433 Rear Fascia Harness to the License Lamp Harness (WM)



Connector Part Information

- | OEM: 7283-7420-40
- | Service: See Catalog
- | Description: 2-Way F (GY)

Terminal Part Information

- | Terminal/Tray: See Terminal Repair Kit
- | Core/Insulation Crimp: See Terminal Repair Kit
- | Release Tool/Test Probe: See Terminal Repair Kit

Connector Part Information

- | OEM: 7282-7420-40
- | Service: See Catalog
- | Description: 2-Way M 090 II Series Sealed (GY)

Terminal Part Information

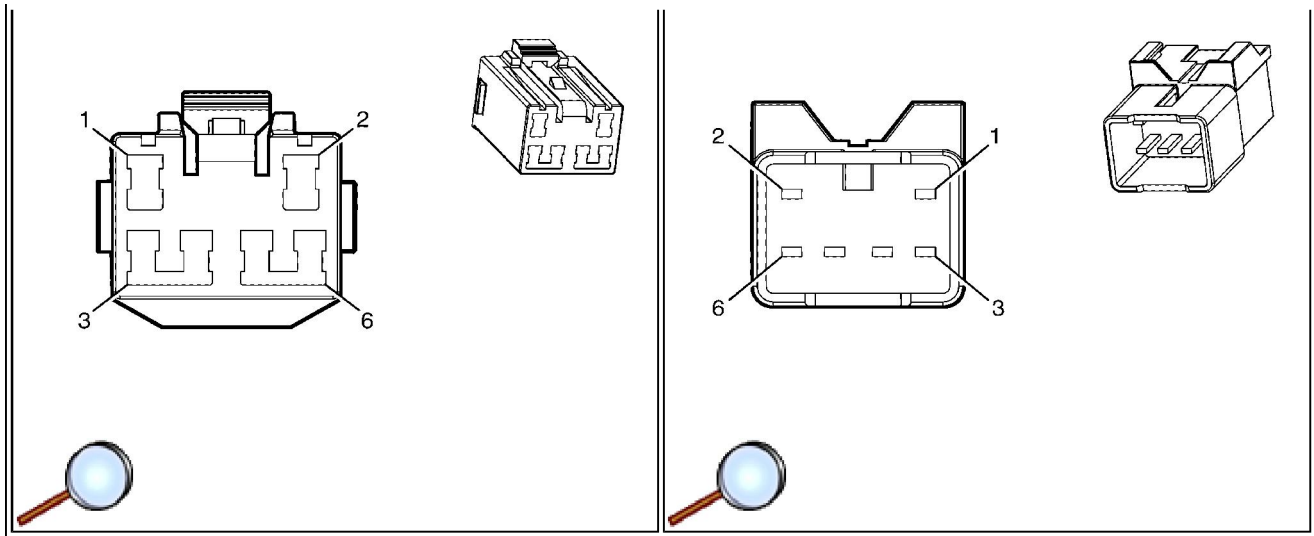
- | Terminal/Tray: See Terminal Repair Kit
- | Core/Insulation Crimp: See Terminal Repair Kit
- | Release Tool/Test Probe: See Terminal Repair Kit

X433 Rear Fascia Harness to the License Lamp Harness (WM)

Pin	Wire Color	Circuit No.	Function	Pin	Wire Color	Circuit No.	Function
1	0.5 BK	1850	Ground	1	0.5 BK	1850	Ground
2	0.5 BN/WH	309	Lamp Supply Voltage	2	0.5 BN/WH	309	Lamp Supply Voltage

X450 Rear Body Harness to the Right Rear Tail Lamp Assembly

--	--



Connector Part Information

- | OEM: 7283-0637
- | Service: See Catalog
- | Description: 6-Way F 090 Series (WH)

Terminal Part Information

- | Terminal/Tray: See Terminal Repair Kit
- | Core/Insulation Crimp: See Terminal Repair Kit
- | Release Tool/Test Probe: See Terminal Repair Kit

Connector Part Information

- | OEM: 936268-1
- | Service: See Catalog
- | Description: 6-Way M (WH)

Terminal Part Information

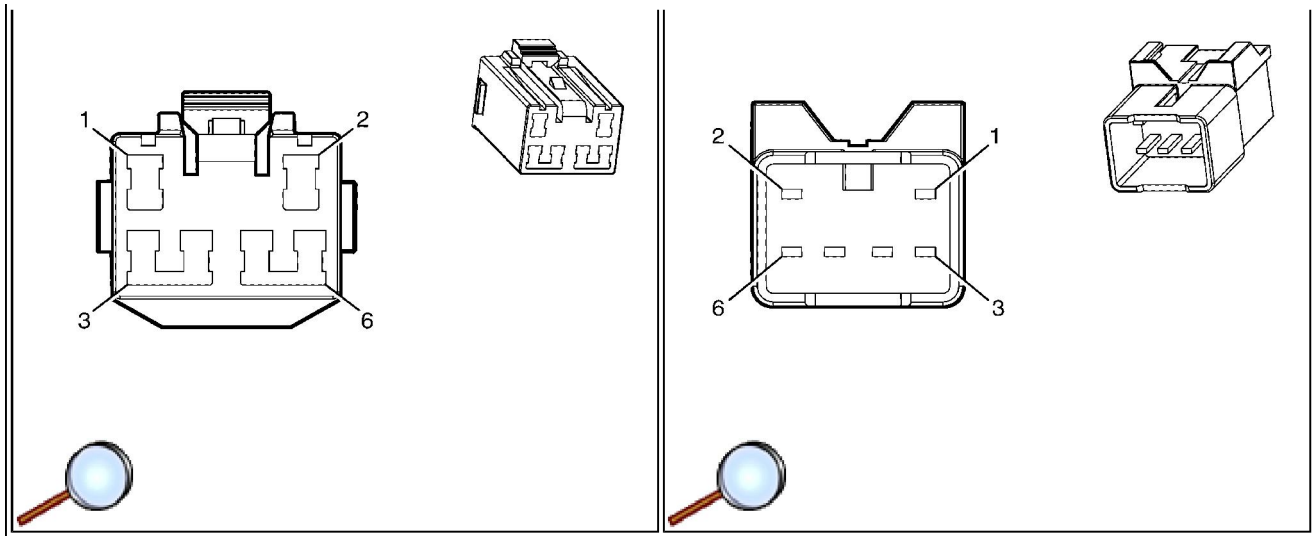
- | Terminal/Tray: See Terminal Repair Kit
- | Core/Insulation Crimp: See Terminal Repair Kit
- | Release Tool/Test Probe: See Terminal Repair Kit

X450 Rear Body Harness to the Right Rear Tail Lamp Assembly

Pin	Wire Color	Circuit No.	Function	Pin	Wire Color	Circuit No.	Function
1	0.85 BK/WH	1851	Ground	1	0.85 BK/WH	1851	Ground
2	0.85 BK	1850	Ground	2	0.85 BK	1850	Ground
3	0.85 BN/WH	709	Right Park Lamp Supply Voltage	3	0.85 BN/WH	709	Right Park Lamp Supply Voltage
4	0.85 L-BU	20	Stop Lamp Supply Voltage	4	0.85 L-BU	20	Stop Lamp Supply Voltage
5	0.85 L-GN	24	Backup Lamp Supply Voltage	5	0.85 L-GN	24	Backup Lamp Supply Voltage
6	0.85 D-GN/WH	1334	Right Rear Turn Signal Lamp Supply Voltage	6	0.85 D-GN/WH	1334	Right Rear Turn Signal Lamp Supply Voltage

X451 Rear Body Harness to the Left Rear Tail Lamp Assembly

--	--



Connector Part Information

- | OEM: 7283-0637
- | Service: See Catalog
- | Description: 6-Way F 090 Series (WH)

Terminal Part Information

- | Terminal/Tray: See Terminal Repair Kit
- | Core/Insulation Crimp: See Terminal Repair Kit
- | Release Tool/Test Probe: See Terminal Repair Kit

Connector Part Information

- | OEM: 936268-1
- | Service: See Catalog
- | Description: 6-Way M (WH)

Terminal Part Information

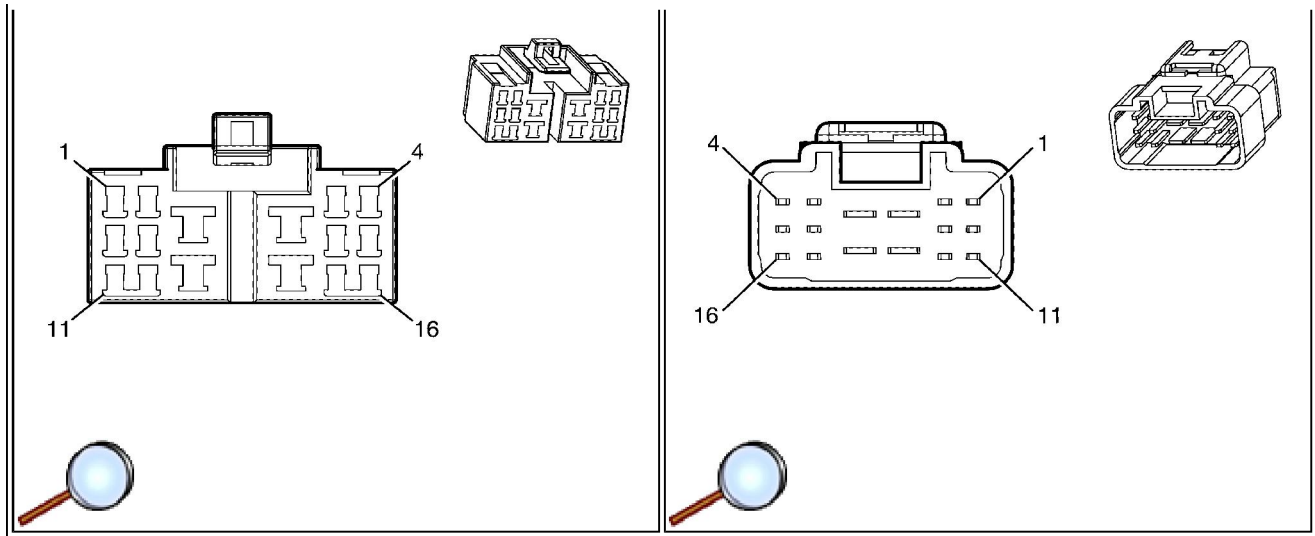
- | Terminal/Tray: See Terminal Repair Kit
- | Core/Insulation Crimp: See Terminal Repair Kit
- | Release Tool/Test Probe: See Terminal Repair Kit

X451 Rear Body Harness to the Left Rear Tail Lamp Assembly

Pin	Wire Color	Circuit No.	Function	Pin	Wire Color	Circuit No.	Function
1	0.3 BK/WH	1851	Ground	1	0.3 BK/WH	1851	Ground
2	0.85 BK	1850	Ground	2	0.85 BK	1850	Ground
3	0.85 PU	309	Left Park Lamp Supply Voltage	3	0.85 PU	309	Left Park Lamp Supply Voltage
4	0.85 L-BU	20	Stop Lamp Supply Voltage	4	0.85 L-BU	20	Stop Lamp Supply Voltage
5	0.85 L-GN	24	Backup Lamp Supply Voltage	5	0.85 L-GN	24	Backup Lamp Supply Voltage
6	0.85 YE/BK	1335	Left Rear Turn Signal Lamp Supply Voltage	6	0.85 YE/BK	1335	Left Rear Turn Signal Lamp Supply Voltage

X500 Body Harness to the Left Front Door Harness

--	--



Connector Part Information

- | OEM: 7283-1168
- | Service: See Catalog
- | Description: 16-Way F (WH)

Terminal Part Information

- | Pins: 1, 2, 5, 6, 9, 11, 12, 15
- | Terminal/Tray: 7116-4020/11
- | Core/Insulation Crimp: E/C
- | Release Tool/Test Probe: 15315247/J-35616-19 (BK)

- | Pins: 4, 10
- | Terminal/Tray: 7114-4021/10
- | Core/Insulation Crimp: 2/A
- | Release Tool/Test Probe: 15315247/J-35616-19 (BK)

- | Pin: 7
- | Terminal/Tray: 7114-4030/11
- | Core/Insulation Crimp: E/A
- | Release Tool/Test Probe: 12094430/J-35616-41 (BU)

- | Pins: 8, 14
- | Terminal/Tray: 7114-4032/11
- | Core/Insulation Crimp: 4/B
- | Release Tool/Test Probe: 12094430/J-35616-41 (BU)

Connector Part Information

- | OEM: 7282-1168
- | Service: See Catalog
- | Description: 16-Way M 090 II Series (WH)

Terminal Part Information

- | Pins: 1, 2, 5, 6, 9, 11, 12, 15
- | Terminal/Tray: 7114-4020/10
- | Core/Insulation Crimp: E/C
- | Release Tool/Test Probe: 15315247/J-35616-19 (BK)

- | Pins: 4, 10
- | Terminal/Tray: 7114-4021/10
- | Core/Insulation Crimp: E/A
- | Release Tool/Test Probe: 15315247/J-35616-19 (BK)

- | Pin: 7
- | Terminal/Tray: 7114-4030/11
- | Core/Insulation Crimp: E/A
- | Release Tool/Test Probe: 12094430/J-35616-41 (BU)

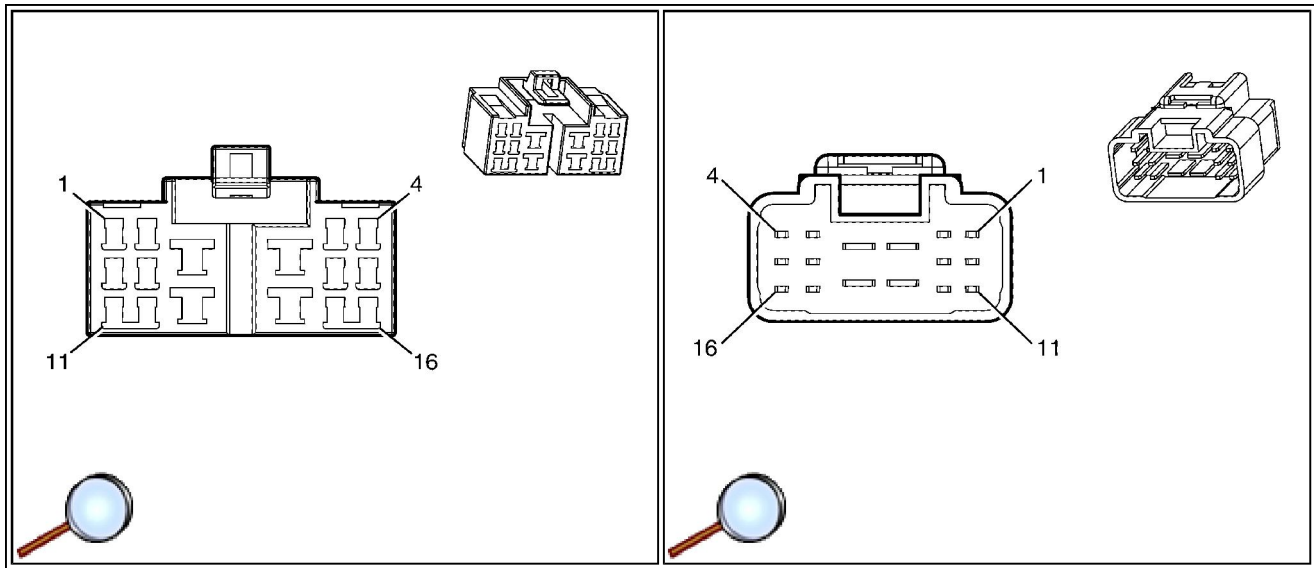
- | Pins: 8, 14
- | Terminal/Tray: 7114-4032/11
- | Core/Insulation Crimp: 4/B
- | Release Tool/Test Probe: 12094430/J-35616-41 (BU)

X500 Body Harness to the Left Front Door Harness

Pin	Wire Color	Circuit No.	Function	Pin	Wire Color	Circuit No.	Function

1	0.5 WH	7391	Power Window Switch Right and Up	1	0.5 WH	7391	Power Window Switch Right and Up
	0.5 D-GN	1301	Rap (X) Fuse Supply Voltage (WNB)		0.5 D-GN	1301	Rap (X) Fuse Supply Voltage (WNB)
2	0.3 BN/WH	746	Passenger Door Ajar Switch Signal	2	0.3 BN/WH	746	Passenger Door Ajar Switch Signal
3	--	--	Not Used	3	--	--	Not Used
4	0.75 BN/RD	294	Driver Door Lock Actuator Unlock Control	4	0.75 BN/RD	294	Driver Door Lock Actuator Unlock Control
5	0.5 WH/BK	81	Power Window Master Switch Left Front Up Signal	5	0.5 WH/BK	81	Power Window Master Switch Left Front Up Signal
	0.5 BN/RD	1300	Power Window Master Switch Left Front Up Signal (WNB)		0.5 BN/RD	1300	Power Window Master Switch Left Front Up Signal (WNB)
6	0.5 BN	201	Left Front Speaker Output (+) (UW5)	6	0.5 BN	201	Left Front Speaker Output (+) (UW5)
	0.5 TN	201	Left Front Speaker Output (+) (without UW5)		0.5 TN	201	Left Front Speaker Output (+) (without UW5)
7	0.5 BK	2050	Ground	7	0.5 BK	2050	Ground
8	2 D-BU	164	Power Window Motor Left Front Up Control	8	2 D-BU	164	Power Window Motor Left Front Up Control
9	--	--	Not Used	9	--	--	Not Used
10	0.75 D-GN/WH	295	Door Lock Actuator Lock Control	10	0.75 D-GN/WH	295	Door Lock Actuator Lock Control
11	0.5 L-GN/BK	89	Power Window Master Switch Left Front Down Signal (without A45)	11	0.5 L-GN/BK	89	Power Window Master Switch Left Front Down Signal (without A45)
	0.5 GY/BU	1136	Power Window Master Switch Left Front Down Signal (WNB)		0.5 GY/BU	1136	Power Window Master Switch Left Front Down Signal (WNB)
	0.5 PK/WH	889	Memory Mirror Voltage (A45)		0.5 PK/WH	889	Memory Mirror Voltage (A45)
12	0.5 GY	118	Left Front Speaker Output (-)	12	0.5 GY	118	Left Front Speaker Output (-)
13	0.5 RD/WH	1540	Battery Positive Voltage	13	0.5 RD/WH	1540	Battery Positive Voltage
14	2 BN/OG	165	Power Window Motor Left Front Down Control	14	2 BN/OG	165	Power Window Motor Left Front Down Control
15-16	--	--	Not Used	15-16	--	--	Not Used

X600 Body Harness to the Right Front Door Harness



Connector Part Information

- | OEM: 7283-1168
- | Service: See Catalog
- | Description: 16-Way F 090 II Series (WH)

Terminal Part Information

- | Pins: 1, 2, 5, 6, 11, 12
- | Terminal/Tray: 7116-4020/11
- | Core/Insulation Crimp: E/C
- | Release Tool/Test Probe: 15315247/J-35616-18 (BK)

- | Pins: 4, 10
- | Terminal/Tray: 7116-4021/11
- | Core/Insulation Crimp: 2/A
- | Release Tool/Test Probe: 15315247/J-35616-18 (BK)

- | Pin: 7
- | Terminal/Tray: 7116-4031/11
- | Core/Insulation Crimp: C/E/A
- | Release Tool/Test Probe: 12094430/J-35616-40 (BU)

- | Pins: 8, 14
- | Terminal/Tray: 7116-4032/11
- | Core/Insulation Crimp: 4/B
- | Release Tool/Test Probe: 12094430/J-35616-40 (BU)

Connector Part Information

- | OEM: 7282-1168
- | Service: See Catalog
- | Description: 16-Way M (WH)

Terminal Part Information

- | Pins: 1, 2, 5, 6, 11, 12
- | Terminal/Tray: 7114-4020/10
- | Core/Insulation Crimp: E/C
- | Release Tool/Test Probe: 15315247/J-35616-19 (BK)

- | Pins: 4, 10
- | Terminal/Tray: 7114-4021/10
- | Core/Insulation Crimp: E/A
- | Release Tool/Test Probe: 15315247/J-35616-19 (BK)

- | Pin: 7
- | Terminal/Tray: 7114-4031/11
- | Core/Insulation Crimp: E/A
- | Release Tool/Test Probe: 12094430/J-35616-41 (BU)

- | Pins: 8, 14
- | Terminal/Tray: 7114-4032/11
- | Core/Insulation Crimp: 4/B
- | Release Tool/Test Probe: 12094430/J-35616-41 (BU)

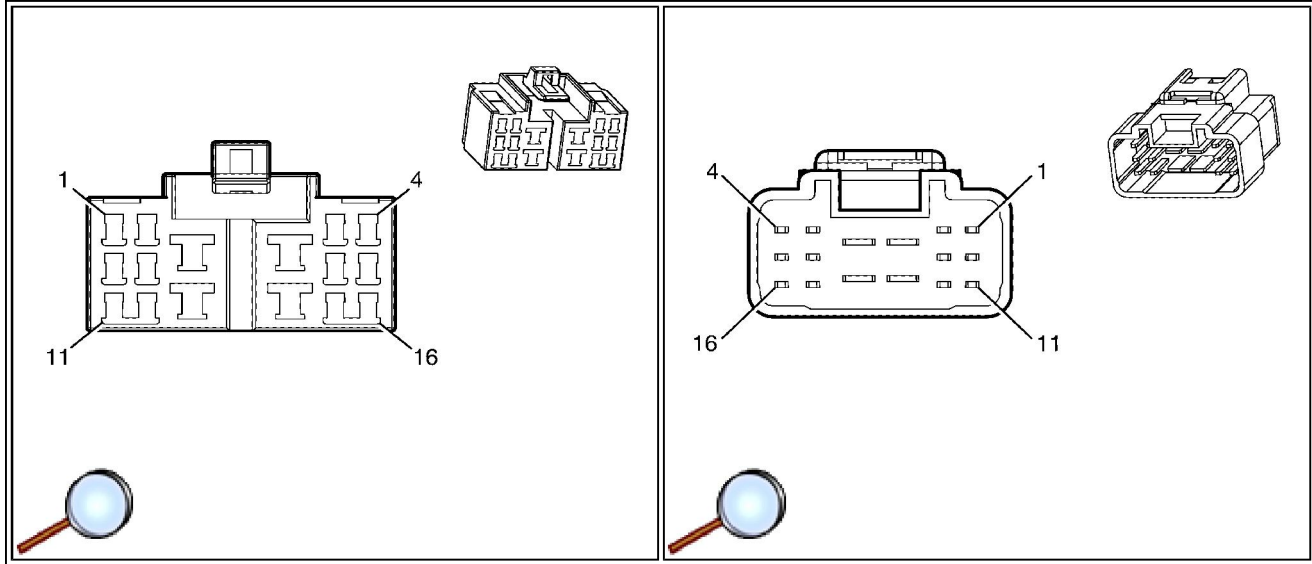
X600 Body Harness to the Right Front Door Harness

Pin	Wire Color	Circuit No.	Function	Pin	Wire Color	Circuit No.	Function
-----	------------	-------------	----------	-----	------------	-------------	----------

1		7391	Power Window Switch Right and Up (without A45)	1		7391	Power Window Switch Right and Up (without A45)
	0.5 WH	2851	Memory Mirror Ground (A45)		0.5 WH	2851	Memory Mirror Ground (A45)
	0.5 D-GN	1301	Rap (X) Fuse Supply Voltage		0.5 D-GN	1301	Rap (X) Fuse Supply Voltage
2	0.3 GY/BK	745	Right Front Door Ajar Switch Signal	2	0.3 GY/BK	745	Right Front Door Ajar Switch Signal
3	--	--	Not Used	3	--	--	Not Used
4	0.75 BN/RD	694	Driver Door Lock Actuator Unlock Control	4	0.75 BN/RD	694	Driver Door Lock Actuator Unlock Control
5	0.5 OG/WH	881	Power Window Master Switch Right Front Up Signal	5	0.5 OG/WH	881	Power Window Master Switch Right Front Up Signal
	0.5 L-BU	166	Power Window Master Switch Right Front Up Signal (WNB)		0.5 L-BU	166	Power Window Master Switch Right Front Up Signal (WNB)
6	0.5 L-GN/BK	200	Right Front Speaker Output (+) (UW5)	6	0.5 L-GN/BK	200	Right Front Speaker Output (+) (UW5)
	0.5 L-GN	200	Right Front Speaker Output (+) (without UW5)		0.5 L-GN	200	Right Front Speaker Output (+) (without UW5)
7	0.5 BK	1350	Ground	7	0.5 BK	1350	Ground
8	2 BU/WH	666	Power Window Motor Right Front Up Control	8	2 BU/WH	666	Power Window Motor Right Front Up Control
9	0.3 PK/BK	780	Driver Door Lock Switch Lock Signal	9	0.3 PK/BK	780	Driver Door Lock Switch Lock Signal
10	0.75 D-GN/WH	295	Door Lock Actuator Lock Control	10	0.75 D-GN/WH	295	Door Lock Actuator Lock Control
11	0.5 PU/WH	889	Power Window Master Switch Right Front Down Signal (without A45)	11	0.5 PU/WH	889	Power Window Master Switch Right Front Down Signal (without A45)
	0.5 PK/WH	6839	Memory Mirror Voltage (A45)		0.5 PK/WH	6839	Memory Mirror Voltage (A45)
	0.5 D-GN/WH	167	Power Window Master Switch Right Front Down Signal (WNB)		0.5 D-GN/WH	167	Power Window Master Switch Right Front Down Signal (WNB)
12	0.5 D-GN	117	Right Front Speaker Output (-)	12	0.5 D-GN	117	Right Front Speaker Output (-)
13	0.5 RD/WH	1540	Battery Positive Voltage	13	0.5 RD/WH	1540	Battery Positive Voltage
14	2 BN	667	Power Window Motor Right Front Down Control	14	2 BN	667	Power Window Motor Right Front Down Control
			Driver Door Lock				Driver Door Lock

15	0.3 PK	781	Switch Unlock Signal	15	0.3 PK	781	Switch Unlock Signal
16	--	--	Not Used	16	--	--	Not Used

X700 Body Harness to the Left Rear Door Harness



Connector Part Information

- | OEM: 7283-1168
- | Service: See Catalog
- | Description: 16-Way F 090 II Series (WH)

Terminal Part Information

- | Pins: 2, 6, 12
- | Terminal/Tray: 7116-4020/11
- | Core/Insulation Crimp: E/C
- | Release Tool/Test Probe: 15315247/J-35616-18 (BK)

- | Pins: 4, 10
- | Terminal/Tray: 7116-4021/11
- | Core/Insulation Crimp: 2/A
- | Release Tool/Test Probe: 15315247/J-35616-18 (BK)

- | Pin: 7
- | Terminal/Tray: 7116-4031/11
- | Core/Insulation Crimp: C/E/A
- | Release Tool/Test Probe: 12094430/J-35616-40 (BU)

- | Pins: 8, 13, 14
- | Terminal/Tray: 7116-4032/11
- | Core/Insulation Crimp: 4/B

Connector Part Information

- | OEM: 7282-1168
- | Service: See Catalog
- | Description: 16-Way M 090 II Series (WH)

Terminal Part Information

- | Pins: 2, 6, 12
- | Terminal/Tray: 7114-4020/10
- | Core/Insulation Crimp: E/C
- | Release Tool/Test Probe: 15315247/J-35616-19 (BK)

- | Pins: 4, 10
- | Terminal/Tray: 7114-4021/10
- | Core/Insulation Crimp: E/A
- | Release Tool/Test Probe: 15315247/J-35616-19 (BK)

- | Pins: 7
- | Terminal/Tray: 7114-4031/11
- | Core/Insulation Crimp: E/A
- | Release Tool/Test Probe: 12094430/J-35616-41 (BU)

- | Pins: 8, 13, 14
- | Terminal/Tray: 7114-4032/11
- | Core/Insulation Crimp: 4/B

Release Tool/Test Probe: 12094430/J-35616-40 (BU)

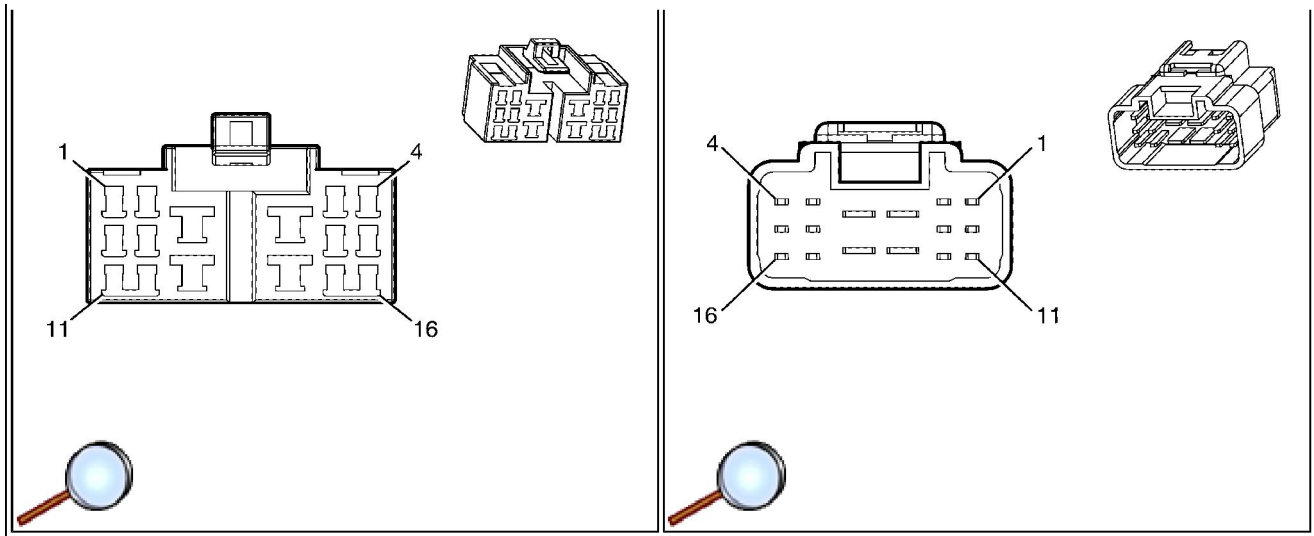
Release Tool/Test Probe: 12094430/J-35616-41 (BU)

X700 Body Harness to the Left Rear Door Harness

Pin	Wire Color	Circuit No.	Function	Pin	Wire Color	Circuit No.	Function
1	--	--	Not Used	1	--	--	Not Used
2	0.5 BN/WH	746	Right Front Door Ajar Switch Signal	2	0.5 BN/WH	746	Right Front Door Ajar Switch Signal
3	--	--	Not Used	3	--	--	Not Used
4	1.25 BN/RD	294	Driver Door Lock Actuator Unlock Control	4	0.75 BN/RD	294	Driver Door Lock Actuator Unlock Control
5	--	--	Not Used	5	--	--	Not Used
6	0.5 BN	199	Left Rear Speaker Output (+)	6	0.5 BN	199	Left Rear Speaker Output (+)
7	0.5 BK	2050	Ground	7	0.5 BK	2050	Ground
8	2 D-GN	168	Power Window Master Switch Left Rear Up Signal	8	2 D-GN	168	Power Window Master Switch Left Rear Up Signal
9	--	--	Not Used	9	--	--	Not Used
10	1.25 D-GN/WH	295	Door Lock Actuator Lock Control	10	0.75 D-GN/WH	295	Door Lock Actuator Lock Control
11	0.5 D-BU/WH	149	Courtesy Lamp Supply Voltage	11	0.5 D-BU/WH	149	Courtesy Lamp Supply Voltage
12	0.5 YE/RD	116	Left Rear Speaker Output (-)	12	0.5 YE/RD	116	Left Rear Speaker Output (-)
13	2 D-BU	1307	Power Window Master Switch Lockout Control	13	2 D-BU	1307	Power Window Master Switch Lockout Control
14	2 PU	169	Power Window Master Switch Left Rear Down Signal	14	2 PU	169	Power Window Master Switch Left Rear Down Signal
15-16	--	--	Not Used	15-16	--	--	Not Used

X800 Body Harness to the Right Rear Door Harness

--	--



Connector Part Information

- | OEM: 7283-1168
- | Service: See Catalog
- | Description: 16-Way F (WH)

Terminal Part Information

- | Pins: 2, 6, 12
- | Terminal/Tray: 7116-4020/11
- | Core/Insulation Crimp: E/C
- | Release Tool/Test Probe: 15315247/J-35616-18 (BK)

- | Pins: 4, 10
- | Terminal/Tray: 7116-4021/11
- | Core/Insulation Crimp: 2/A
- | Release Tool/Test Probe: 15315247/J-35616-18 (BK)

- | Pin: 7
- | Terminal/Tray: 7116-4031/11
- | Core/Insulation Crimp: C/E/A
- | Release Tool/Test Probe: 12094430/J-35616-40 (BU)

- | Pins: 8, 13, 14
- | Terminal/Tray: 7116-4032/11
- | Core/Insulation Crimp: 4/B
- | Release Tool/Test Probe: 12094430/J-35616-40 (BU)

Connector Part Information

- | OEM: 7282-1168
- | Service: See Catalog
- | Description: 16-Way M (WH)

Terminal Part Information

- | Pins: 4, 10
- | Terminal/Tray: 7116-4021/11
- | Core/Insulation Crimp: 2/A
- | Release Tool/Test Probe: 15315247/J-35616-18 (BK)

- | Pin: 7
- | Terminal/Tray: 7116-4031/11
- | Core/Insulation Crimp: C/E/A
- | Release Tool/Test Probe: 12094430/J-35616-40 (BU)

- | Pins: 8, 13, 14
- | Terminal/Tray: 7116-4032/11
- | Core/Insulation Crimp: 4/B
- | Release Tool/Test Probe: 12094430/J-35616-40 (BU)

X800 Body Harness to the Right Rear Door Harness

Pin	Wire Color	Circuit No.	Function	Pin	Wire Color	Circuit No.	Function
1	--	--	Not Used	1	--	--	Not Used

2	0.3 BN/WH	746	Passenger Door Ajar Switch Control	2	0.3 BN/WH	746	Right Front Door Ajar Switch Signal
3	--	--	Not Used	3	--	--	Not Used
4	1.25 BN/RD	294	Driver Door Lock Actuator Unlock Control	4	0.75 BN/RD	294	Driver Door Lock Actuator Unlock Control
5	--	--	Not Used	5	--	--	Not Used
6	0.5 D-BU	46	Right Rear Speaker Output (+)	6	0.5 D-BU	46	Base: Right Rear Speaker Output (+)
7	0.5 BK	1350	Ground	7	0.5 BK	1350	Ground
8	2 L-GN	170	Power Window Master Switch Right Rear Up Signal	8	2 L-GN	170	Power Window Master Switch Right Rear Up Signal
9	--	--	Not Used	9	--	--	Not Used
10	1.25 D- GN/WH	295	Door Lock Actuator Lock Control	10	0.75 D- GN/WH	295	Door Lock Actuator Lock Control
11	0.5 D- BU/WH	149	Courtesy Lamp Supply Voltage	11	0.5 D- BU/WH	149	Courtesy Lamp Supply Voltage
12	0.5 L-BU	115	Right Rear Speaker Output (-)	12	0.5 L-BU	115	Right Rear Speaker Output (-)
13	2 D-BU	1307	Power Window Master Switch Lockout Control	13	2 D-BU	1307	Power Window Master Switch Lockout Control
14	2 PU/WH	171	Power Window Master Switch Right Rear Down Signal	14	2 PU	171	Power Window Master Switch Right Rear Down Signal
15- 16	--	--	Not Used	15- 16	--	--	Not Used