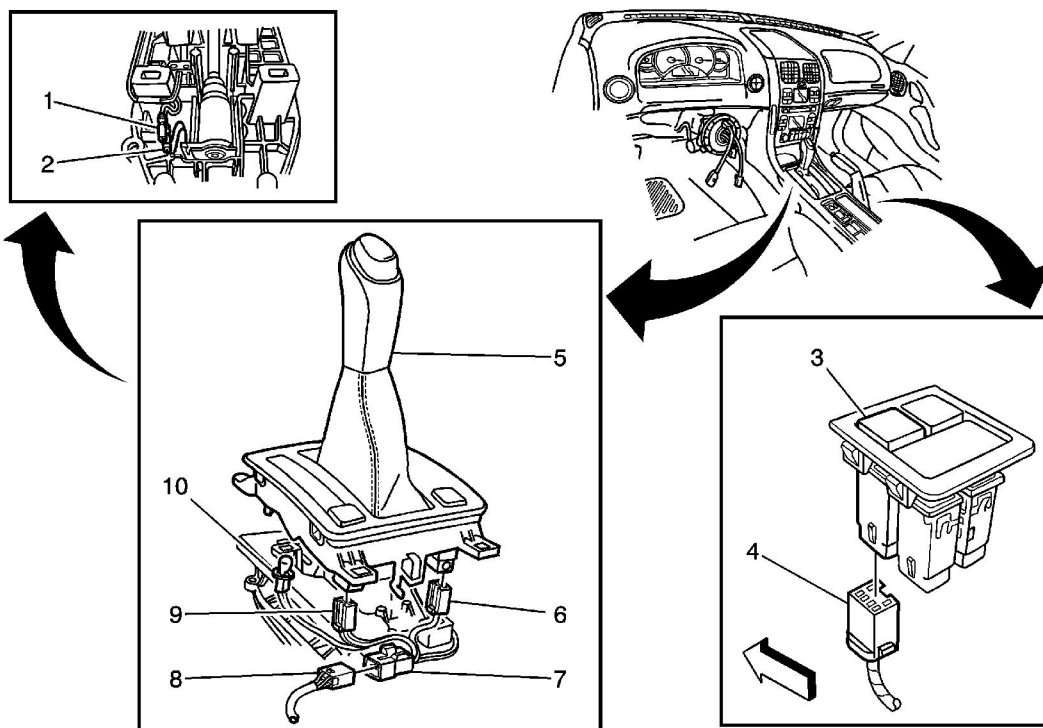


Shifter Connectors



- (1) Automatic Transmission Shift Lock Park Terminal Connector
- (2) Automatic Transmission Shift Lock Park Terminal Connector
- (3) Electronic Traction Control Switch
- (4) Electronic Traction Control Switch Connector (Manual Trans)
- (5) PRNDL Selector
- (6) Automatic Transmission Shift Program Connector
- (7) Transmission Selector Harness to Engine Main Harness Connector
- (8) Engine Main Harness Connector to Transmission Selector Harness
- (9) Electronic Traction Control Switch Connector (Automatic Transmission)
- (10) Automatic Transmission Control Position Indicator Lamp Connector